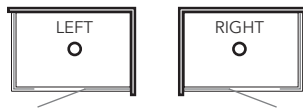




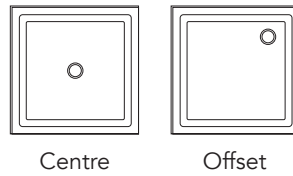
**FEATURES**

- 65mm Sill Height with 30mm Upstand
- Heavy Duty Reinforced Fiberglass Construction
- Anti-Slip Acrylic
- 10 Year Warranty

**CONFIGURATIONS**



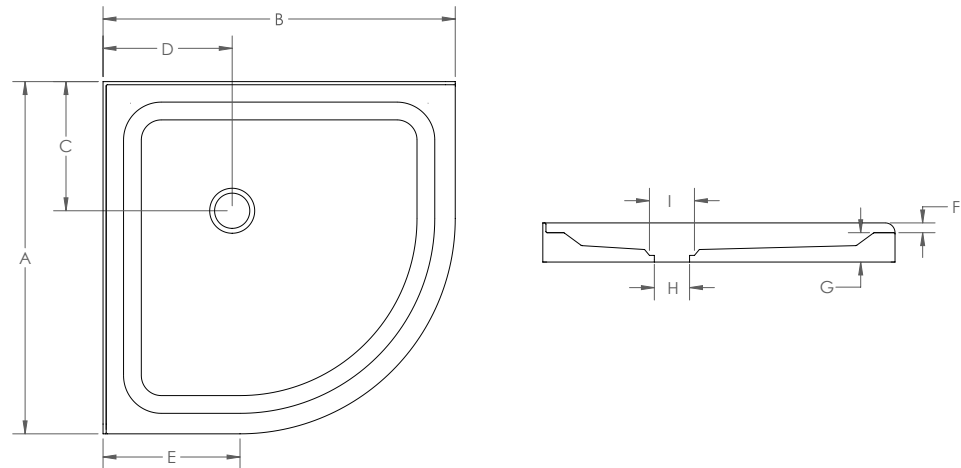
**WASTE OPTIONS**



**SIZES**

900 x 900mm  
1000 x 1000mm

**SPECIFICATIONS**



	A	B	C	D	E	F	G	H	I
900 x 900 Centre	900	900	330	330	350	30	65	90	115
900 x 900 Offset	900	900	150	150	350	30	65	90	115
1000 x 1000 Centre	1000	1000	450	450	450	30	65	90	115
1000 x 1000 Offset	1000	1000	150	150	450	30	65	90	115

# PRODUCT INFORMATION

## DESCRIPTION

Stein acrylic shower trays are made using heavy duty reinforced fiberglass acrylic. Standard profile trays are 75mm high featuring a 30mm upstand. When installed, the wall lining comes down over the upstand, forming a waterproof seal with no visible silicone in the shower.

Low profile trays are designed with a sill height of 40mm and an upstand of 40mm. These trays feature the AquaCHECK™ technology across the top of the tray upstand that combines to provide an anti-capillary gap. There is no provision for water tension to elevate the liquid up behind the acrylic liner.

Stein acrylic trays are suitable for use in 2-Sided, Alcove, Curved and Neo shower enclosures. They are available in a range of standard sizes from 750x750mm up to 1500x915mm.

## CONTRIBUTIONS TO COMPLIANCE

B2.3.1 (c) (i) and (ii) and B2.3.2 (b): Stein Acrylic Trays have a durability of 10 years when maintenance standards are adhered to. Trays are installed as components of a building system and can be replaced without removing building elements that have greater durability. Refer to installation guides and Aftercare Document for further information.

G1.1 (a) and G1.3.2: Stein Acrylic Trays are made from easy clean, anti-slip acrylic. Regular cleaning routines to maintain hygienic standards are outlined in Aftercare and Maintenance document. Trays have adequate disposal via waste outlets, refer to installation manual for further information.

## SCOPE OF USE

Stein Acrylic Shower Trays are intended for use in the following environments:

- Domestic and commercial bathrooms, including homes, government housing, hotels, apartments.
- Suitable for use with cold and hot water.
- Tray systems are compatible with other plumbing fittings manufactured to NZS 3501.
- Used on a level floor surface prepared as per installation instructions.

## WARNINGS AND BANS

This product is not subject to warning or bans under section 26 of the Building Act 2004.

## CONTACT DETAILS

Location: NZ for Local and Imported Products

Legal and Trading Name of Manufacturer:  
Newline Group Ltd

Importer Address for Service:  
54 Unutoto Place, Tauranga, 3171

Importer Website: [stein.nz](http://stein.nz)

Importer Email: [sales@stein.co.nz](mailto:sales@stein.co.nz)

Importer Phone Number: 0800 002 299

## CONDITIONS OF USE

- Stein acrylic trays are intended for use under regulated water temperature that does not exceed 55 degrees Celsius.
- Must be installed in accordance with Stein Acrylic Wall and Tray Installation Manual.
- Cleaning products including bleaches, solvents, alcohol, citrus based chemicals, bath oils, and/or any abrasive cleaner shouldn't be used. Full list is outlined in Aftercare Document.
- Should be installed by an experienced shower installer or tradesman to ensure best outcome.

## SUPPORTING DOCUMENTATION

The following additional documentation supports the above statements:

[Aftercare and Maintenance](#)

[Warranty Information](#)

[Acrylic Liner Instruction Manual](#)