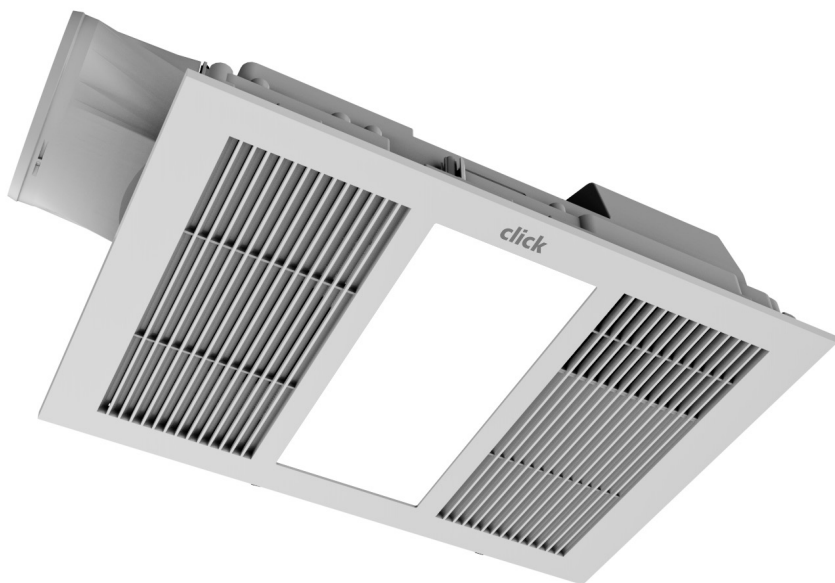


click[®]

4 IN 1 FAN, HEATER, EXHAUST WITH LED LIGHT

2000W CERAMIC HEATER



INSTRUCTION MANUAL

Item No. 0859357

IMPORTANT SAFEGUARDS

When using electrical appliances, in order to reduce the risk of fire, electric shock, and/or injury to persons, basic safety precautions should always be followed, including:

FOR YOUR SAFETY

When using this appliance, below safety precautions should always be followed.

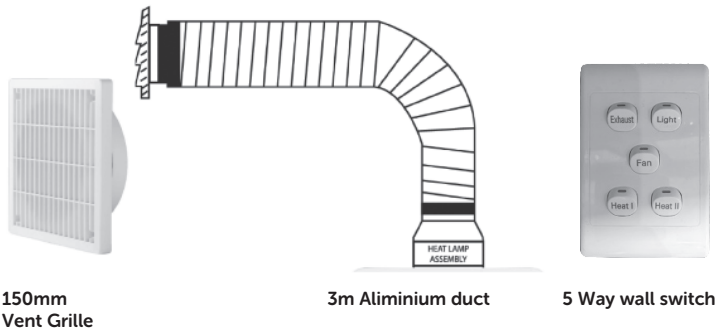
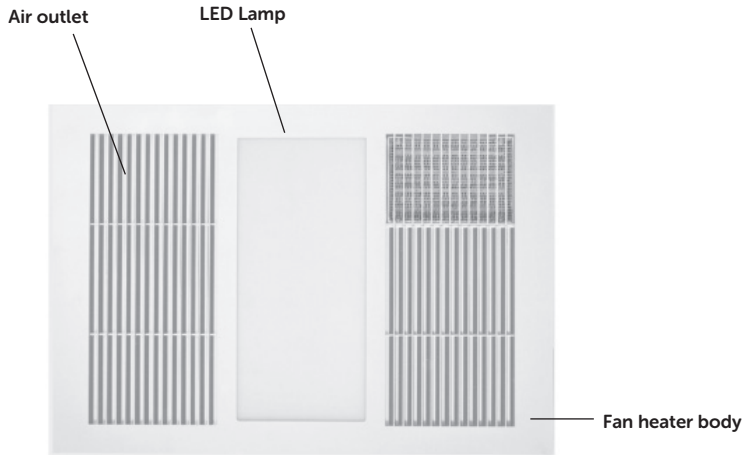
- Dangerous high voltages are present inside this enclosure. To avoid electric shock, DO NOT open the cabinet, refer servicing to qualified personnel only.
- To protect against fire, electrical shock and injury to persons, do not immerse the unit, plug or cord in water or spray with liquids.
- This Fan heater is not intended for use by persons (including children) with reduced physical, sensory or mental capabilities, or lack of experience and knowledge, unless they have been given supervision or instruction concerning use of the appliance by a person responsible for their safety.
- Children should be supervised to ensure that they do not play with the appliance.
- Ensure that the switch is in the off position when changing the heat lamp (globe) or light globe.
- Ensure the grille is free of objects, dust build up, etc. Make sure that the airflow through the grille is not inhibited.
- Means for disconnection must be incorporated in the fixed wiring, in accordance with the wiring rules.
- Precautions must be taken to prevent the backflow of gases into the room from the open flue of gas or other fuel-burning appliances.
- When cutting the ceiling material, care must be taken to ensure you do not damage electrical wiring and other hidden utilities.
- This bathroom heater is to be installed so that switches or other controls can not be touched by a person in the bath or shower.
- The appliance shall, under no circumstances, be covered with insulating material or similar material.
- Any ventilation holes should not be impeded by covering with items, such as newspaper, paper tablecloths, curtains etc. Slots and opening are provided for ventilation to ensure reliable operation of the product and to protect it from overheating. Never obstruct the air inlet and outlet. Do not use any object to cover this appliance.
- Do not attempt to repair, disassemble or modify the appliance. There are no user-serviceable parts inside. Repairs should only be performed by qualified personnel.
- Do not use if there are visible signs of damage to the heater.
- Do not use this heater if it has been dropped.
- Do not use this heater with a programmer, timer, separate remote-control system or any other device that switches the heater on automatically, since a fire risk exists if the heater is covered or positioned incorrectly.

WARNING: FIRE RISK EXISTS IF THE HEATER IS COVERED BY OR POSITIONED CLOSE TO CURTAINS OR OTHER COMBUSTIBLE MATERIALS.

WARNING: To reduce the risk of fire, keep textiles, curtains, or any other flammable material a minimum distance of 1 m from the air outlet.

CAUTION: In order to avoid a hazard due to inadvertent resetting of the thermal cutout, this appliance must not be supplied through an external switching device, such as a timer, or connected to a circuit that is regularly switched on and off by the utility.

FEATURES OF YOUR 4-IN-1 FAN HEATER



Fixed tie



Screw X 2
(Fixed switch panel)

FITTING INSTRUCTIONS

Thank you for purchasing Fan heater. This product combines Fan heater, an exhaust fan, and a light, to provide gentle Fan heater, clean air and a bright light from one compact, stylish unit. This model allows for exhausting of steam and odours right out of your home. All functions are separately controlled from a supplied switch plate for convenient fingertip control.

You can be assured trouble-free operation by getting your Fan heater carefully installed by a qualified electrician, according to the instructions. Please read all instructions before commencing installation.

The Fan heater can be mounted in any room that requires instant, direct, and Fan heat to ward off winter chills. The light has separate switching, making it suitable for bathrooms, ensuites, toilets, dressing & change rooms.

SUITABILITY

The Fan Heater has been designed especially for cavity type ceilings. Flat roof installation is NOT recommended.

This product must not be mounted in areas subject to direct splashing, and must be mounted in the horizontal position only. Unsuitable for 'cathedral' or 'raked' ceilings.

This product is equipped with a fan heater that uses a ceramic heating element. It is best positioned directly above the area requiring warmth. Before you start, make sure your ceiling has at least 280mm clearance from the roof (see the 'Mounting' diagram).

WHERE TO LOCATE

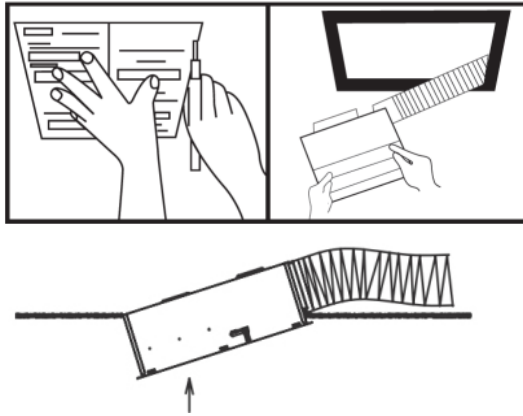
The Fan heater is designed to heat entire rooms. Heat is directed at you for an instant warmth you can feel, The Fan heater should be located over the area where drying off takes place, not directly over a shower or bath. This Heater is not designed to be left on for extended periods of time, as this could cause overheating and premature failure. The Fan heater, should not be covered or installed in situations which restrict the natural ventilation of the units for cooling purposes.

Ceiling insulation should be kept well clear of the units (at least 100mm). For optimum performance, models with exhaust fans should be installed in areas with good ventilation, to enable fresh air to flow into the room. Any restrictions on return air entering the room will impair effectiveness and may contribute to premature failure.

MOUNTING

For the purpose of obtaining best heating effect, from the heater there should be about 2.4m overall height from ground.

1. Mark the ceiling with a pencil outline 520mm x 350 mm. BE SURE TO CHECK ABOVE THE CEILING FOR MINIMUM SPACE OF 280mm (for optimum performance allow 500mm or more clearance) AND THE LOCATION OF CEILING JOISTS. Ensure there is a minimum of 100mm clear space between the Bathroom Heater unit and any ceiling insulation. Make sure distance between edges to the wall is not less than 40mm.



Note: Before commencing cutting ensure that the area behind the intended location is clear of all cables, pipes and joists.

2. Use a saw to cut the section along the drawn lines.
3. Carefully remove the heater and accessories from the plastic bag and carton. Prise up the edge of fascia then take off the fascia. Take the LED plug off the heater unit and remove cover of the terminal and connect the wires according to the diagram. Please assemble the air outlet before mounting the unit into the hole. Connect the ducting if required to the outer grille of the unit. Insert the unit into the square hole being sure to compress the side clips inward so that the body can pass through the hole without damaging the plaster. Rotate the swing clips to hold motor body in place (Figure 1) then tighten screw to let the clip clamp onto the ceiling board. Connect the ducting to the unit if required.

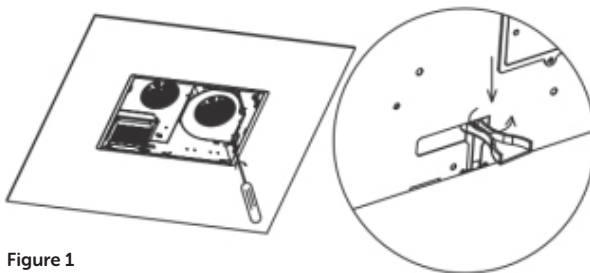
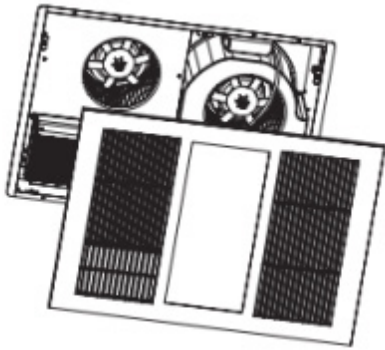


Figure 1

4. Hold the fascia against the body of the heater and the ceiling and attach the securing spring clips to hold the fascia in place.
5. Connect the LED plug to the fascia and push the edge of fascia towards the housing then let clips on fascia fix on the housing.



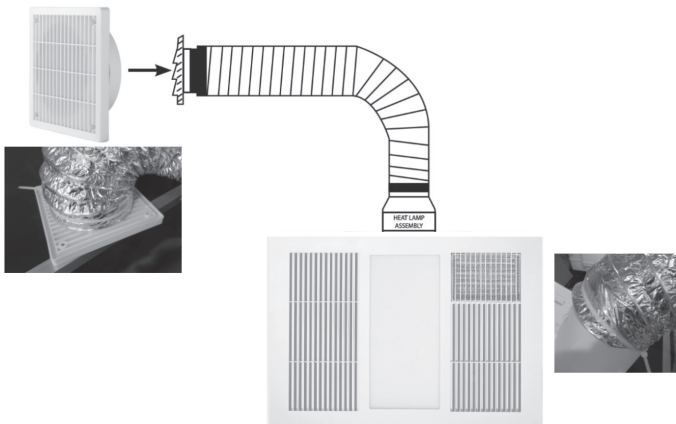
INSTALLING THE DUCT

1. Outlet Louvre: A 150 mm diameter hole is required for the outlet louvre (see template below). Use 4 screws appropriate for the mounting surface to secure it in place.

NOTE: The vent louvres should be facing downwards, preventing water from running into the duct.



2. Duct Connection: Fully extend 3m duct to minimise airflow restrictions then cut to fit components. Use a sharp knife to cut the silver foil and wire cutters for the support coil. Plan the duct-run to be as straight as possible. The fewer obstacles that the duct has to weave around, the better. Do not squash or force duct through tight bends. Inside the house, secure one end of the duct to the outlet of the fan motor housing using the provided tie. Then, attach the other end of the duct to the vent louvres, also using the provided tie.

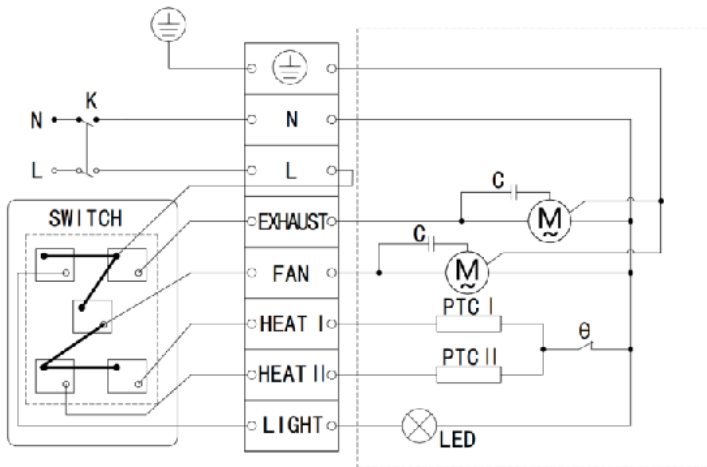


ELECTRICIAN'S WIRING INSTRUCTIONS

Your Fan Heater requires a 220-240 Volt, 50Hz electrical supply. All electrical work must be carried out by a qualified electrician and installed in accordance with relevant Electrical Wiring Regulations. Your new heater comes with all required switches and mounting plates.

HOW TO MAKE CONNECTION

1. Decide the best position for the switch set and mount it. Be sure to click the switches into the backing plate in the desired order beforehand.
2. Connect wiring to switches as shown in the appropriate electrical diagram.
3. Remove screws from terminal cover on the Fan Heater and put aside. Wire according to the label beside the terminal strip. Once the wires are connected, incoming cable must not be pinched or obstructed by the cover. Use appropriate knockouts in terminal cover to accommodate cable before replacing. Screw down firmly.



TEST AND HOW TO USE

After finished the ELECTRICAN'S WIRING, check the power is switched on and all switches activate properly, according to their marked function.

Fan Setting

This switch engages both fan and heater, fan speed can not be altered and will always remain constant. To use this appliance as an air circulator, set the power switch the "Fan" setting.

Heat I Setting

The Heat I setting, powers 1000W to the heater elements. This setting is best suited to less warming to maintain temperature.

Press the switch "Heat I" or "Heat II" to turn On/Off the 1000W setting.

Heat II Setting

The Heat II setting powers full heat (2000W) to the heating elements; delivering rapid warming air to quickly increase the temperature in a given area. Press the switches "Heat I" & "Heat II" together to turn On/Off the 2000W setting.

LED Lamp

The LED light supports three CCT (Correlated Color Temperature) settings. Connect the LED plug, then turn the color temperature switch to your desired setting. Insert the four fascia retaining springs into the corresponding slots on the unit and ensure the fascia is securely fixed. Press the "Light" switch to turn the LED light on or off.

W	N	C
3000K	4000K	5000K

Exhaust Fan

Press the "Exhaust" switch to turn the exhaust fan On/Off. Running the fan can exhaust odours and steam in a quick and efficient way.

NOTE: The Exhaust fan and Fan heater can only be used alone. Simultaneous use can damage the product. NOTE: This product is equipped with thermostat for overheat protection, when temperature exceeds 70°C, the heater will turn off. When cool down the fan heater will function normally again.

NOTE: It is normal when the heaters are turned on for the first time or when they are turned on after having not been used for a long period of time to emit some smell and fumes. This will disappear when the heater has been on for a short while.

Never cover the heater or obstruct the air outlet/inlet, failure to do so could cause overheating and the risk of fire.

CARE AND CLEANING

- Ensure the Click heater is switched off and cool down sufficiently before cleaning.
- Clean away any excess fluff from the inside of the body, motor blade brackets.
- The exhaust fan requires regular cleaning to ensure optimum performance. With the power off, regularly wipe the fan clear of dust and dirt.
- Clean the exhaust ducting kit, ensuring there are no obstructions at the exit.

TECHNICAL SPECIFICATIONS

Power Supply : AC 230-240V~ 50Hz

Total Power Consumption : 2123W

Fan and Heater: 2040W

LED Light: 18W

Exhaust Fan: 65W

NOTE: As a result of continual improvements, the design and specifications of the product within may differ slightly to the unit illustrated on the packaging.

DISPOSAL

Do not dispose of packaging or the product through your household waste!

The product and packaging are made from recyclable materials (plastics, metals, paper).

If the product is no longer suitable for use, dispose of it in an environmentally friendly manner in accordance with your local council.

NOTES

WARRANTY CONDITIONS FOR PURCHASE IN AUSTRALIA & NEW ZEALAND

Thank you for purchasing one of our quality Click products. Please keep your receipt as proof of purchase, as this will authenticate your warranty. Any claim under this warranty must be made within 1 year of the date of purchase of the product. To make a claim under the warranty, take the product (with proof of purchase) to any Bunnings store (see www.bunnings.com.au for store locations).

Bunnings Group Ltd bears reasonable, direct expenses of claiming under the warranty. You may submit details and proof for consideration. The warranty covers manufacturer defects in materials, workmanship and finish under normal use. This warranty is provided in addition to other rights and remedies you may have under law: our goods come with guarantees which cannot be excluded under the Australian Consumer Law or the Consumer Guarantees Act (NZ). You are entitled to replacement or refund for a major failure and to compensation for other reasonably foreseeable loss or damage. You are also entitled to have the goods repaired or replaced if the goods fail to be of acceptable quality and the failure does not amount to a major failure. The warranty excludes damage resulting from product misuse or product neglect. The warranty covers domestic use only and does not apply to commercial applications.

This warranty is given by Bunnings Group Limited.
ABN 26 008 672 179, Botanicca 3, Level 2 East Tower 570 Swan Street, Burnley, VIC 3121,
e-mail: CustomerSupport@bunnings.com.au, PH: 1800 797 586.
Bunnings NZ Limited: PO Box 14436, Panmure Auckland 1741,
email: OnlineEnquiries@bunnings.co.nz PH: 1800 797 586

WARRANTY EXCLUSIONS

Damage to the base or diffuser or any part through accident, misuse or negligence.

