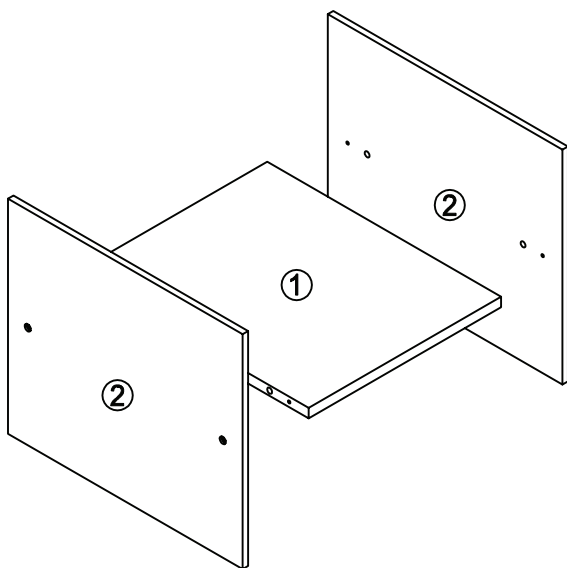
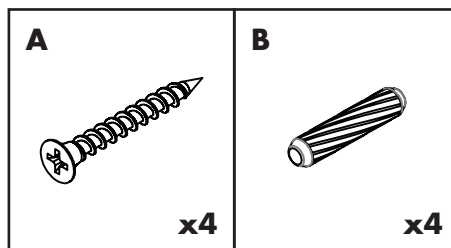


ELEMENT

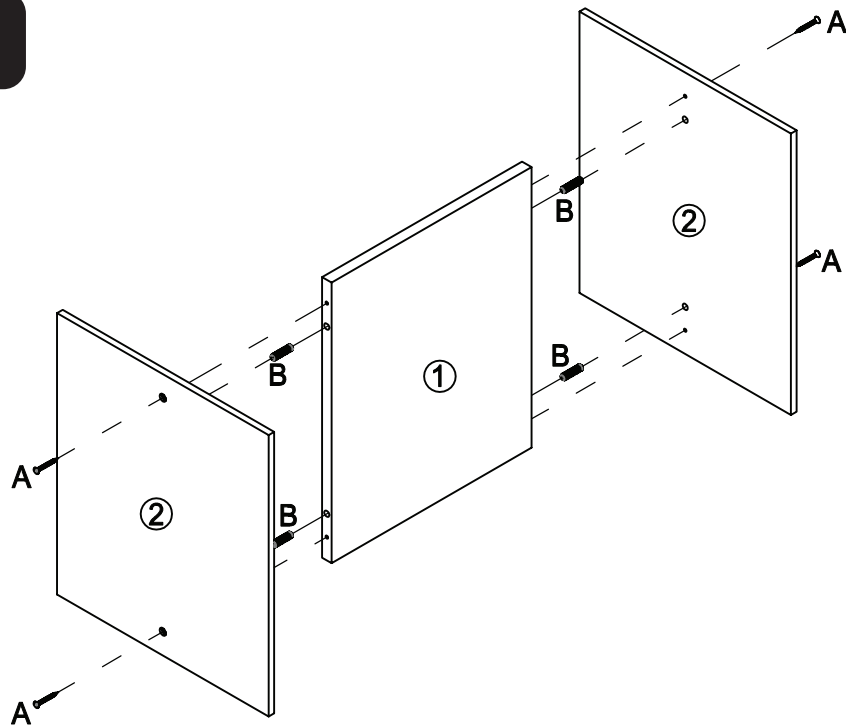


HARDWARE

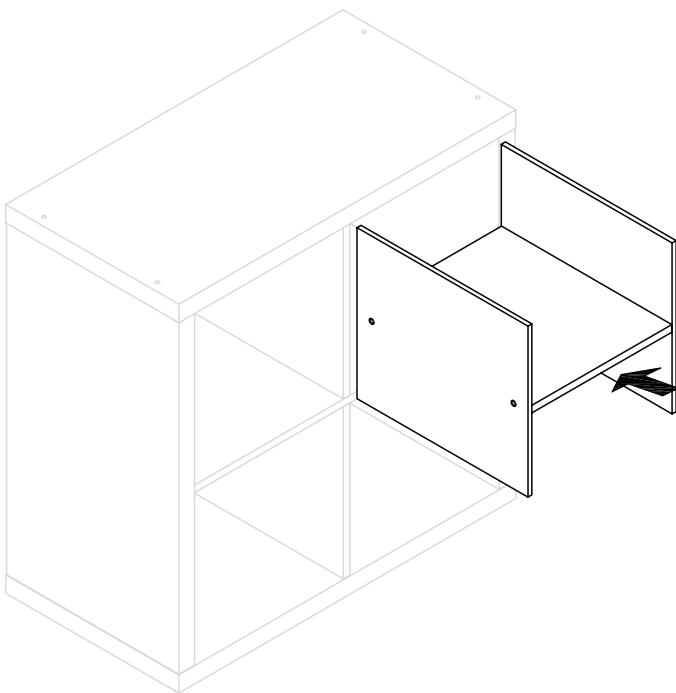


CARE INSTRUCTIONS: We recommend to wipe over with a dry micro-fibre cloth to remove any dust. Avoid using a damp or wet cloth and any cleaning chemicals as this may cause damage to the surface.

STEP 1



STEP 2



STEP 3

