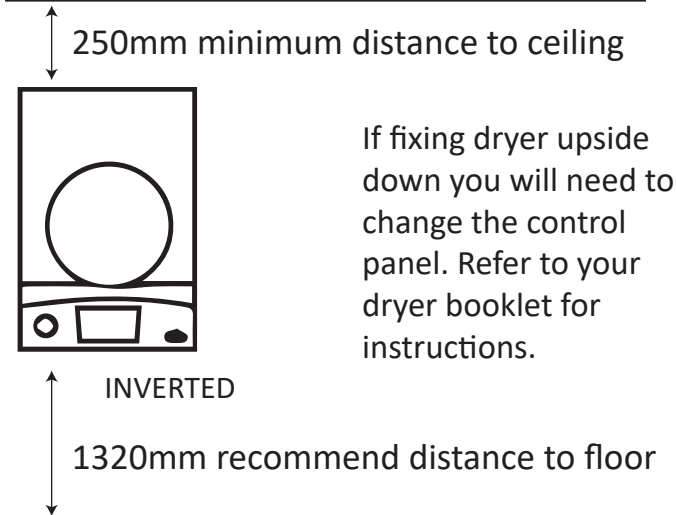


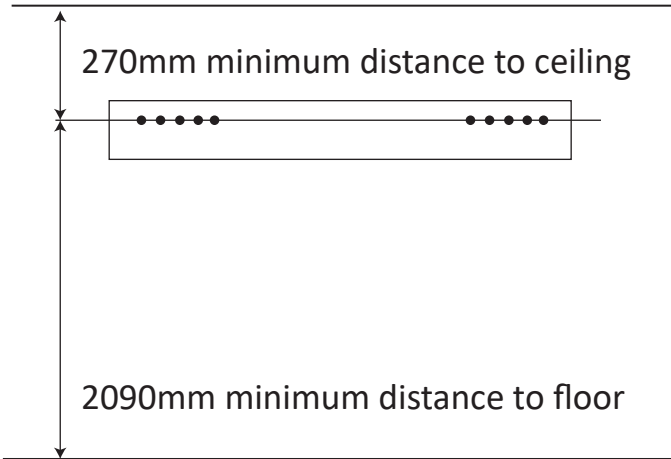
DRYER BRACKET INSTALLATION INSTRUCTIONS



STEP 1: Mounting Position



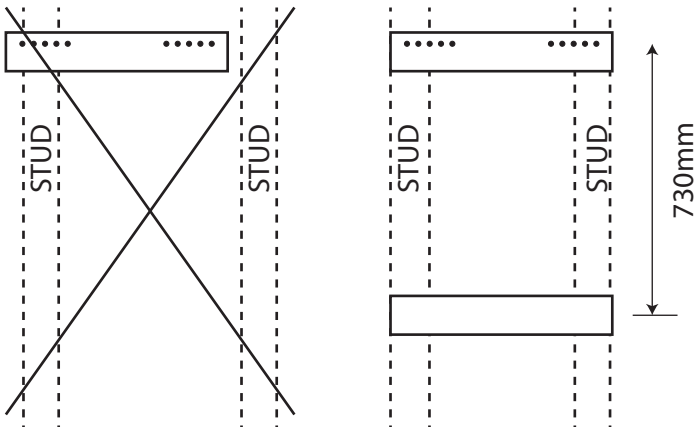
STEP 2: Mark & Drill holes for Fixing



STEP 3: Fastening

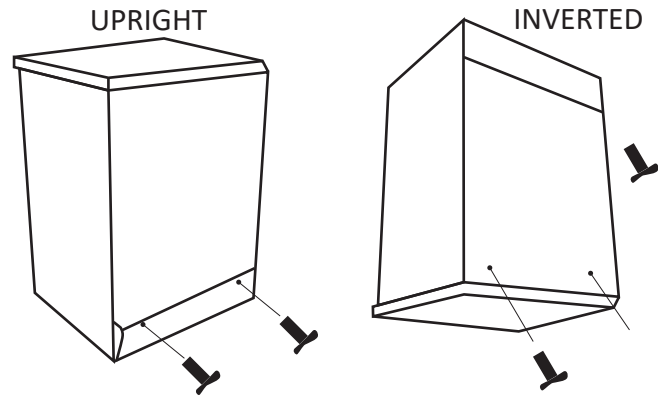
Fasten galvanised bracket to wall using screws provided. Wood screws for timber framed walls. Masonry screws for concrete/brick walls.

STEP 4: Fixing to a Timber Stud



Bracket must be fastened securely at both ends. Fit timber battens to span wall studs if required.

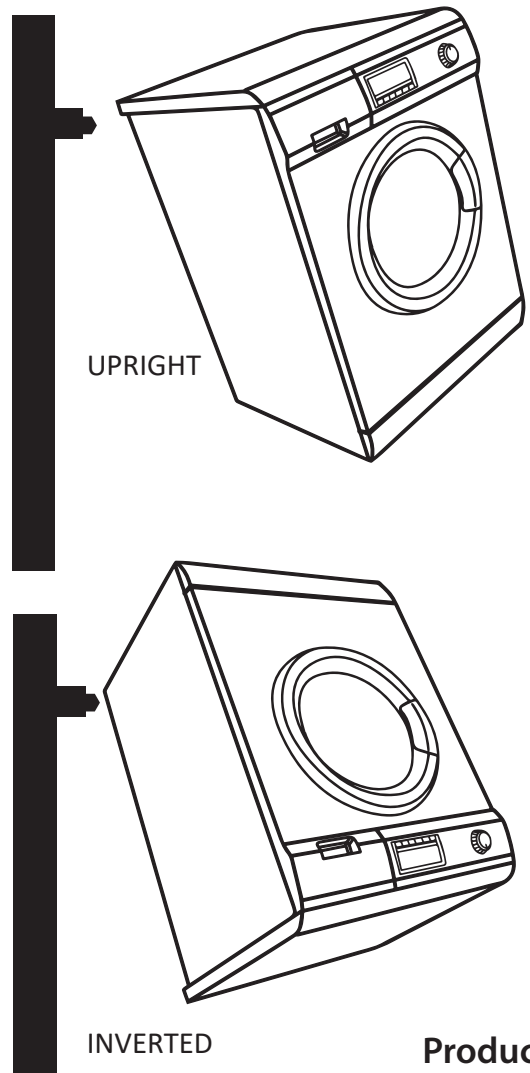
STEP 5: Fit Plastic Spacer Legs



Remove indicated screws on dryer and fit plastic spacer legs with 8gx25mm screws as supplied with kit.

STEP 6: Mounting Dryer to Wall Bracket

More than one person to lift dryer into place.



Product Code:
B01061