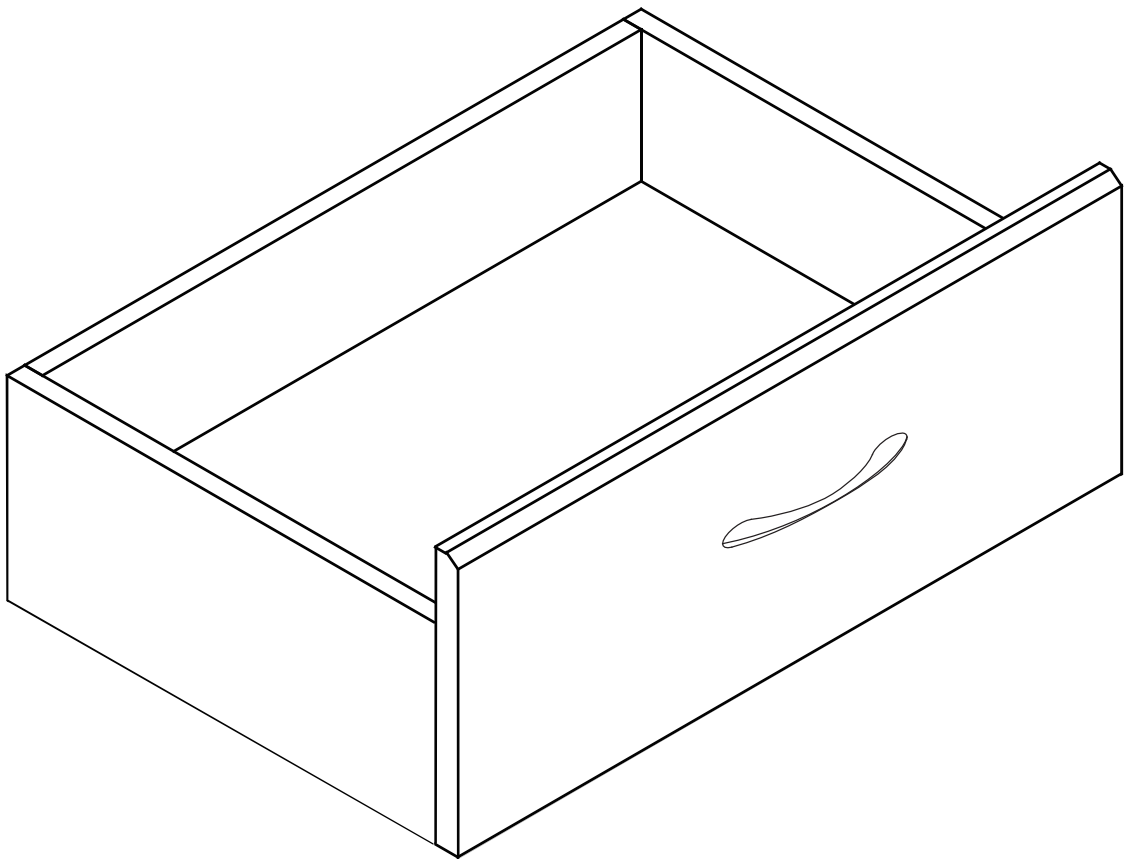


# FURNITURE DRAWER ASSEMBLY GUIDE

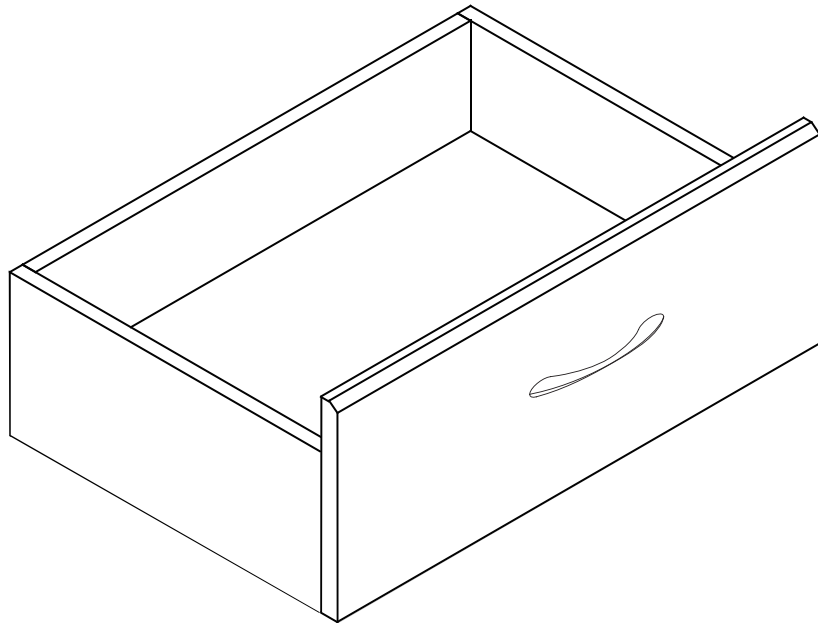
## IMPORTANT







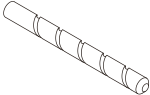
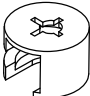




Before commencing assembly:

- Read all instructions COMPLETELY.
- Hardware kit contains small parts; keep out of reach of children.
- Ensure all listed parts are present.
- Required tools to assemble:  
Phillips Head Screwdriver and Drill.
- Required assembly work surface should be solid, level, clean and flat.
- Ensure all edged surfaces are facing to the front of the unit.

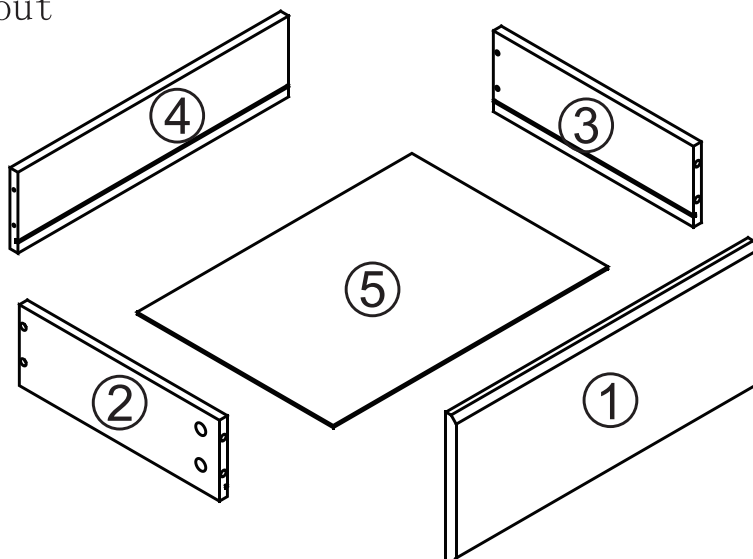


**CUSTOMER SERVICE ENQUIRIES:  
1800 822 823**



<p>A</p>  <p>4 pcs</p>	<p>B</p>  <p>2 pcs</p>	<p>C</p>  <p>8 pcs</p>	<p>D</p>  <p>4 pcs</p>	<p>E</p>  <p>10 pcs</p>
<p>F</p>  <p>1 pc</p>	<p>G</p>  <p>Drill Bit 1 pc</p>	<p>H</p>  <p>4 pcs</p>	<p>CL</p>  <p>1 pc</p>	<p>CR</p>  <p>1 pc</p>
<p>DL</p>  <p>1 pc</p>	<p>DR</p>  <p>1 pc</p>			

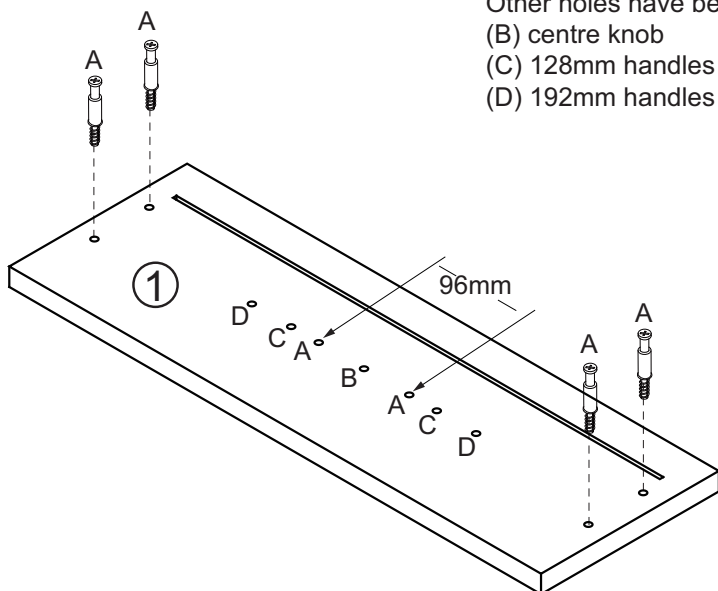
Panel Layout



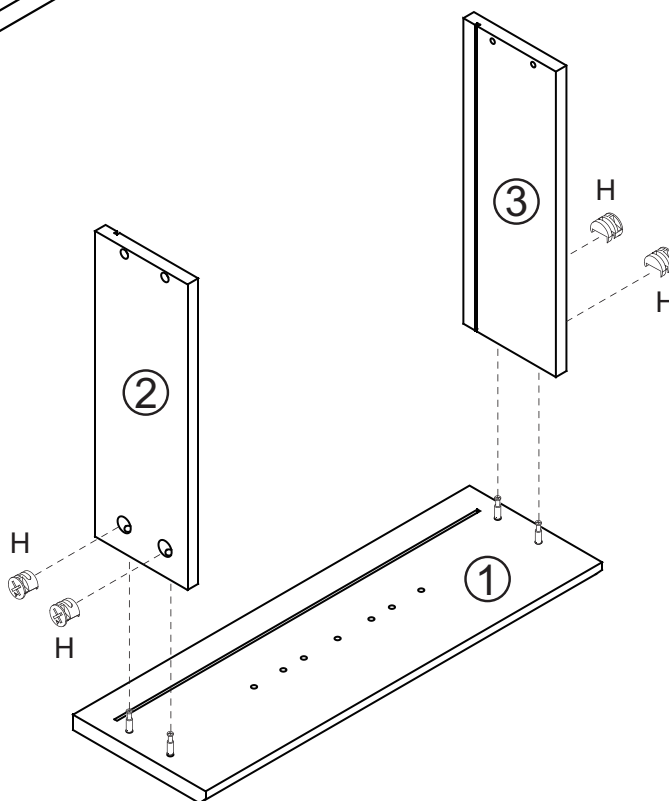
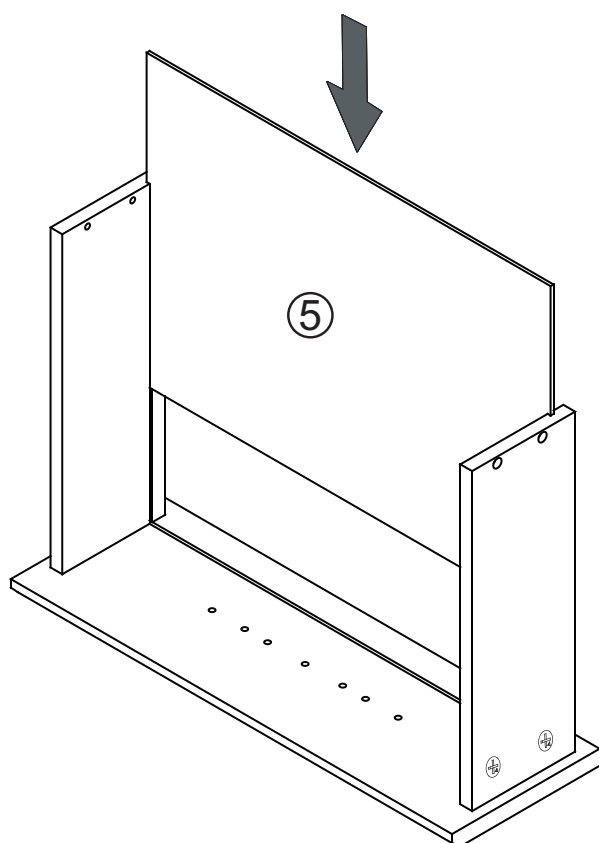
## Step 1

All drawers have been pre-drilled to suit multiple handle hole spacings.  
If using the standard handle supplied, use the holes at 96mm hole centres marked (A) and complete the drilling process using the drill bit supplied.

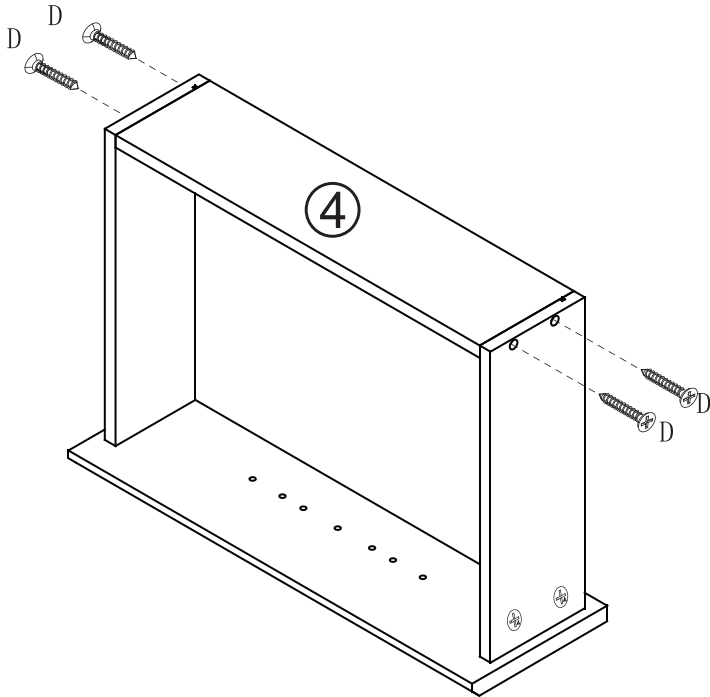
Other holes have been pre-drilled to suit:  
(B) centre knob  
(C) 128mm handles  
(D) 192mm handles



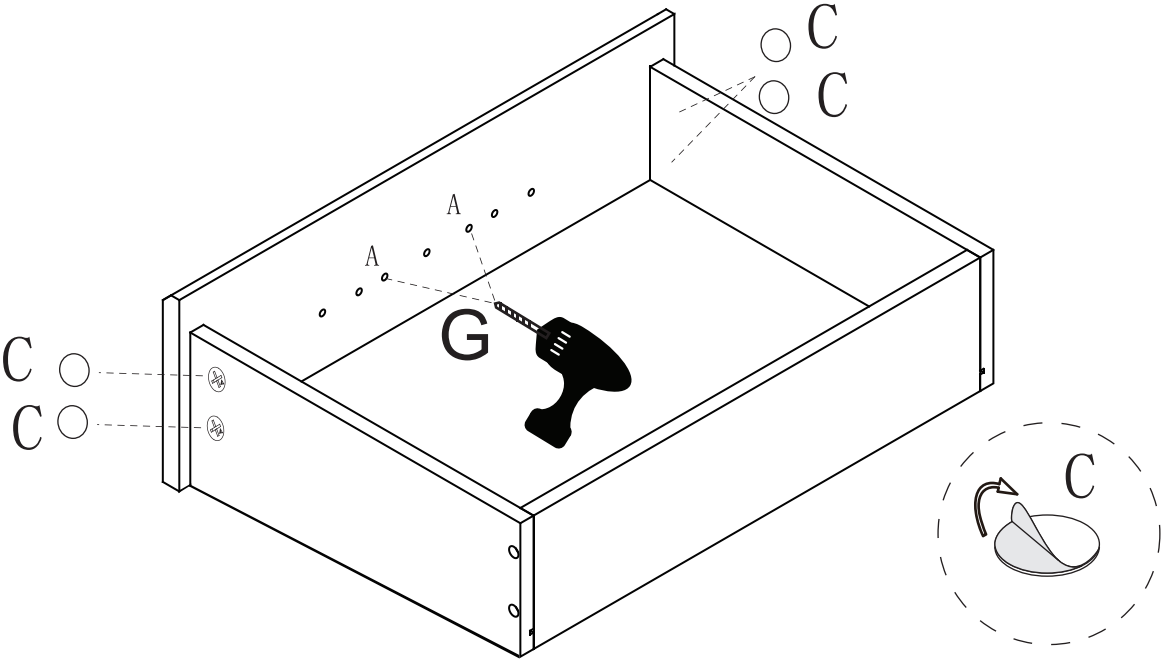
## Step 2



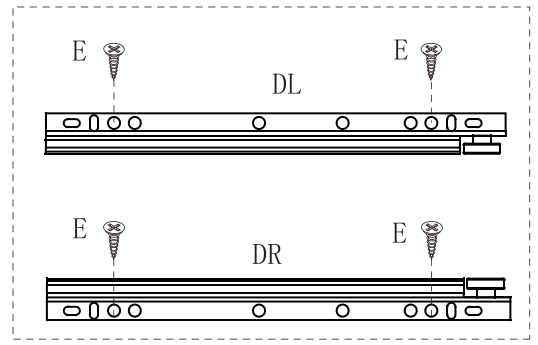
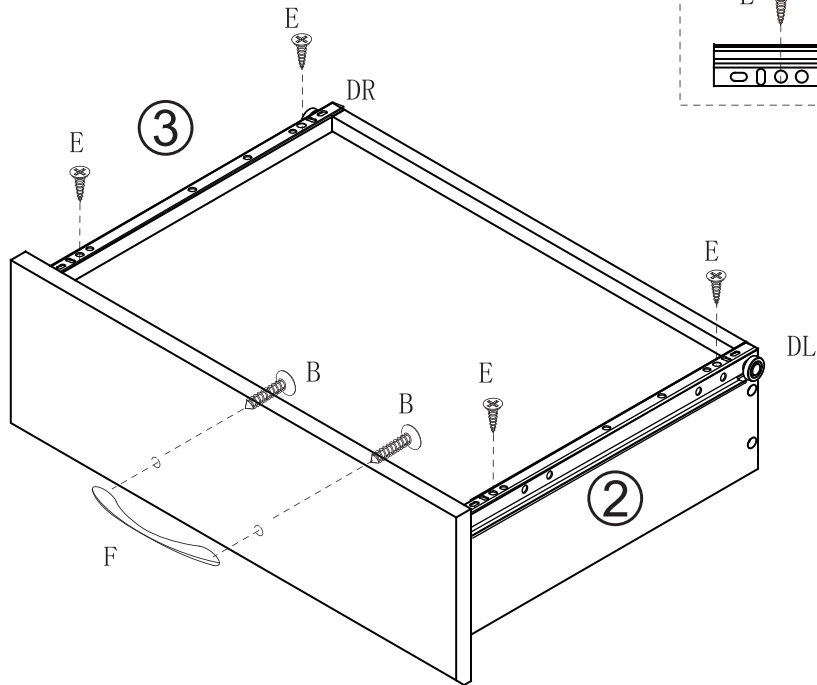
Step 3



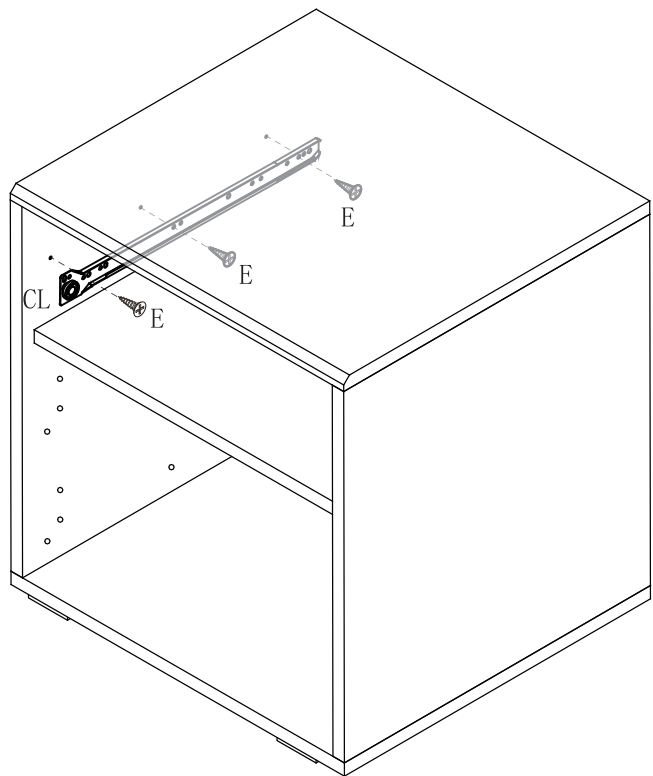
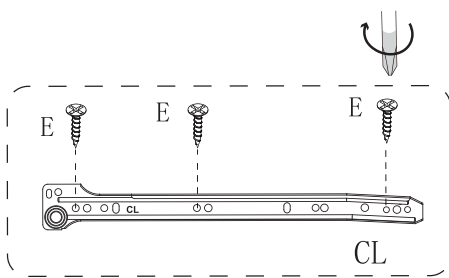
Step 4



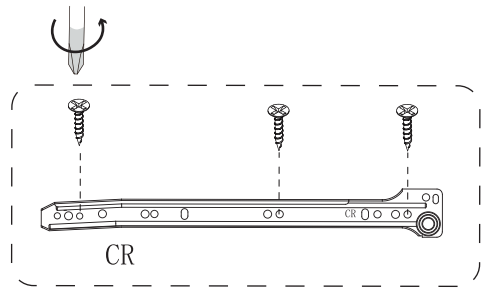
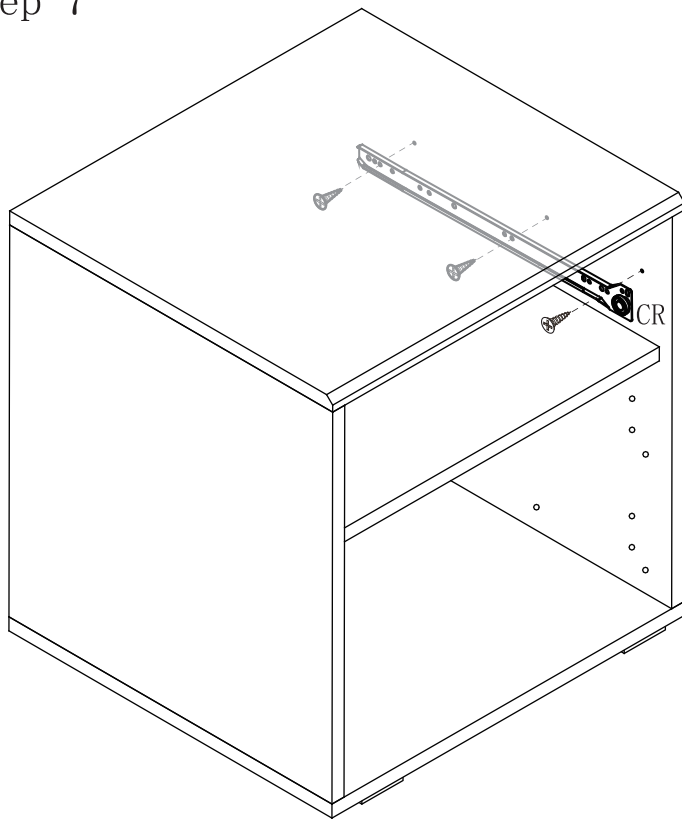
# Step 5



# Step 6



Step 7



Step 8

