

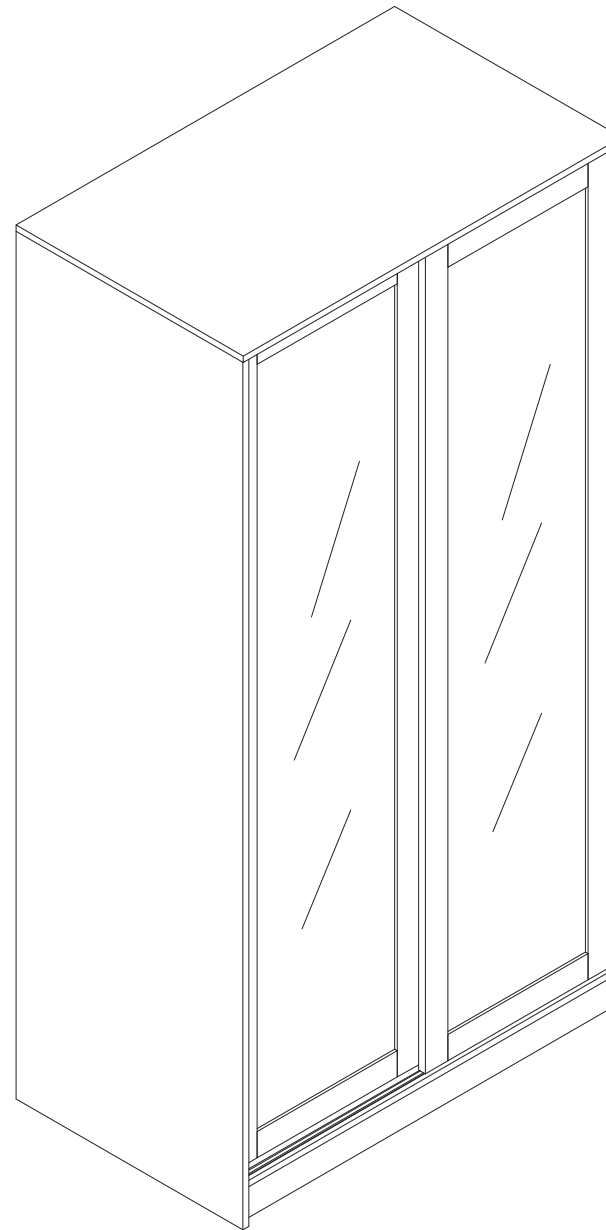


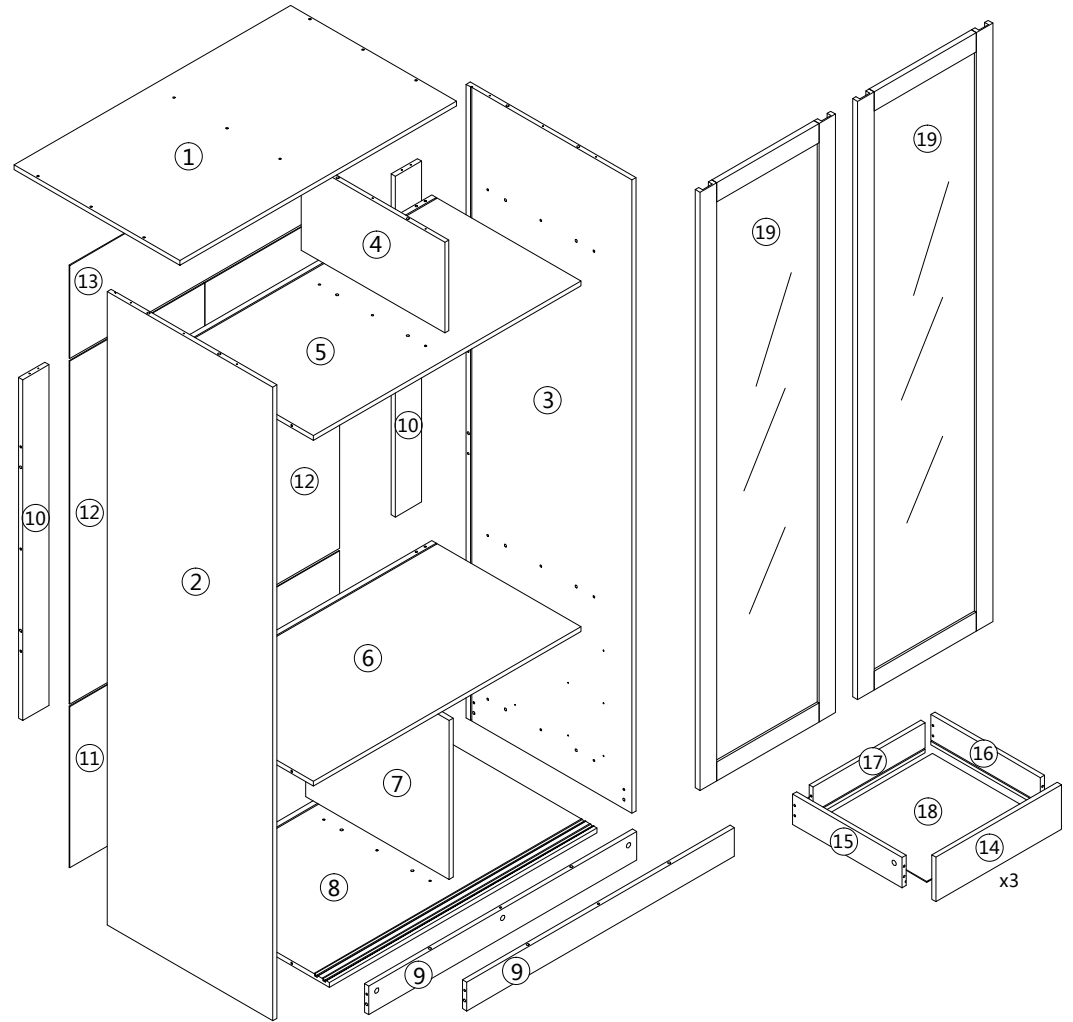
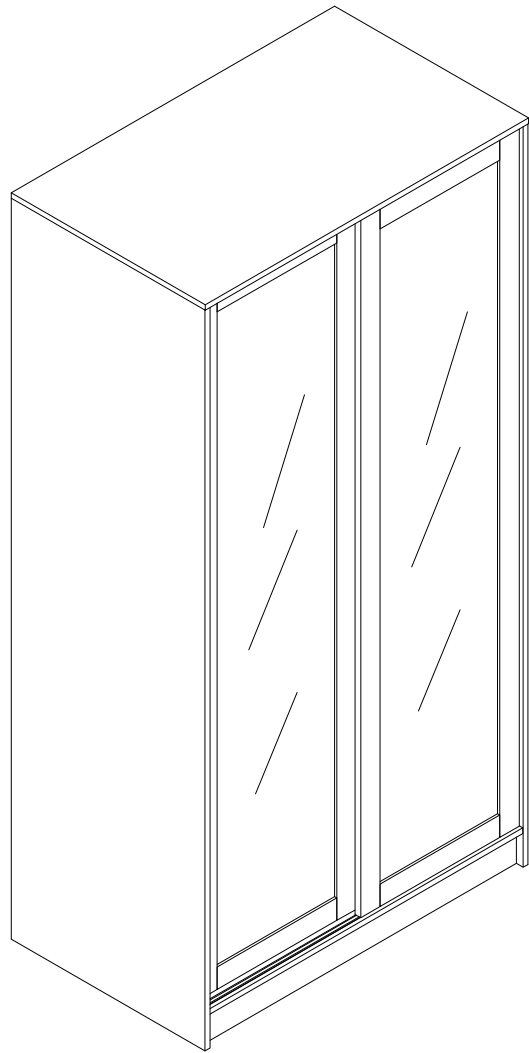
2 DOOR MIRROR SLIDING ROBE ASSEMBLY GUIDE

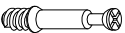

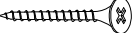



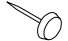


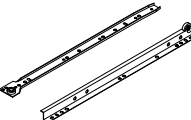
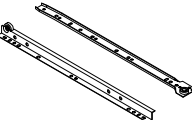






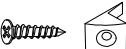
IMPORTANT

Before commencing assembly:

- Read all instructions COMPLETELY.
- Hardware kit contains small parts; keep out of reach of children.
- Ensure all listed parts are present.
- Required tools to assemble:
Phillips Head Screwdriver,
Drill and Hammer.
- Required assembly work surface should be solid, level, clean and flat.
- Ensure all edged surfaces are facing to the front of the unit.





																	
A	39PCS	B	39PCS	C	37PCS	D	42PCS	E	72PCS	F	2PCS	G	8PCS	H	1PC	I	2PCS
																	
J	3SETS	K	3SETS	L	4PCS	M	4PCS	N	1PC	O	2PCS	P	2PCS	Q	9PCS	R	8SETS

Ø15x12mm

4x40mm

8x30mm

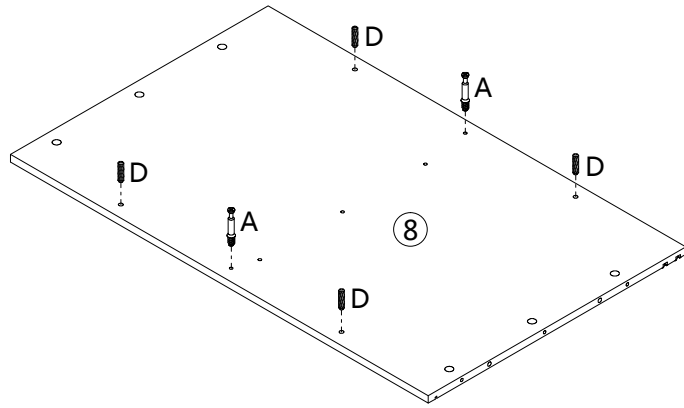
3x12mm

3.5x12mm

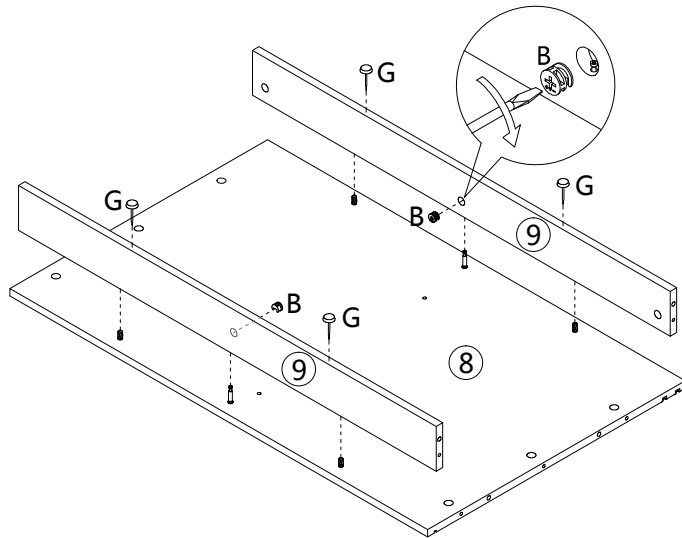
3x14mm

x3

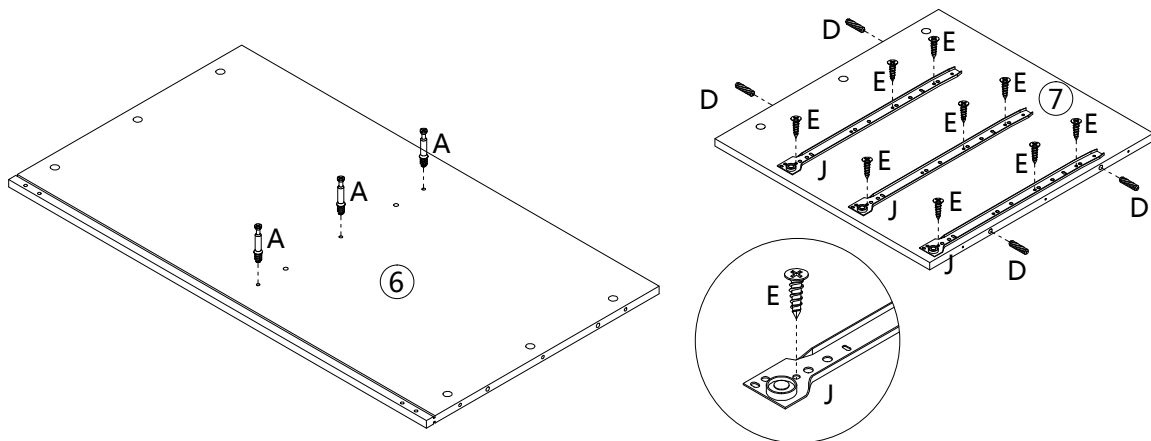
step 1



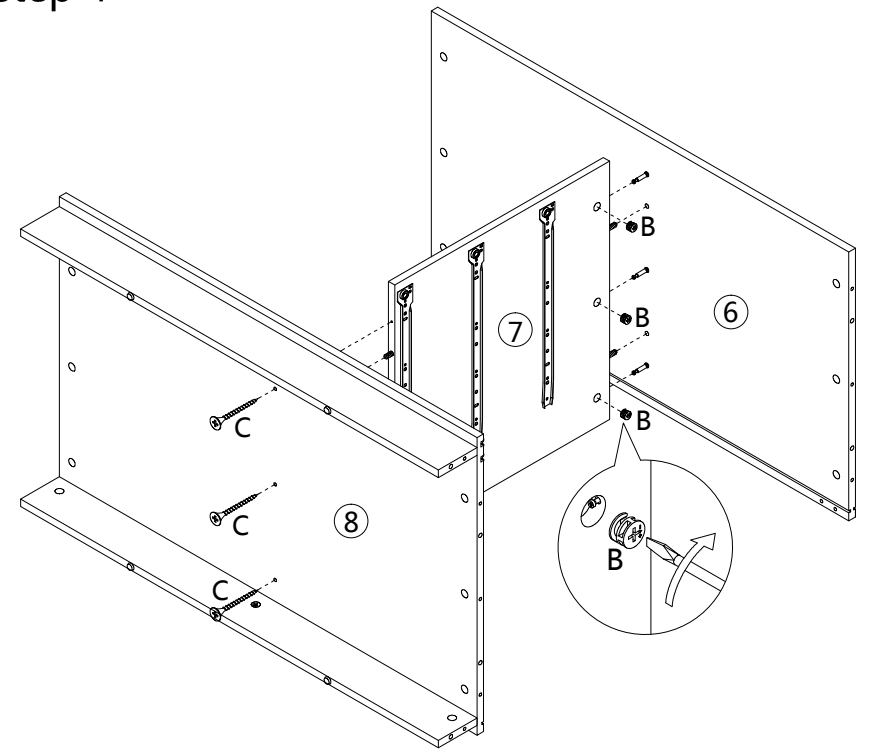
step 2



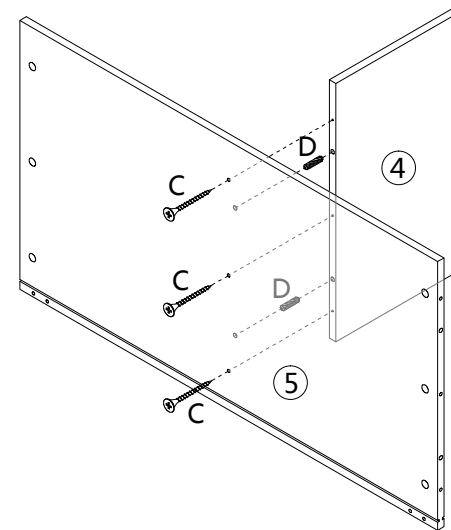
step 3



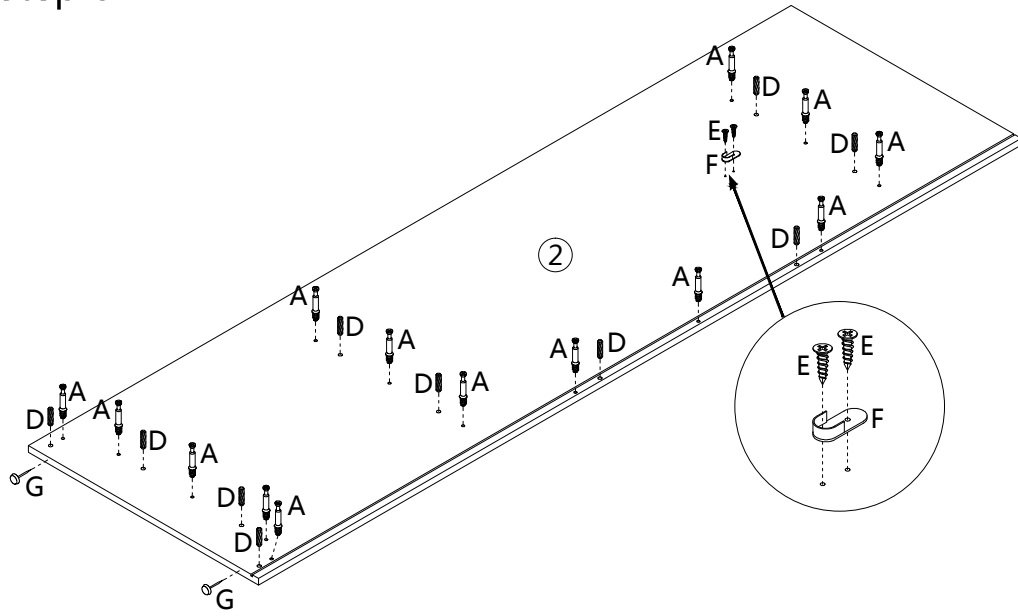
step 4



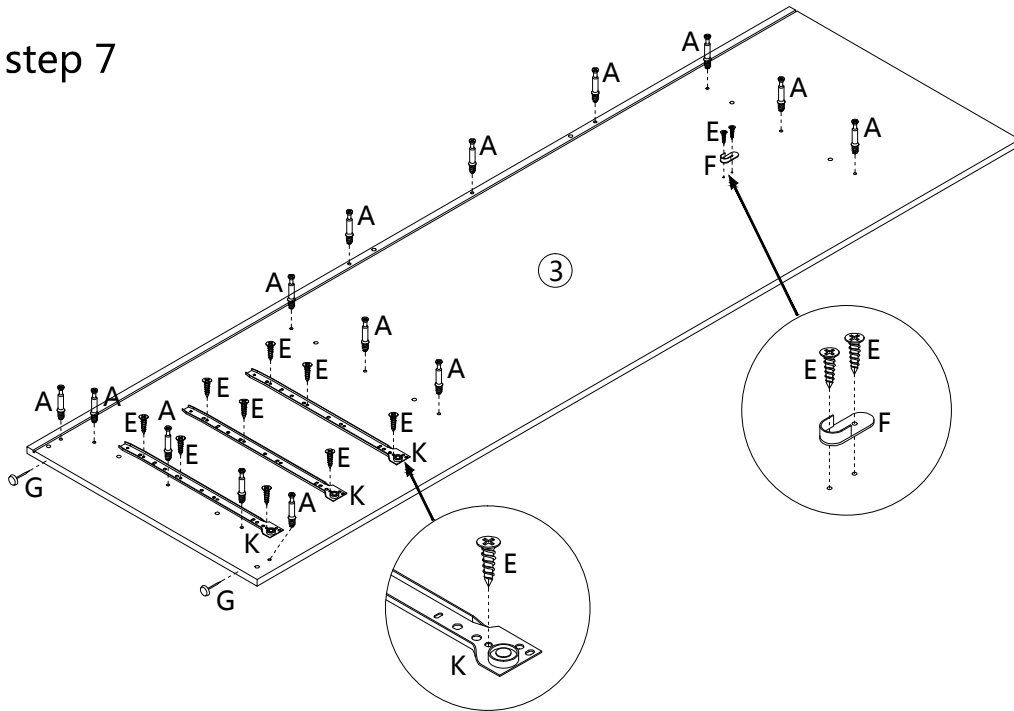
step 5



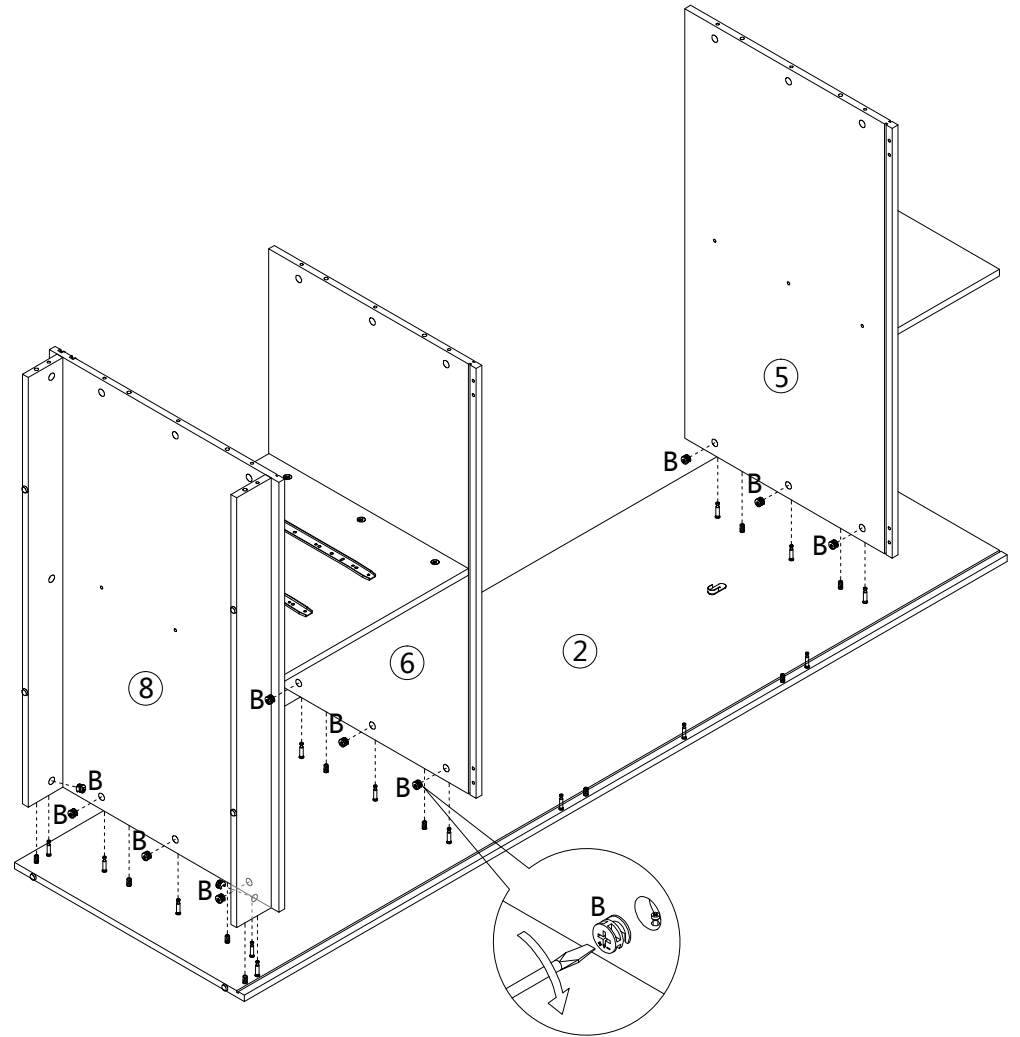
step 6



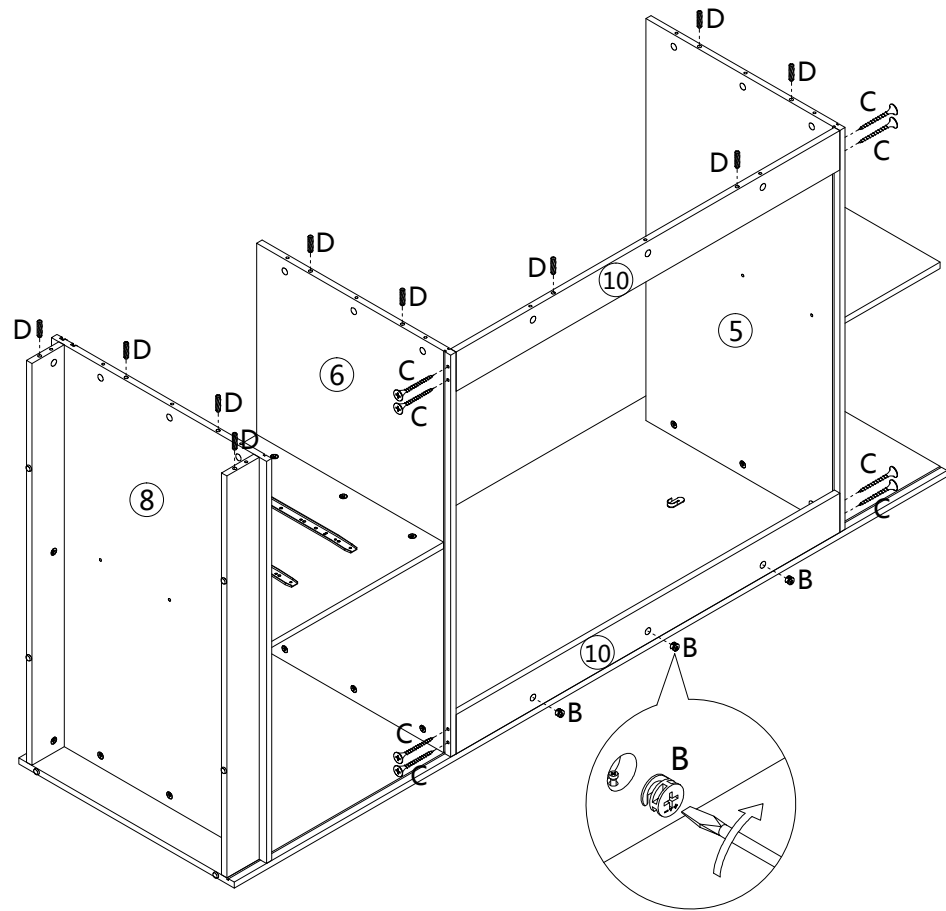
step 7



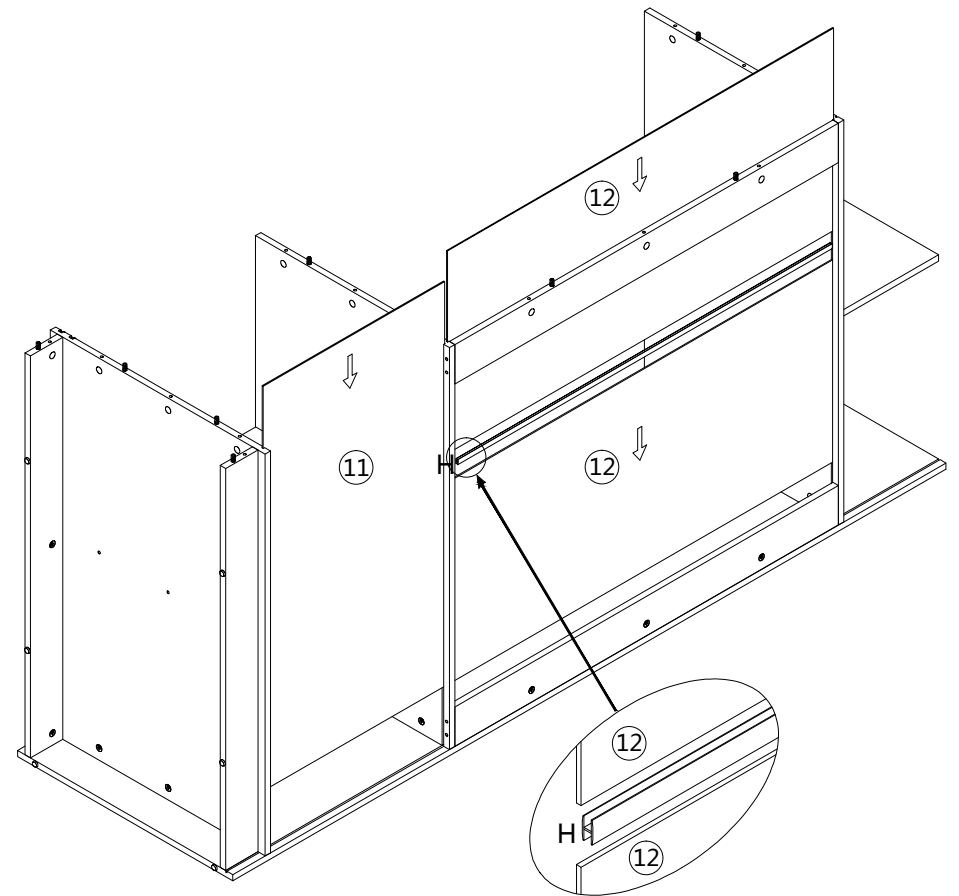
step 8



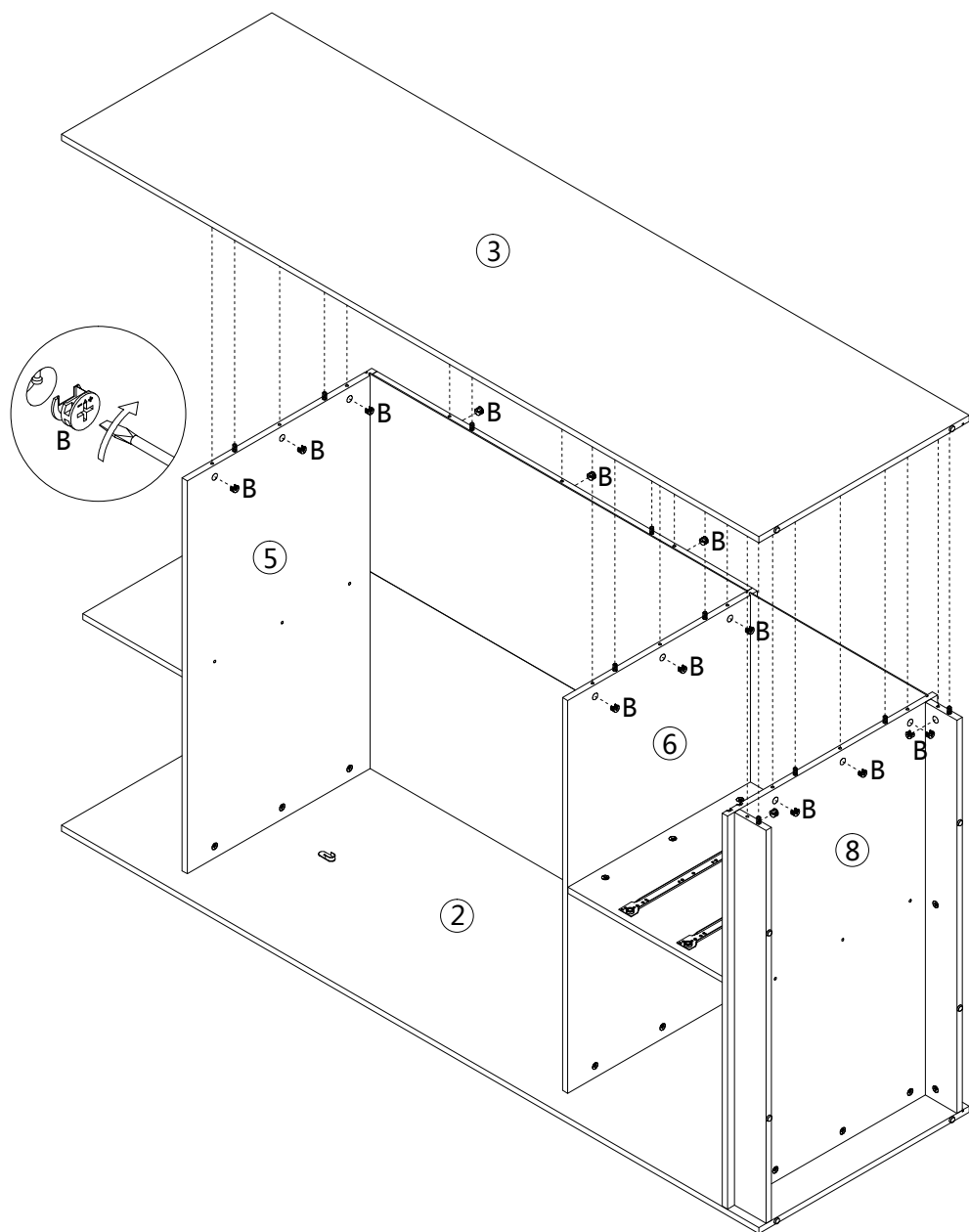
step 9



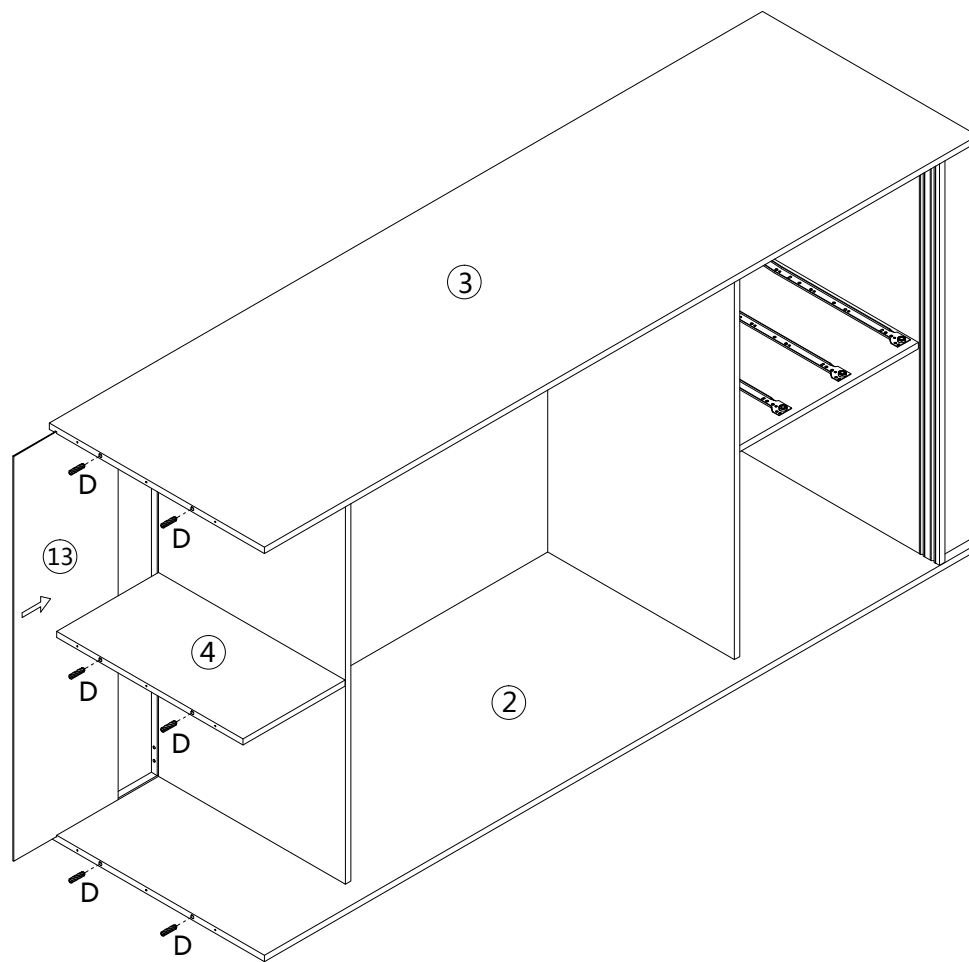
step 10



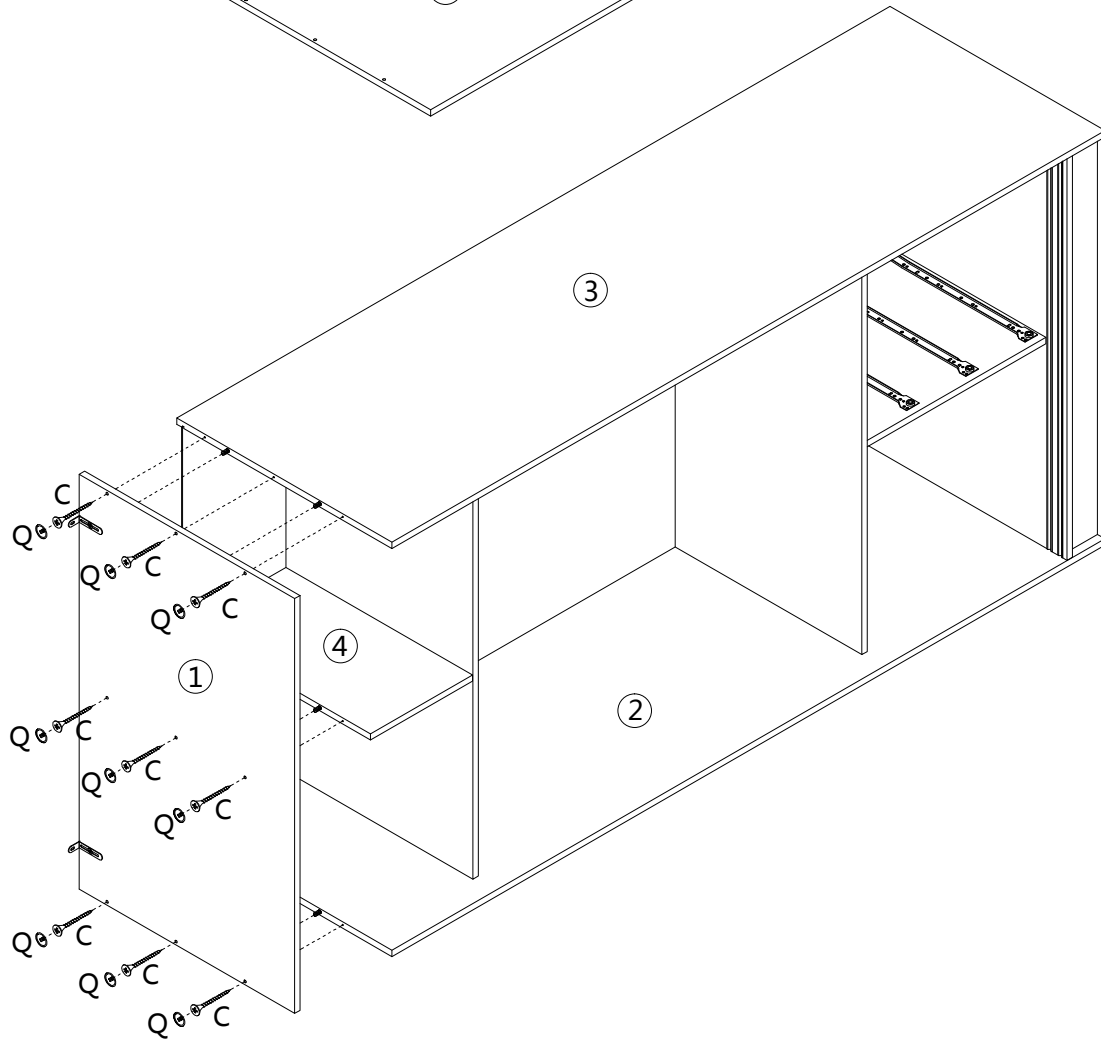
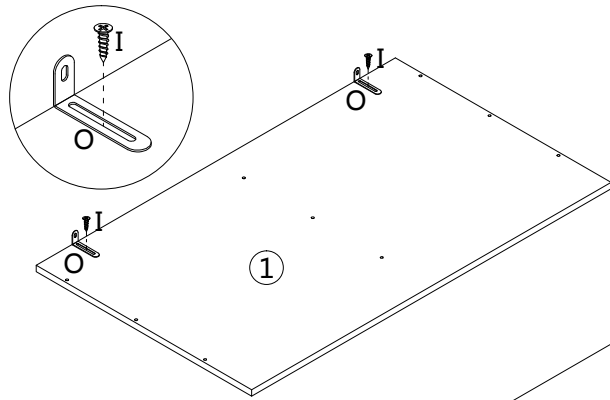
step 11



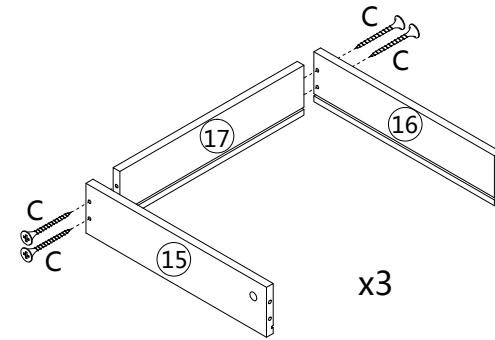
step 12



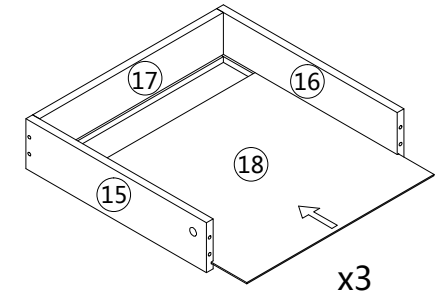
step 13



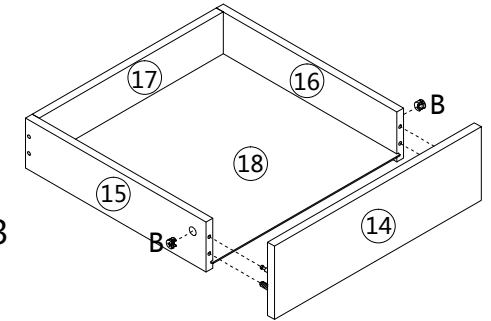
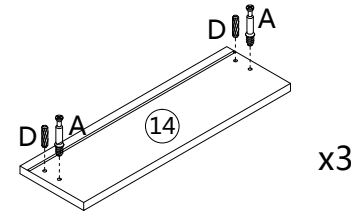
step 14



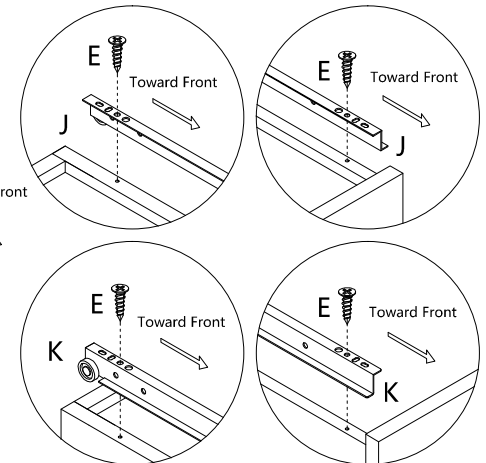
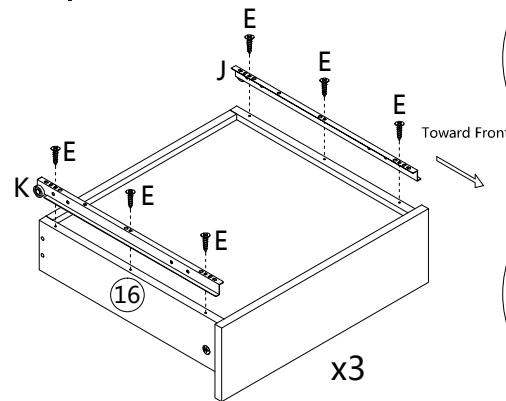
step 15



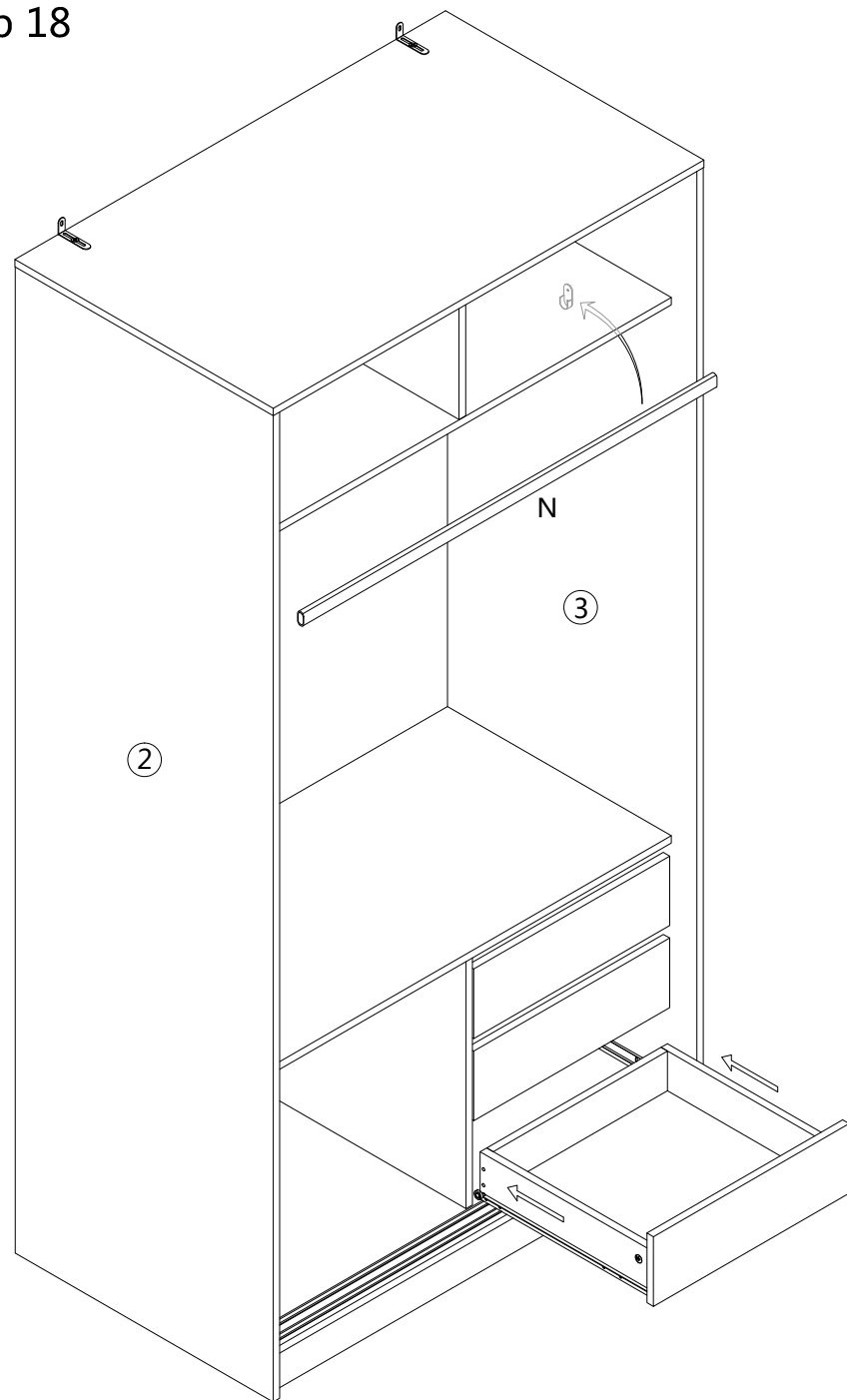
step 16



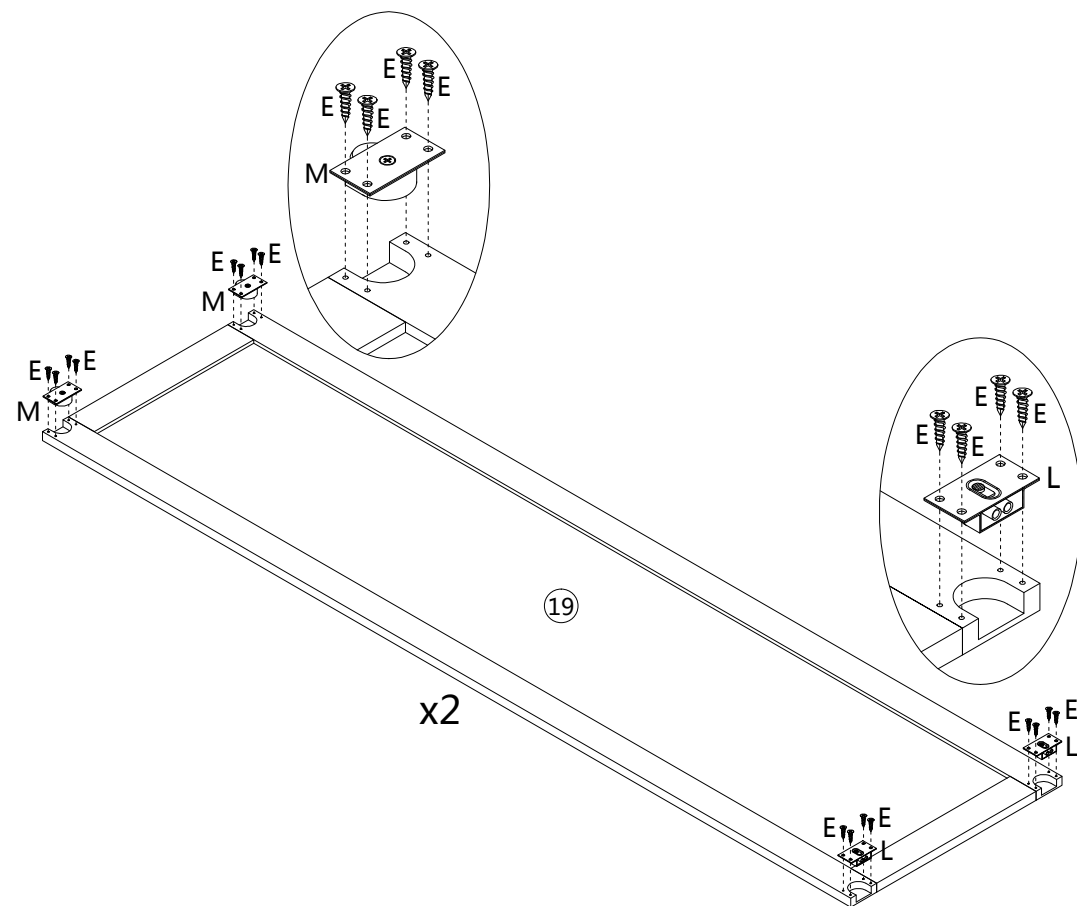
step 17



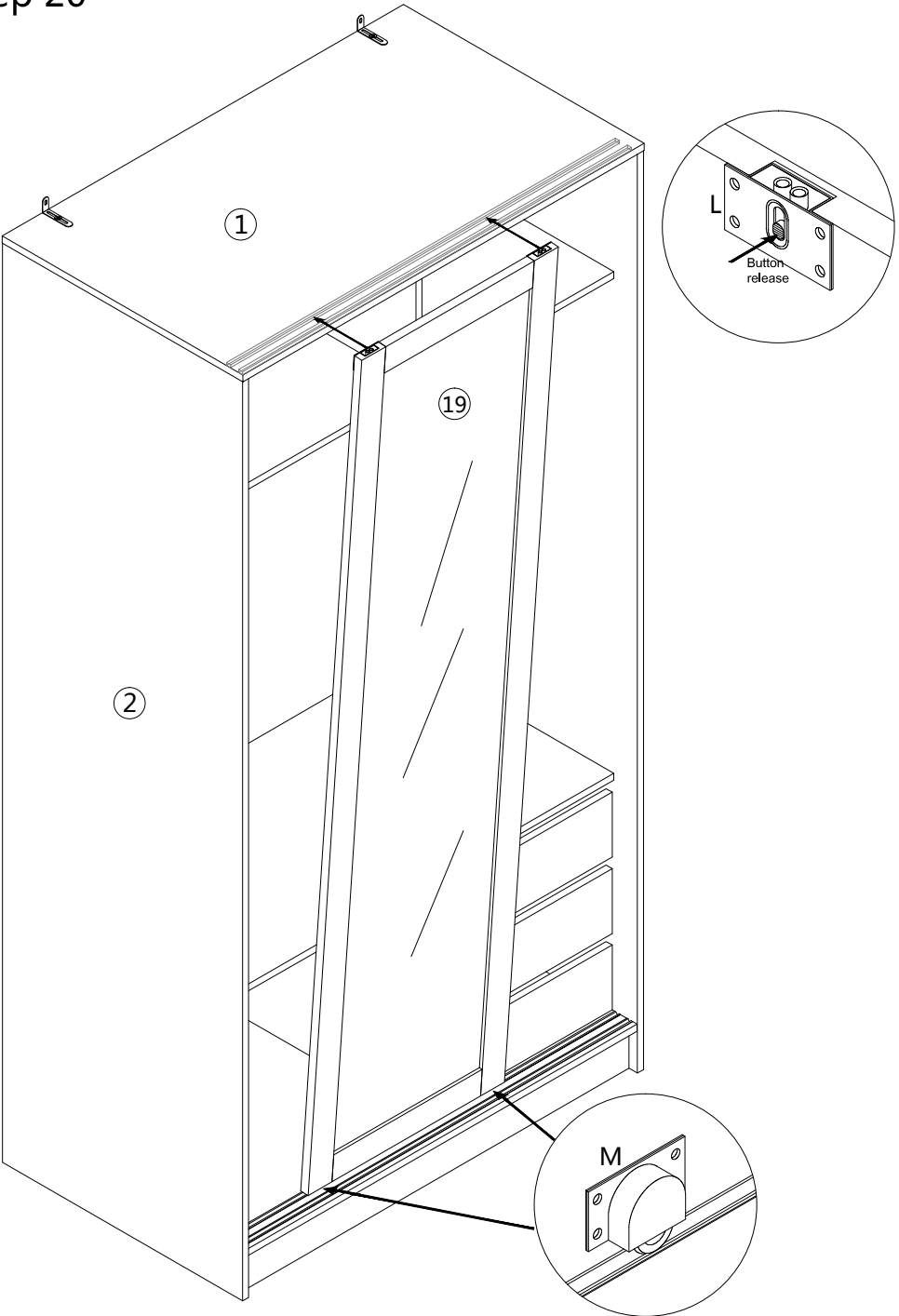
step 18



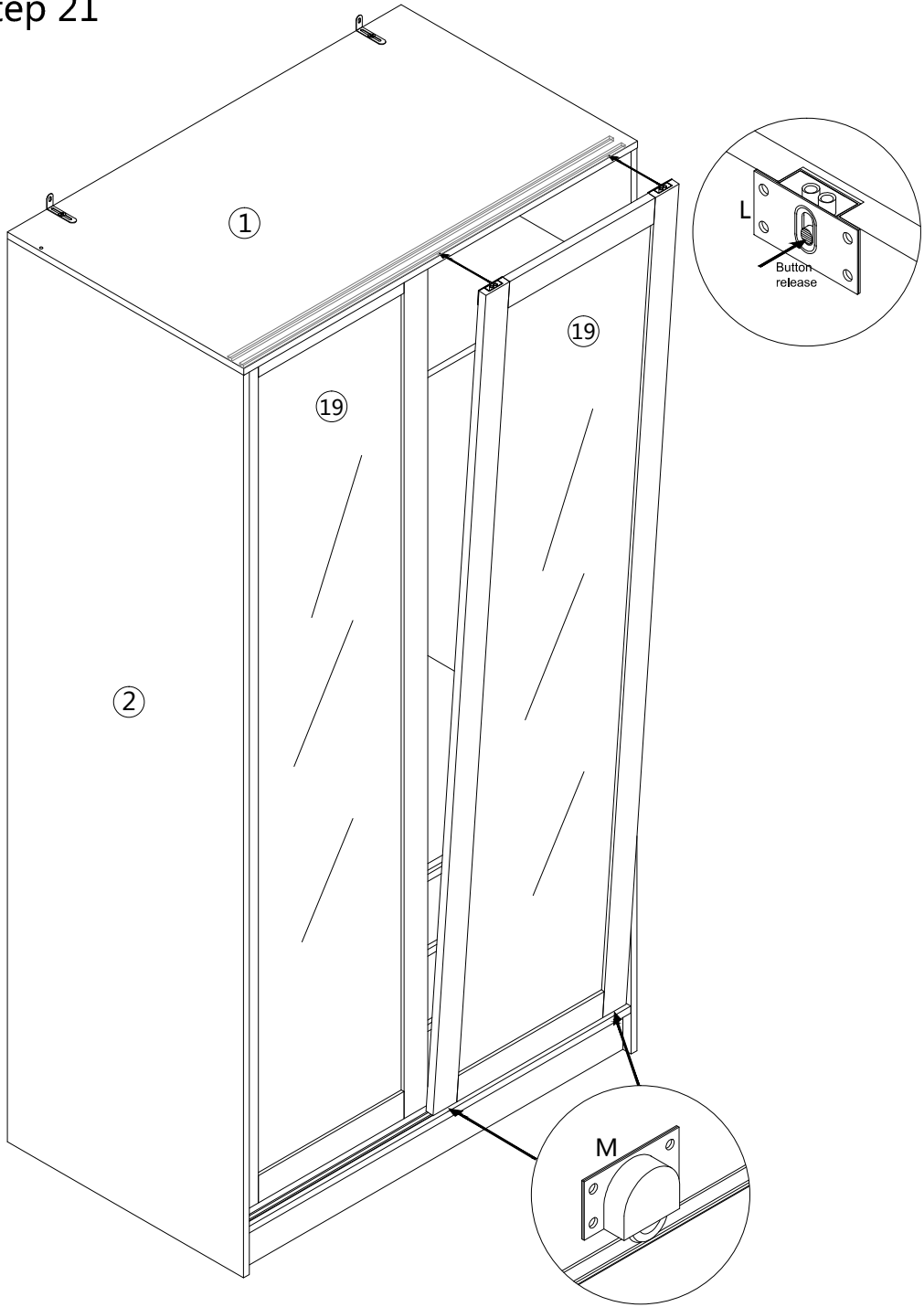
step 19



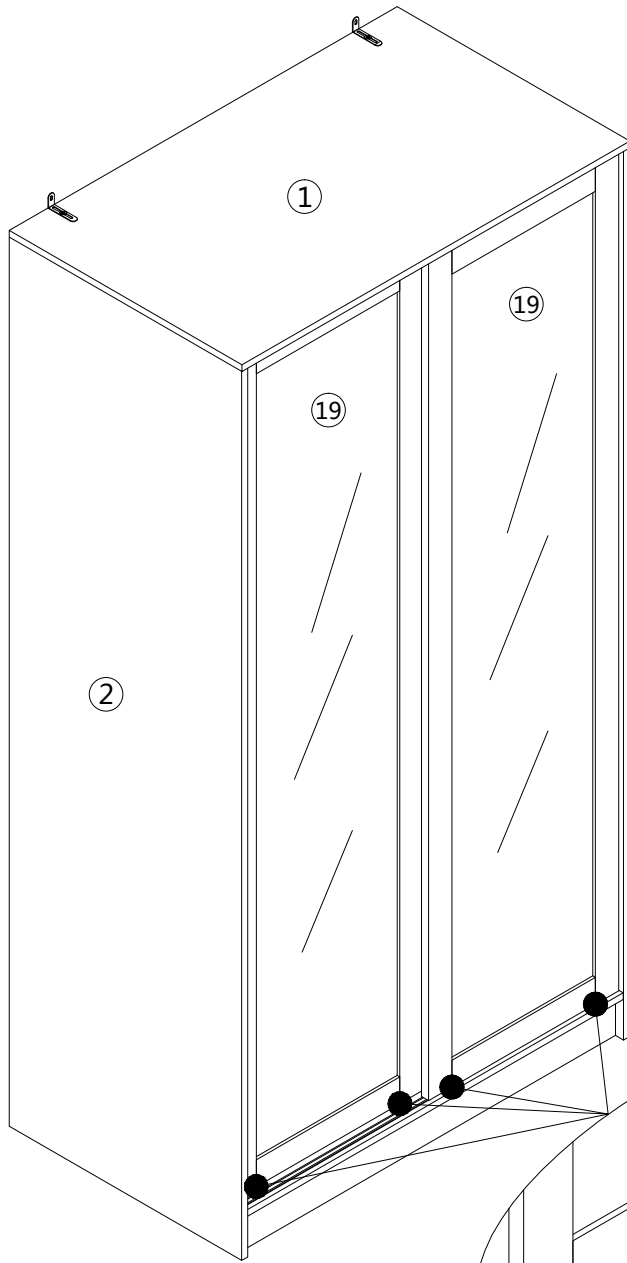
step 20



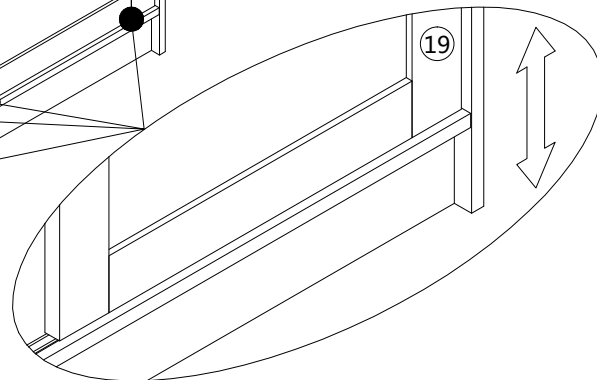
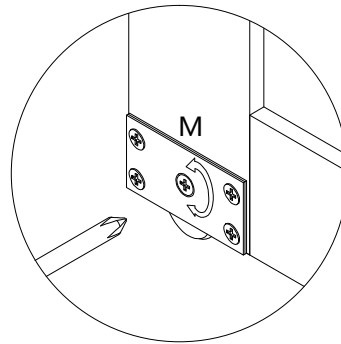
step 21



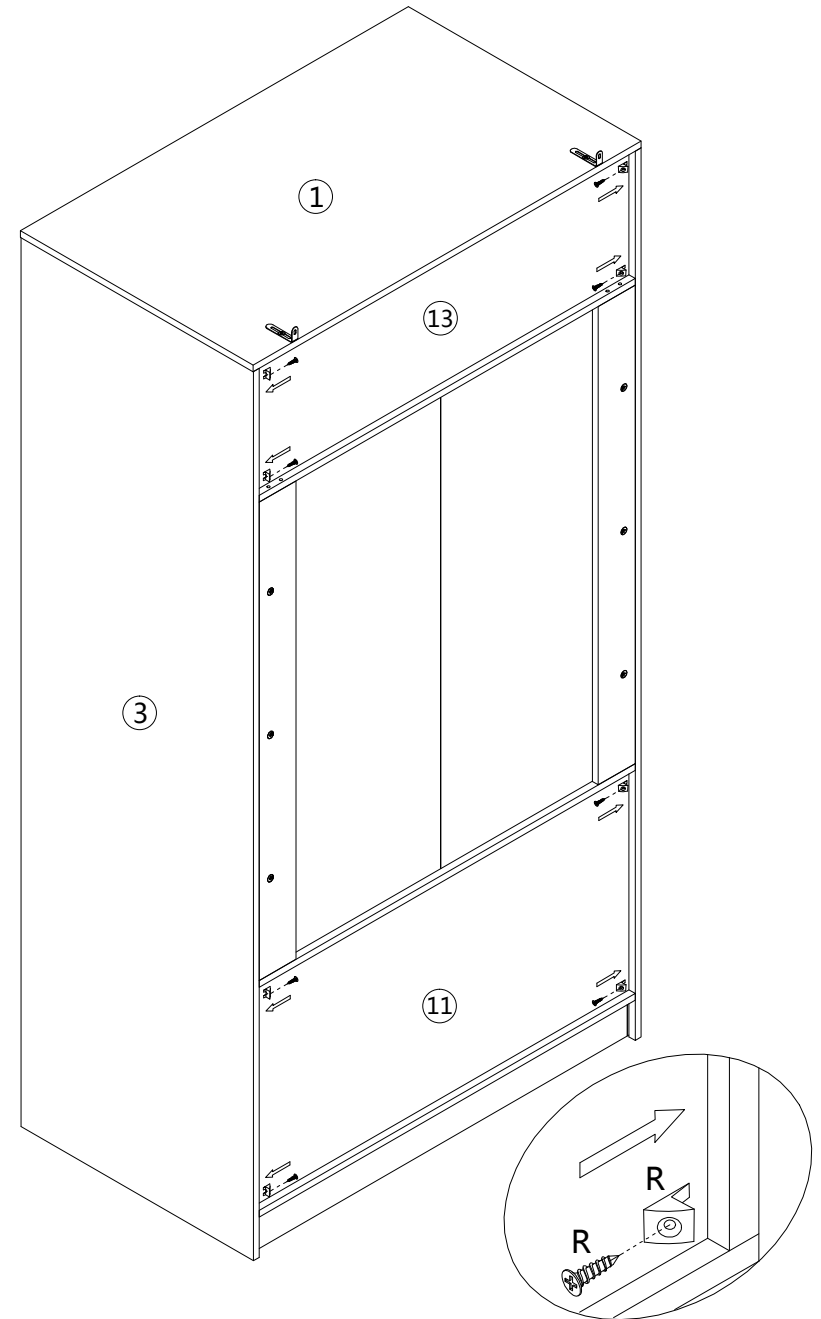
step 22



The door can be adjusted up and down by turning the screw marked "M".



step 23



step 24

