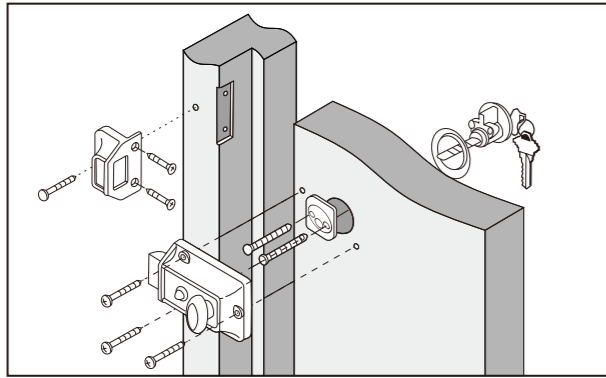


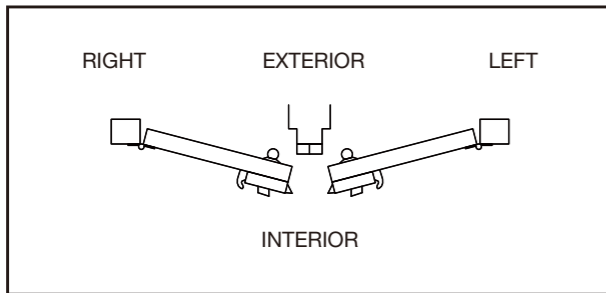
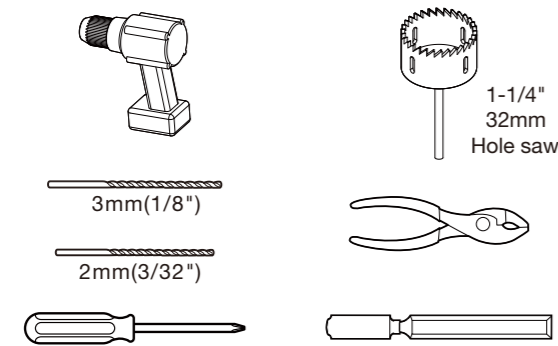
297 mm

ikonic™

Rim Night Latch Quick Installation Guide



TOOLS REQUIRED:



WARNING: No lock can guarantee complete security on its own. This lock may be bypassed through force, technical methods, or by accessing other entry points on the property. Security also depends on your vigilance, awareness of your surroundings, and the use of common sense. Builder's hardware comes in various performance grades to match specific applications. To enhance security and minimize risks, consult a qualified locksmith or security professional.

Any claim under this warranty must be made within 3 years of the date of purchase of the product. To make a claim under the warranty, take the product (with proof of purchase) to any Bunnings store (see www.bunnings.com.au or www.bunnings.co.nz for store locations) Bunnings Group Ltd bears reasonable, direct, expenses of claiming under the warranty. You may submit details and proof to our store for consideration.

The warranty covers manufacturer defects in materials, workmanship and finish under normal use. This warranty is provided in addition to other rights and remedies you may have under law: our goods come with guarantees which cannot be excluded under the Australian Consumer Law. You are entitled to replacement or refund for a major failure and to compensation for other reasonably foreseeable loss or damage. You are also entitled to have the goods repaired or replaced if the goods fail to be of acceptable quality and the failure does not amount to a major failure. The warranty excludes damage resulting from product misuse or product neglect. The warranty covers domestic use only and does not apply to commercial applications.

This warranty is given by Bunnings Group Limited
ABN 26 008 672 179, Botanicca 3, Level 2 East Tower 570
Swan Street, Burnley, VIC 3121,
e-mail: CustomerSupport@bunnings.com.au, PH: 1800 797 586.
Bunnings NZ Limited: PO Box 14436, Panmure Auckland 1741,
e-mail: OnlineEnquiries@bunnings.co.nz PH: 1800 797 586

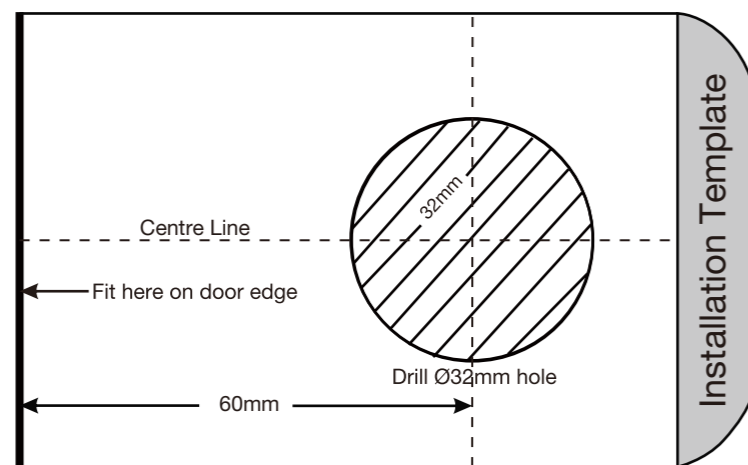
Item No: 0755234/0755255/0755168

Please Note!

This night latch is designed for use on doors that open to the left or right. Please ensure that all screws are tightened by hand rather than using an electric screwdriver or drill, as excessive tightening is not advisable.

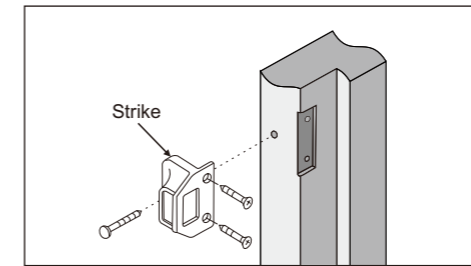
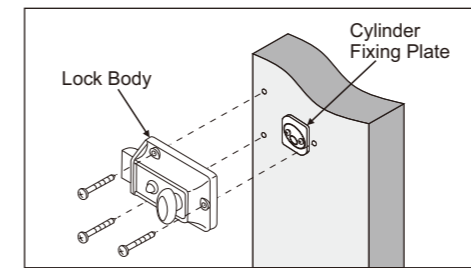
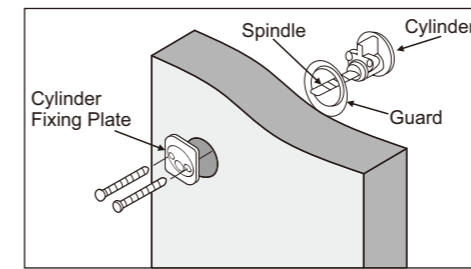
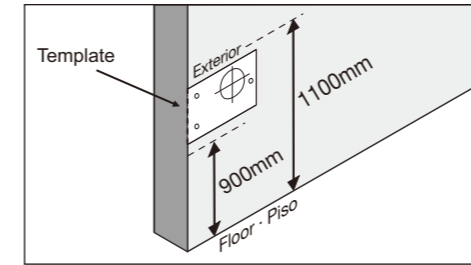
SAFETY TIP:

When assembling or installing this product wear protective gloves and eyewear.



210 mm

ikonic™



1 Position the template on the INTERIOR side of the door and align the indicated line with the edge of the door, ensuring the centre line is approximately 900mm-1100mm above the floor. Mark hole at the centre of the circle of the template. Suggest drilling a 3mm guide hole firstly, then drill a hole 32mm in diameter for cylinder.

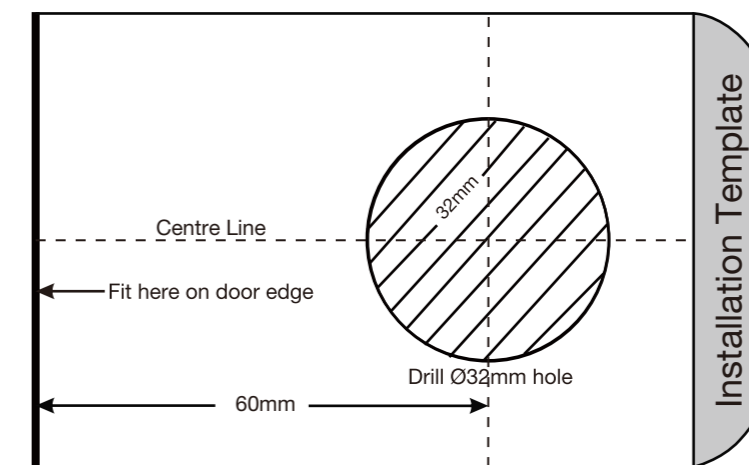
2 Place the cylinder along with its guard into the hole on the exterior side of the door. Make sure that the spindle extends from the interior of the door by 5 to 8mm. The spindle and screws should be cut according to the thickness of the door. Insert screws into the holes of the cylinder fixing plate and secure it to the cylinder from interior door. Attention the correct installation orientation of cylinder and fixing plate.

3 Remove the key from the cylinder. (Always keep the keys with you!) Insert the spindle into the back of the lock opening. Mark the position of the three screw holes on the lock with a pencil, remove the lock, and then drill 2mm holes, 20mm deep into the door. Re-insert the spindle into the back of the lock opening, position the lock horizontally, and secure it to the door with screws.

4 Position the strike against the door frame, ensuring that it is properly aligned with the lock. Outline the strike plate and carve a groove with a depth of 1.5 to 2mm to fit it. Place the strike plate in the groove and mark the screw holes. Remove the strike and drill holes for the screws with diameter 2mm, 20mm deep. Then re-fit the strike plate and use the screws to tighten it.

About Maintenance

Keep the cylinder clean. If the key lock needs lubrication, avoid using oil (it is preferable to use graphite powder). To ensure the latch functions well, remove it occasionally and apply a small amount of grease to extend its lifespan.



210 mm