

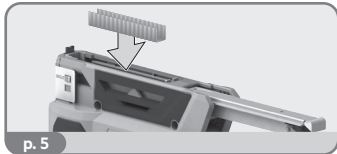
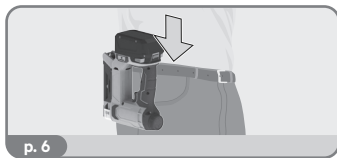
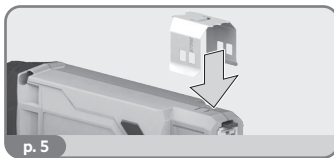
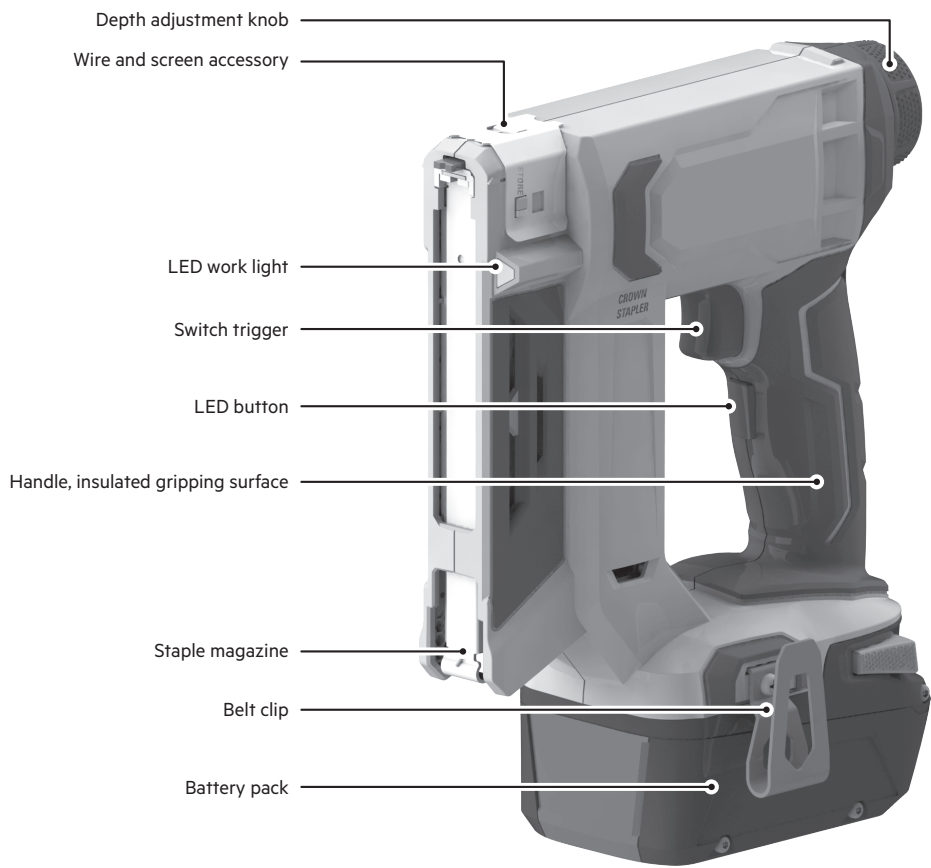
# AEG

**A18FST500**  
Original instructions

## **Important!**

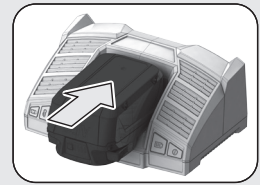
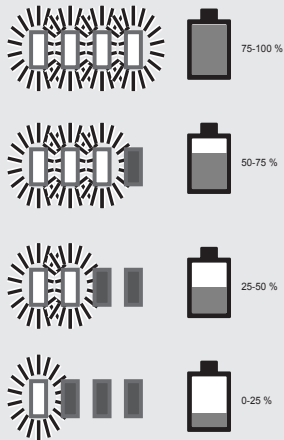
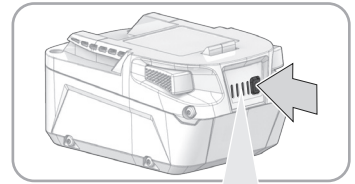
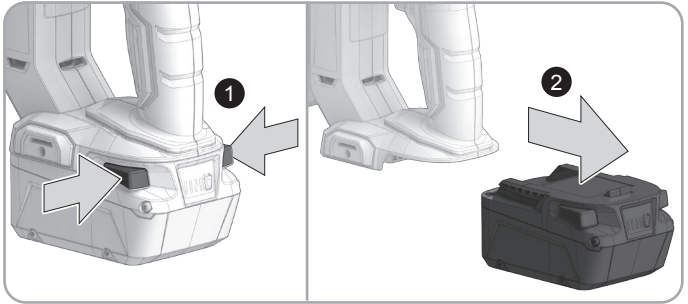
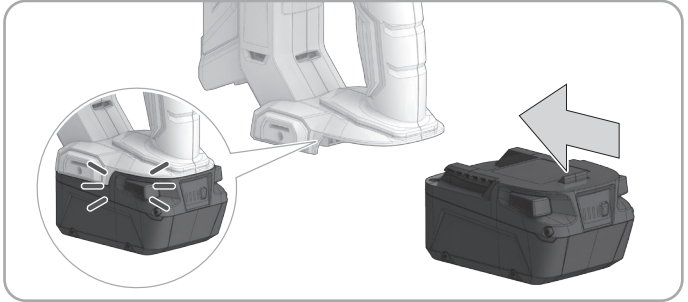
It is essential that you read the instructions in this manual before assembling, operating and maintaining the product.

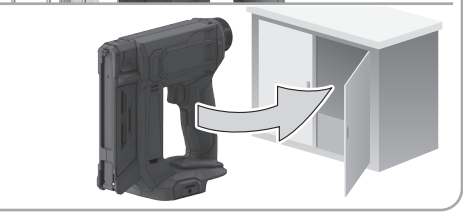
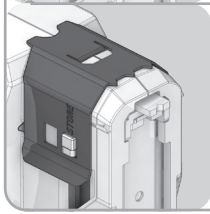
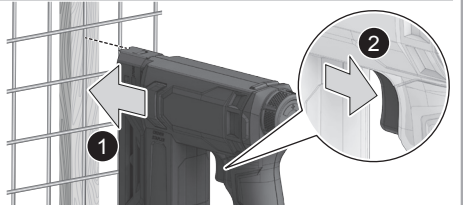
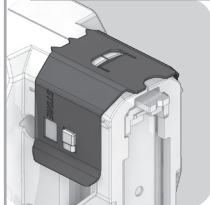
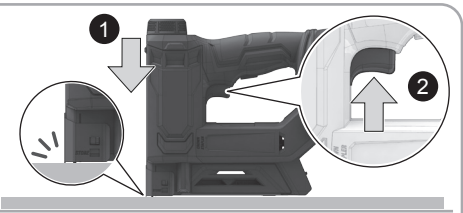
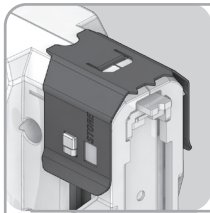
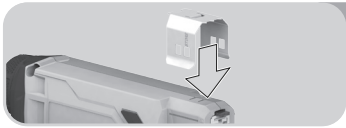
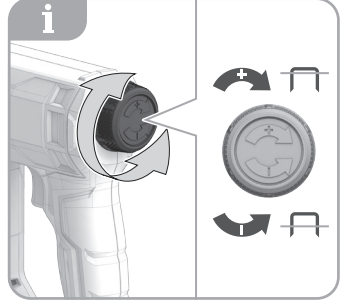
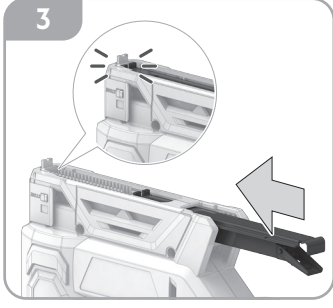
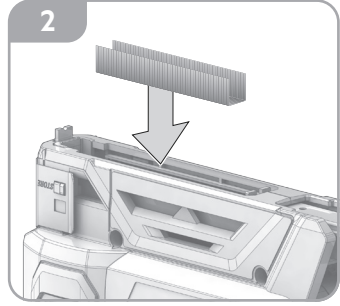
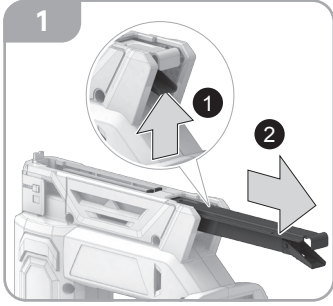
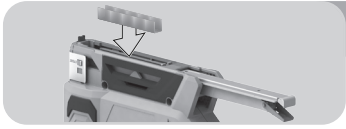
Subject to technical modifications.

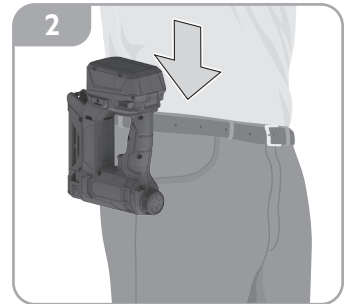
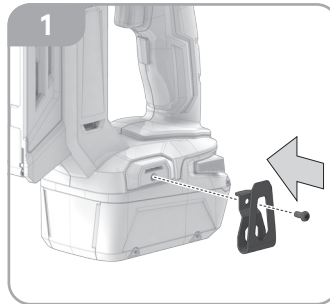
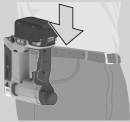
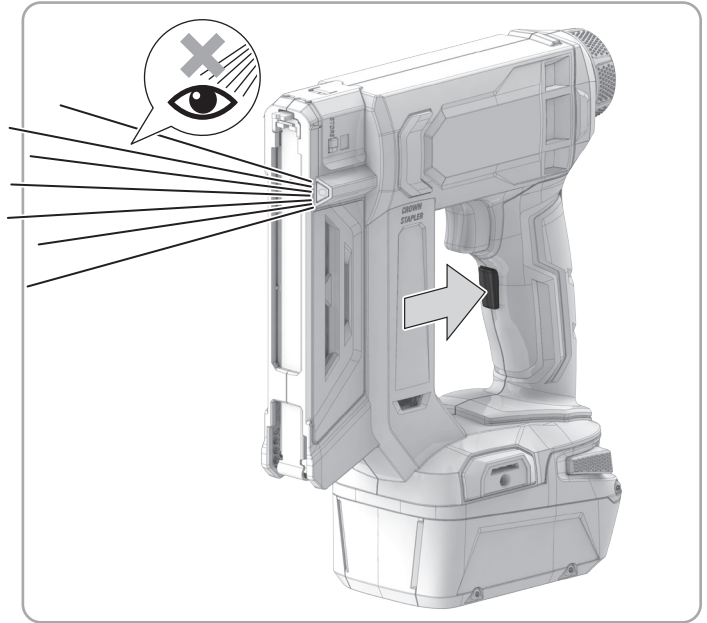




Remove the battery pack before starting any work on the product.









TECHNICAL DATA	A18FST500
Type	Stapler
Battery voltage	18 V $\text{---}$
Fastener type	Staples
Length	6.35 - 14.3 mm
Width	9.5 mm
Magazine capacity	88 staples
Weight without battery pack	1.39 kg

#### Noise Information

Measured values determined according to EN 60745. Typically, the A-weighted noise levels of the tool are:

Sound pressure level / Uncertainty

$L_{pA}=77.0 \text{ dB (A)} / K_{pA}=3 \text{ dB(A)}$

Sound power level / Uncertainty

$L_{WA}=88.0 \text{ dB (A)} / K_{WA}=3 \text{ dB(A)}$

#### Wear ear protection!

#### Vibration Information

Vibration total values (triaxial vector sum) determined according to EN 60745.

Vibration emission value / Uncertainty

$a_r=3.3 \text{ m/s}^2 / K=1.5 \text{ m/s}^2$

#### **⚠ WARNING!**

The declared vibration total values and the declared noise emission values given in this instruction manual have been measured in accordance with a standardised test and may be used to compare one tool with another. They may be used for a preliminary assessment of exposure.

The declared vibration and noise emission values represent the main applications of the tool. However, if the tool is used for different applications, used with different accessories, or poorly maintained, the vibration and noise emission may differ. These conditions may significantly increase the exposure levels over the total working period.

An estimation of the level of exposure to vibration and noise should take into account the times when the tool is turned off or when it is running idle. These conditions may significantly reduce the exposure level over the total working period.

Identify additional safety measures to protect the operator from the effects of vibration and noise, such as maintaining the tool and the accessories, keeping the hands warm (in case of vibration), and organising work patterns.

#### COMPATIBLE BATTERY PACKS (NOT INCLUDED)

L1820R	A18B4	L1860R
L1820S	L1840R	L1860R-X5
A18FB2	A18FB4	L1890R
L1825R	L1850R	
L1830R-X5	A18FB5	

Use AEG 18V battery and charger only

**⚠ WARNING! Read all safety warnings, instructions, illustrations and specifications provided with this power tool.** Failure to follow all instructions listed below may result in electric shock, fire, and/or serious injury. Save all warnings and instruction for future reference.

#### STAPLER SAFETY WARNINGS

**Always assume that the tool contains fasteners.** Careless handling of the stapler can result in unexpected firing of fasteners and personal injury.

**Do not point the tool towards yourself or anyone nearby.** Unexpected triggering will discharge the fastener, causing an injury.

**Do not actuate the tool unless the tool is placed firmly against the workpiece.** If the tool is not in contact with the workpiece, the fastener may be deflected away from your target.

**Disconnect the tool from the power source when the fastener jams in the tool.** While removing a jammed fastener, the stapler may be accidentally activated if it is plugged in.

**Use caution while removing a jammed fastener.** The mechanism may be under compression and the fastener may be forcefully discharged while attempting to free a jammed condition.

**Do not use this stapler for fastening electrical cables.** It is not designed for electric cable installation and may damage the insulation of electric cables, thereby causing electric shock or fire hazards.

#### ADDITIONAL SAFETY WARNINGS

The product is designed for single-hand use. Do not hold the product by the front of the magazine. Do not put hands, head, or other parts of your body near the bottom of the magazine where the staple exits the product as serious personal injury could be caused.

Always ensure that the workpiece contact is fully positioned above the workpiece. Partially positioning the workpiece contact above the workpiece could cause the staple to completely miss the workpiece and result in serious personal injury.

Do not drive staples near the edge of the material. The workpiece may split, causing the staple to ricochet, injuring you or a coworker. Be aware that the staple may follow the grain of the wood, causing it to protrude from the side of the work material or defect, possibly causing injury.

Keep hands and body parts clear of the immediate work area. Hold the workpiece with clamps when necessary to keep hands and body out of potential harm. Make sure that the workpiece is properly secured before pressing the fastener against the material. The workpiece contact may cause the work material to shift unexpectedly.

Keep face and body parts away from the back of the tool cap when working in restricted areas. Sudden recoil can result in impact to the body, especially when stapling into hard or dense material.

During normal use, the product will recoil immediately after driving a fastener. This is a normal function of the product. Do not attempt to prevent the recoil by holding the stapler against the workpiece.

Grip the handle firmly, let the product do the work and do not place a second hand on top of the product or near the exhaust at any time. Failure to heed this warning can result in serious personal injury.

Do not drive fasteners on top of other fasteners or with the product at an overly steep angle as this may cause deflection of fasteners, which could cause injury.

Always check the work area for hidden wiring, gas lines, and water lines before using the product on such work area.

Adjust the driving depth of the staple before the actual work. It is advisable to test the depth on a scrap workpiece to determine the required depth for the application.





Only fasteners matching the description in the product specifications table can be used with the product. Using incorrect fasteners may lead to jamming or other malfunctions.

Always remove the battery before adjusting the depth of drive.

Do not press the trigger while adjusting the depth of drive.

Do not point the product towards yourself or anyone nearby when adjusting the depth of drive.

Clamp the workpiece with a clamping device. Unclamped workpieces can cause severe injury and damage.

Do not switch on the product again after it has stalled. Switching it on again can cause a kickback with high reaction force. Determine why the product has stalled and rectify it, paying heed to the safety instructions.

Ambient temperature range for tool during operation is between 0°C and 40°C.

Ambient temperature range for tool storage is between 0°C and 40°C.

The recommended ambient temperature range for the charging system during charging is between 10°C and 38°C.

### ADDITIONAL BATTERY SAFETY WARNINGS

**⚠ WARNING!** To reduce the risk of fire, personal injury, and product damage due to a short circuit, never immerse your tool, battery pack, or charger in fluid or allow a fluid to flow inside them. Corrosive or conductive fluids, such as seawater, certain industrial chemicals, and bleach or bleach containing products, etc., can cause a short circuit.

Do not dispose of used battery packs in the household refuse or by burning them. AEG Distributors offer to retrieve old batteries to protect our environment.

Do not store the battery pack together with metal objects (short circuit risk).

Use only System AEG chargers for charging System AEG battery packs. Do not use battery packs from other systems.

No metal parts must be allowed to enter the battery section of the charger (short circuit risk).

Never break open battery packs and chargers and store only in dry rooms. Keep dry at all times.

Battery acid may leak from damaged batteries under extreme load or extreme temperatures. In case of contact with battery acid wash it off immediately with soap and water. In case of eye contact rinse thoroughly for at least 10 minutes and immediately seek medical attention.

Ambient temperature range for battery during use is between 0°C and 40°C.

Ambient temperature range for battery storage is between 0°C and 20°C.

### SPECIFIED CONDITIONS OF USE

The stapler is intended to drive staples in soft materials, such as wood.

This product is not suitable for fixing electric cables.

The product is intended for consumer use only.

Do not use the product for any other purpose.

### BATTERIES

Battery packs which have not been used for some time should be recharged before use.

Temperatures in excess of 50°C (122°F) reduce the performance of the battery pack. Avoid extended exposure to heat or sunshine (risk of overheating).

The contacts of chargers and battery packs must be kept clean.

For an optimum life-time, the battery packs have to be fully charged, after used.

To obtain the longest possible battery life remove the battery pack from the charger once it is fully charged.

#### For battery pack storage longer than 30 days:

- Store the battery pack where the temperature is below 27°C and

away from moisture.

- Store the battery packs in a 30% - 50% charged condition.
- Every six months of storage, charge the pack as normal.

### TRANSPORTING LITHIUM BATTERIES

Lithium-ion batteries are subject to the Dangerous Goods Legislation requirements.

Transportation of those batteries has to be done in accordance with local, national and international provisions and regulations.

- The user can transport the batteries by road without further requirements.
- Commercial transport of Lithium-Ion batteries by third parties is subject to Dangerous Goods regulations. Transport preparation and transport are exclusively to be carried out by appropriately trained persons and the process has to be accompanied by corresponding experts.

#### When transporting batteries:

- Ensure that battery contact terminals are protected and insulated to prevent short circuit.
  - Ensure that battery pack is secured against movement within packaging.
  - Do not transport batteries that are cracked or leak.
- Check with forwarding company for further advice.

### BATTERY PACK PROTECTION LI-ION BATTERY

The battery pack has overload protection that protects it from being overloaded and helps to ensure long life. Under extreme stress the battery electronics switch off the machine automatically. To restart, switch the machine off and then on again. If the machine does not start up again, the battery pack may have discharged completely. In this case it must be recharged in the battery charger.

### MAINTENANCE

Use only AEG accessories and AEG spare parts. Should components need to be replaced which have not been described, please contact one of our AEG service agents (see our list of guarantee/service addresses).

If needed, an exploded view of the tool can be ordered. Please state the Article No. as well as the machine type printed on the label and order the drawing at your local service agents or directly at:

#### Techtronic Industries Australia Pty Ltd

PO Box 1065  
Mount Waverley VIC 3149  
Tel. no. 1300 234 797  
Australia

#### Techtronic Industries N.Z. Limited

PO Box 12-806  
Penrose AUCKLAND 1642  
Tel. no. 0800 234 797(0800 AEGPWR)  
New Zealand

### SYMBOLS



Read the instructions carefully before starting the product.



CAUTION! WARNING! DANGER!











Remove the battery pack before starting any work on the product.



Accessory - Not included in standard equipment, available as an accessory.





	Fastener gauge
	Fastener length
	Fastener width
	Wear eye protectors.
	Keep hands away.
$n_0$	No-load speed
V	Volts
	Direct current
	Regulatory Compliance Mark (RCM). Product meets applicable regulatory requirements.
	<p>Do not dispose of waste batteries, waste electrical and electronic equipment as unsorted municipal waste. Waste batteries and waste electrical and electronic equipment must be collected separately.</p> <p>Waste batteries, waste accumulators, and light sources have to be removed from the equipment.</p> <p>Check with your local authority or retailer for recycling advice and collection point.</p> <p>According to local regulations, retailers may have an obligation to take back waste batteries and waste electrical and electronic equipment free of charge.</p> <p>Your contribution to the reuse and recycling of waste batteries and waste electrical and electronic equipment helps to reduce the demand of raw materials.</p> <p>Waste batteries, in particular containing lithium, and waste electrical and electronic equipment contain valuable and recyclable materials, which can adversely impact the environment and the human health if not disposed of in an environmentally compatible manner.</p> <p>Delete personal data from waste equipment, if any.</p>

## TROUBLESHOOTING



PROBLEM	POSSIBLE CAUSE	SOLUTION
Product does nothing or operates sluggishly	Exposure to low temperatures.	Allow product to warm to proper operating temperature.
	Exposure to high temperatures.	Allow product to cool to proper operating temperature.
Product jams frequently	Incorrect fasteners	Verify that fasteners are of the correct size.
	Damaged fasteners	Replace fasteners.
	Loose magazine	Tighten screws.
	Dirty magazine	Clean magazine.
	Worn or damaged driver	Contact Authorised Service Centre for repair.







# AEG



[www.aegpowertools.com.au](http://www.aegpowertools.com.au)  
[www.aegpowertools.co.nz](http://www.aegpowertools.co.nz)

**Techtronic Industries Australia Pty Ltd**

31 Gilby Road, Mount Waverley,  
VIC, 3149, Australia

**Techtronic Industries N.Z. Limited**

Unit C, 70 Business Parade South,  
Highbrook, Auckland 2013, New Zealand

961043014-01A

*AEG is a registered trade mark used under  
license from AB Electrolux (publ).*

