



OWNERS MANUAL



Fast Dome BlockOut 3.6M

10001985

www.oztrail.com

PRODUCTS & PARTS

Thank you for purchasing this quality OZtrail® product. Please keep this owner's manual in a safe and dry place, it contains important and helpful information.

- OZtrail® shelters are designed as a portable and temporary structure, they are not designed to be a permanent structure. OZtrail® shelters are not designed to cover cars or boats.
- Do not leave the shelter unattended in heavy rain. In rain make sure water does not pond on the canopy. The weight of the water could cause breakage and collapse.
- Always secure your shelter firmly to the ground ensuring all peg points and guy ropes are utilised and remain firm. In heavy rain or winds, the shelter should be packed away to avoid any accidental breakages or injuries.
- Do not fold up the shelter with the canopy or accessories still attached.
- The BlockOut® coating applied to this canopy can be subject to a small amount of light coming through in the form of a speckle effect. This can look like there are very small holes in the canopy which isn't the case. This does not impact the performance of waterproofing or the BlockOut® feature. If your canopy has a hole in it, please contact the place of purchase.

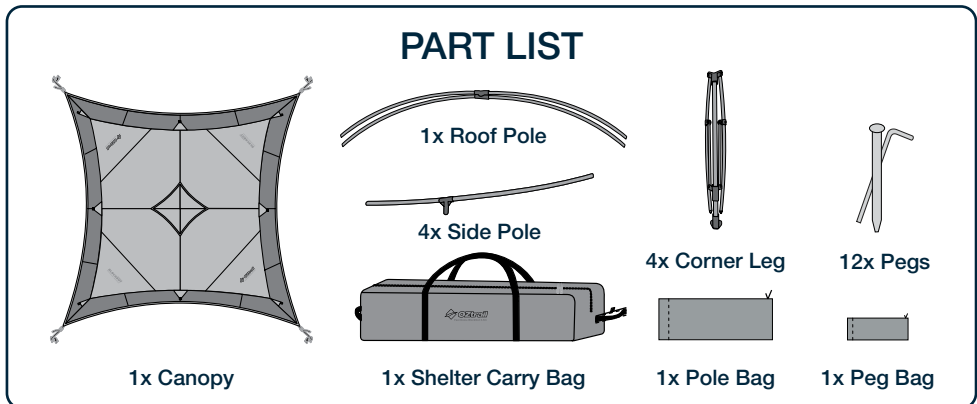
PLEASE NOTE

Due to our continual product development, specifications, parts and features of your purchase may vary from details within this owner's manual.

The following parts are included for product code 10001985

PART DESCRIPTION

- ✓ 1x Canopy
- ✓ 1x Roof Pole
- ✓ 4x Side Pole
- ✓ 4x Corner Leg
- ✓ 12x Pegs
- ✓ 1x Shelter Carry Bag
- ✓ 1x Pole Bag
- ✓ 1x Peg Bag



WARRANTY

OZtrail® warrants this product against defect for a period of one year from the date of purchase.

OZtrail® will repair or replace the product, at discretion, should a warrantable defect arise within the warranty period. If the exact same model is unavailable a model of equivalent nature will be substituted at discretion.

This warranty excludes faults or failures caused by improper use and/or abuse; fair wear and tear; or failure to follow instructions regarding care and maintenance.

Products used for a commercial nature are not covered by this warranty against defects.

A warranty may be claimed by returning the product to its place of purchase, with a detailed proof of purchase clearly showing dates and detail.

You may also contact OZtrail®
by phone: +61 7 3193 1110
by writing: PO Box 111, Eagle Farm, QLD 4009
by email: warranty@oztrail.com.au

The benefits under OZtrail®'s warranty against defects are in addition to other rights and remedies under law in relation to goods.

Our goods come with guarantees that cannot be excluded under the Australian Consumer Law. You are entitled to a replacement or refund for a major failure and for compensation for any other reasonably foreseeable loss or damage. You are also entitled to have the goods repaired or replaced if the goods fail to be of acceptable quality and the failure does not amount to major failure.

For more detailed information and an explanation of these terms see www.oztrail.com.au/warranty

PLEASE NOTE

Accessories shown may be for display purpose only and not included with the purchase. Due to our policy of continual product development, specifications and features of this product may vary from what is stated within this owners manual.

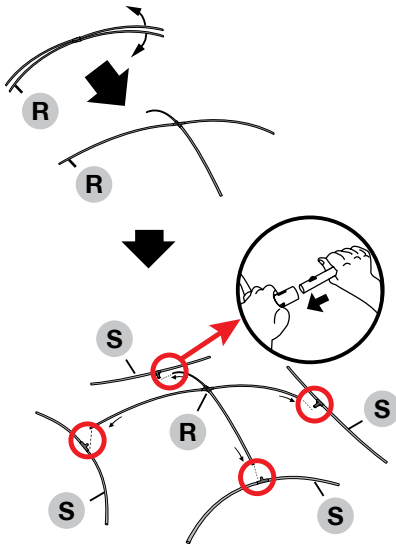
INSURANCE, YOUR PROTECTION AGAINST THE UNEXPECTED

Most people have problems from unexpected sources. Extreme weather is a good example of an unexpected source. Make sure that you place your expensive camping products on your Home and Contents Insurance policy. Most insurers will cover storm damage to your tent or any other products that fall outside of warranty.

ASSEMBLY INSTRUCTIONS

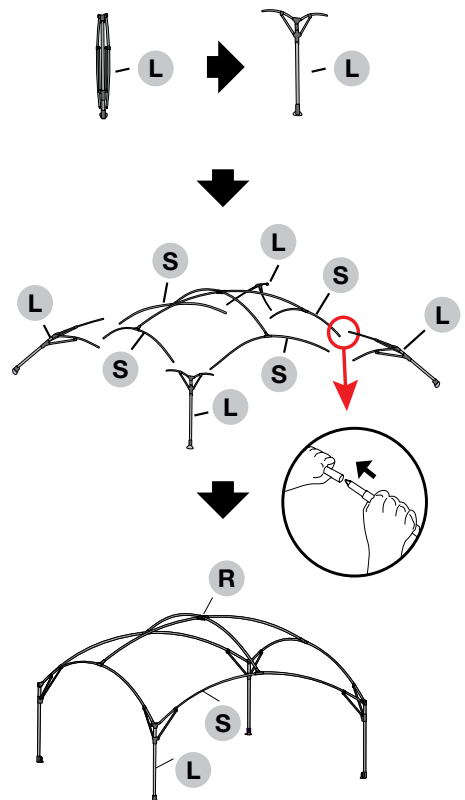
STEP 1: ASSEMBLE FRAME

1. Choose a suitable, flat and level area to set up the shelter.
2. Lay out all components to ensure you've got everything.
3. Assemble the roof pole and pivot into X position, ready for the next step.
4. Assemble the side pole, insert the roof pole into the plastic connector on the side pole, repeat on the other three sides.



STEP 2: ASSEMBLE FRAME

1. Assemble all four corner legs and lay out on the ground near where they need to go.
2. Insert side poles into corner leg assembly on both sides.
3. Repeat on other corners.



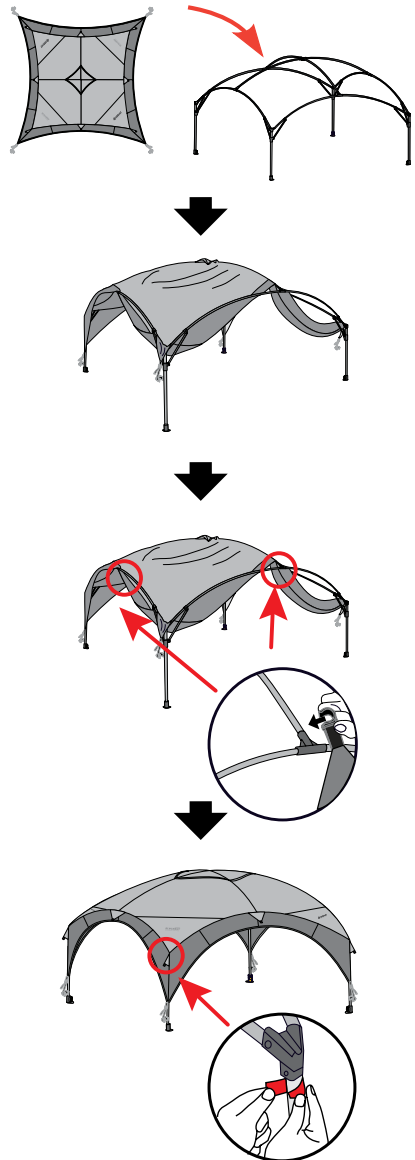
ASSEMBLY INSTRUCTIONS

STEP 3: ATTACHING THE CANOPY

1. Unfold the canopy and carefully pull over the frame. Fold back one of the corners of the canopy to allow easy access inside the shelter.

NOTE: Do not force the canopy over if it's stuck, this may result in damage to the canopy.

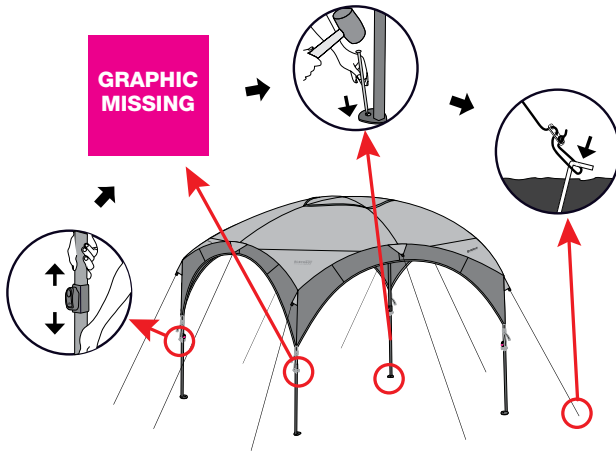
2. Attach the canopy to the roof pole using the clip found near the side pole plastic connector, repeat on other sides.
3. Attach the canopy to the top of the corner leg with the hook and loop tab, repeat on other corners.



ASSEMBLY INSTRUCTIONS

STEP 4: FINISH ASSEMBLY AND SECURE SHELTER TO GROUND

1. Raise corner leg assembly until it locks into place, adjust height by clicking the yellow locking mechanism and raising / lowering to desired height.
2. Attach canopy to bottom section of corner leg with the square webbing clip, tighten to suitable tension. Then repeat steps 1 and 2 on other corners.
3. Straighten corner leg and then secure to ground by putting a peg into the foot, repeat on other corners.
4. Secure all guy ropes to the ground.

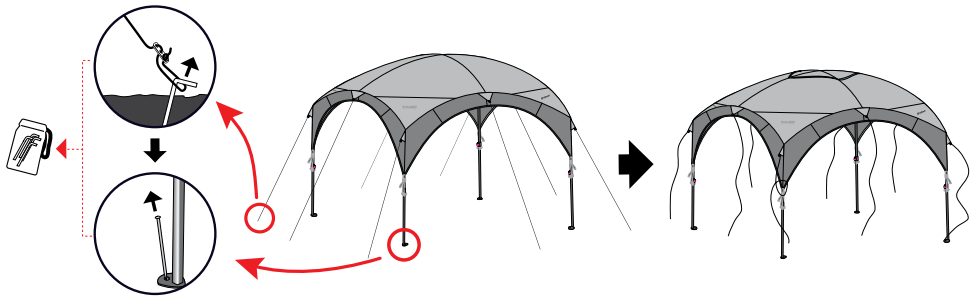


PACK DOWN INSTRUCTIONS

STEP 1: START PACK DOWN PROCESS

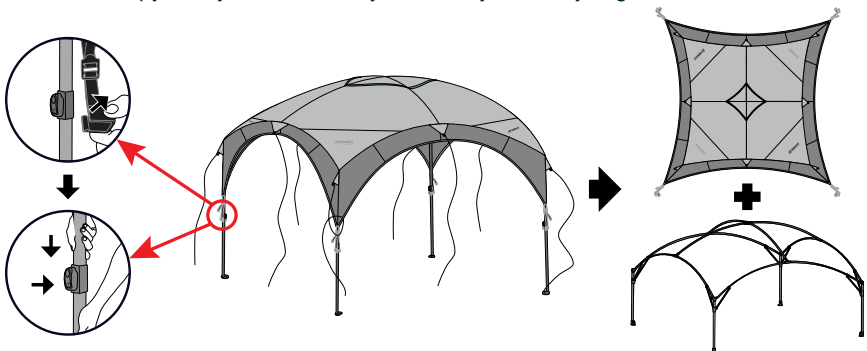
1. Remove pegs from guy ropes, neatly store the peg in the peg bag and roll the rope up.
2. Remove pegs from corner leg feet and neatly store into peg bag.

TIP: If packing down in windy conditions, we recommend having 4 people to assist. Have one person on each corner leg holding it while someone pulls the ropes out and move to the next steps listed below. OZtrail® holds no liability if the shelter is damaged or persons injured when packing down in bad weather conditions not following these directions.



STEP 2: REMOVE CANOPY AND LOWER FRAME

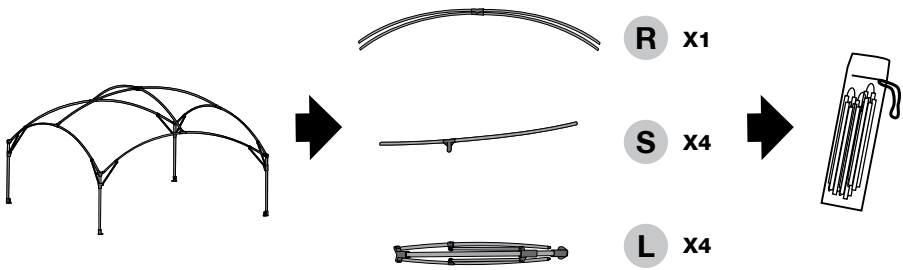
1. Remove the webbing clip from the corner leg, repeat on other sides.
2. Adjust corner leg down to lowest position, repeat on other sides.
3. Remove the hook and loop tabs attaching the canopy to the top of the corner leg, repeat on other sides.
4. Remove the clip attaching the reinforcing tab on the canopy to roof side pole, repeat on other sides.
5. Remove the canopy slowly and then neatly store away into carry bag.



PACK DOWN INSTRUCTIONS

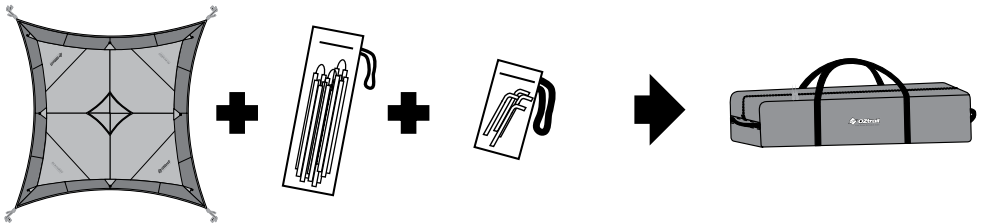
STEP 3: PACK DOWN FRAME

1. Remove corner leg assembly from the side roof pole on both sides, carefully lower onto ground, collapse corner leg assembly, repeat on other corners.
2. Remove side roof pole from plastic connector, carefully lower onto ground, collapse roof pole down, repeat on other sides.
3. Pivot centre roof pole to join together, collapse down.
4. Pack frame components into included storage bag.



STEP 4: PACK AWAY INTO BAG

1. Neatly pack all components away into carry bag.



TIP: Refer to care instructions listed throughout this manual and on the product, otherwise you may void your warranty by not following these directions.

CORRECT FITTING PROCEDURE & CONDITIONING YOUR CANOPY

Once you have purchased your shelter, it is important to learn how to condition the canopy and to fit the canopy correctly to minimise the risk of water collecting on the canopy. Simply pitch your shelter and wet the canopy down with your garden hose until the fabric and all seams are saturated. Pay particular attention to the seams - the thread swells when wet and blocks the needle holes. The needle holes also shrink around the thread. The fabric also benefits from this because the fibre swells into the weave and the waterproof treatment settles within the fabric. Let the canopy dry completely before repeating this wetting and drying process until there is no leakage during hosing. Always pack your canopy away dry.

It is important to note during this process the flow of water off the canopy and the importance of fitting the canopy correctly and avoiding panels of the canopy without the tension. During rain, roof panels without tension will allow water to collect into ponds instead of running off. To avoid water collecting ensure the shelter is level and the corners of the canopy are fitted without gathered fabric.

The BlockOut® coating applied to this canopy can be subject to a small amount of light coming through in the form of a speckle effect. This can look like there are very small holes in the canopy which isn't the case. This does not impact the performance of waterproofing or the BlockOut® feature. If your canopy has a hole in it, please contact the place of purchase.

PROLONG THE LIFE OF YOUR SHADE DOME

- Do not leave the shelter unattended in heavy rain. In rain make sure water does not pond on the canopy. The weight of the water could cause breakage and collapse.
- Always secure your shelter firmly to the ground ensuring all peg points and guy ropes are utilised and remain firm. In heavy rain or winds, remove the canopy and pack shelter away to avoid any accidental damage or injury.
- Do not fold up the shelter with the canopy or accessories still attached.
- Never store a damp or dirty shelter, as mildew and corrosion can form. Always allow the shelter to dry completely before packing and stowing. If mildew occurs, use a soft bristle brush or sponge with mild detergent to clean it off. After beach use or wet weather treat all zips, poles and pegs with silicon spray.
- Always carry a roll of heavy duty tape for simple repairs to small rips, cuts and ash burns. This not only blocks the hole, it will prevent further tearing.
- When removing pegs, do not use the webbing or corner of the wall as your handle. Either use another peg, a peg remover or the claw of a hammer hooked under the peg to remove them.

PLEASE NOTE

OZtrail® shelters are designed for temporary use only. Although our fabrics are treated for UV resistance, continuous exposure to sun light will reduce the life of the fabric. Fading of colour is an early warning sign. OZtrail shelters are not designed as permanent dwellings or structures.

MATERIALS

Frame: Steel with plastic componentry

Canopy: Polyester

CARE INSTRUCTIONS

Wipe down all surfaces with fresh water after use. To remove marks, use a soft brush or sponge with fresh water and mild detergent only and rinse with fresh clean water. Allow to dry thoroughly. After beach use or wet conditions treat all zips and metal components with silicon spray. Never pack away damp, dirty or wet.



IMPORTANT SAFETY & CARE INFORMATION

PLEASE READ THIS BEFORE SETTING UP YOUR PURCHASE

TO PREVENT INJURY CAUSED BY GAS POISONING OR SUFFOCATION WHEN USING A SHADE DOME WITH INNER TENT KITS OR WALL KITS

- Be aware gas, fumes or lack of oxygen within the shelter could result in unconsciousness, brain damage and even death.
- Always ensure your shelter is well ventilated. When using the optional solid wall kits or inner tent, do not close every window or wall. A well ventilated shelter not only maintains healthy oxygen levels but also reduces condensation build up inside the shelter.
- Do not use fuel burning, oxygen consuming devices inside the shelter. This includes candles, gas lanterns, kerosene lamps, stoves, cooking and heating appliances.
- Do not use gas appliances of any kind inside the shelter.

TO PREVENT INJURY CAUSED BY FIRE

- Do not position the shelter near a camp fire or any other flame source.
- Do not use candles, matches or other flames sources near the shelter canopy.
- Only use recommended water repellent compounds on the shelter canopy.
- Do not spray tent fabrics with insecticides.



TO PREVENT INJURY CAUSED BY ELECTRICITY

- Always exercise care when using electricity and electric lighting in and near shelter. Only use 12V lighting.



IMPORTANT SAFETY & CARE INFORMATION

TO PREVENT INJURY CAUSED BY YOUR CAMPING ENVIRONMENT

- Do not position your shelter on an area that could get flooded.
- Do not position your shelter near cliffs in case of collapse or rock fall.



- Do not leave your shelter erected in strong weather conditions.



- Do not position your shelter under trees with dead branches or under trees known to drop branches.



WARRANTY POLICY

1. Products distributed by Adventure Operations Australia Pty Ltd and any of our subsidiaries come with guarantees that cannot be excluded under the Australian Consumer Law. You are entitled to a replacement or refund for a major failure and compensation for any other reasonably foreseeable loss or damage. You are also entitled to have the goods repaired or replaced if products fail to be of acceptable quality and the failure does not amount to a major failure.
2. In addition, we warrant that this product will be free from defects in materials and workmanship under normal use as described in the published product documentation for 1 year from the date of original purchase (Limited Warranty). This Limited Warranty is only valid and enforceable in Australia and will apply only if you have purchased the product from us or our authorised resellers.
3. To the extent permitted by the Australian Consumer Law and any applicable local law:
 - (a) our obligations under this Limited Warranty are limited to the repair, replacement or refund of covered parts that prove defective under normal use during the Limited Warranty and does not extend to any claim for damages that you or any other person may have for any loss (including without limitation consequential damages or loss of profit, freight/shipping or travel costs), or damage howsoever caused whether or not such loss or damage arises as a result of any defect in the product or from the failure or omission on our part to comply with any obligation at law;
 - (b) in replacing a defective product under the Limited Warranty, we may, at its discretion, substitute a model of equivalent nature where the exact model is unavailable;
 - (c) this Limited Warranty does not apply to damage caused by failure and damage caused by improper use and abuse, fair wear and tear, accidents, misuse (including failure to follow instructions regarding care and maintenance of the product), neglect, disassembly, alterations or external causes such as, but not limited to, water damage, exposure to sharp objects, exposure to excessive force, anomalies in the electrical current supplied to the product (if applicable), and extreme thermal or environmental conditions;
 - (d) we may elect, at our discretion and as an alternative to repairing or replacing a defective part to refund the cost of the relevant product upon it being returned to us; and
 - (e) this Limited Warranty does not extend to any products acquired for the purposes of re-supply, or for use in a manufacturing, or repair processes.
4. This warranty may be claimed by: returning the product to its place of purchase, with a detailed proof-of-purchase clearly showing the date and detail of the purchase;
5. If you have any questions concerning this warranty policy, you may contact us in writing: Adventure Operations, 71 Charles Ulm Place, Eagle Farm, 4009 QLD, or by email: warranty@adventureoperations.com or visit our website: www.adventureoperations.com

TO THE EXTENT PERMITTED BY LAW, ADVENTURE OPERATIONS AUSTRALIA PTY LTD, ITS SUBSIDIARIES AND ITS VENDORS DISCLAIM ANY IMPLIED WARRANTIES OF MERCHANTABILITY OR FITNESS FOR A PARTICULAR PURPOSE OR ANY SIMILAR STANDARD IMPOSED BY APPLICABLE LEGISLATION AND ADVENTURE OPERATIONS AUSTRALIA PTY LTD AND ITS SUBSIDIARIES' RESPONSIBILITY TO REPAIR, REPLACE, OR OFFER A REFUND FOR DEFECTIVE PRODUCTS IS THE SOLE AND EXCLUSIVE REMEDY PROVIDED TO ITS CUSTOMERS UNDER THIS DOCUMENT.





WARRANTY - For details see www.oztrail.com.au/warranty

OZtrail® is a registered trademark of
Adventure Trading Australia Pty Ltd

Designed by:

Adventure Trading Australia Pty Ltd

71 Charles Ulm Place,
Eagle Farm, QLD 4009
AUSTRALIA



Made in China