

# Mondella

CADENZA  
CURVY CHIC

## CADENZA

**MATTE BLACK**  
VEGE SPRAY  
SINK MIXER

Contemporary designed  
style product

Manufactured to Australian  
Standards AS/NZS3718,  
WMKA21979 DR ApprovalMark

Fitted with approved water saving  
devices. WELS Lic No.1101

Item Number: 0166159  
MON0883



AS/NZS3718  
WMKA21979 DR  
ApprovalMark



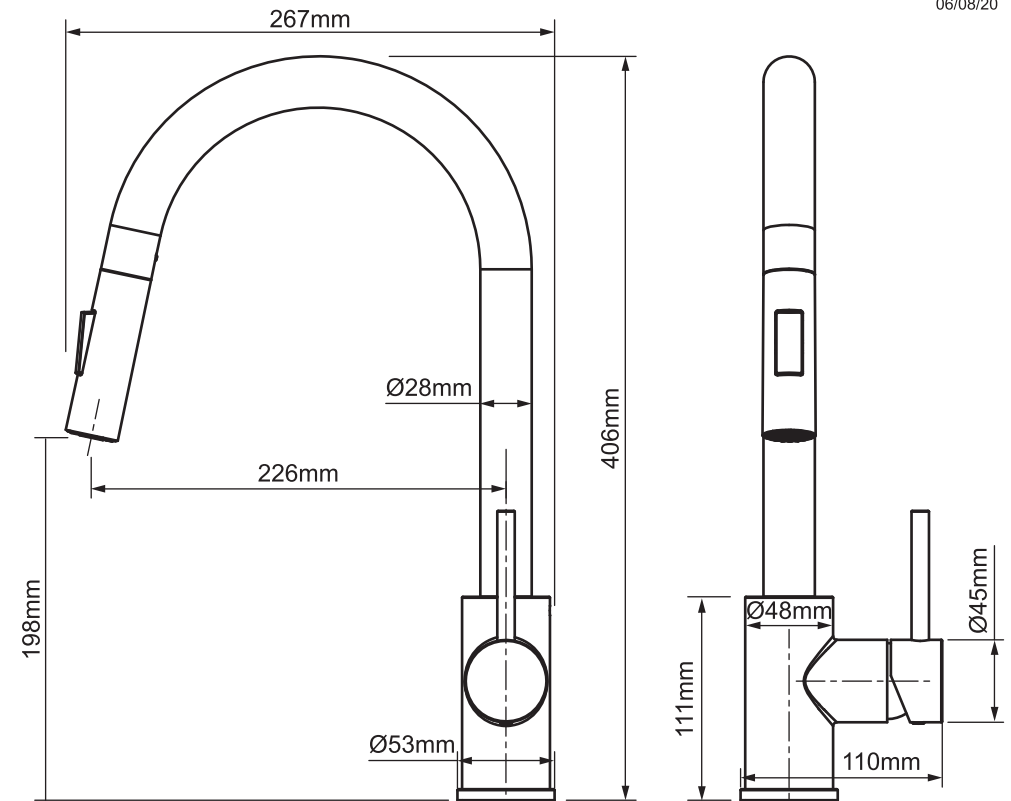
WATER RATING  
www.waterrating.gov.au

6 litres per  
minute

In accordance with AS/NZS 6400

Licence No. | 101  
Kinetic Sourcing Group Ltd

# 10 YEAR WARRANTY\*



\* refer to [www.mondella.com.au](http://www.mondella.com.au) for full warranty details

All dimensions in millimetres (mm) and subject to manufacturing tolerances.