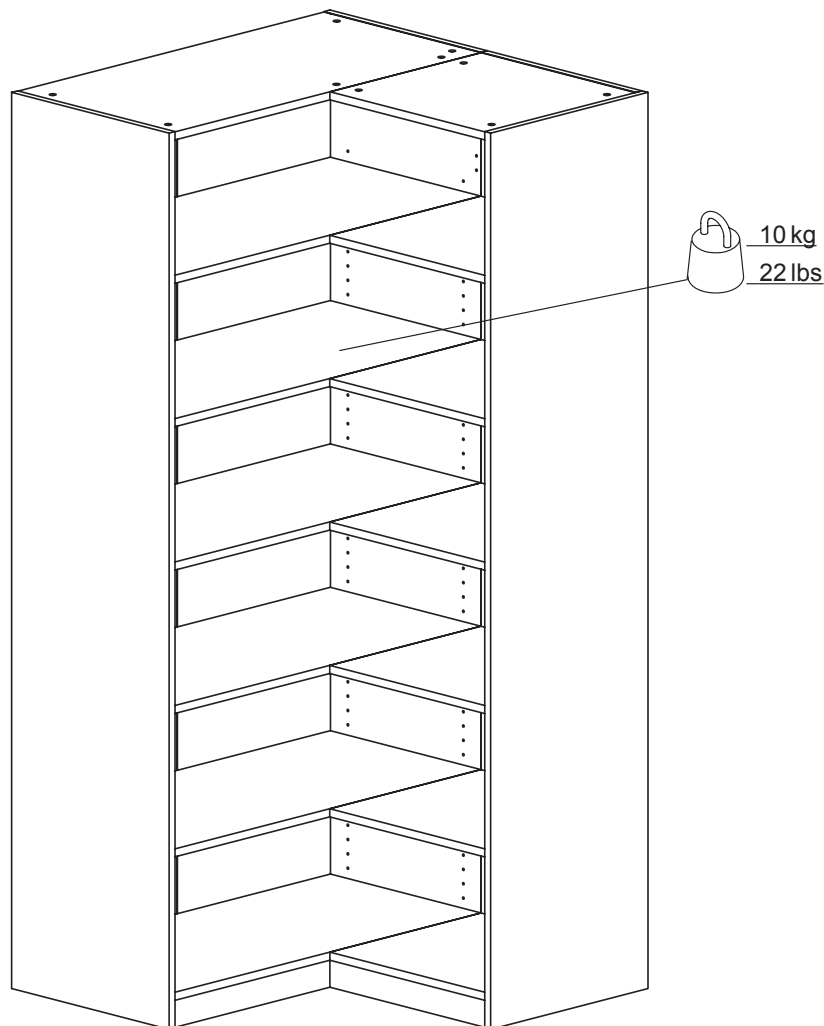




**THIS PRODUCT SHOULD BE ANCHORED TO A WALL OR OTHER SUITABLE SURFACE
TO AVOID SERIOUS INJURY OR DEATH.**

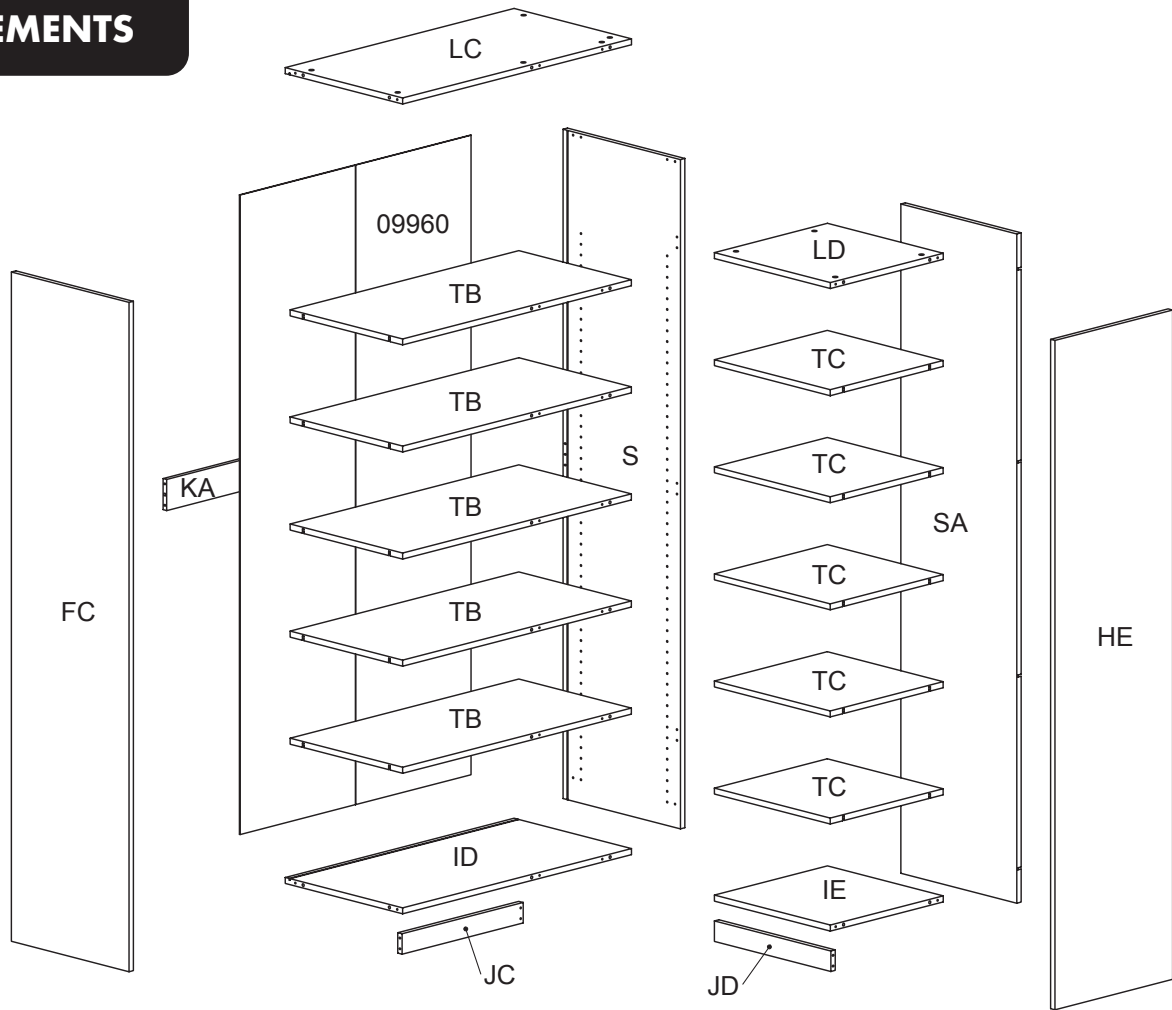
To help avoid any serious injury or death, this product includes an L bracket to prevent toppling. We strongly recommend that this product be permanently fixed to the wall or other suitable surface. Fixing hardware is not included since different surface materials require different attachments. Please seek professional advice if you are in doubt as to which fixing hardware to use. Regularly check your fixing device.



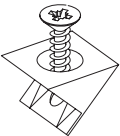
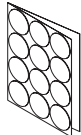
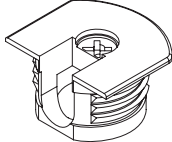

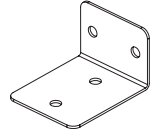
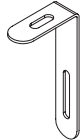
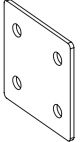

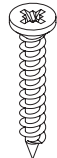


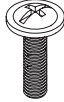

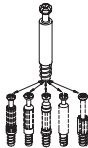
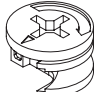
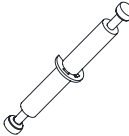
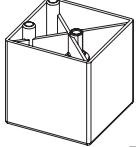
CARE INSTRUCTIONS: We recommend to wipe over with a dry micro-fibre cloth to remove any dust. Avoid using a damp or wet cloth and any cleaning chemicals as this may cause damage to the surface.

WARRANTY INFORMATION: Any claim under this warranty must be made within 6 years of the date of purchase of the product. To make a claim under the warranty, take the product (with proof of purchase) to the store where you purchased the product or contact Visy Retail Services. Visy Retail Services bears reasonable, direct, expenses of claiming under the warranty. The warranty covers manufacturer defects in materials, workmanship and finish under normal use. This warranty is provided in addition to other rights and remedies you may have under law. Our goods come with guarantees which cannot be excluded under the Australian Consumer Law. You are entitled to replacement or refund for a major failure and to compensation for other reasonably foreseeable loss or damage. You are also entitled to have the goods repaired or replaced if the goods fail to be of acceptable quality and the failure does not amount to a major failure. The warranty excludes damage resulting from product misuse or product neglect. The warranty covers domestic use only and does not apply to commercial applications. This warranty is given by Visy Retail Services ABN 42 665 949 673, e-mail: vrs.customerservice@visy.com

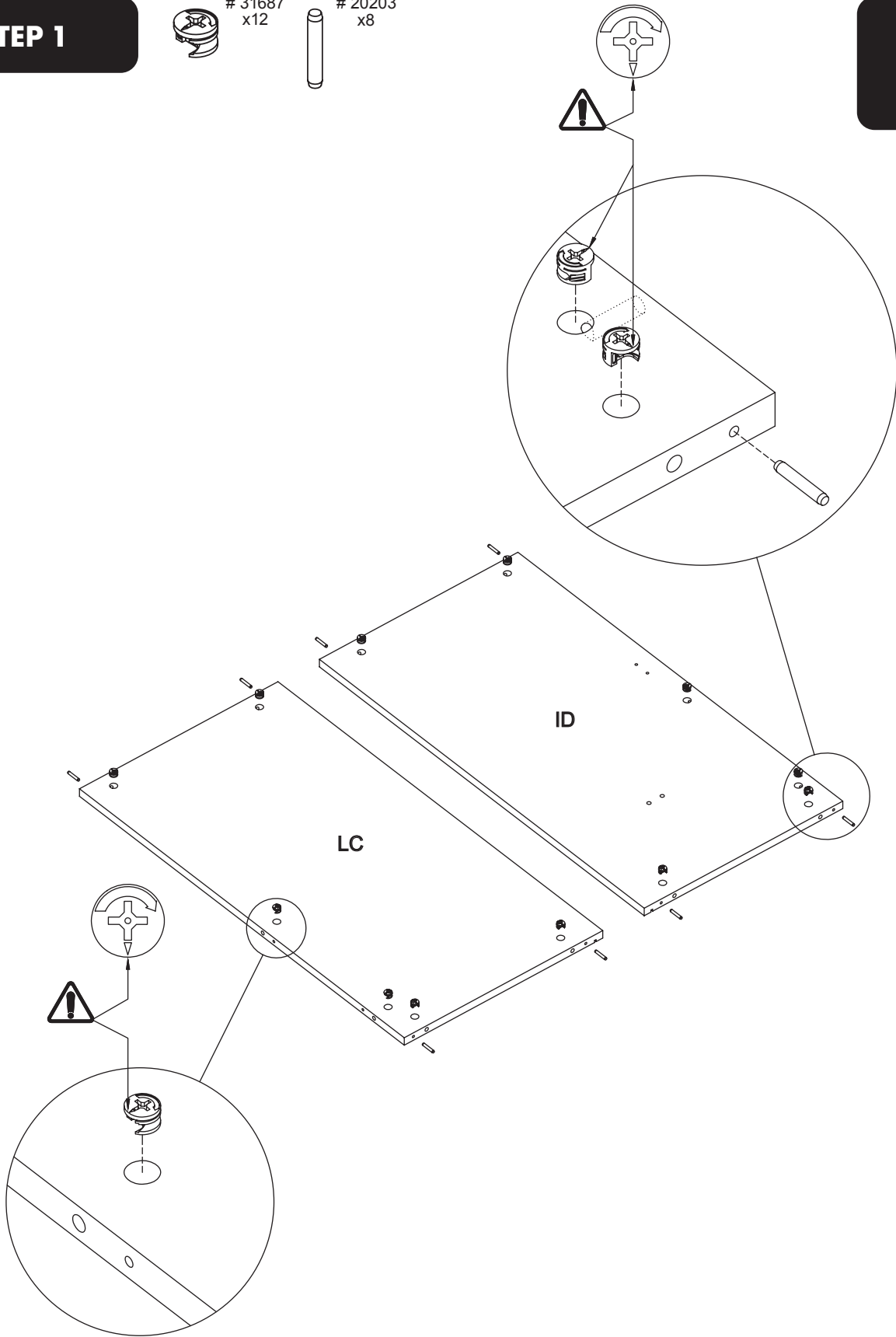
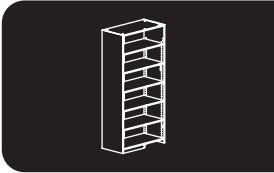
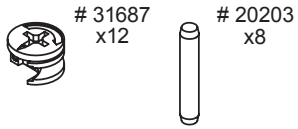
ELEMENTS



HARDWARE

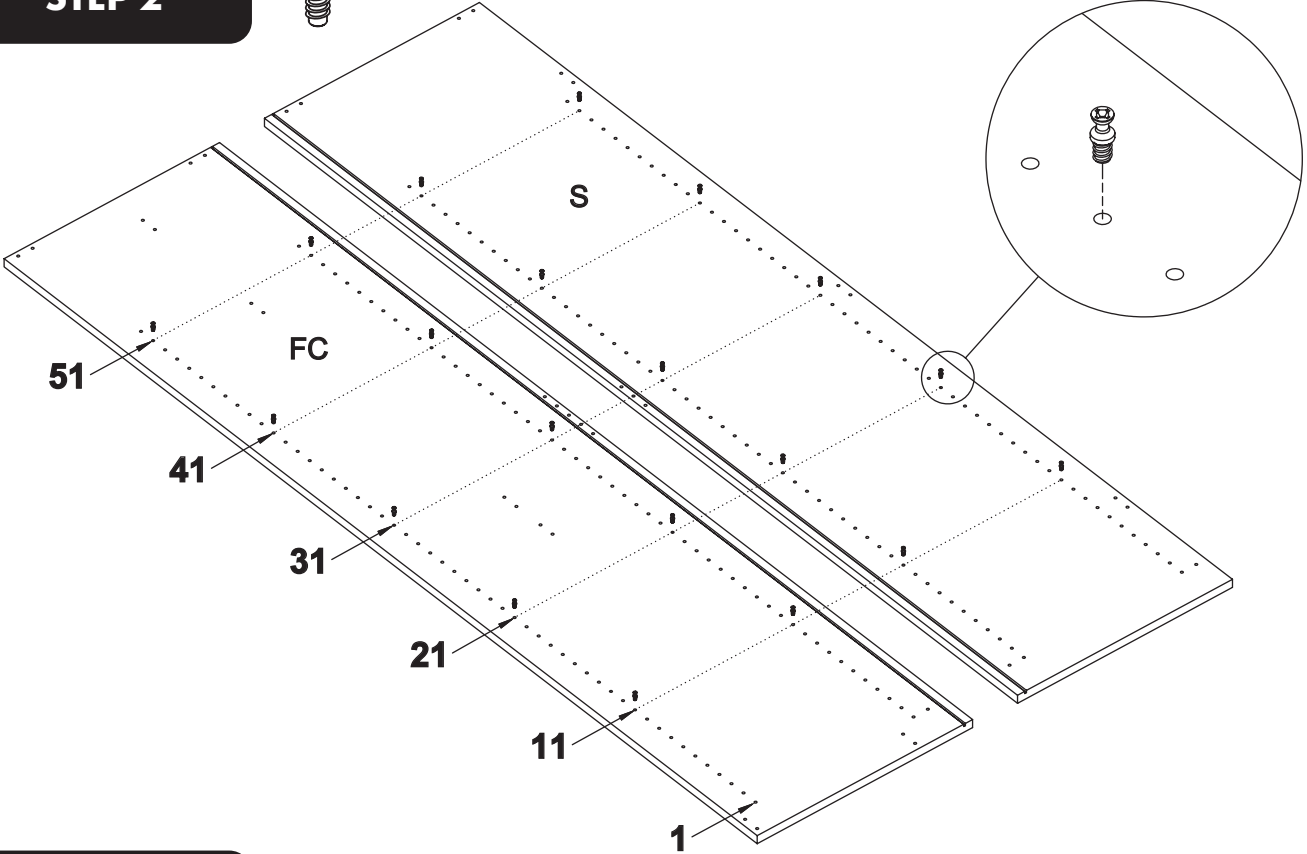
<p>10401</p>  <p>x8</p>	<p>10901</p>  <p>x1</p>	<p>11211</p>  <p>x34</p>	<p>11209</p>  <p>x34</p>	<p>13424</p>  <p>x2</p>	<p>13437</p>  <p>x2</p>
<p>15206</p>  <p>x3</p>	<p>20203</p>  <p>x36</p>	<p>25259</p>  <p>x1</p>	<p>25440</p>  <p>x4</p>	<p>26040</p>  <p>x20</p>	<p>26221</p>  <p>x4</p>
<p>32216</p>  <p>x4</p>	<p>31513</p>  <p>x14</p>	<p>31687</p>  <p>x42</p>	<p>31405</p>  <p>x14</p>	<p>65806</p>  <p>x1</p>	

STEP 1



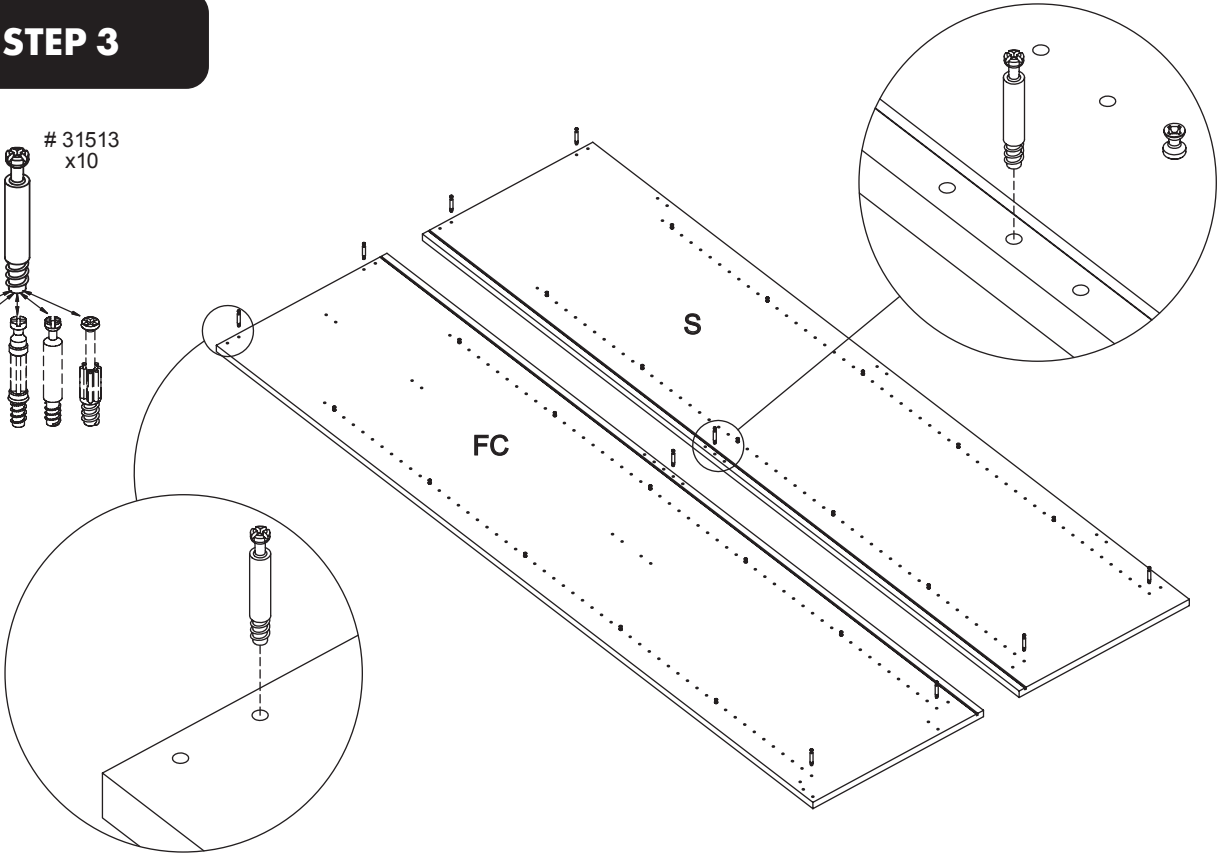
STEP 2

11209
 x20

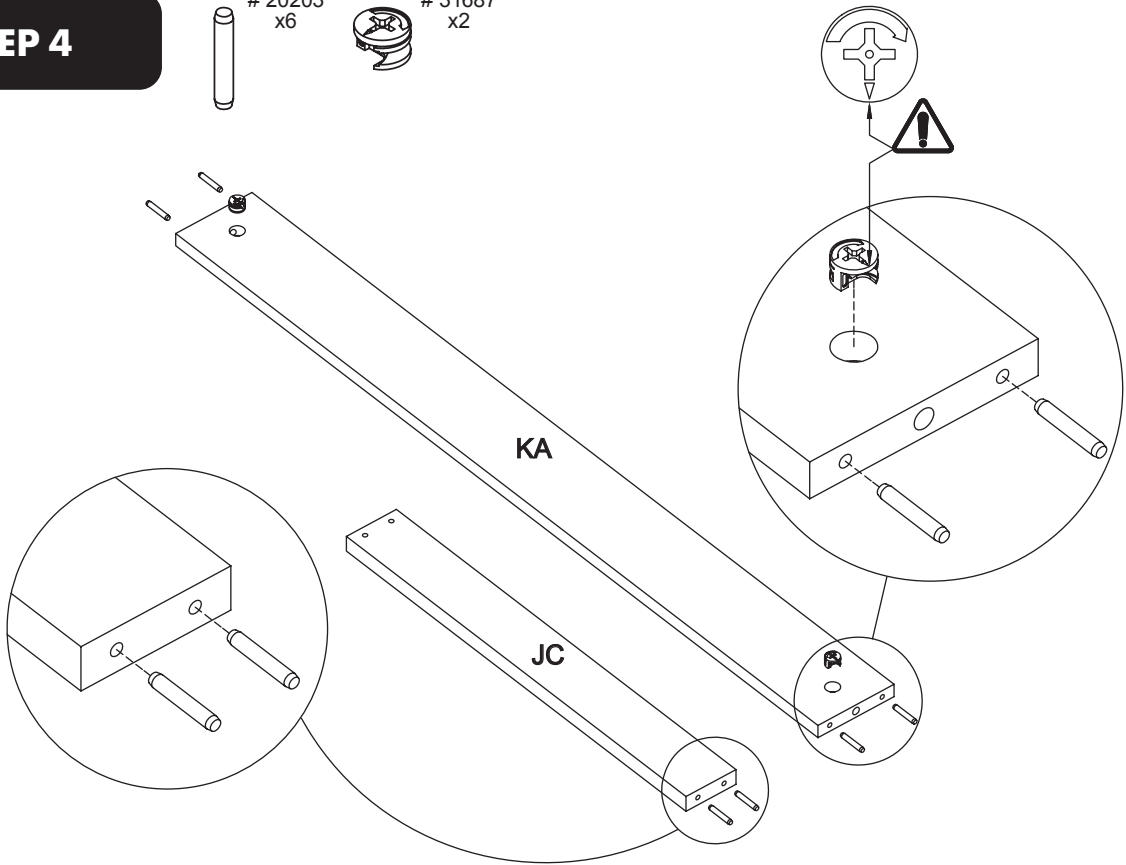


STEP 3

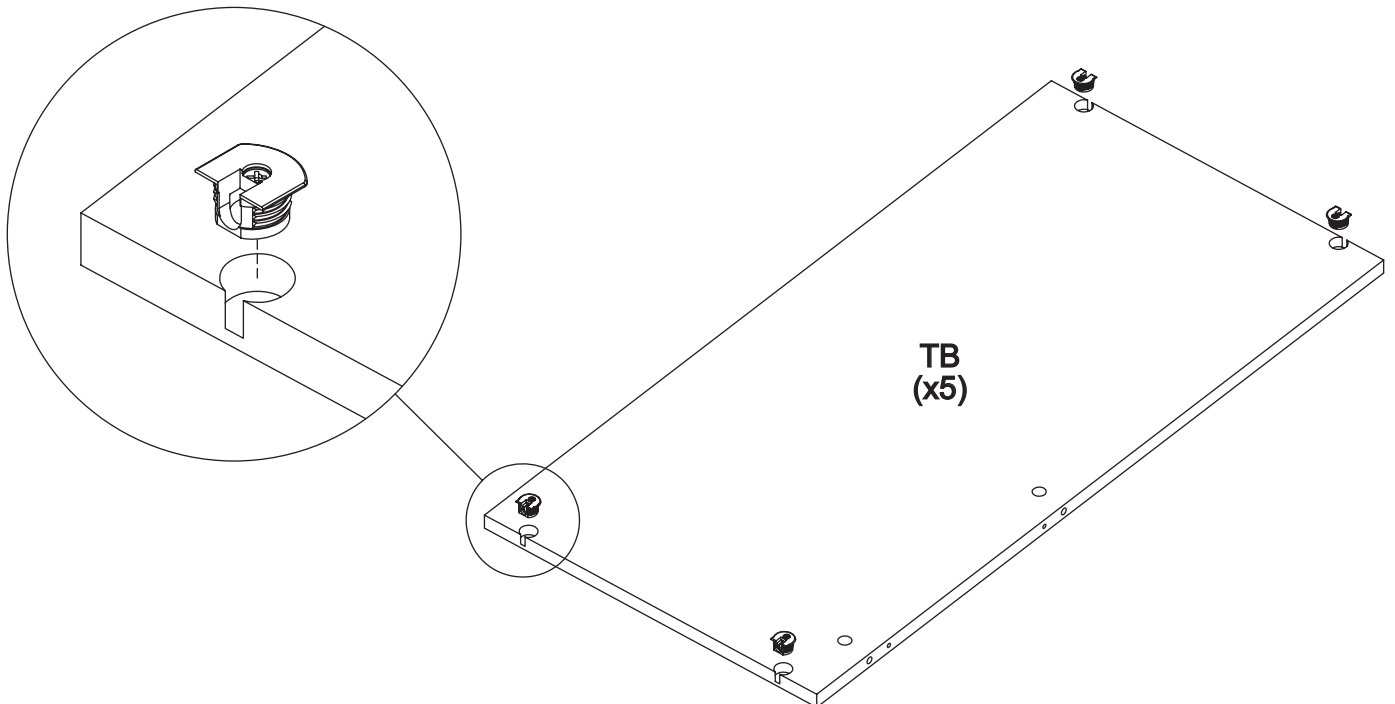
31513
 x10



STEP 4

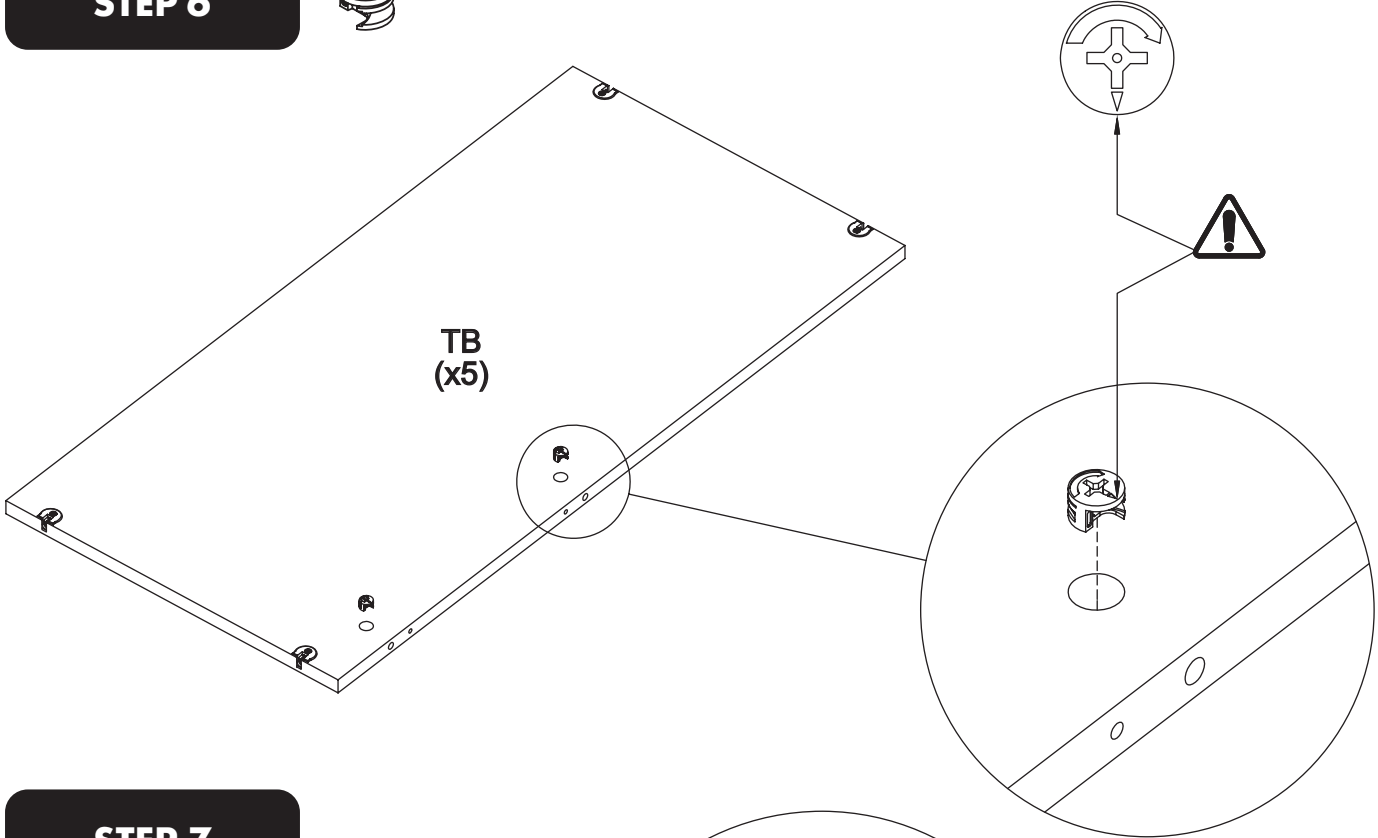


STEP 5

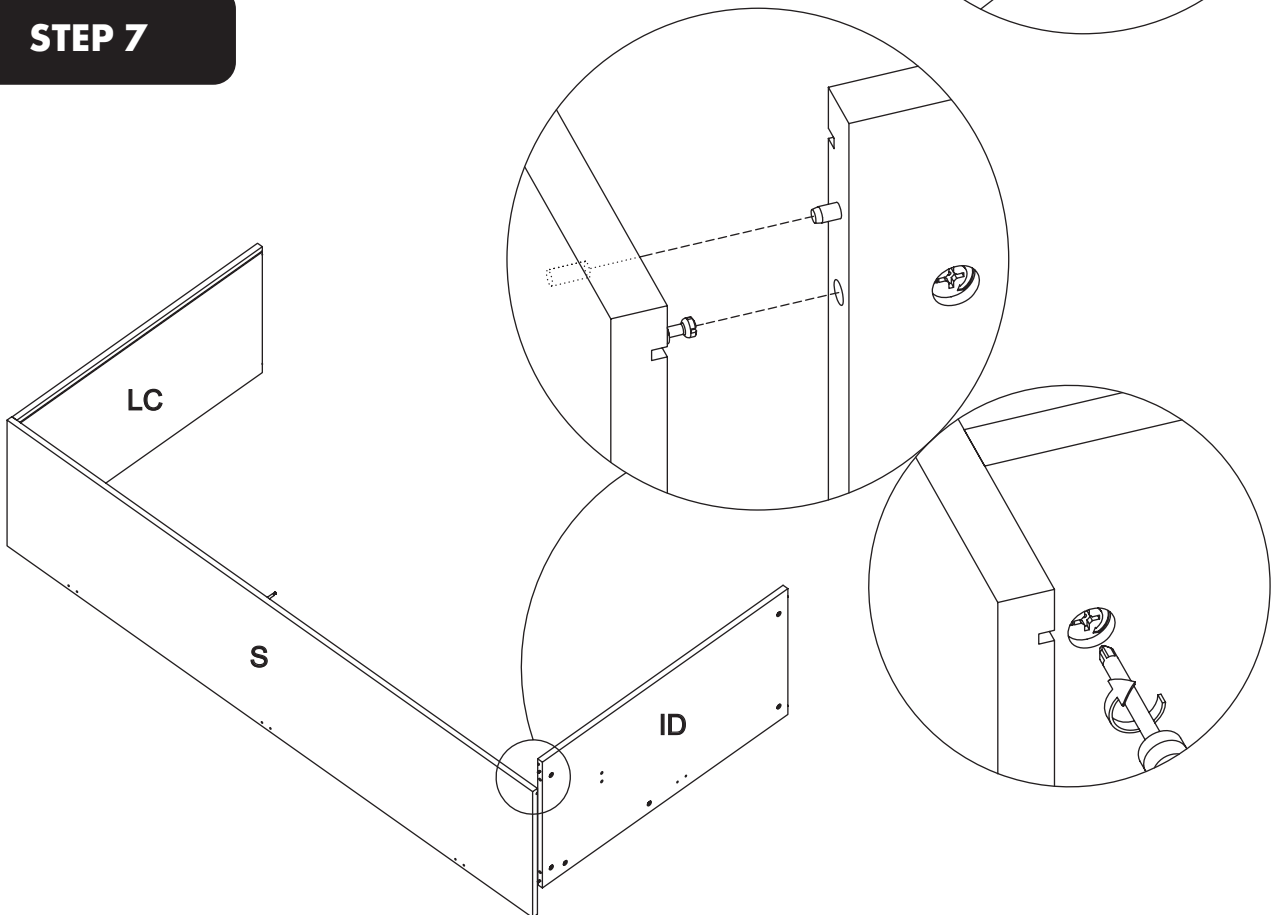


STEP 6

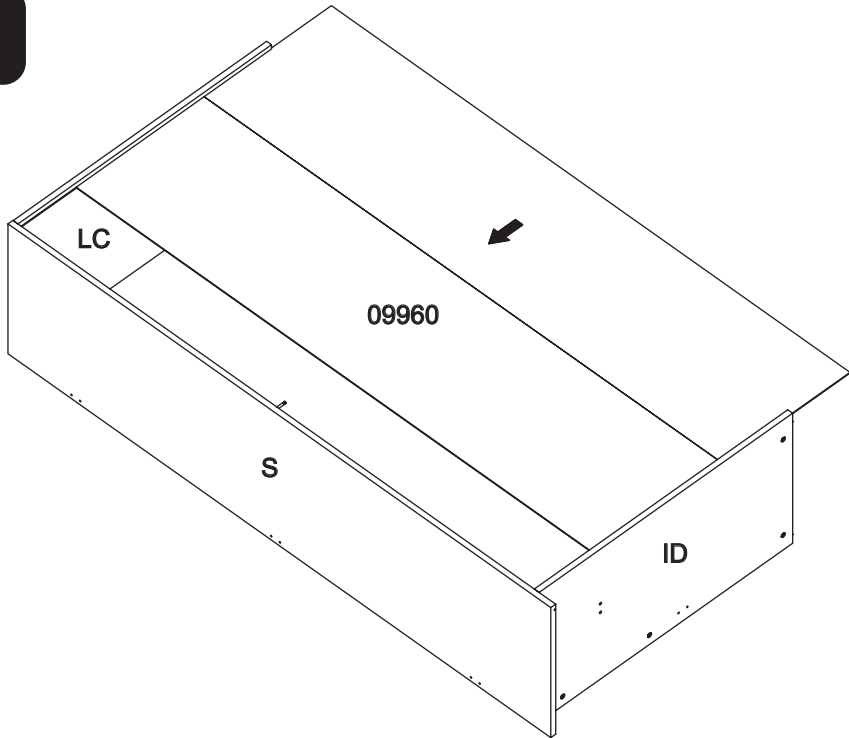
31687
x10



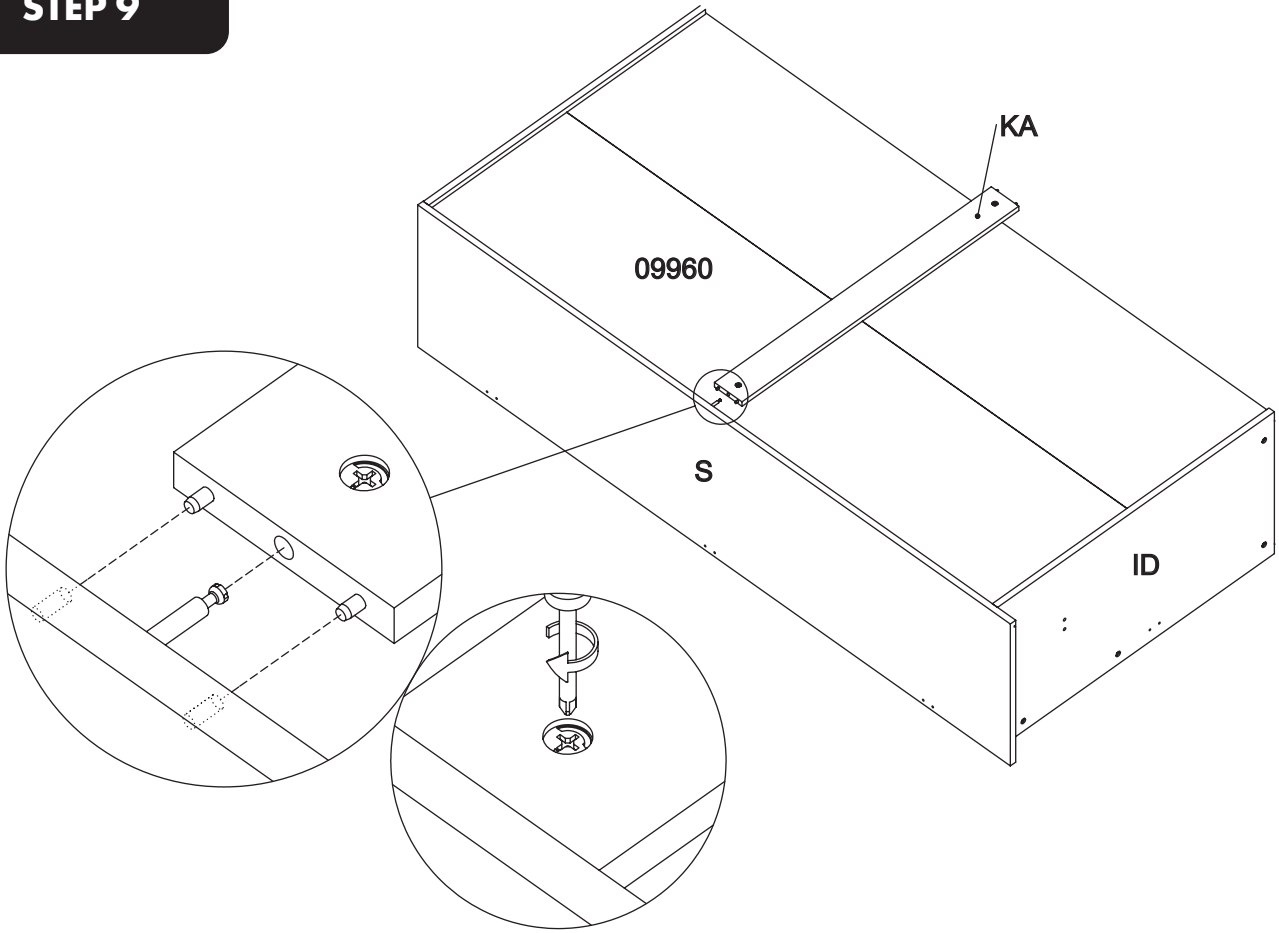
STEP 7



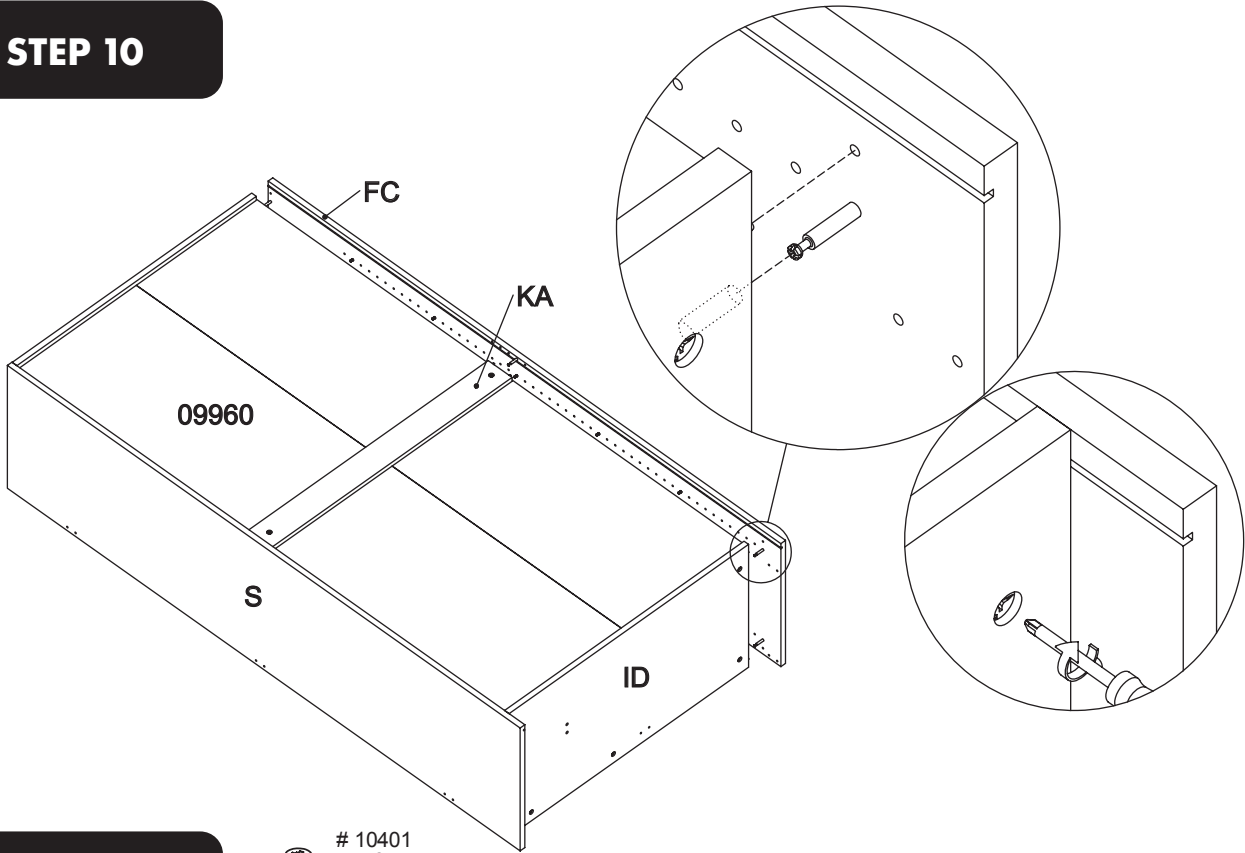
STEP 8



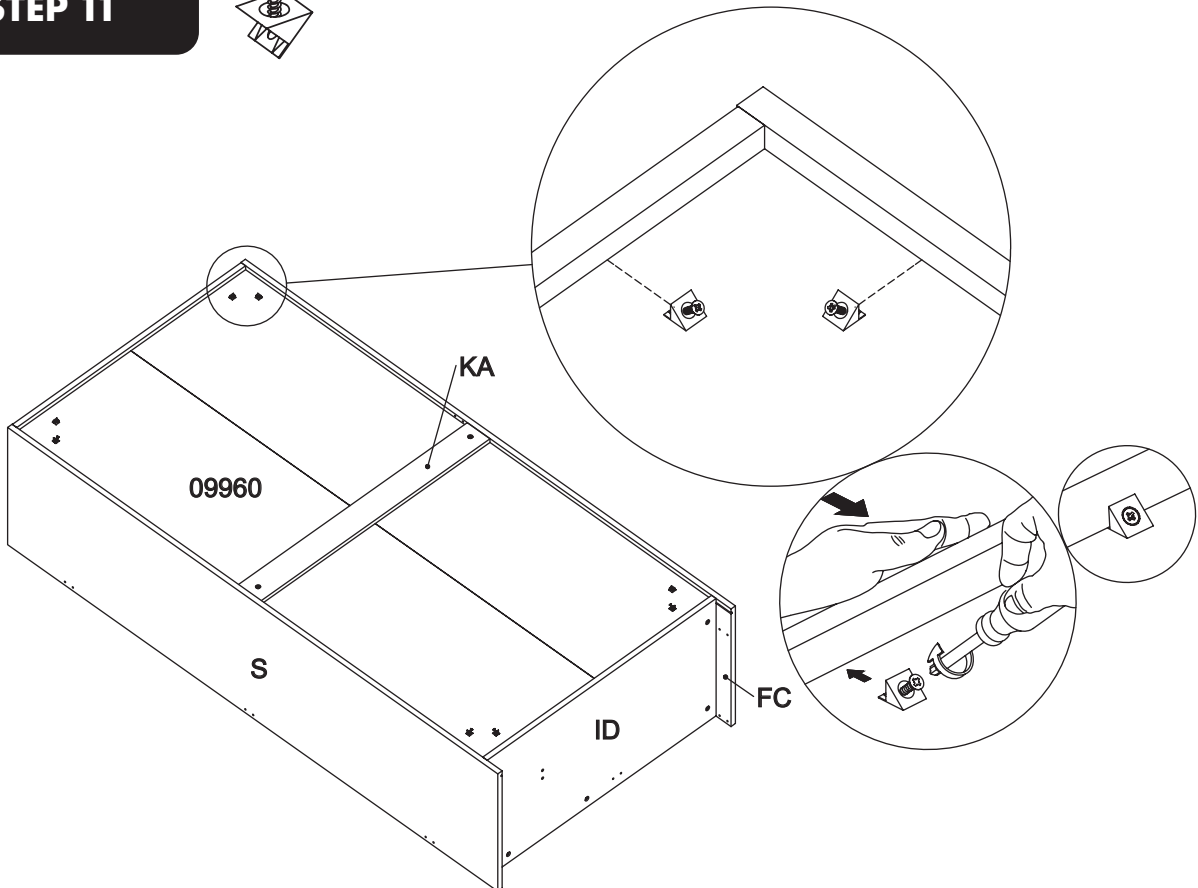
STEP 9



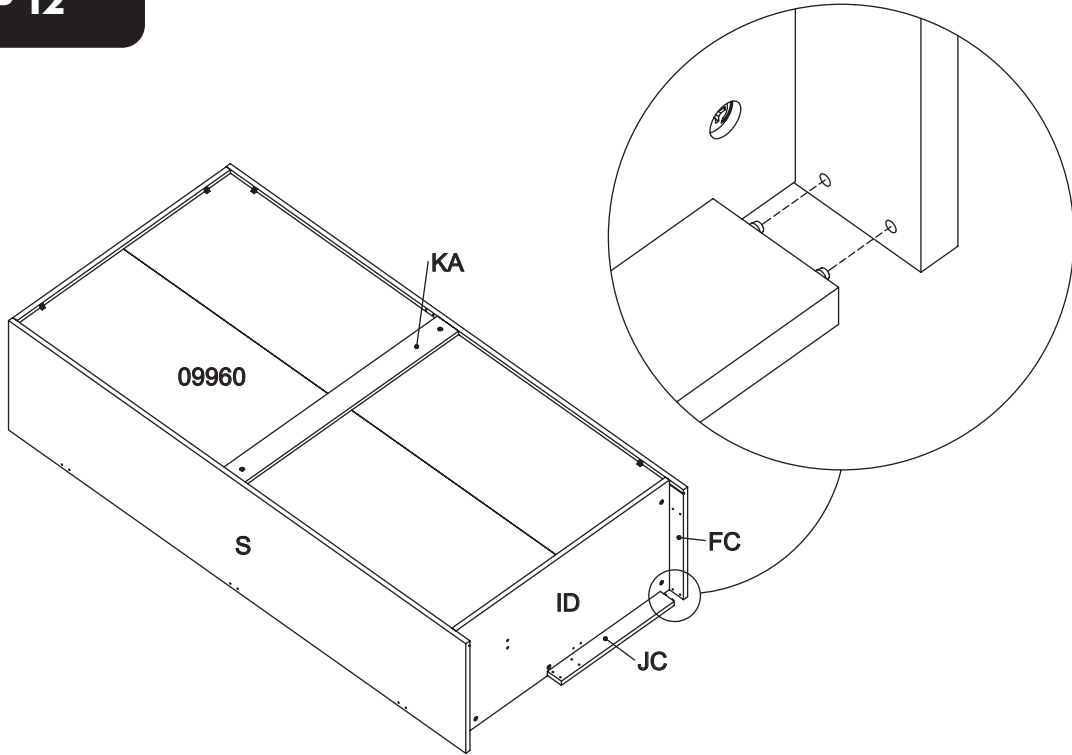
STEP 10



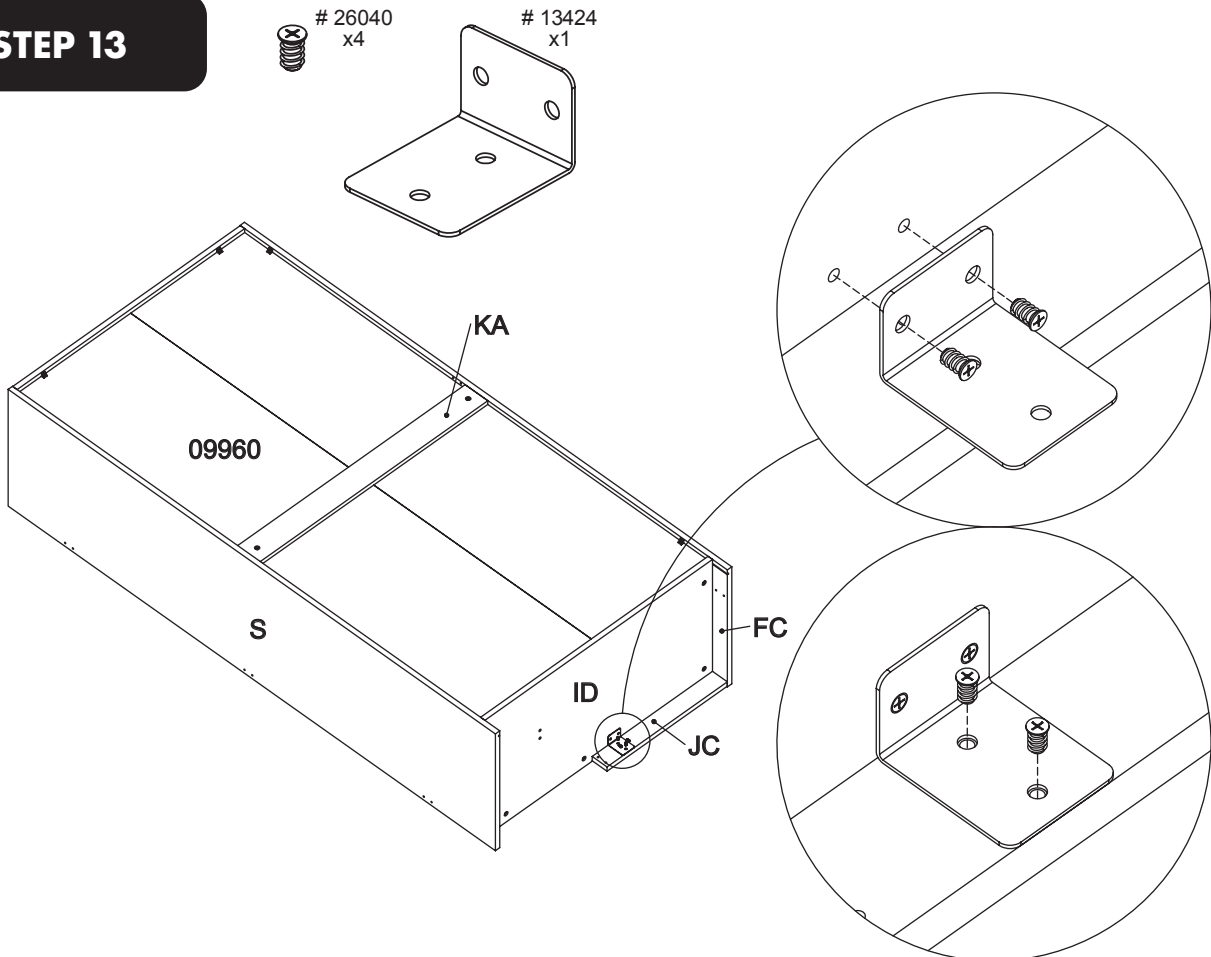
STEP 11



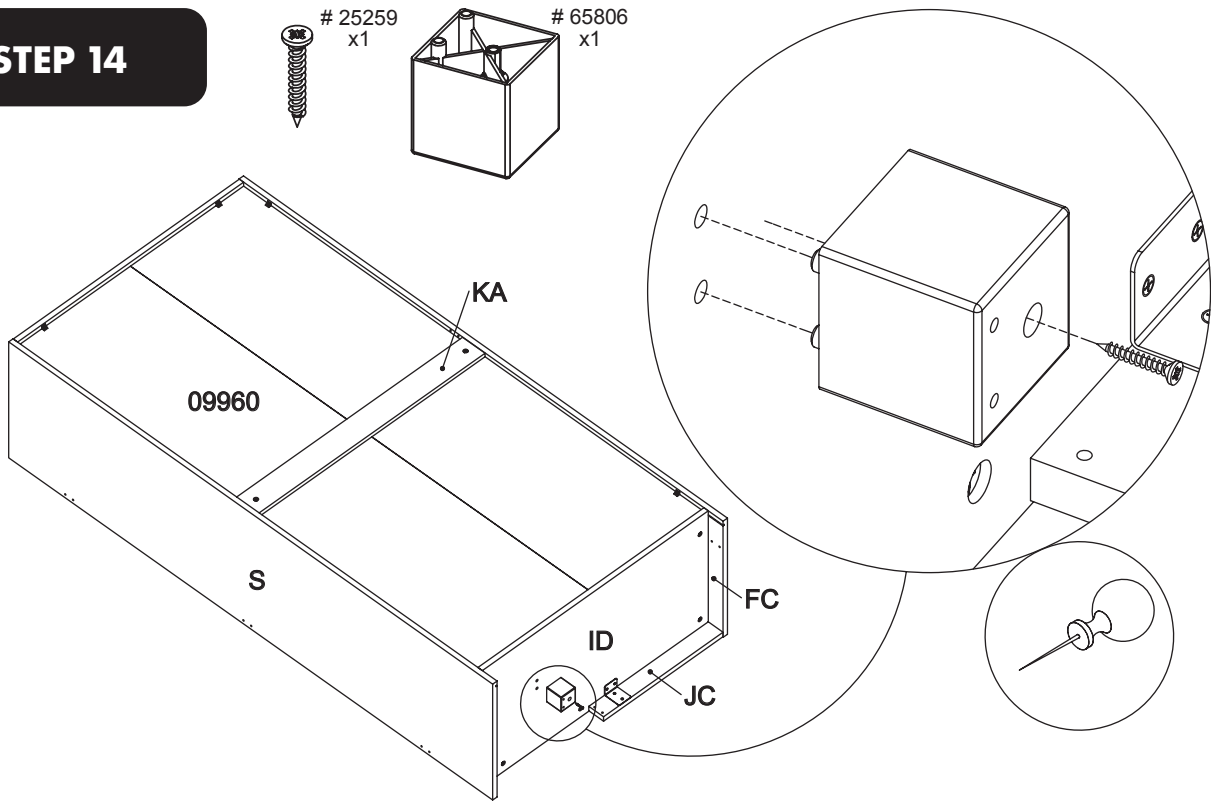
STEP 12



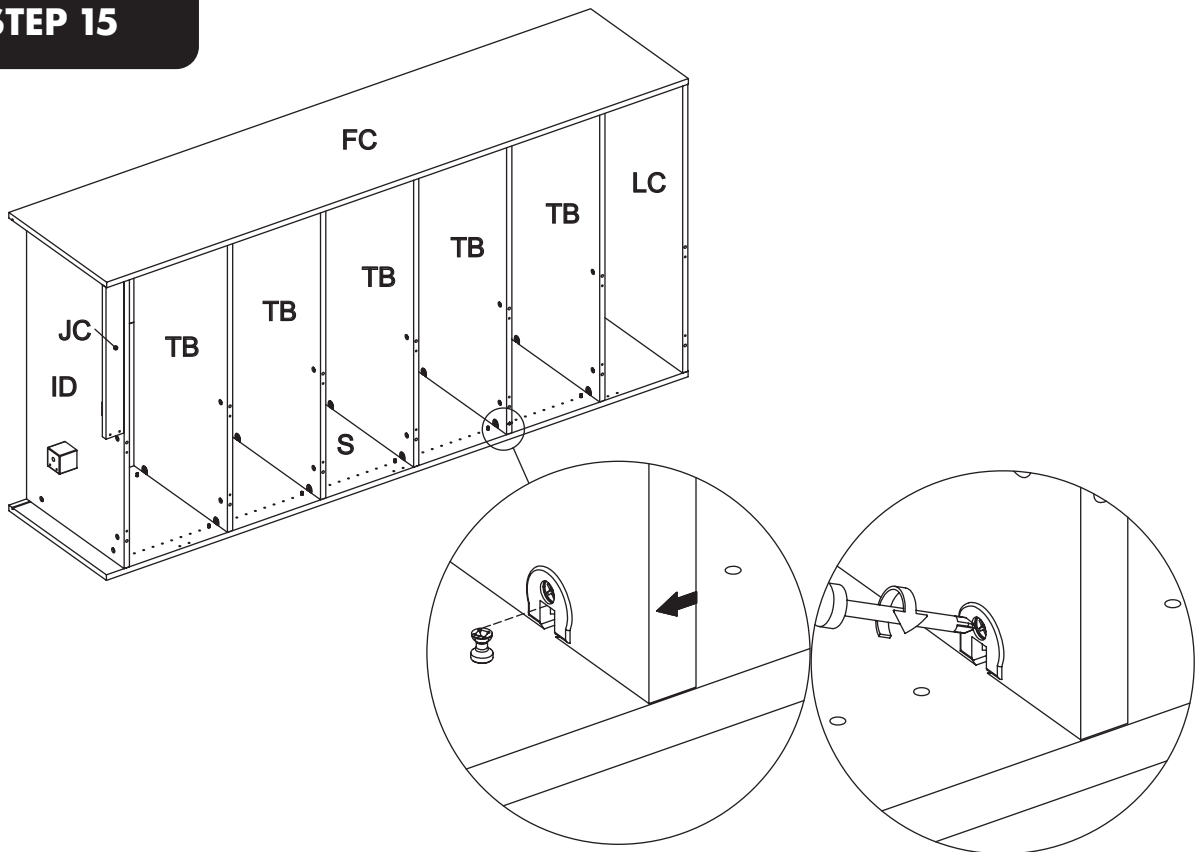
STEP 13



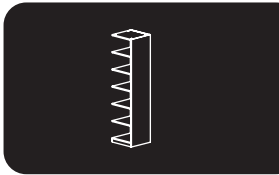
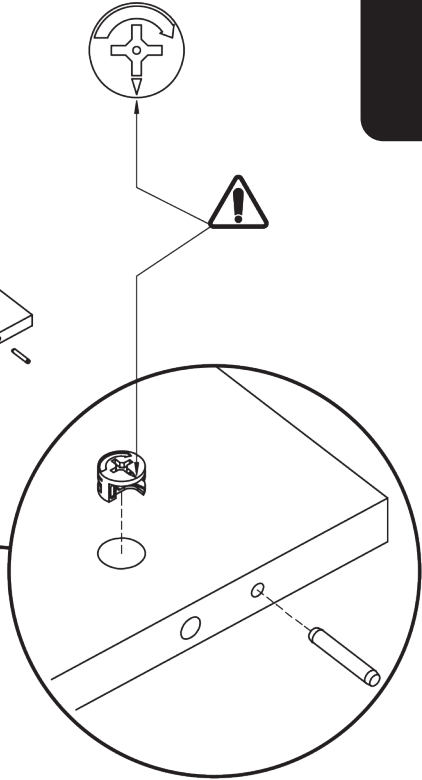
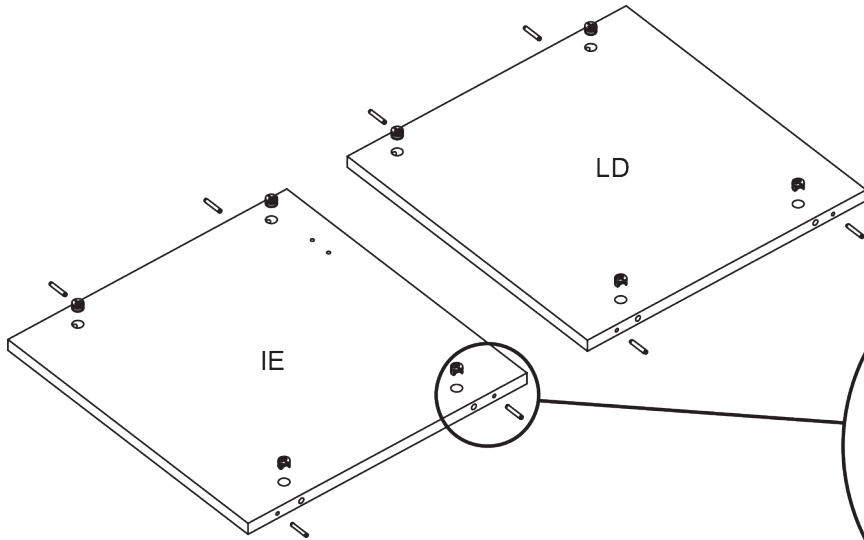
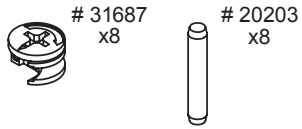
STEP 14



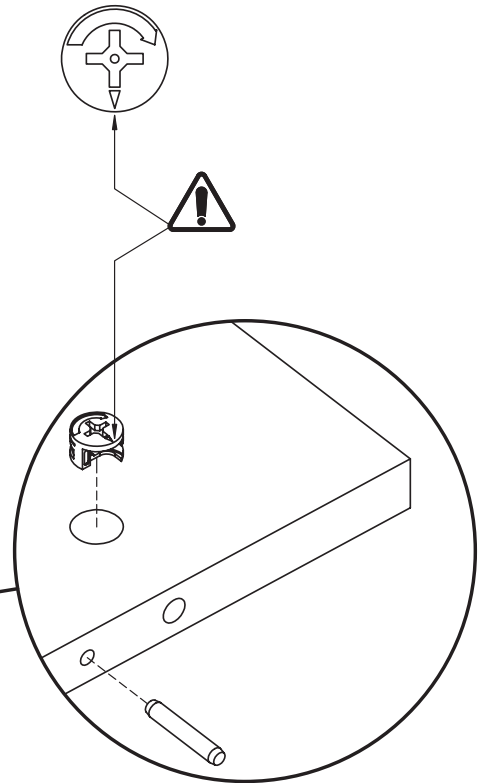
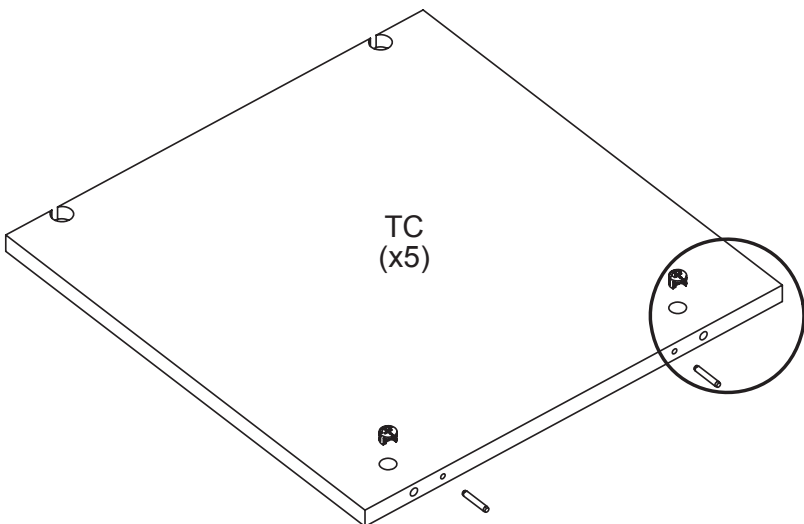
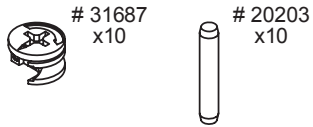
STEP 15



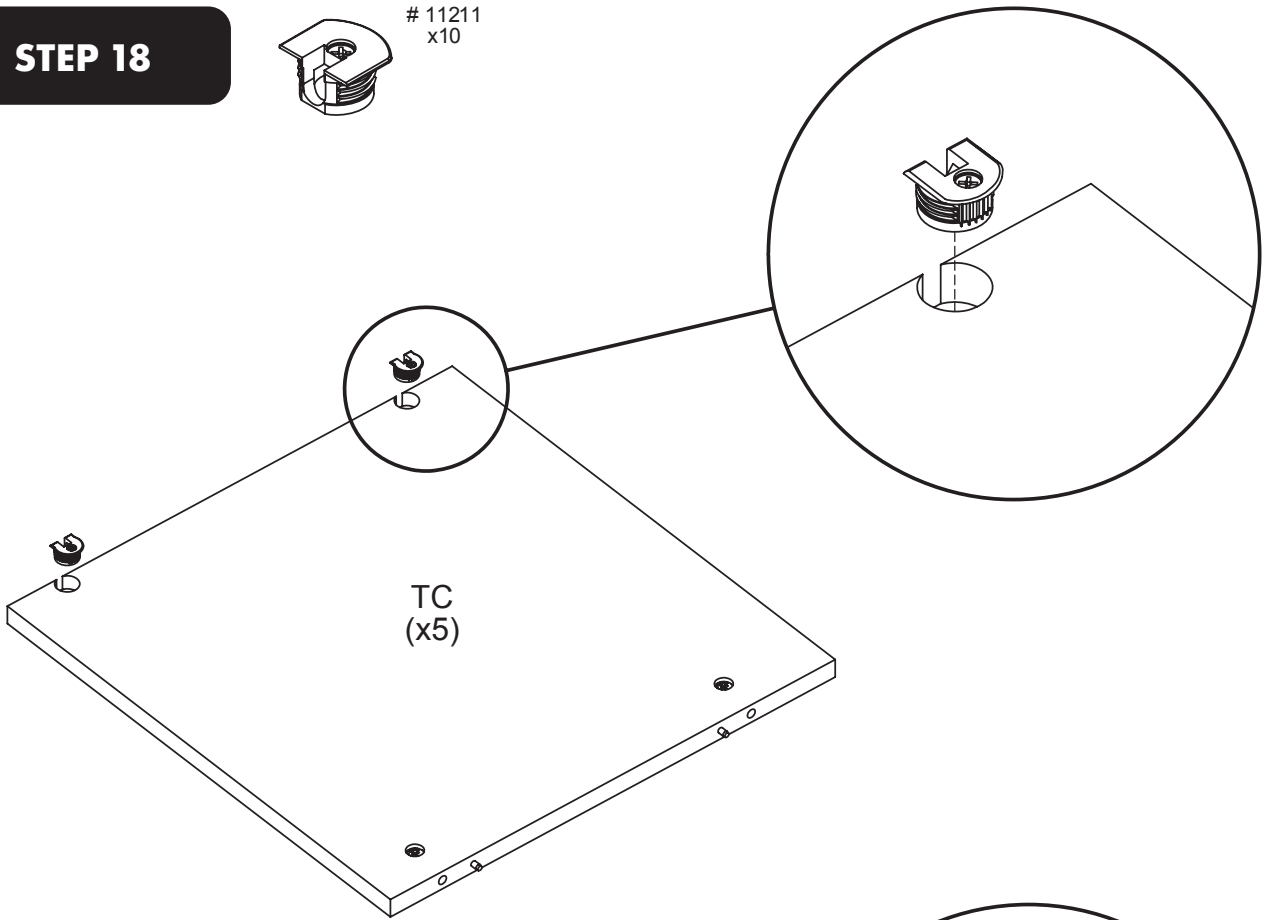
STEP 16



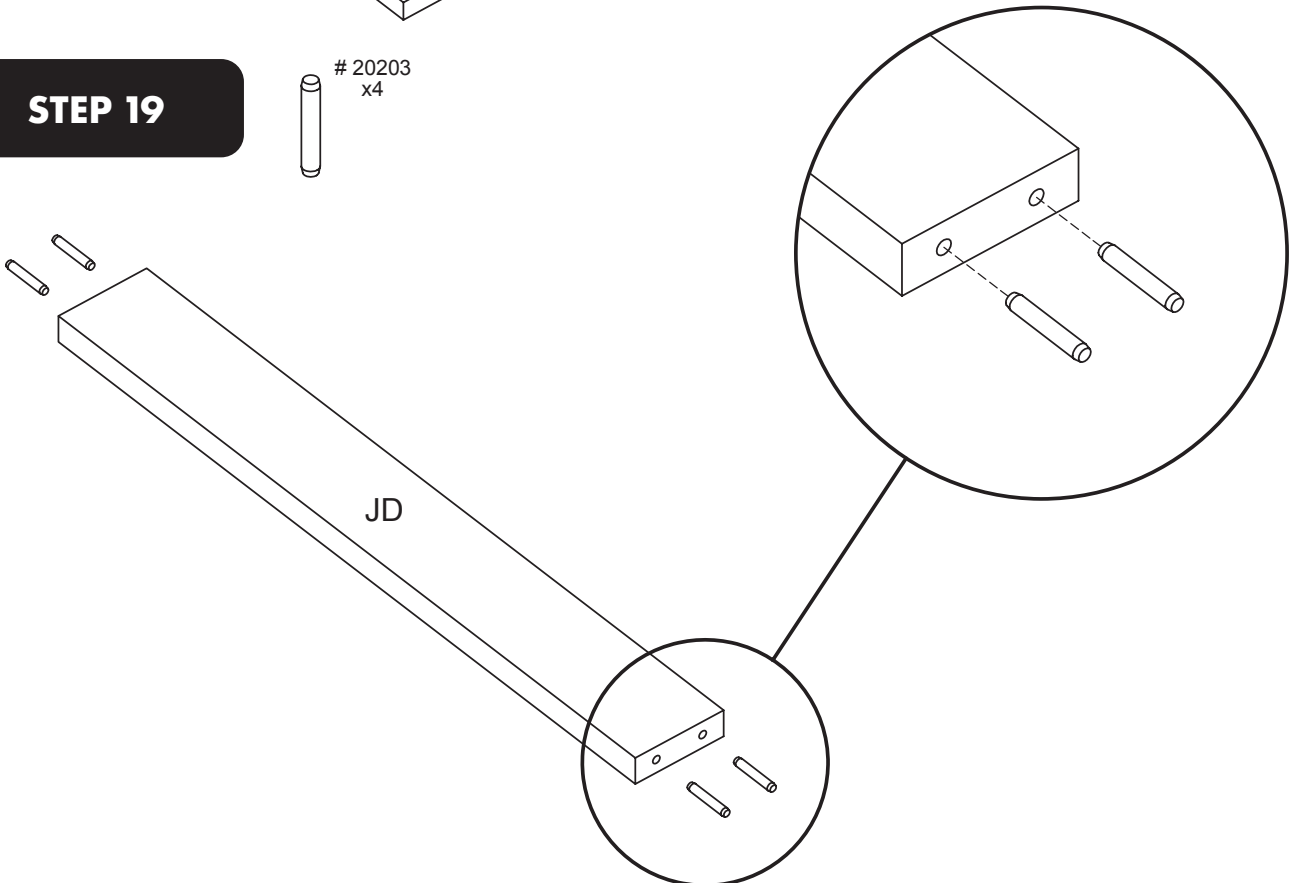
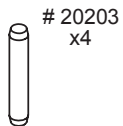
STEP 17



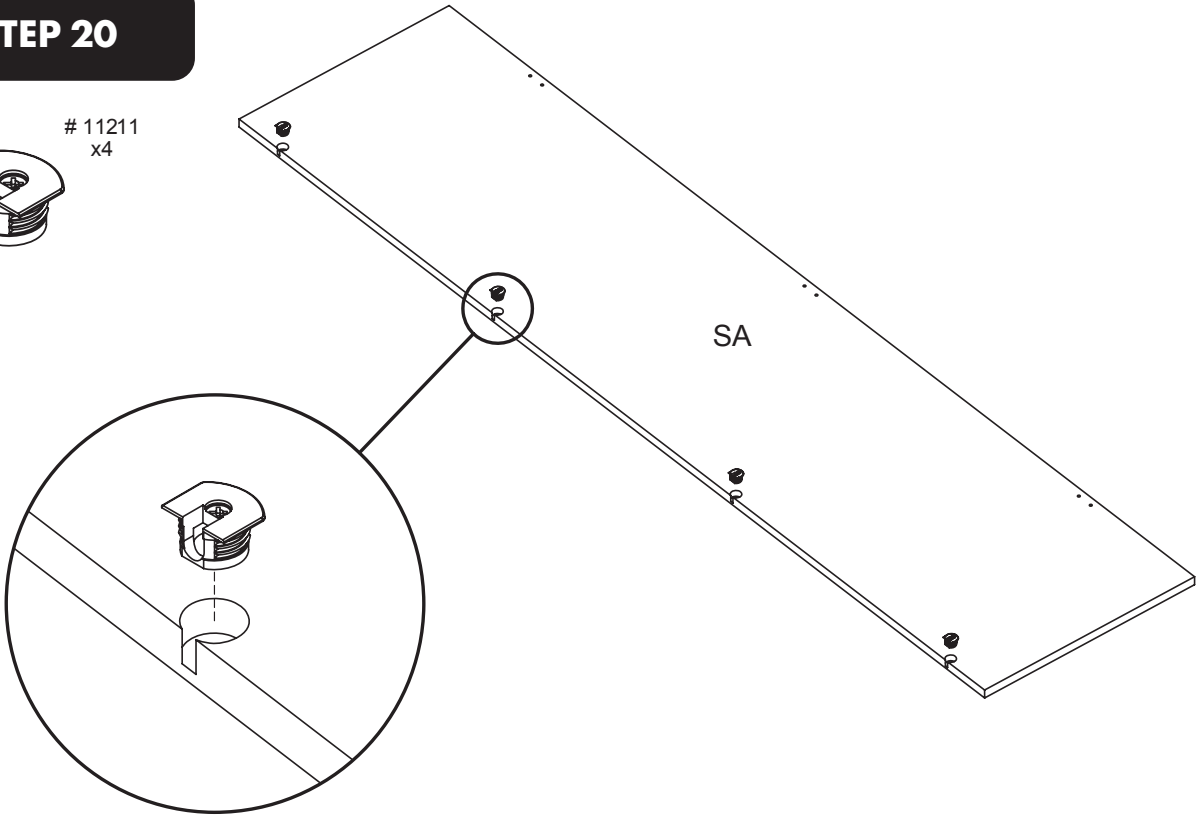
STEP 18



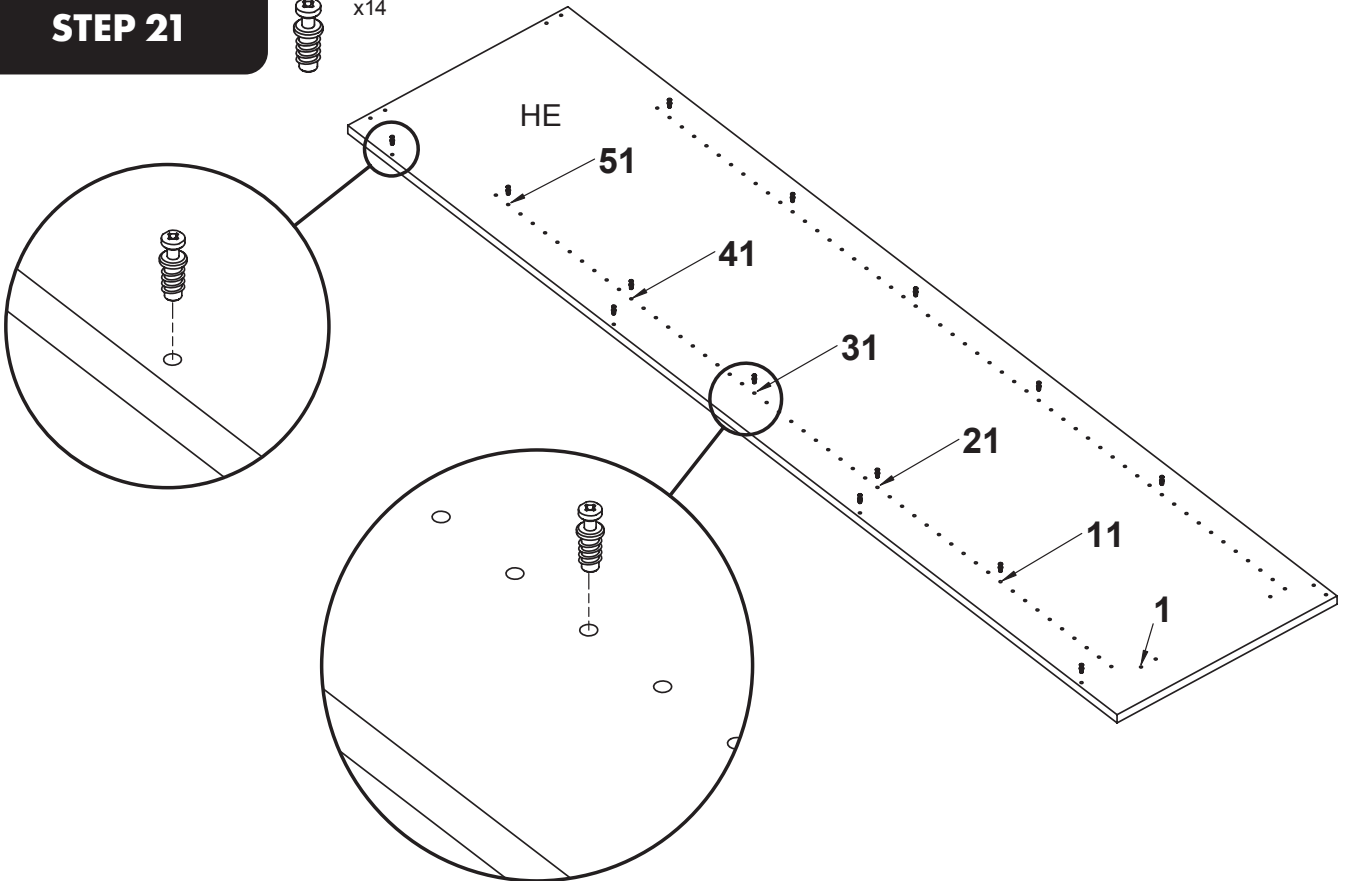
STEP 19



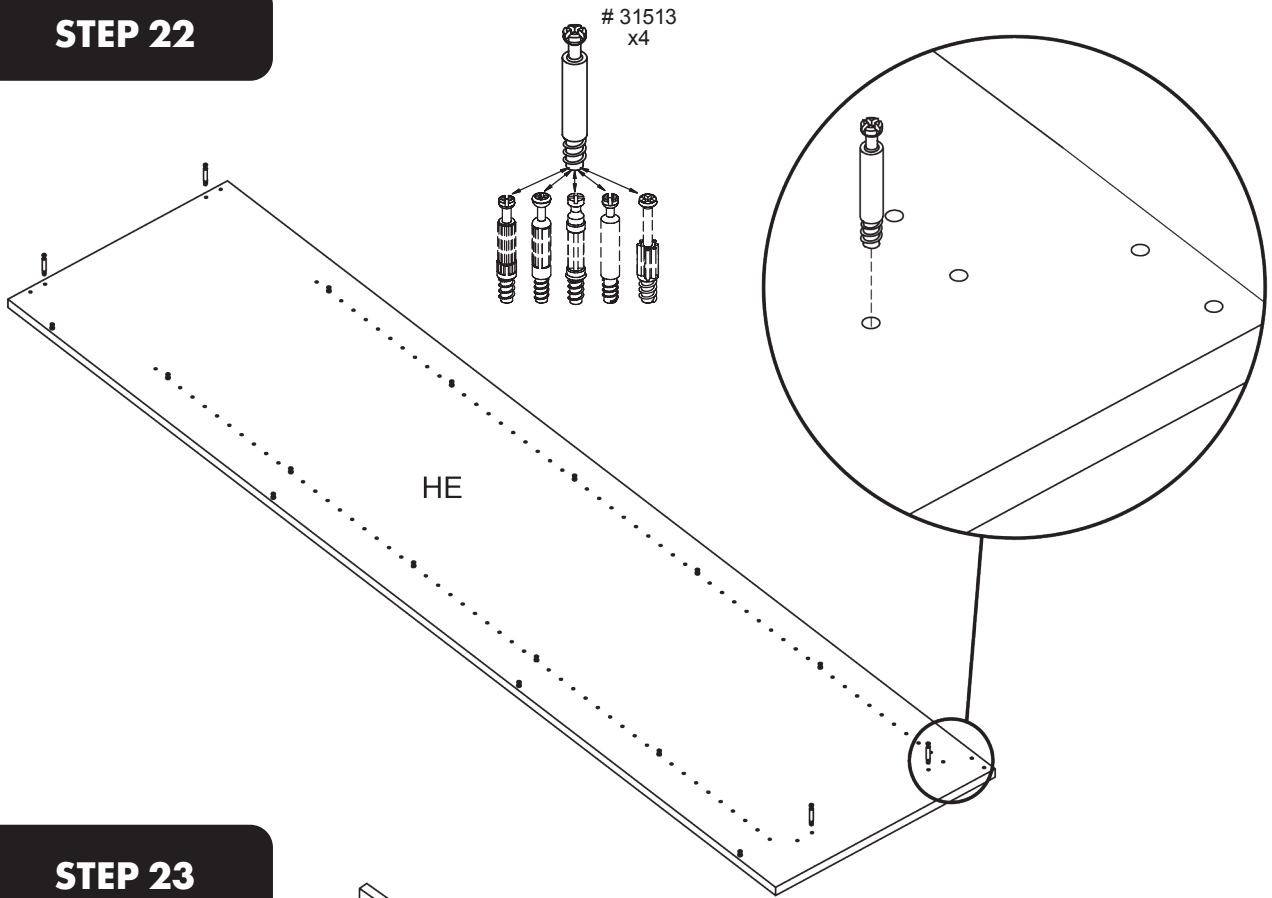
STEP 20



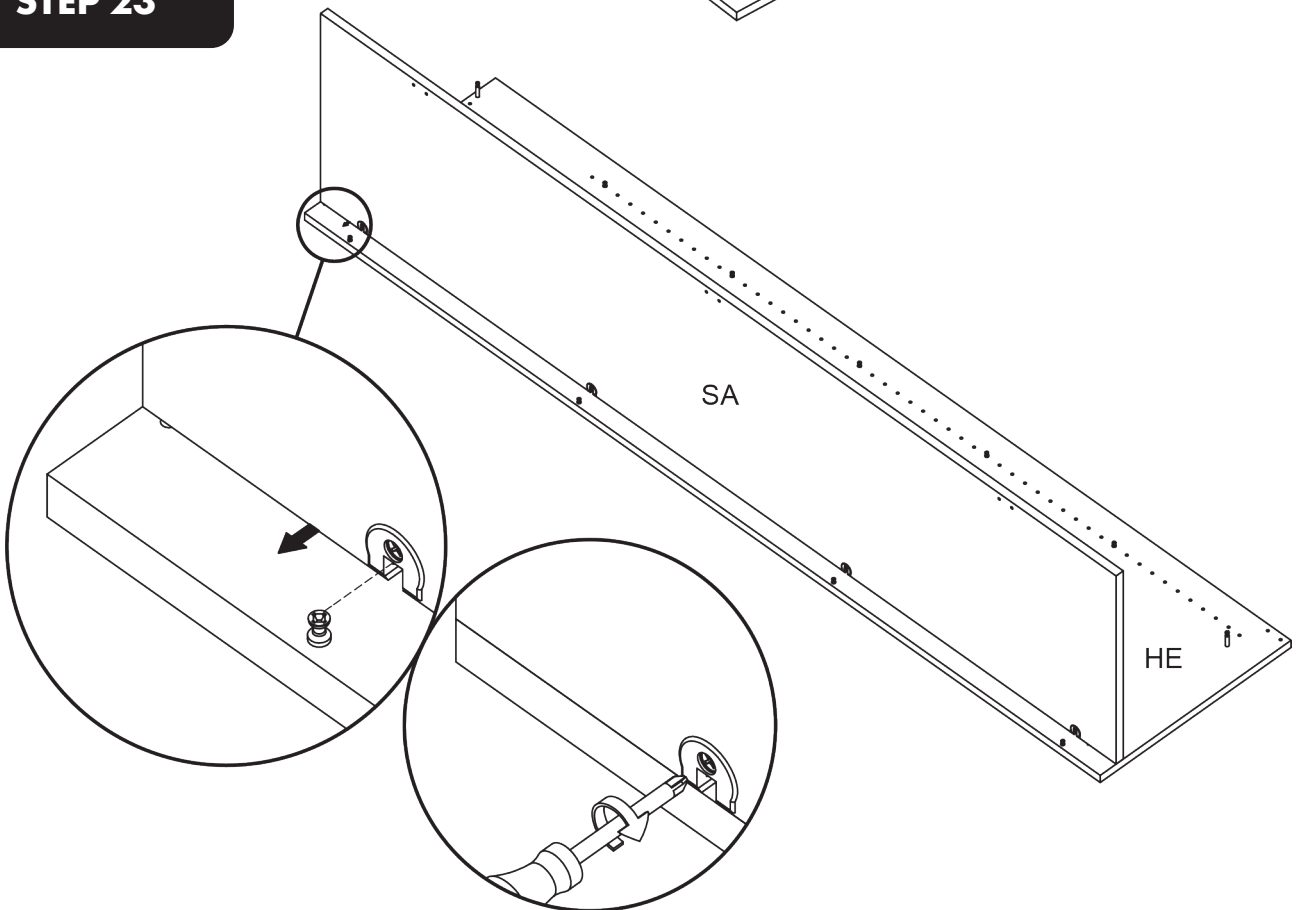
STEP 21



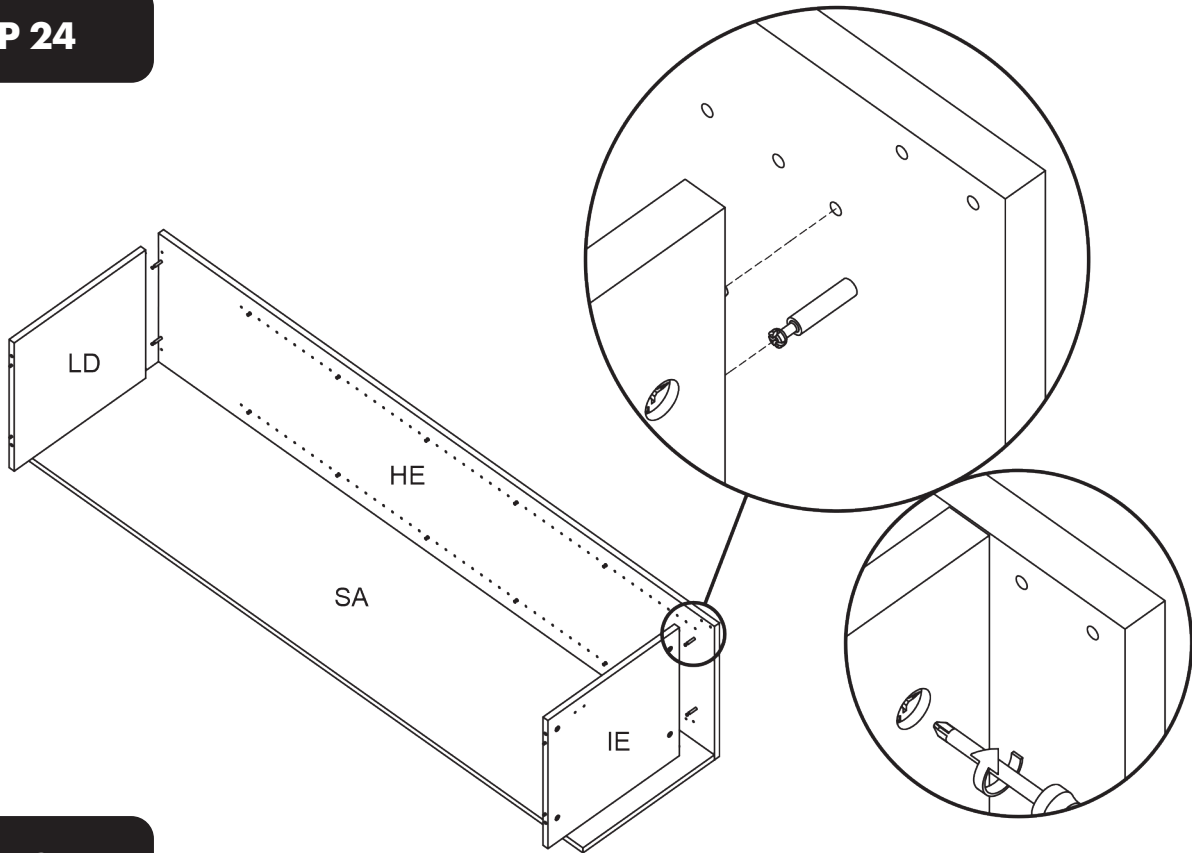
STEP 22



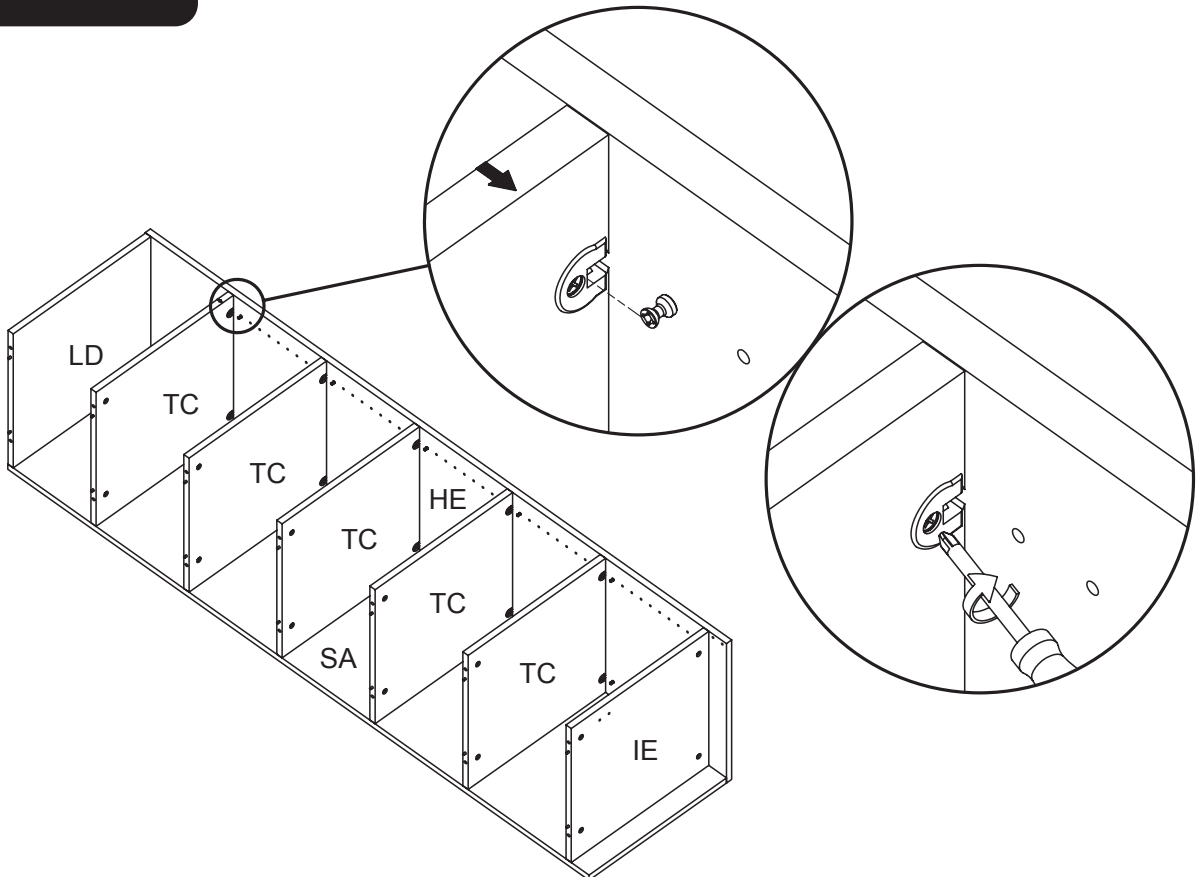
STEP 23



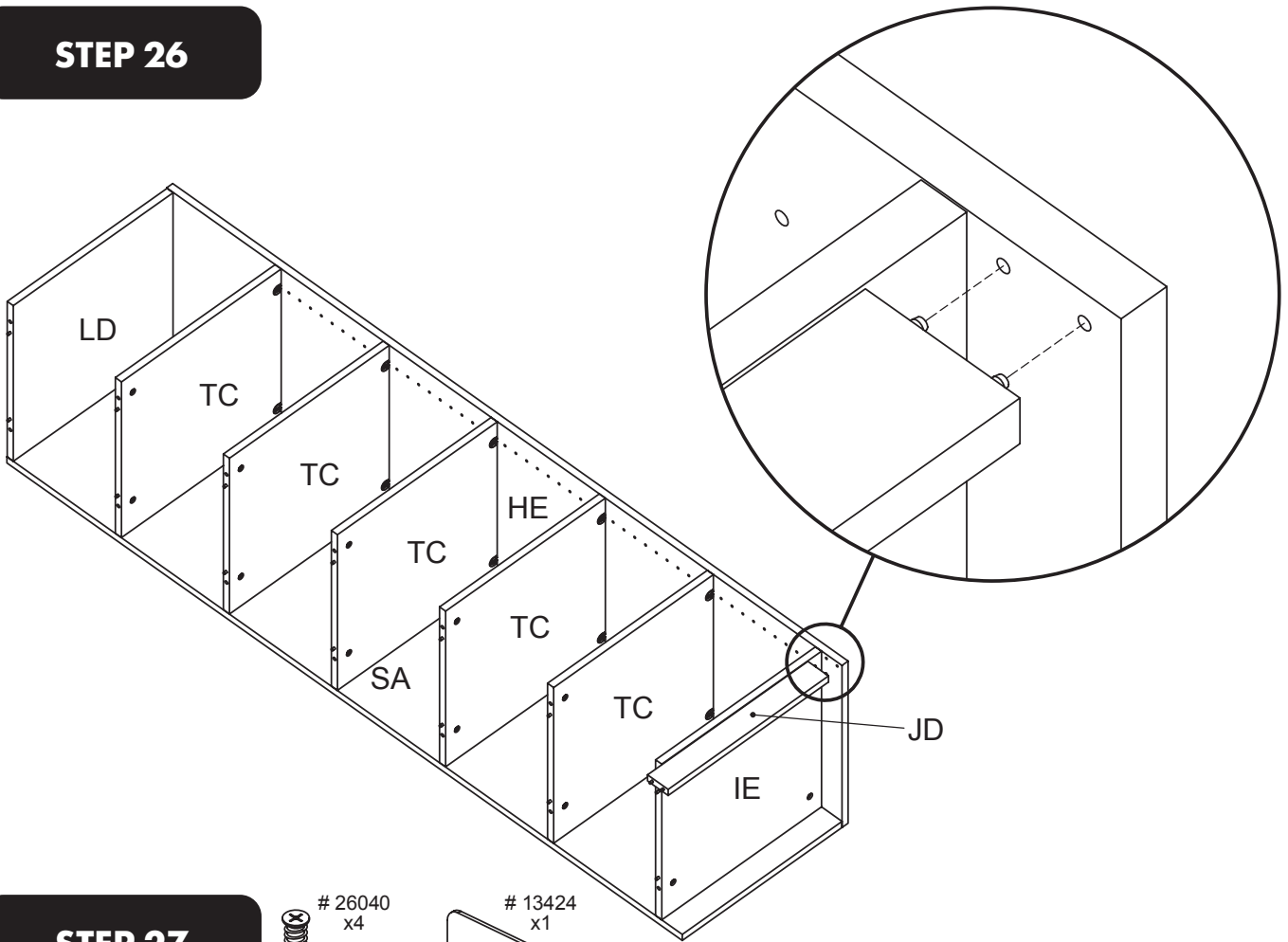
STEP 24



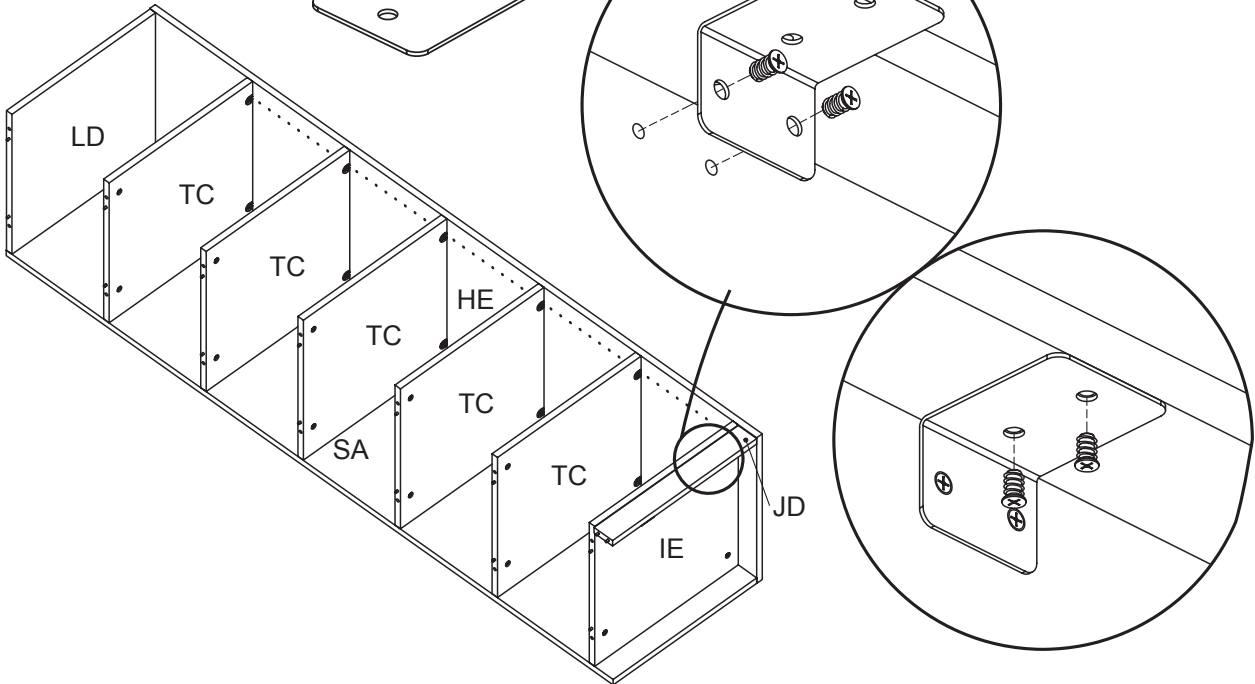
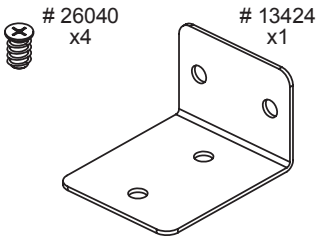
STEP 25



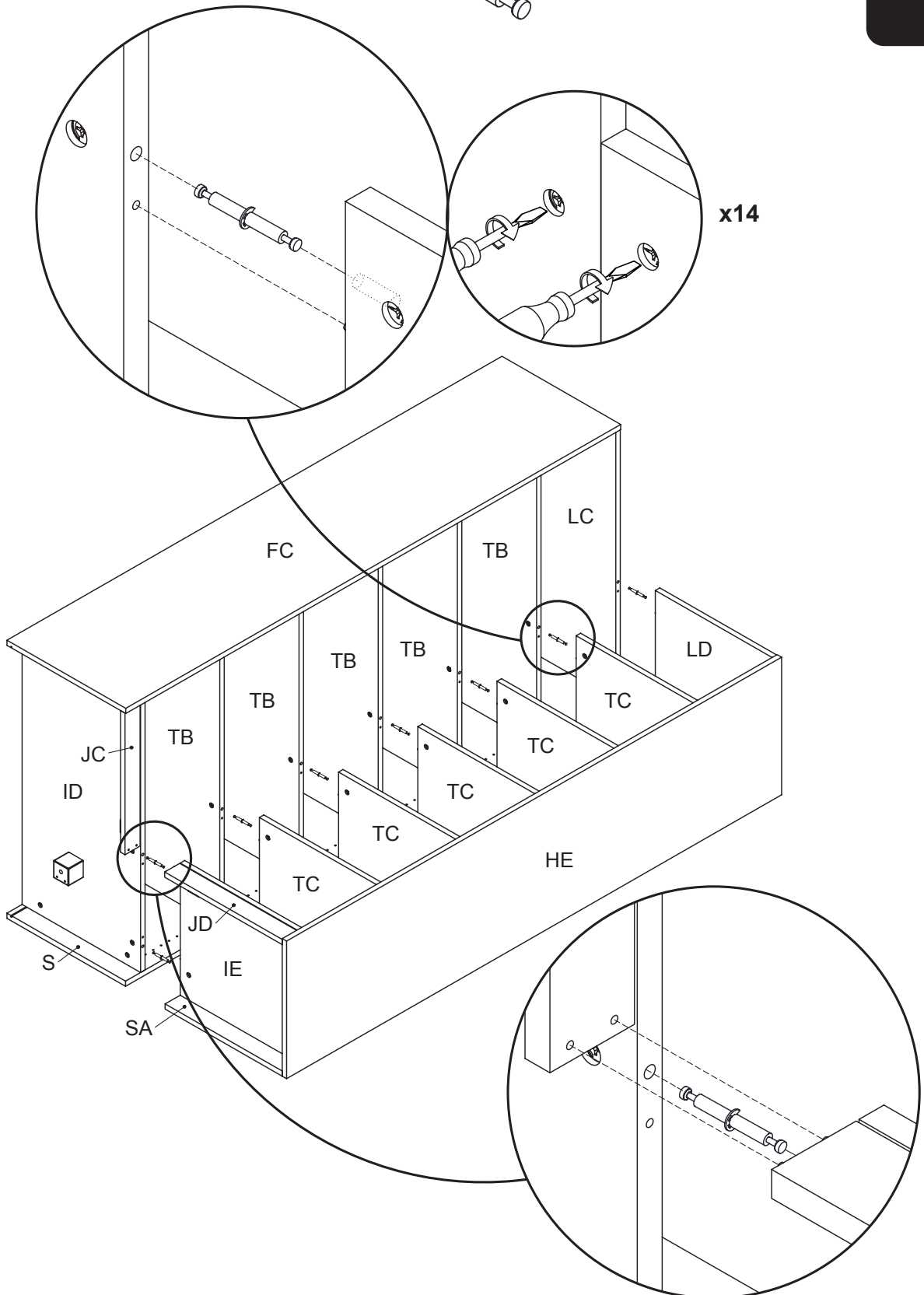
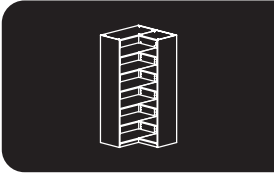
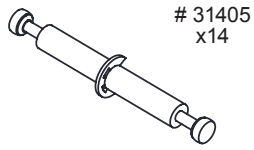
STEP 26



STEP 27

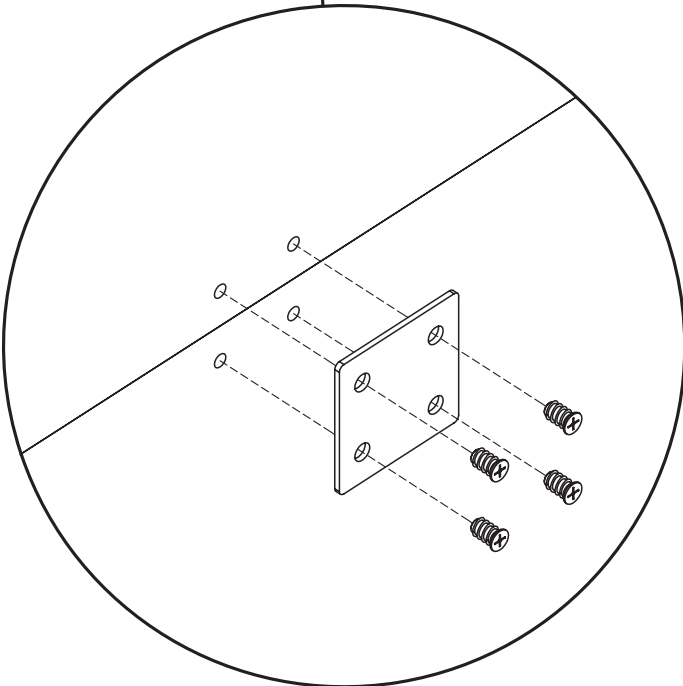
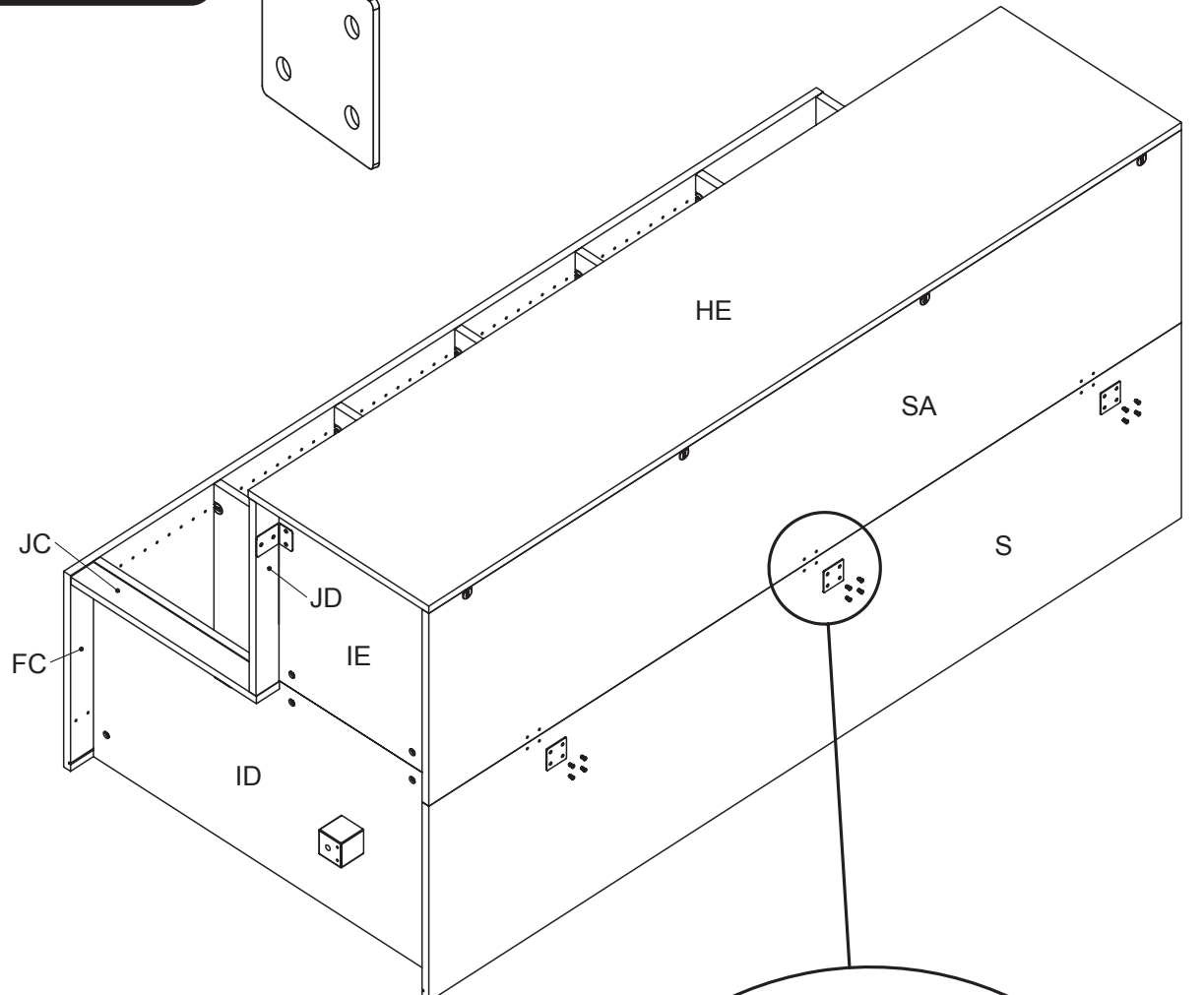


STEP 28



STEP 29

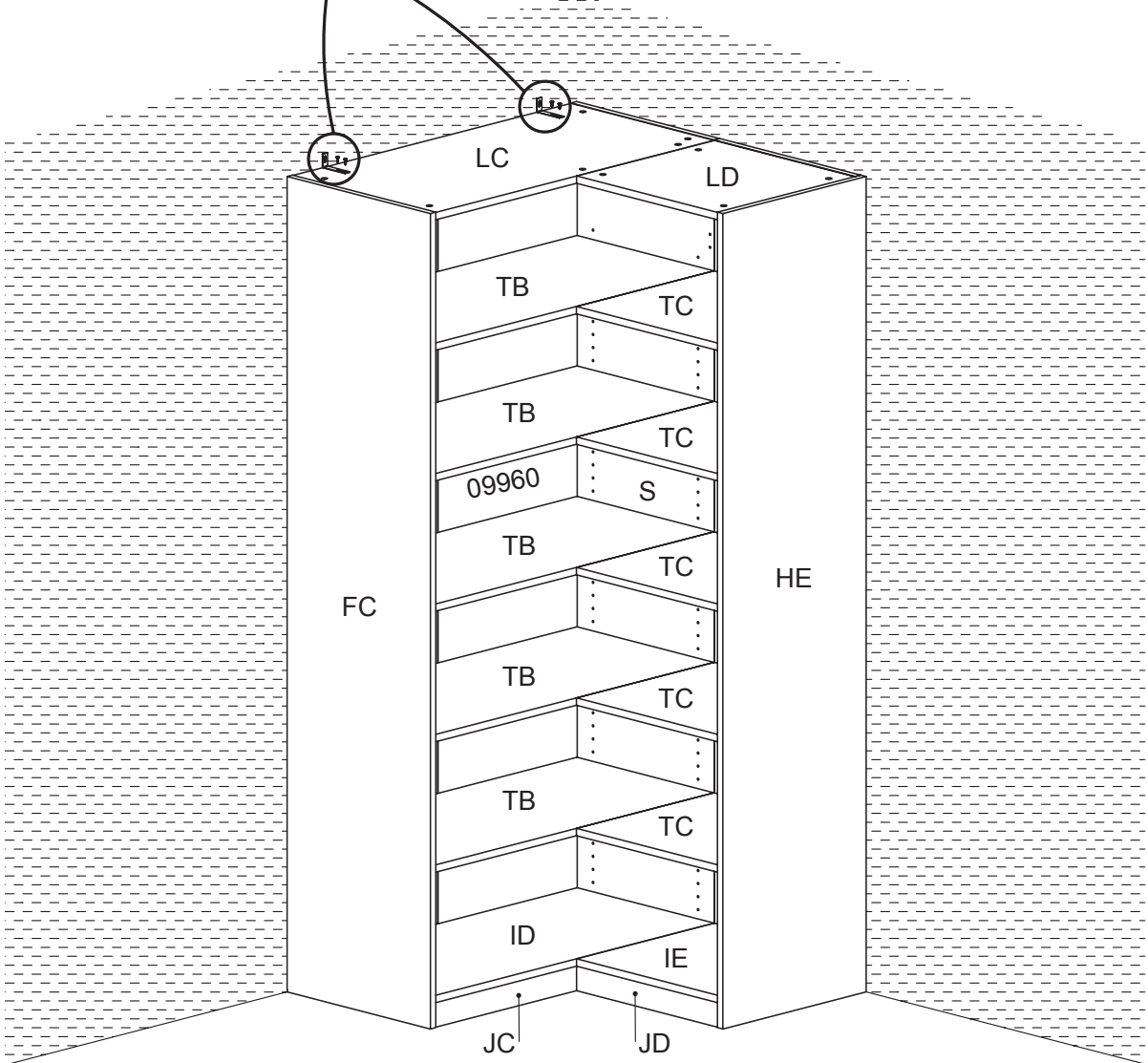
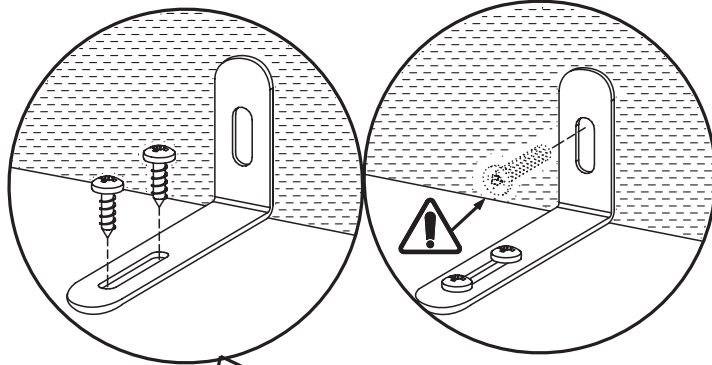
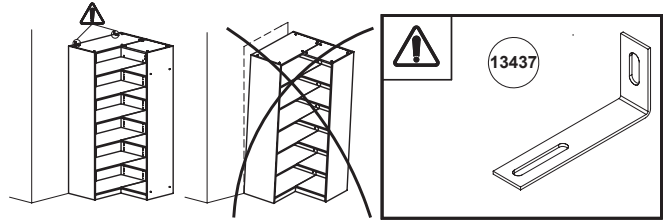
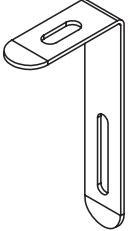
- # 15206 x3
- # 26040 x12



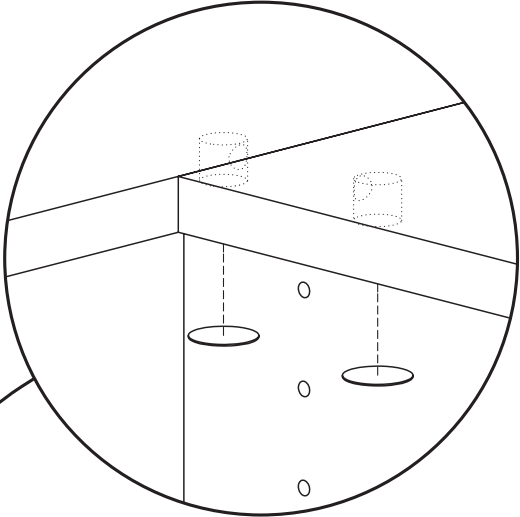
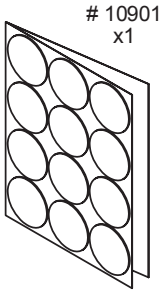
STEP 30

13437
 x2

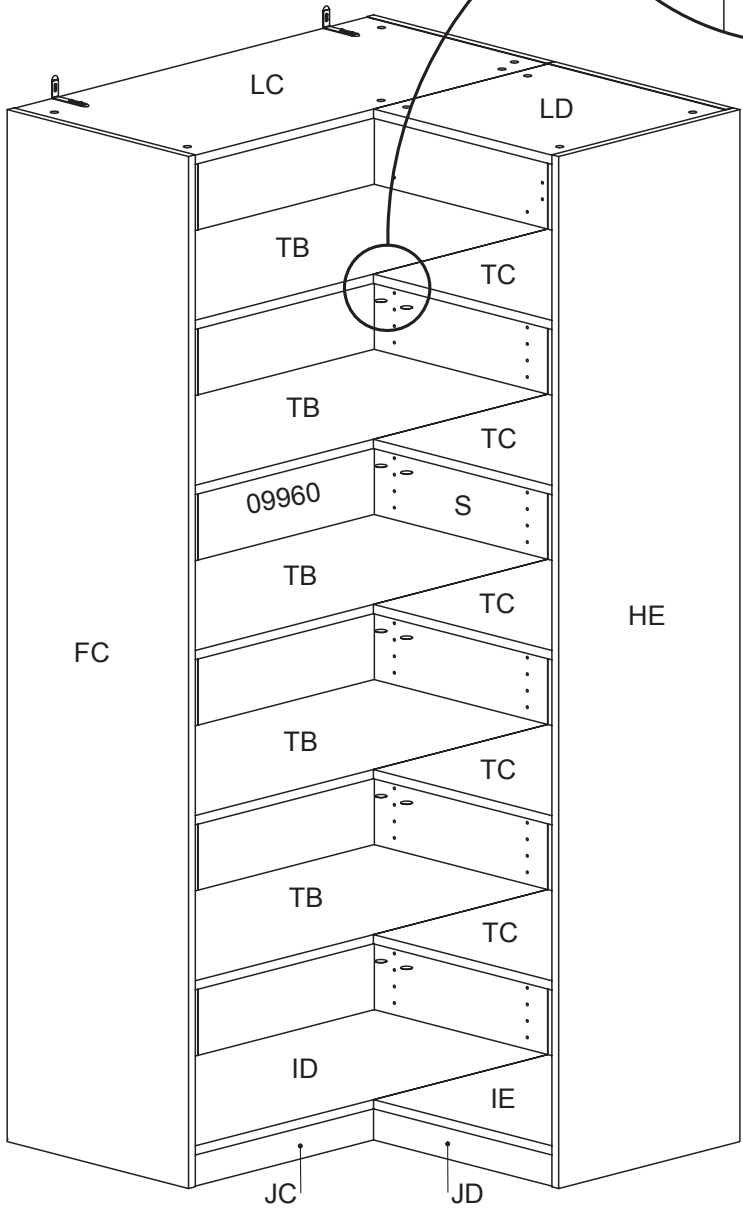
25440
 x4



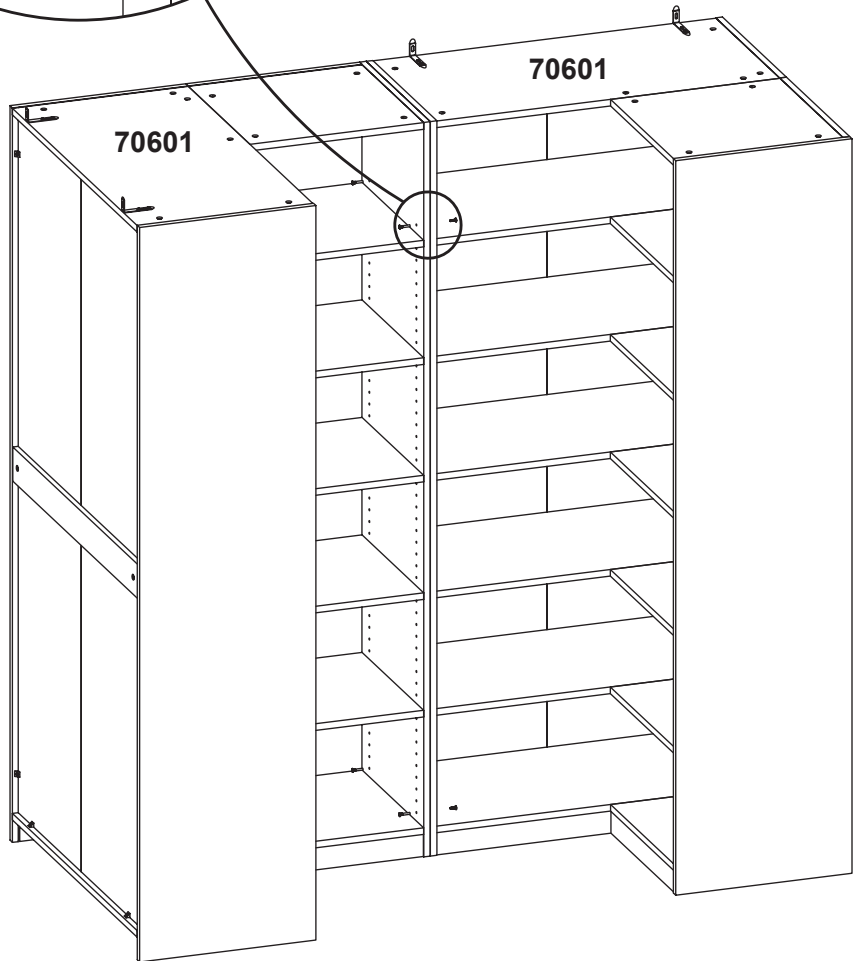
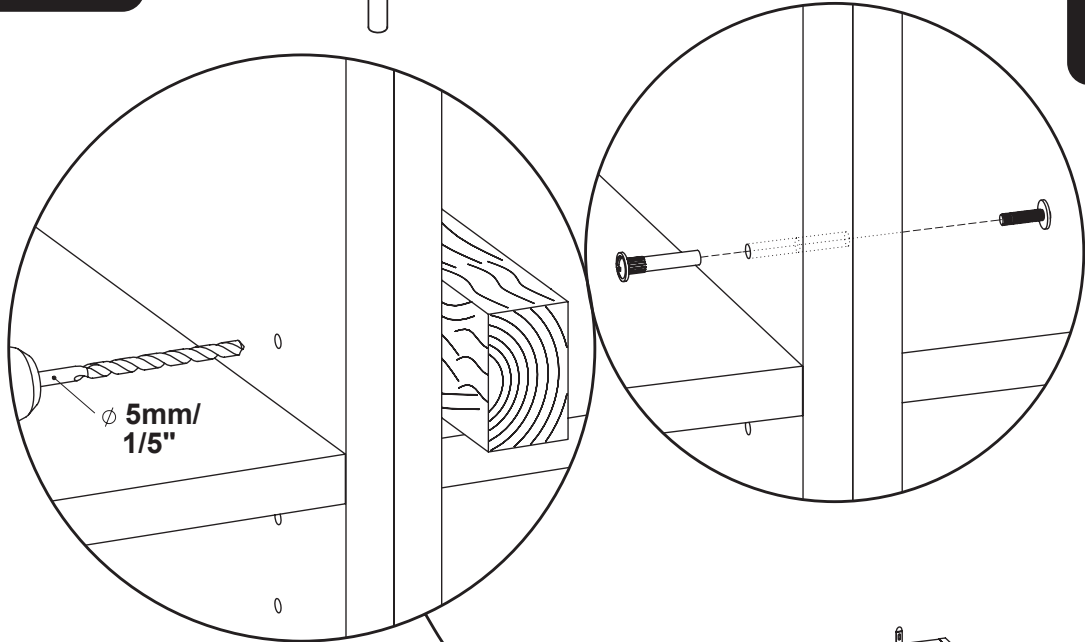
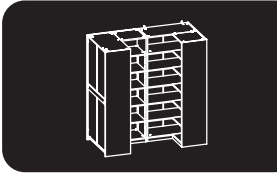
STEP 31



x20



STEP 32



MADE IN CHINA

Distributed by:
 Visy Retail Services Pty Ltd (AU): 1300 734 714
 Visy Board Limited (NZ): 0800 443 058

flexistorage.com.au
flexistorage.co.nz