

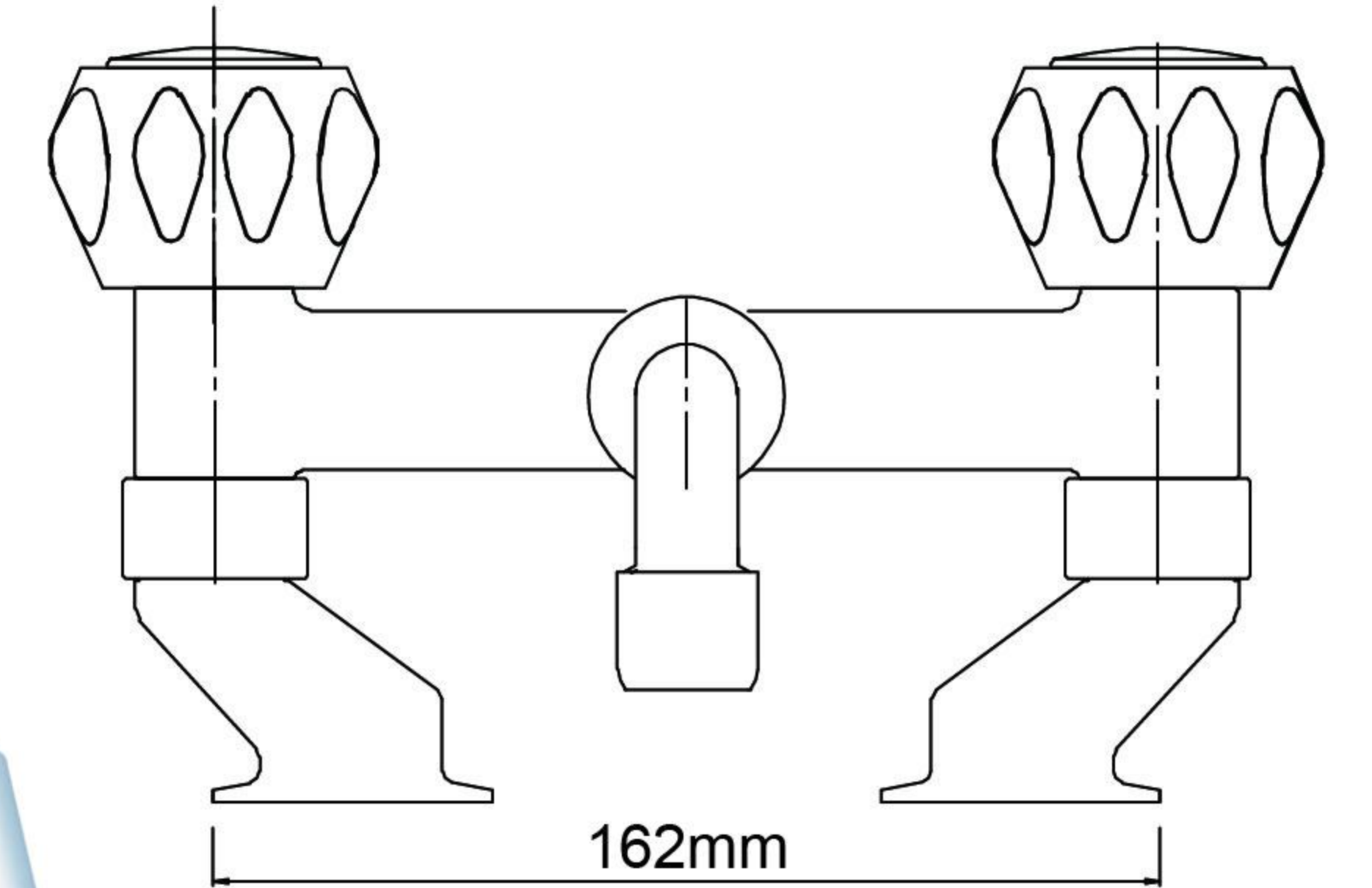
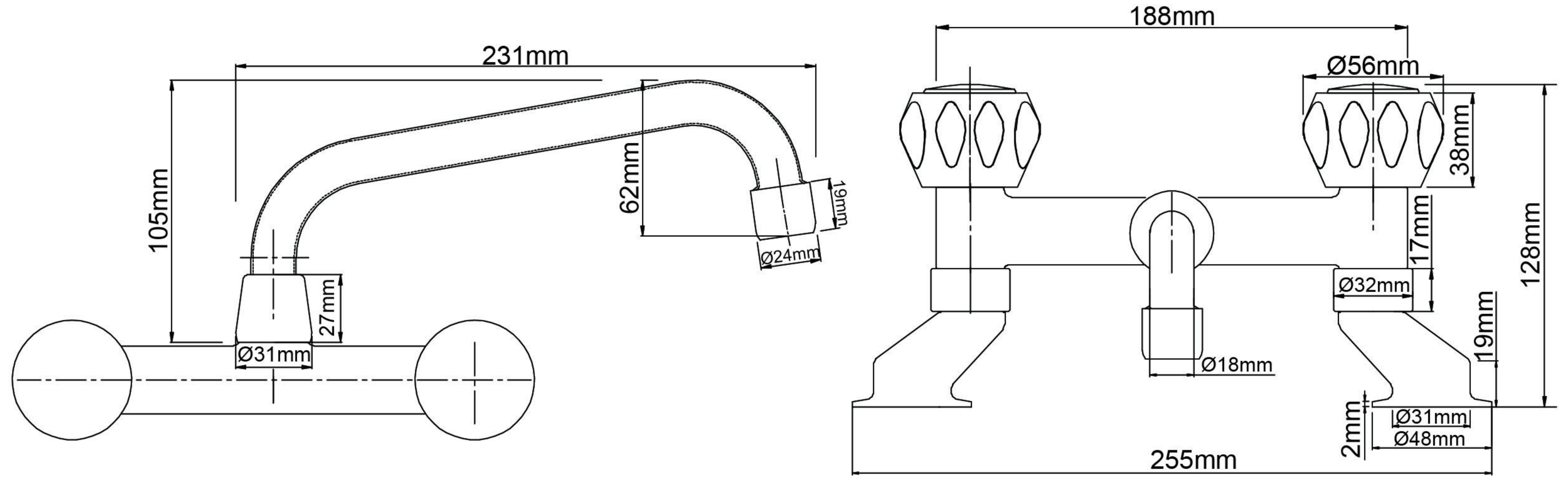
Mondella

CADENZA
CURVY CHIC

Cadenza SINK FAUCET

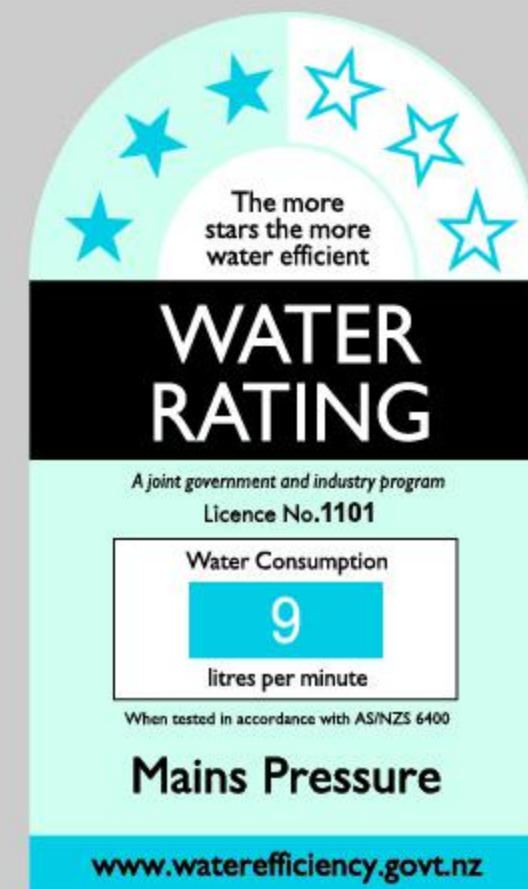
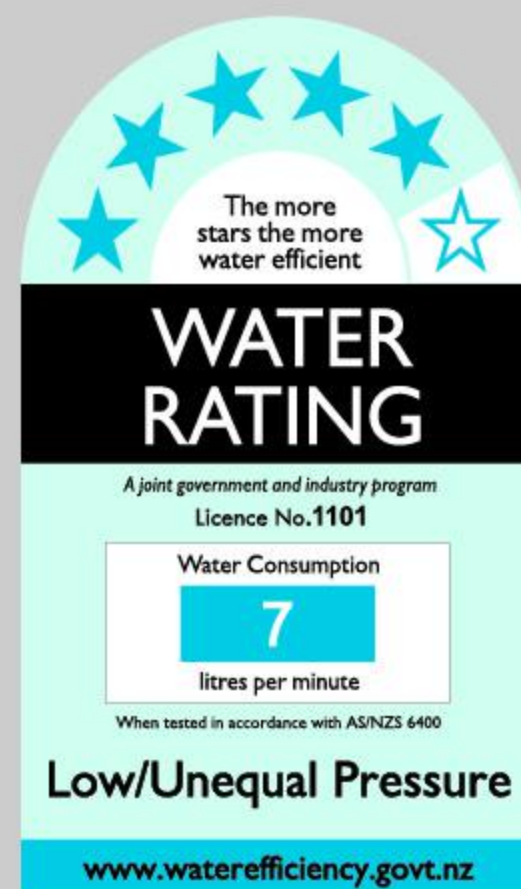
- Chrome Plated Finish.
- Jumper Valve Spindles.
- Functional Low Maintenance Tapware.
- Manufactured to New Zealand Standards AS/NZS3718, Watermark 70002 DR ApprovalMark.
- Fitted with Approved Water Saving Devices. WELS Lic no.1101.
- Suitable for Unequal/Mains Pressure (Minimum 35KPA).

Item Number
8900945



AS/NZS3718
WM70002
ApprovalMark

10
YEAR
WARRANTY



*refer to www.mondella.com.au for full warranty details