



PIT BOSS[®] NAVIGATOR[™]

ITEM: 172778
MODEL: PB850G
PART: 10710

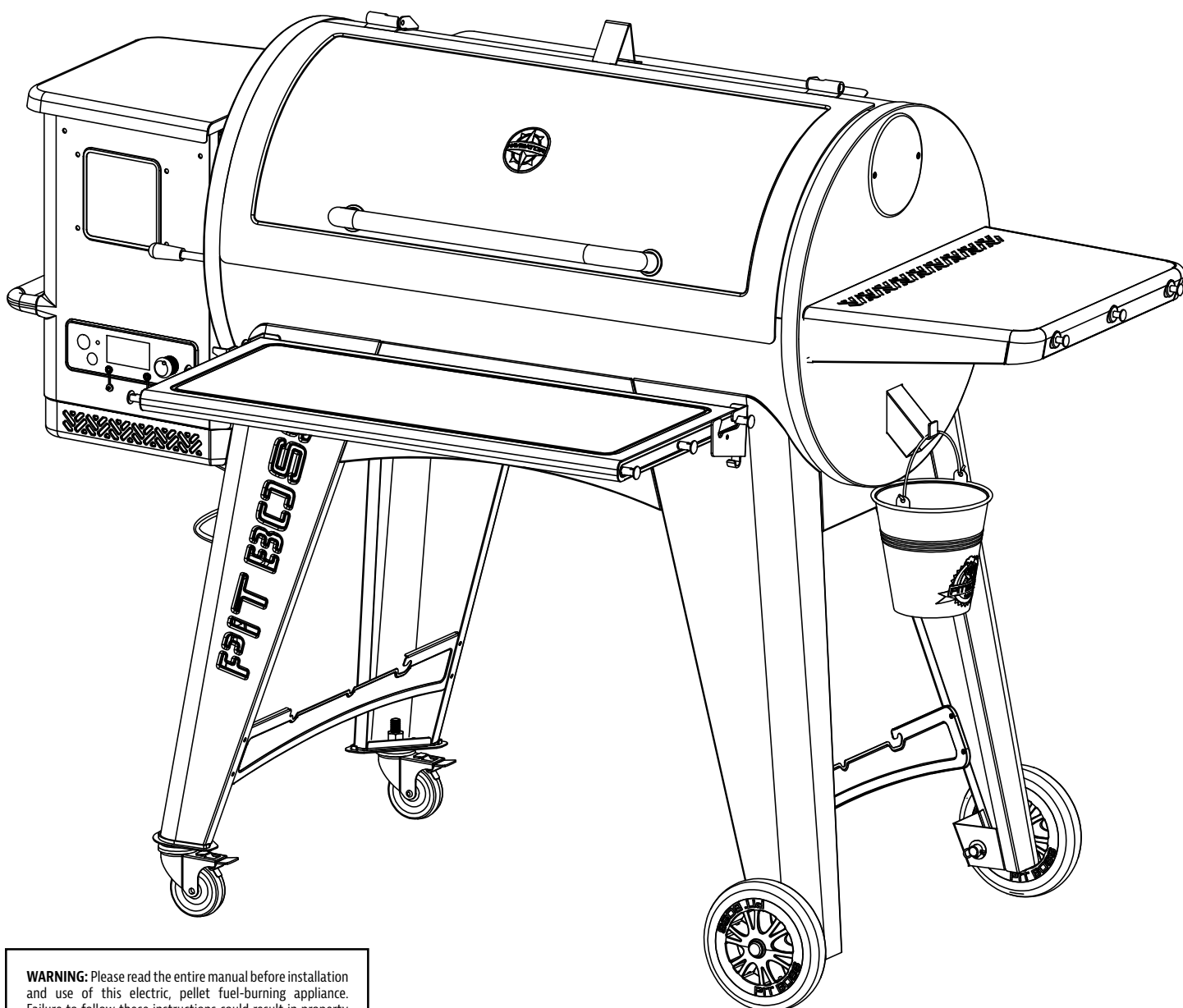


WOOD PELLET GRILL & SMOKER

IMPORTANT, READ CAREFULLY, RETAIN FOR FUTURE REFERENCE. MANUAL MUST BE READ BEFORE OPERATING!

For outdoor and household use only. Not for commercial use.

**ASSEMBLY
GUIDE**



WARNING: Please read the entire manual before installation and use of this electric, pellet fuel-burning appliance. Failure to follow these instructions could result in property damage, bodily injury or even death. Contact local building or fire officials about restrictions and installation inspection requirements in your area.

TABLE OF CONTENTS

Parts & Specs.....	3
Assembly Preparation.....	5
Assembly Instructions	
Securing Feet To Support Legs.....	5
Securing Support Plates and Caster Wheels.....	5
Securing Support Plates and Wheels.....	6
Securing Support Plate To Support Legs For Wheels.....	6
Securing Support Plate To Support Legs For Casters.....	6
Mounting Main Barrel To The Cart.....	7
Securing Support Plates To The Grill.....	7
Installing The Lid Stopper.....	7
Installing The Lid Handle.....	7
Installing The Flame Broiler Components.....	8
Installing Flame Broiler Adjusting Bar.....	8
Installing The Side Shelf.....	8
Securing The Front Shelf Brackets.....	9
Installing The Front Shelf.....	9
Installing The Grill Cooking Components.....	9
Installing Grease Bucket.....	10
Connecting To A Power Source.....	10



COPYRIGHT NOTICE

Copyright 2020. All right reserved. No part of this manual may be copied, transmitted, transcribed, stored in a retrieval system, in any form or by any means without expressed written permission of,

Dansons

3411 North 5th Avenue, Suite 500, Phoenix, AZ, USA 85013
www.pitboss-grills.com

Customer Service in Australia and New Zealand:

Genesis International Corporation Pty Ltd.

1/71 Truganina Road Malaga WA 6090
+61 8 9248 9822
service@genesiscorp.com.au

PARTS & SPECS

Part#	Description
1	Lid Stopper (x1)
2	Lid Handle (x1)
3	Lid Handle Bezel (x2)
4	Main Barrel/Hopper Assembly (x1)
5	Flame Broiler Adjusting Bar (x1)
6	Flame Broiler Adjusting Bar Handle (x1)
7	Flame Broiler Slider (x1)
8	Flame Broiler Main Plate (x1)
9	Left Front Leg (x1)
10	Left Back Leg (x1)
11	Right Front Leg (x1)
12	Right Back Leg (x1)
13	Left Front Leg Trim Piece (x1)
14	Left Back Leg Trim Piece (x1)
15	Swivel Caster with Brake (x2)
16	Wheel (x2)
17	Right Bottom Support Plate (x1)
18	Left Bottom Support Plate (x1)
19	Short Support Plate (x2)
20	Front Long Support Plate (x1)
21	Back Long Support Plate (x1)
22	Front Shelf (x1)
23	Front Shelf Bracket Right (x1)
24	Front Shelf Bracket Left (x1)
25	Grease Bucket (x1)
26	Right Side Table (x1)
27	Cooking Grid A (x1)
28	Cooking Grid B (x2)
29	Warming Rack (x1)
30	Meat Probe (x1)
31	Cable Clips (x1)
32	Power Cable (x1)

Part#	Description
A	Screw (x18)
B	Washer (x18)
C	Locking Washer (x18)
D	Screw (x30)
E	Screw (x4)
F	Wheel Axle Pin (x2)
G	Wheel Cotter Pin (x2)
H	Wheel Washer (x2)

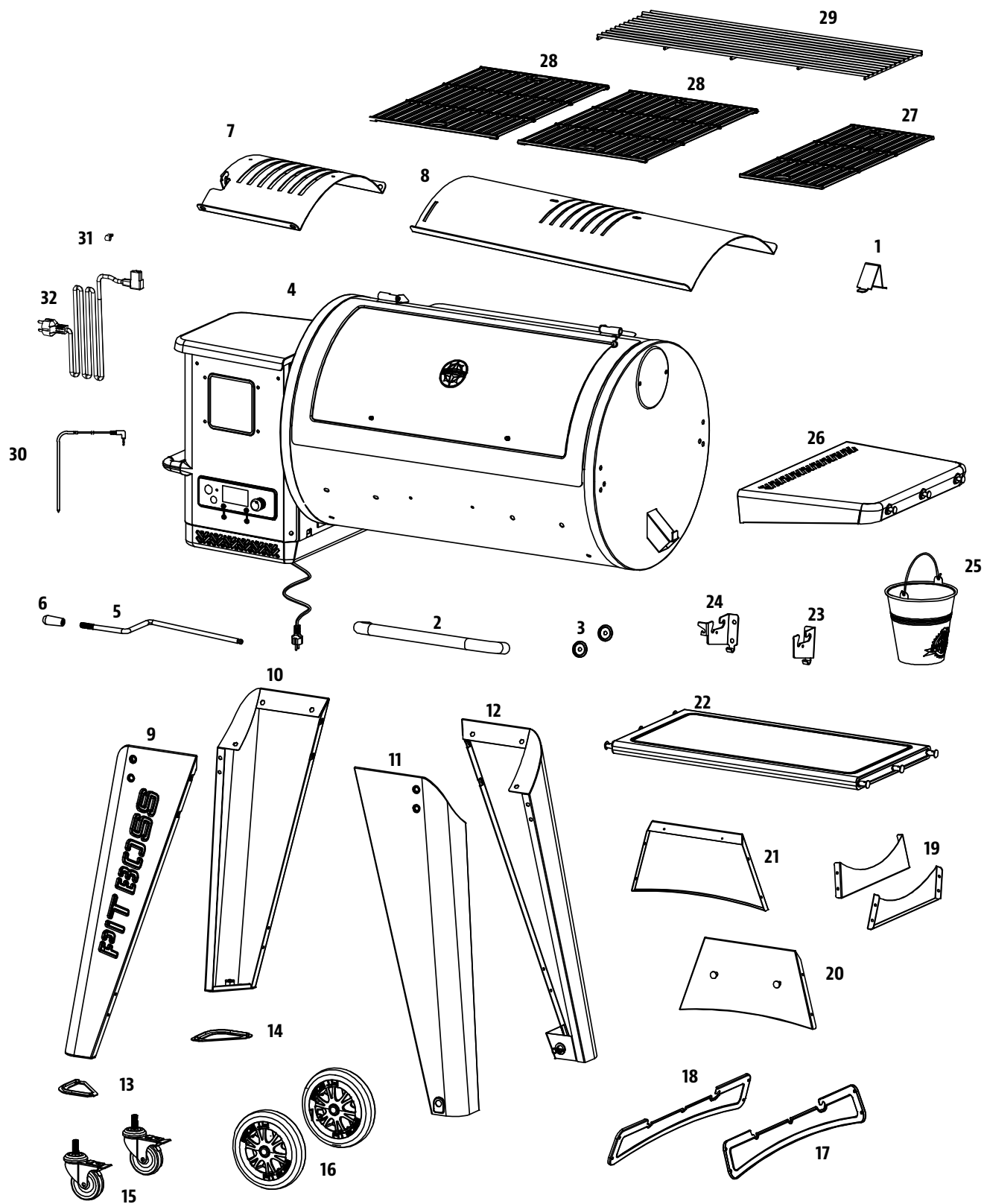
NOTE: Due to ongoing product development, parts are subject to change without notice. Contact Customer Service if parts are missing when assembling the unit.

PB – ELECTRIC REQUIREMENTS
220-240V, 50HZ, 250W, 3-PRONG GROUNDED PLUG

Diagram Illustration on next page.

MODEL	UNIT ASSEMBLED (WxHxD)	UNIT WEIGHT	COOKING AREA	TEMP. RANGE	DIGITAL FEATURES
PB PB850G	1,472mm x 1,195mm x 940mm / 57.9" x 47" x 37"	74.5 kg / 164.24 lb	Main - 3,825.8 cm ² / 593 sq. in. Upper Rack - 1,845.2 cm ² / 286 sq. in. TOTAL - 5,671 cm² / 879 sq. in.	82-260°C / 180-500°F	Ten temperature presets, start-up and cool-down cycles, electric igniter

PARTS & SPECS



ASSEMBLY PREPARATION

Parts are located throughout the shipping carton, including underneath the grill. Inspect the grill, parts, and hardware blister pack after removing from the protective shipping carton. Discard all packaging materials from inside and outside of the grill before assembly, then review and inspect all parts by referencing the parts list. If any part is missing or damaged, do not attempt to assemble. Shipping damage is not covered under warranty. Contact Bunnings Australia or Genesis International Corporation Pty Ltd. for Customer Service.

service@genesiscorp.com.au | +61 8 9248 9822

IMPORTANT: To ease installation and avoid injury, use two people when assembling this appliance.

Tools required for assembly: screwdriver and level. *Tools not included.*



ASSEMBLY INSTRUCTIONS

IMPORTANT: It is advised to read each step entirely before starting assembly on instructions. Do not tighten screws completely until all screws for that step have been installed. Hardware combination involving a locking washer and washer should be installed with the locking washer closest to the head of the screw.

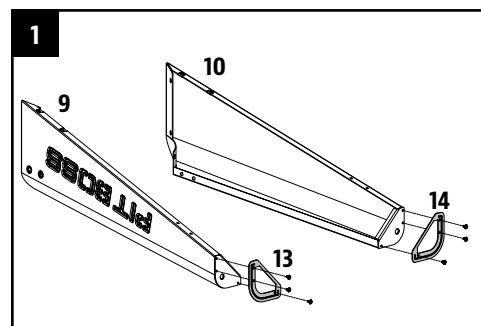
1. SECURING FEET TO SUPPORT LEGS

Parts Required:

- 1 x Left Front Leg (#9)
- 1 x Left Back Leg (#10)
- 1 x Left Front Leg Trim Piece (#13)
- 1 x Left Back Leg Trim Piece (#14)
- 6 x Screw (#D)

Installation:

- Use three screws to attach the Left Front Leg Trim Piece to the Left Front Leg for locking caster wheel. Continue to install the Left Back Leg for locking caster wheel and Left Back Leg Trim Piece.



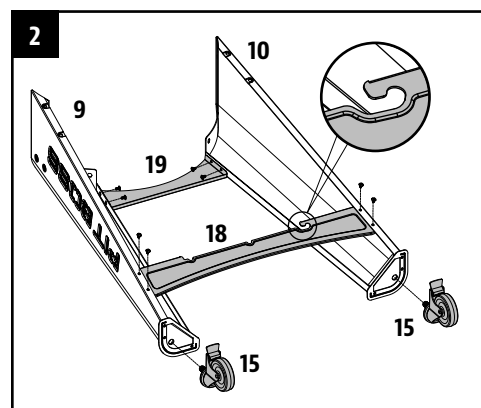
2. SECURING SUPPORT PLATES AND CASTER WHEELS

Parts Required:

- 1 x Left Front Leg (#9)
- 1 x Left Back Leg (#10)
- 1 x Left Bottom Support Plate (#18)
- 1 x Short Support Plate (#19)
- 2 x Swivel Caster with Brake (#15)
- 8 x Screw (#D)

Installation:

- Install one Short Support Plate to the side of the unit between of a Front and Back Support Legs using four screws. Repeat the same installation to mount the Bottom Support Plate to the same legs.
- Insert each Locking Caster Wheel into the Bottom of each Support Leg by hand-tightening into the hole. Ensure the Locking Caster Wheel is inserted completely by ensuring it cannot rotate any further.



NOTE: Make sure Bottom Support Plate is facing up with correct direction.

3. SECURING SUPPORT PLATES AND WHEELS

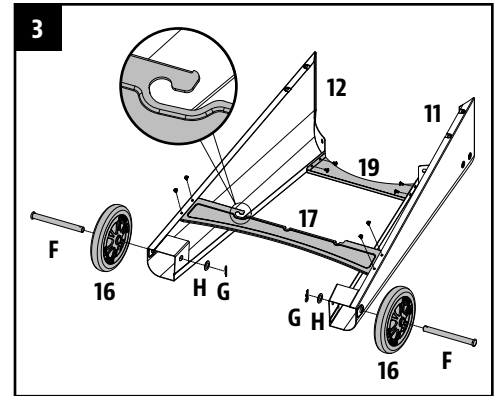
Parts Required:

- 1 x Right Front Leg (#11)
- 1 x Right Back Leg (#12)
- 1 x Right Bottom Support Plate (#17)
- 1 x Short Support Plate (#19)
- 2 x Wheel (#16)
- 8 x Screw (#D)
- 2 x Wheel Axle Pin (#F)
- 2 x Wheel Cotter Pin (#G)
- 2 x Wheel Washer (#H)

Installation:

- Install one Short Support Plate to the side of the unit between of a Front and Back Support Legs using four screws. Repeat the same installation to mount the Bottom Support Plate to the same legs.
- Attach the large Wheel to the Support Leg by inserting the Wheel Axle Pin through the Wheel Support Leg hole, then secure using the Wheel Cotter Pin. Repeat installation for other Wheel on the same side.

NOTE: Make sure Bottom Support Plate is facing up with correct direction.



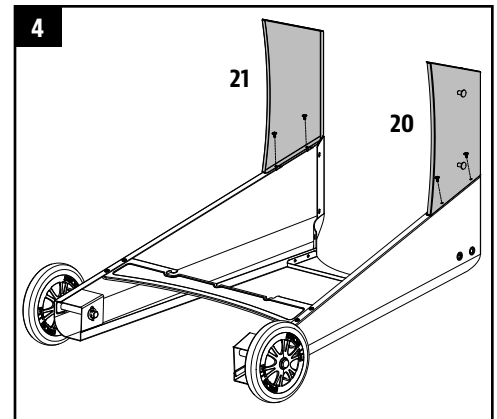
4. SECURING SUPPORT PLATE TO SUPPORT LEGS FOR WHEELS

Parts Required:

- 1 x Front Long Support Plate (#20)
- 1 x Back Long Support Plate (#21)
- 4 x Screw (#D)

Installation:

- Secure one Long Support Plate to one Support Leg for Wheel using two screws. Ensure the flat side of the Support Plate is facing outwards. Repeat the same installation to mount the other Long Support Plate to the other Support Leg.



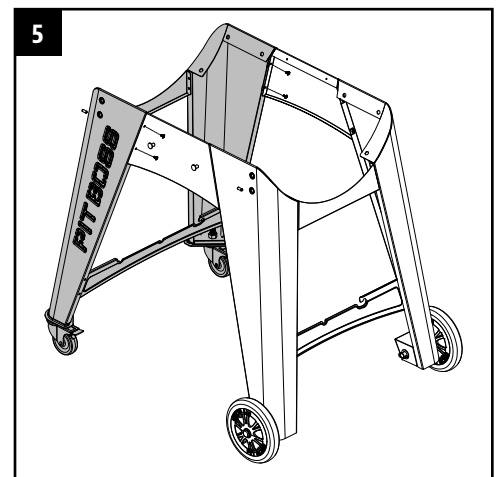
5. SECURING SUPPORT PLATE TO SUPPORT LEGS FOR CASTERS

Parts Required:

- 4 x Screw (#D)

Installation:

- Next, Secure the Long Support Plates to the Support Legs for Caster Wheel. Secure using two screws for each plate.



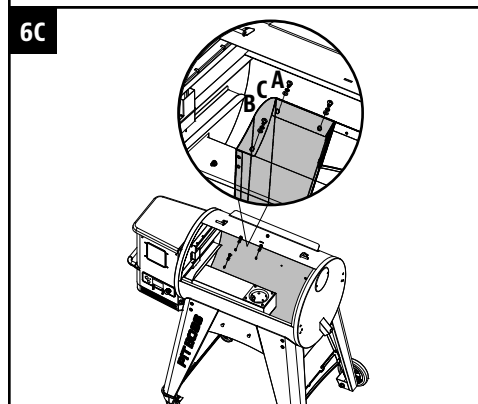
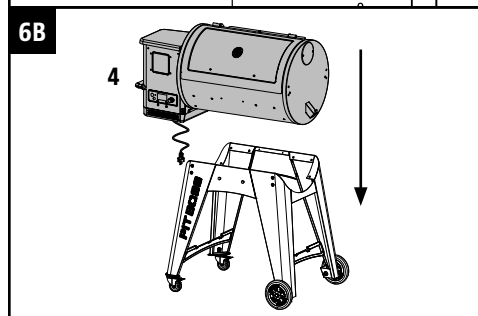
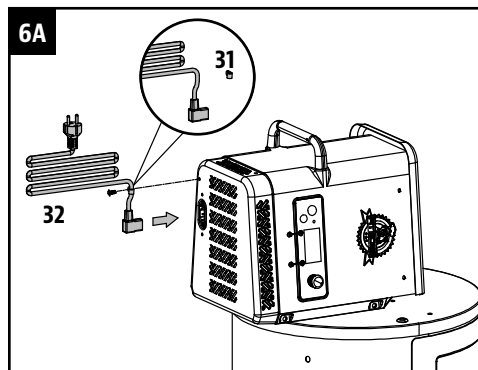
6. MOUNTING MAIN BARREL TO THE CART

Parts Required:

- 1 x Main Barrel (#4)
- 1 x Cable Clips (#31)
- 1 x Power Cord (#32)
- 12 x Screw (#A)
- 12 x Washer (#B)
- 12 x Locking Washer (#C)

Installation:

- Place the Cable Clips on the Power Cable. Insert the power cord into a groove at the bottom of the hopper.
- Secure the wire clip to the hopper using screws pre-installed at the bottom of the hopper. Note illustration 6A.
- Secure the wire Prepare the Main Barrel to be mounted to the Cart. Carefully, lift the Cart into an upright position with the wheels on the bottom. Position the Cart next to the Main Barrel, with both facing the same direction. Lock the Caster Wheels on the Cart. Using a second person, prepare to lift the Main Barrel onto the Cart. With one person lifting from the hopper side, and the other person lifting from the opposing barrel end, carefully lift the Main Barrel, and slowly lower onto the Cart. Note illustration 6B.
- Next, open the Main Barrel lid. Adjust the rotation as needed to align the screw holes of the Main Barrel to the Cart. Once placed, secure each leg to the Main Barrel using three screws, washers, and locking washers. Note illustration 6C.



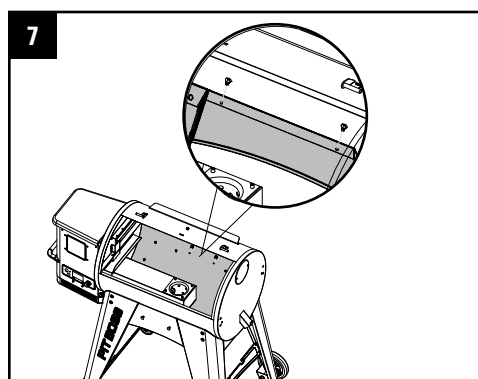
7. SECURING SUPPORT PLATES TO THE GRILL

Parts Required:

- 4 x Screw (#E)

Installation:

- Secure each Long Support Plate to the Main Barrel using two screws.



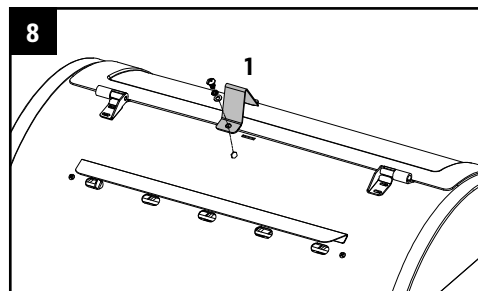
8. INSTALLING THE LID STOPPER

Parts Required:

- 1 x Lid Stopper (#1)

Installation:

- Secure the Lid Stopper onto the top of the Main Barrel using the pre-installed screw on top of the Main Barrel.



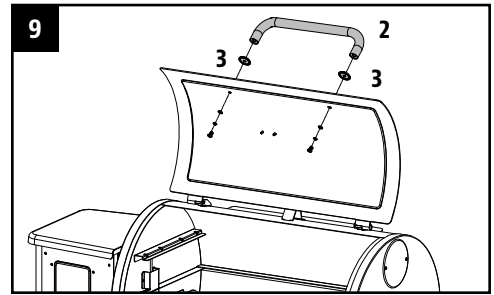
9. INSTALLING THE LID HANDLE

Parts Required:

- 1 x Lid Handle (#2)
- 2 x Lid Handle Bezel (#3)

Installation:

- Remove the pre-installed screws from the Lid Handle. From inside the barrel lid, insert one screw protrude to the outside. Add a Bezel on the screw. Then hand-tighten the screw (from the inside) into the Lid Handle. Repeat for other side.



10. INSTALLING THE FLAME BROILER COMPONENTS

Parts Required:

- 1 x Flame Broiler Main Plate (#8)
- 1 x Flame Broiler Slider (#7)

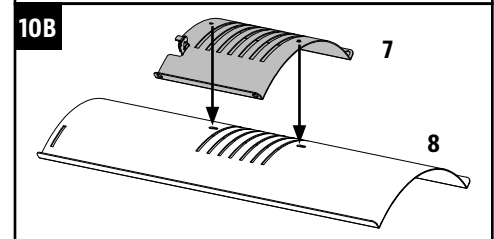
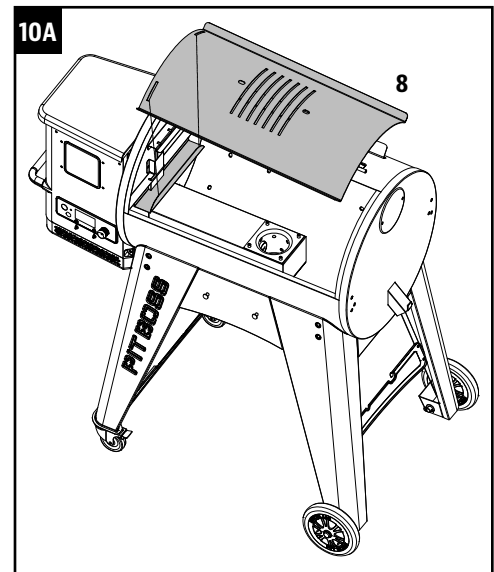
Installation:

- Insert the Flame Broiler Main Plate into the main grill. Rest the Flame Broiler Main Plate on the built-in ledge (on the inside right) of the Main Grill that directs grease towards the grease bucket spout. Slide the entire piece to the left side, and the two slots on the Flame Broiler Main Plate will fit into the rounded ledge above the burn pot. It will sit slightly at a downward angle. Note illustration 10A.

IMPORTANT: If the Main Plate is resting on the base of the Barrel, it is installed incorrectly. Poor installation may result in damage to your Main Grill Barrel.

- Place the Flame Broiler Slider on top of the Flame Broiler Main Plate covering the slotted openings. Ensure the raised tab is on the left and the two pins at the bottom of the Flame Broiler Slider place into the holes of the Flame Broiler Main Plate to easily adjust for direct and indirect flame when cooking. Both flame broiler parts are lightly coated with oil to avoid rusting when shipped. Note illustration 10B.

NOTE: To maintain the searing and grilling performance of your cooking grids, regular care and maintenance is required. See Owner's Manual.



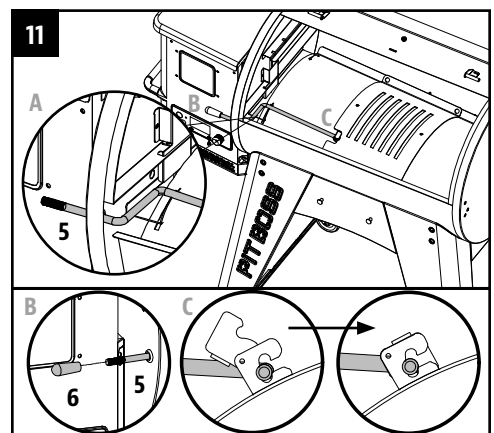
11. INSTALLING FLAME BROILER ADJUSTING BAR

Parts Required:

- 1 x Flame Broiler Adjusting Bar (#5)
- 1 x Flame Broiler Adjusting Bar Handle (#6)

Installation:

- Insert the Flame Broiler Adjusting Bar through the opening hole on the left side of the Main Barrel. Add the Flame Broiler Adjusting Bar Handle on the end outside the Barrel. Next, slide the notched end of the Adjusting Bar into the locking tab on the Flame Broiler Slider, giving you adjustable access to the Flame Broiler Slider on the Main Plate.



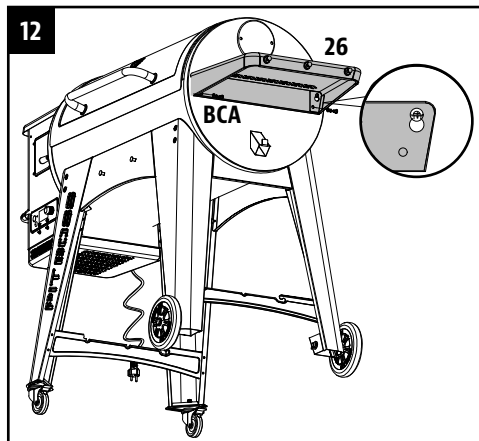
12. INSTALLING THE SIDE SHELF

Parts Required:

- 1 x Side Table (#26)
- 2 x Screw (#A)
- 2 x Washer (#B)
- 2 x Locking Washer (#C)

Installation:

- Loosen the two pre-installed screws from the side of the Main Barrel. Hook up the Side Shelf on the screws first then secure the two pre-loosened screws into place.
- From underneath, secure the Side Shelf to the side panel of the Main Barrel using two screws, washers, and locking washers.



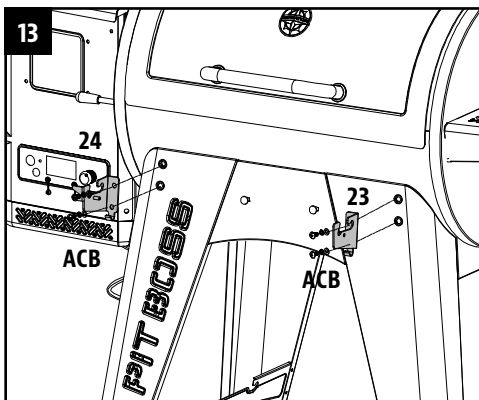
13. SECURING THE FRONT SHELF BRACKETS

Parts Required:

- 1 x Front Shelf Bracket Right (#23)
- 1 x Front Shelf Bracket Left (#24)
- 4 x Screw (#A)
- 4 x Washer (#B)
- 4 x Locking Washer (#C)

Installation:

- Secure each Front Shelf Support Bracket onto the Front Support Leg by using two screws, washers and locking washers.



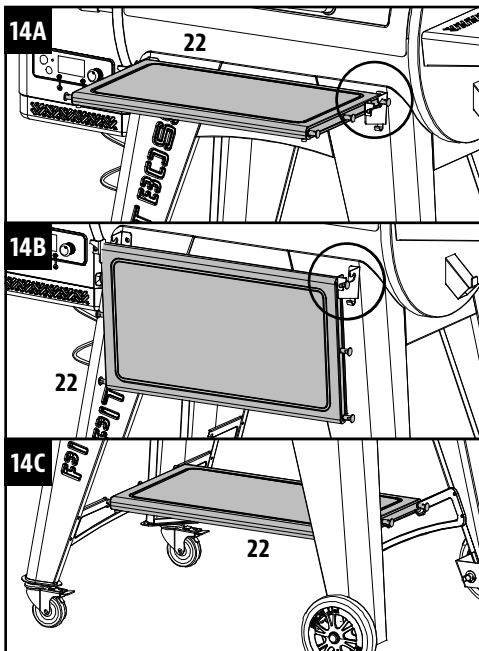
14. INSTALLING THE FRONT SHELF

Parts Required:

- 1 x Front Shelf (#22)

Installation:

- Place the Front Shelf on the Front Shelf Support Brackets. Note illustration 14A as unfolded Front Shelf.
- Note illustration 14B as folded Front Shelf.
- Front Shelf can also be placed on the Bottom Support Plates and be used as Bottom Plate. Note illustration 14C.



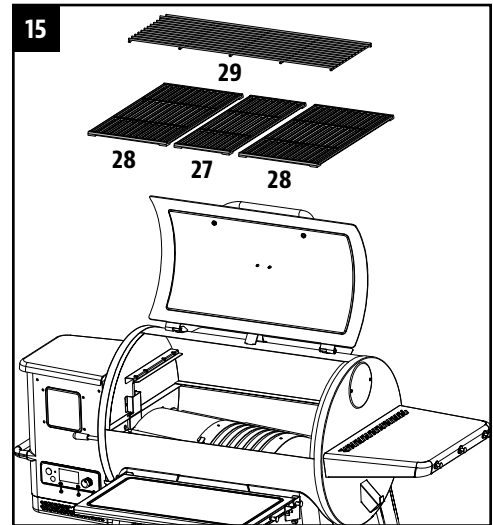
15. INSTALLING THE GRILL COOKING COMPONENTS

Parts Required:

- 1 x Cooking Grid A (#27)
- 2 x Cooking Grid B (#28)
- 1 x Porcelain-Coated Steel Upper Warming Rack (#29)

Installation:

- Place the Cooking Grids, side by side, on the grid ledge inside the Main Grill.
- Place the Upper Cooking Rack on the upper ledge inside the Main Grill. The Warming Rack will lock into place.



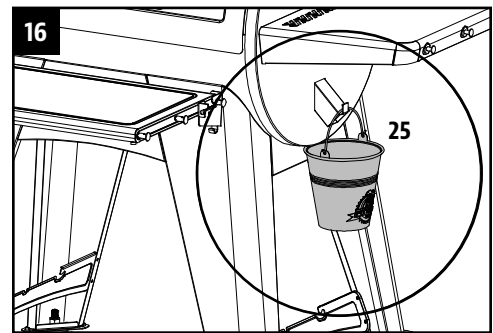
16. INSTALLING THE GREASE BUCKET

Parts Required:

- 1 x Grease Bucket (#25)

Installation:

- Place the Grease Bucket on the spout hook on the end of the Main Barrel. Ensure it is level to avoid grease spills.
- The unit is now completely assembled.



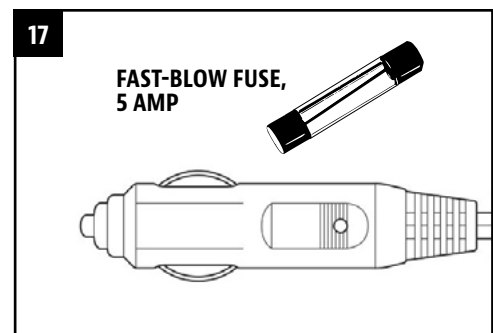
17. CONNECTING TO A POWER SOURCE

NOTE: Before plugging your Pit Boss® into any electrical outlet, ensure the temperature dial is in the OFF position.

- **STANDARD OUTLET**
This appliance requires 220-240 volts, 50hz, 250w service. It must be a 3-prong grounded plug.
- **GFCI OUTLETS**
This appliance will work on most GFCI outlets, with a recommended size of 15 amp service. If your GFCI outlet is highly sensitive to power surges, it will likely trip during the start-up phase of operation. During the start-up phase, the igniter draws 200-700 watts of electricity, which can be too much power for a GFCI outlet to handle. Each time it trips, it increases in sensitivity. If the GFCI keeps tripping, replace the outlet or change to a non-GFCI outlet.
- **ON THE ROAD**
Disconnect the igniter from the main wiring harness. Use the manual start-up procedure. A Pit Boss® unit can operate using a 12 volt, 100 watt inverter plugged into your automobile outlet. To use the automatic igniter, it is recommended to use a minimum of a 1000 watt inverter.

IMPORTANT: Disconnect unit from power source when not in use.

IMPORTANT: Refer to Owner's Manual for Operating Instructions





IMPORTANT

For all questions, inquiries, or customer support, please contact
Genesis International Corporation Pty Ltd.

+61 8 9248 9822 | service@genesiscorp.com.au



WARNING: This product can expose you to chemicals including carbon monoxide, which is a combustion by-product known to cause cancer, birth defects or other reproductive harm. For more information, go to: WWW.PRODUCTSAFETY.GOV.AU/NEWS/CARBON-MONOXIDE-SAFETY



480200424AUM

MADE IN CHINA