

DROP-IN / INSET BASIN INSTALLATION INSTRUCTIONS

IMPORTANT

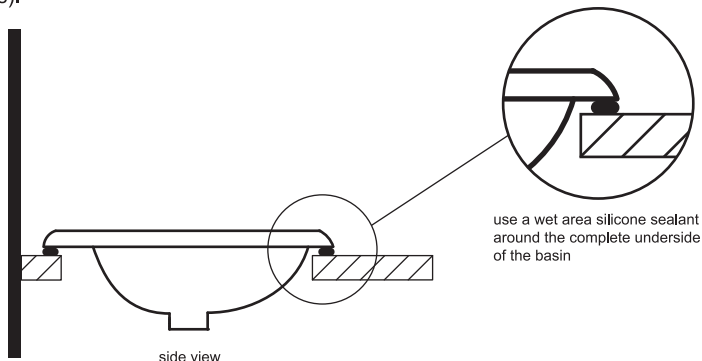
- Vitreous China product dimensions are subject to manufacturing tolerances and could vary in size from batch to batch. It is industry accepted that a variance of $\pm 5\text{mm}$ is considered normal. It is important to have the Vitreous China product on hand when making decisions on purchasing cabinets, fabricating custom-made cabinets, or making bench top cut outs.
- Prior to installation, all parts and components should be thoroughly inspected for defects. This product will not be warranted if it has been installed with pre-existing defects.
- This product should be installed by a licensed tradesperson.
- All plumbing must be installed by a licensed plumber.
- Under no circumstances should vanities and/or basins be tiled into the wall.

INSTALLATION

1. Ensure the counter top is suitable to hold the weight of the basin. Place the cut out template onto the counter top and mark the area to be cut.

NOTE: The template is provided as a guide only. Double check the measurements against the actual basin.

2. Cut along the marked line using a cutting tool suitable for the counter top material.
3. Test fit the position of the basin to ensure that the basin waste will mate to the trap connection, or modify the pipework to suit.
4. When satisfied with the position, use a wet area silicone sealant around the complete underside of the basin to ensure it is fully supported (see diagram below) and secured to the counter top ensuring the basin sits level. Allow recommended drying time before first use (refer to sealant instructions).



CARE AND MAINTENANCE

Be mindful of sharp objects that may scratch or damage the surface. Do not tap objects such as shaving razors or toothbrushes etc., against the surface.

Clean with a soft cloth and warm water or a mild detergent. Do not use abrasive cleaners or harsh chemicals. Avoid leaving toothpaste or residues from other bathroom products on the surface for extended periods.