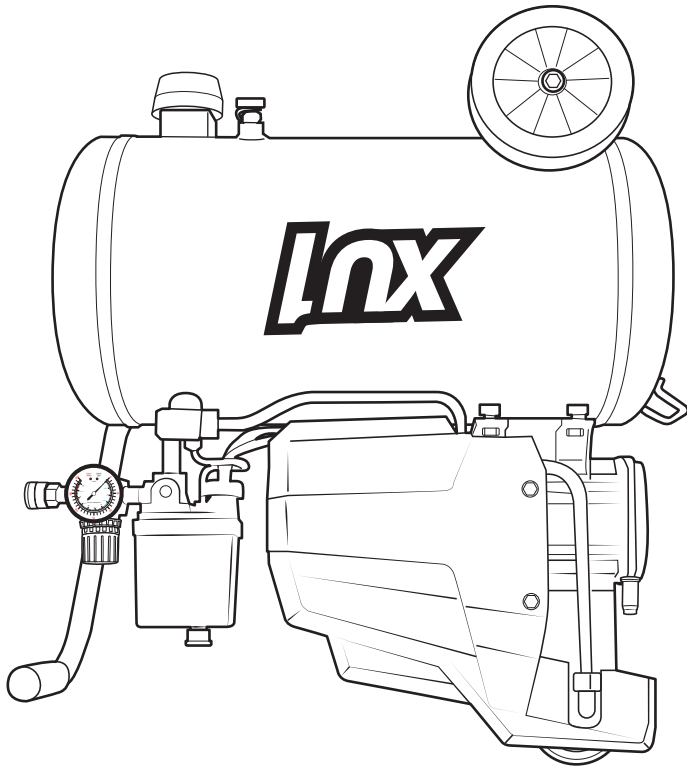


**REPLACEMENT WARRANTY**  
**12 MONTHS HOME USE**

**Operating Instructions**  
**XACP-2115**

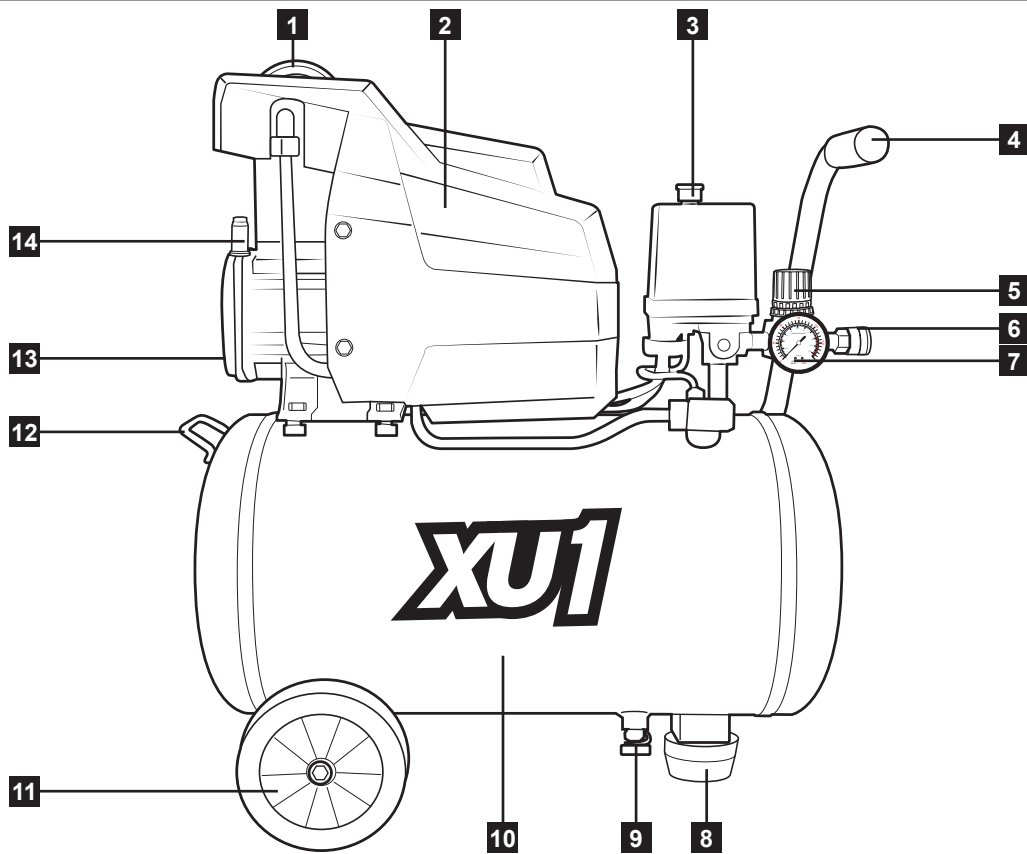


**21L 1.5HP**  
**Compressor**  
**Oiled/Air**  
**XUT**

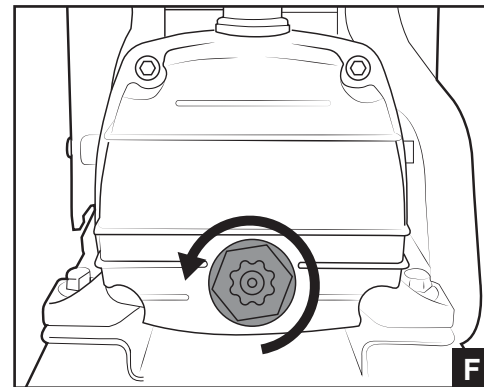
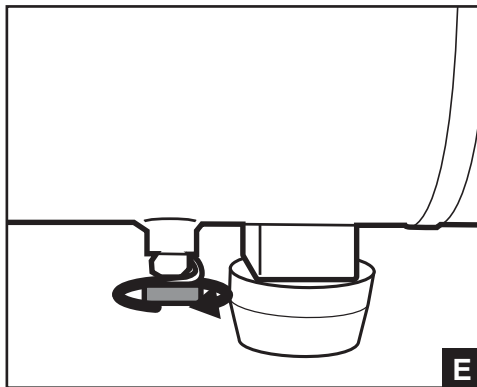
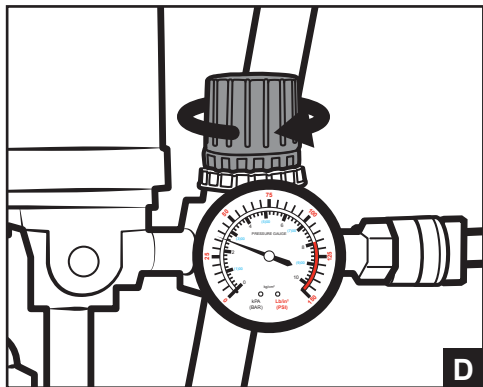
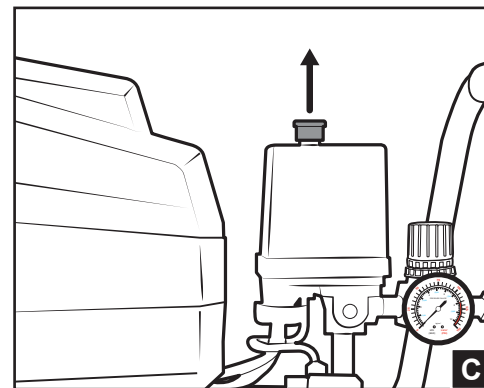
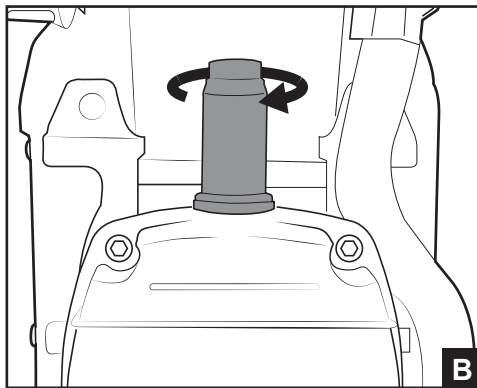
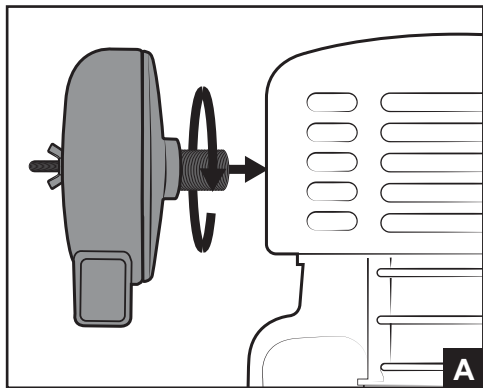
**XU1 Power tools**

25 Fox Drive, Dandenong South, Victoria, Australia 3175

**Telephone:** 1800 069 486



- |                       |                              |                      |
|-----------------------|------------------------------|----------------------|
| 1. Air Filter         | 6. Regulated Pressure Outlet | 11. Wheel            |
| 2. Motor              | 7. Pressure Gauge            | 12. Tank Handle      |
| 3. On/Off Switch      | 8. Support Foot              | 13. Oil Drain Screw  |
| 4. Carry Handle       | 9. Drain Valve               | 14. Oil Sealing Plug |
| 5. Pressure Regulator | 10. Pressure Tank            |                      |



# SPECIFICATIONS

<b>Power Supply:</b>	230-240V ~ 50Hz
<b>Motor:</b>	1100W (1.5HP) S3 50%
<b>Tank Capacity:</b>	21L
<b>No Load Speed:</b>	2,850/min
<b>Max. Pressure:</b>	8bar (116psi)
<b>Max. Flow Rate:</b>	140L/min
<b>Free Air Delivery:</b>	70L/min
<b>IP Rating:</b>	IP20
<b>Weight:</b>	22.5kg

# PROPER USE

This tool is intended for use in a DIY (Do It Yourself) context or for hobbyist purposes. It is not built for continuous daily use in a trade or professional capacity.

Before using the machine, carefully read these instructions, especially the safety rules to help ensure that your machine always operates properly.

Before attempting to operate the machine, familiarise yourself with the controls and make sure you know how to stop the machine quickly in an emergency.

Save these instructions and the other documents supplied with this machine for future reference.

# SETUP



**WARNING!** Ensure the tool is turned off and disconnected from the power supply before performing any of the following operations.

## Pre-Setup Checks

- Examine the machine for signs of transit damage. If damaged, do not use, return to place of purchase
- The compressor should be set up near to the user.
- Avoid long air lines and long supply lines (extensions).
- Make sure the intake air is dry and dust-free.
- Do not set up the compressor in damp or wet rooms. The compressor is designed to be used in dry rooms. It is prohibited to use the compressor in areas where work is conducted with sprayed water.
- Before you use the machine, make sure that the mains voltage complies with the specifications on the rating plate.
- The compressor may only be used in suitable areas (with good ventilation and an ambient temperature from 5°C to 40°C). There must be no dust, acids, vapours, explosive or flammable gases in the room.
- The oil level in the compressor pump has to be checked before putting the equipment into operation.



**WARNING!** Always keep the compressor upright. Tipping the compressor on its side may cause the oil in the motor to leak out and damage the unit.

## Fitting The Air Filter

1. Attach the supplied air filter by screwing it in clockwise. **FIG. A**

## Attaching The Support Foot

1. Place the supporting foot and then a small washer onto the small bolt. Thread this through the hole in the foot bracket.
2. Thread the other small washer and then the spring washer onto the bolt. Secure the assembly with the small nut.

## Attaching The Wheels

1. Place the large bolt through the wheel and a large washer. Then slide this through the hole in the wheel bracket. Place a large washer then a spring washer onto the bolt and secure this with a large nut.
2. Repeat step 1 to fit the second wheel on the opposite side of the tank.

## Connecting The Air Hose

1. Pull back the sleeve on the regulated pressure outlet of the compressor and insert the male Nitto end of the air hose..
2. Release the sleeve; the Nitto coupling should click into place.
3. Check that the fitting is secure by tugging gently on the connector. If the hose detaches, repeat steps 2 & 3, pushing the Nitto connector firmly into the outlet.



**WARNING!** Ensure you have a firm grip on the air hose when disconnecting it from the air compressor, as pressurised air in the tank may cause it to whip around and inflict injury or damage.

## Fitting The Oil Sealing Plug

1. Remove the transportation cover from the oil filler opening with a flathead screwdriver.
2. Insert the oil sealing plug into the oil filler opening. **FIG. B**

## Checking The Oil Level

1. Place the compressor on a level surface.
2. Check that the oil level is between the the 'MAX' and 'MIN' marks on the oil level window.
3. If the oil level is below the 'MIN' mark, refer to the Maintenance section - Changing The Oil and follow the directions for refilling the oil in the compressor.

# CONTROLS



**WARNING!** The air compressor must be used with a residual current device with a rated residual current of 30ma or less.



**WARNING!** Do not leave the air compressor unattended while the on/off switch is in the 'on' position.

## Switching The Compressor On/Off

1. To switch the compressor on, pull the on/off switch to the 'I' position. Allow the motor to run and the tank to fill up. **FIG. C**
2. To switch the compressor off, press the on/off switch to the 'O' position.

**Note:** The compressor will automatically cut off when the tank pressure reaches 8bar and will automatically start up again when the tank pressure drops to 6bar.

## Thermal Overload Protection

This Air Compressor is fitted with thermal protection and will shut off to protect the compressor from overheating.

The compressor may also have shut off due to reaching max. cut off pressure. If you are unsure, use an attached blow gun to release some of the pressure until the tank pressure gauge drops below 6bar. If the motor does not automatically start up, the unit has overloaded and the thermal protection has activated.

If the thermal protection activates, switch off the compressor and allow the compressor to cool down for 15 minutes. Before attempting to restart the air compressor, check that the oil level is sufficient and that the air filter is not blocked. Refer to the Maintenance section to clean air filter or add oil if needed.



**WARNING!** Allow the air compressor to cool before attempting any maintenance.



**WARNING!** Do not continue use of the unit if the thermal protection activates again immediately after the reset.



**WARNING!** Before connecting the compressor to the power source, check for broken components and accessories. Also check for damage to the hose. Do not proceed if any component or part shows sign of wear or damage. Replace the part or take it to an authorised repairer.

## Adjusting The Output Pressure

The output pressure of the regulated pressure outlet can be adjusted to suit the air tool connected and the task at hand.

1. To do so, first decrease the pressure to 0psi by turning the pressure regulator anti-clockwise.
2. Then turn the pressure regulator clockwise until the desired pressure is shown on the regulated pressure gauge. **FIG. D**



**WARNING!** Do not attempt to adjust/modify the safety valve in any way. The Safety valve installed on this air compressor is designed to automatically release pressure in case of excess pressure build up in the tank.

# OPERATION

## Starting Up The Compressor

For best practice, the compressor should be run without any load for 20 minutes before first use to lubricate the bearings and piston. This procedure should also be performed if the compressor has been stored for 6 months or more without operation.

1. Disconnect all air hoses from the outlets and open the drain valve fully with a spanner to prevent pressurised air buildup in the tank.
2. Make sure the power switch is in the off position. Plug the power supply cord into a mains outlet.
3. Switch the compressor on and allow it to run for 20 minutes without any loads/tools attached and allow any liquid to drain from the tank.
4. Turn off the compressor and close the drain valve. The compressor is now ready for use.
5. Attach the desired tool to one end of an air hose and the air hose to an outlet depending on the tool or application.
6. Turn the compressor back on and adjust the regulated pressure to the desired level once the pump has shut off and the compressor has reached cut-off pressure (8bar).

## Shutting Down The Compressor

Do not turn the air compressor off by unplugging it from the mains power as it may result in damage to the motor.

1. Turn the compressor off with the on/off switch and then unplug the cord.
2. Attach a blow gun to the compressor and use it to discharge any remaining air in the compressor tank.
3. Rotate the pressure regulator anti-clockwise until it is fully closed; check the regulated pressure gauge to ensure that it reads 0psi.
4. Also turn on the air tool to discharge any remaining pressurised air in the air hose.
5. Remove the air hose and any other connected accessories.



**WARNING!** Release all air pressure from the tank before opening the Drain Valve. Take care when discharging air through the drain Valve or air Outlets. The discharged air can cause dust, stones, or any other foreign particles to be blown through the air at high pressure.

6. When no more air is released, open the drain valve to release any accumulated liquid from the tank.
7. Close the drain valve, allow the compressor to cool down, then clean and store the unit.

# MAINTENANCE



**WARNING!** Ensure the tool is turned off and disconnected from the power supply before performing any of the following operations.

## Cleaning

1. We recommend that you clean the appliance immediately after you use it.
2. Keep the safety devices free of dirt and dust as much as possible. Wipe the equipment with a clean cloth.
3. Clean the appliance regularly with a damp cloth and some soft soap. Do not use cleaning agents or solvents; these may be aggressive to the plastic parts in the appliance. Ensure that no water can get into the interior of the appliance.
4. You must disconnect the hose and any spraying tools from the compressor before cleaning. Do not clean the compressor with water, solvents or the like.

## Storage

Pull the mains plug out of the socket and ventilate the appliance and all connected pneumatic tools. Switch off the compressor and make sure that it is secured in such a way that it cannot be started up again by any unauthorised person.

Store the compressor only in a dry location which is not accessible to unauthorised persons.

## Supply Cords

If replacement of the supply cord is necessary, this has to be done by a certified electrician in order to avoid a safety hazard.

**Note:** XU1 will not be responsible for any damage or injuries caused by the repair of the tool by an unauthorised person or by mishandling of the tool.

## Draining The Pressure Tank



**WARNING!** Release all air pressure from the tank before opening the Drain Valve. Take care when discharging air through the Safety Valve, Drain Valve or air Outlets. The discharged air can cause dust, stones, or any other foreign particles to be blown through the air at high pressure.

Air in the compressor tank causes water to accumulate. This must be drained off frequently to prevent corrosion and damage to the unit. This should be performed after each use and prior to the next use.

1. Turn the drain valve plug anti-clockwise (when viewed from the bottom of the tank) to open it. **FIG. E**
2. Allow all of the water in the tank to drain out.
3. Replace the drain valve plug and turn it clockwise to tighten it.

**Note:** The tank will not pressurise while the drain valve is open.

## Cleaning The Air Filters

The air filters prevent dust and dirt being drawn in. It is essential to clean these filters at least after every 100 hours in service. Clogged air filters will decrease the performance of the compressor dramatically.

1. Allow the compressor to run and build up pressurised air in the tank. Once the motor has stopped running, turn the compressor off and disconnect it from the power supply.
2. With an air hose and blow gun connected to the regulated pressure outlet, turn the pressure regulator until the regulated pressure gauge shows a pressure of around 3bar.
3. Undo the screw on the cover of the air filter unit and lift off plastic cover.
4. Remove the filter sponge from the housing, tap it and spray it with the blow gun to remove any dirt. Re-insert it into the housing.
5. Re-attach the lid and replace the screw.

## Changing The Oil

The oil should be refilled for the first time after 100 hours of operation. Thereafter, the oil should be drained and refilled after every 500 hours of service.

1. Release any accumulated air pressure from the tank and ensure that it is disconnected from the power supply.
2. Remove the oil drainage screw and use a vessel to collect the oil from the unit as it drains out. **FIG. F**

**Note:** if the oil does not drain out completely, the compressor may be tilted slightly to facilitate this.

3. Re-attach the oil drainage screw.
4. Remove the oil sealing plug and fill the pump with oil up to the required level (approximately 200ml). SAE 5W/40 oil or an alternative of the same quality is recommended.
5. Replace the oil sealing plug.
6. Dispose of the old oil in a responsible manner by taking it to an old oil drop off point. Check with your local council for more information. DO NOT dispose of old oil down the drain.

# WARRANTY

YOUR WARRANTY FORM SHOULD BE RETAINED BY YOU AT ALL TIMES. IN ORDER TO MAKE A CLAIM UNDER THIS WARRANTY YOU MUST RETURN THE PRODUCT TO YOUR NEAREST BUNNINGS WAREHOUSE WITH YOUR BUNNINGS REGISTER RECEIPT. PRIOR TO RETURNING YOUR PRODUCT FOR WARRANTY. PLEASE TELEPHONE OUR CUSTOMER SERVICE HELPLINE:

**Australia 1800 069 486**

**New Zealand 0508 069 486**

TO ENSURE A SPEEDY RESPONSE PLEASE HAVE THE MODEL NUMBER AND DATE OF PURCHASE AVAILABLE. A CUSTOMER SERVICE REPRESENTATIVE WILL TAKE YOUR CALL AND ANSWER ANY QUESTIONS YOU MAY HAVE RELATING TO THE WARRANTY POLICY OR PROCEDURE.

The benefits provided under this warranty are in addition to other rights and remedies which are available to you at law.

Our goods come with guarantees that cannot be excluded at law. You are entitled to a replacement or refund for a major failure and for compensation for any other reasonably foreseeable loss or damage. You are also entitled to have the goods repaired or replaced if the goods fail to be of acceptable quality and the failure does not amount to a major failure.

Generally you will be responsible for all costs associated with a claim under this warranty, however, where you have suffered any additional direct loss as a result of a defective product you may be able to claim such expenses by contacting our customer service helpline above.

### 1 YEAR REPLACEMENT WARRANTY

Your product is guaranteed for a period of 12 months from the original date of purchase and is intended for DIY (Do It Yourself) use only. If a product is defective it will be replaced in accordance with the terms of this warranty. Warranty excludes consumable parts, for example: driver bits.

Ozito Industries Pty. Ltd.

25 Fox Drive, Dandenong South, Victoria, Australia  
3175










### WARNING

The following actions will result in the warranty being void.

- Professional, Industrial or high frequency use.
- If the tool has been operated on a supply voltage other than that specified on the tool.
- If the tool shows signs of damage or defects caused by or resulting from abuse, accidents or alterations.
- Failure to perform maintenance as set out within the instruction manual.
- If the tool is disassembled or tampered with in any way.

# SAFETY INSTRUCTIONS

## Description of symbols

	Read instruction manual
	Warning
	Regulatory Compliance Mark (RCM)
	Wear hearing protection
	Beware of electrical voltage
	Beware of hot parts
	Warning! The equipment is remote controlled and may start up without warning
	Do not open the outlet before the air hose is attached
	Sound power level
V	Volts
/min	Revolutions per minute
n <sub>0</sub>	No load speed
Hz	Hertz
~	Alternating Current
L	Litres
bar	Pressure rating
IP20	No protection against ingress from water
W	Watts

# CARING FOR THE ENVIRONMENT



Power tools that are no longer usable should not be disposed of with household waste but in an environmentally friendly way.

Please recycle where facilities exist. Check with your local council authority for recycling advice.



Recycling packaging reduces the need for landfill and raw materials. Reuse of recycled material decreases pollution in the environment. Please recycle packaging where facilities exist.

Check with your local council authority for recycling advice.

# ELECTRICAL SAFETY



**WARNING!** When using mains-powered tools, basic safety precautions, including the following, should always be followed to reduce risk of fire, electric shock, personal injury and material damage.

Read the whole manual carefully and make sure you know how to switch the tool off in an emergency, before operating the tool.

This tool has been designed for 230V and 240V only. Always check that the power supply corresponds to the voltage on the rating plate.

**Note:** The supply of 230V and 240V on Ozito tools are interchangeable for Australia and New Zealand.

## Using an Extension Lead

Always use an approved extension lead suitable for the power input of this tool. Before use, inspect the extension lead for signs of damage, wear and ageing. Replace the extension lead if damaged or defective.

When using an extension lead on a reel, always unwind the lead completely. Use of an extension lead not suitable for the power input of the tool or which is damaged or defective may result in a risk of fire and electric shock.

The power supply for this product should be protected by a residual current device (rated at 30mA or less). A residual current device reduces the risk of electric shock.



# GENERAL POWER TOOL SAFETY WARNINGS



**WARNING!** Read all safety warnings and all instructions. Failure to follow the warnings and instructions may result in electric shock, fire and/or serious injury.

**Save all warnings and instructions for future reference.** The term "power tool" in all of the warnings refers to your mains-operated (corded) power tool or battery-operated (cordless) power tool.



**WARNING!** Read all safety warnings and all instructions. Failure to follow the warnings and instructions may result in electric shock, fire and/or serious injury.

Save all warnings and instructions for future reference. The term "power tool" in the warnings refers to your mains-operated (corded) power tool or battery-operated (cordless) power tool.

## 1. Work area safety

### a. Keep work area clean and well lit.

Cluttered or dark areas invite accidents.

### b. Do not operate power tools in explosive atmospheres, such as in the presence of flammable liquids, gases or dust.

Power tools create sparks which may ignite the dust or fumes.

### c. Keep children and bystanders away while operating a power tool.

Distractions can cause you to lose control.

## 2. Electrical safety

### a. Power tool plugs must match the outlet. Never modify the plug in any way. Do not use any adapter plugs with earthed (grounded) power tools.

Unmodified plugs and matching outlets will reduce risk of electric shock.

### b. Avoid body contact with earthed or grounded surfaces, such as pipes, radiators, ranges and refrigerators.

There is an increased risk of electric shock if your body is earthed or grounded.

### c. Do not expose power tools to rain or wet conditions.

Water entering a power tool will increase the risk of electric shock.

### d. Do not abuse the cord. Never use the cord for carrying, pulling or unplugging the power tool. Keep cord away from heat, oil, sharp edges or moving parts.

Damaged or entangled cords increase the risk of electric shock.

### e. When operating a power tool outdoors, use an extension cord suitable for outdoor use.

Use of a cord suitable for outdoor use reduces the risk of electric shock.

## 3. Personal safety

### a. Stay alert, watch what you are doing and use common sense when operating a power tool. Do not use a power tool while you are tired or under the influence of drugs, alcohol or medication.

A moment of inattention while operating power tools may result in serious personal injury.

### b. Use personal protective equipment. Always wear eye protection.

Protective

equipment such as dust mask, gloves, non-skid safety shoes, hard hat, or hearing protection used for appropriate conditions will reduce personal injuries.

### c. Prevent unintentional starting.

**Ensure the switch is in the off-position before connecting to power source and/or battery pack, picking up or carrying the tool.** Carrying power tools with your finger on the switch or energising power tools that have the switch on invites accidents.

### d. Remove any adjusting key or wrench before turning the power tool on.

A wrench or a key left attached to a rotating part of the power tool may result in personal injury.

### e. Do not overreach. Keep proper footing and balance at all times.

This enables better control of the power tool in unexpected situations.

### f. Dress properly. Do not wear loose clothing or jewellery. Keep your hair, clothing and gloves away from moving parts.

Loose clothes, jewellery or long hair can be caught in moving parts.

### g. If devices are provided for the connection of dust extraction and collection facilities, ensure these are connected and properly used.

Use of dust collection can reduce dust-related hazards.

### h. Do not let familiarity gained from frequent use of tools allow you to become complacent and ignore tool safety principles.

A careless action can cause severe injury within a fraction of a second.

## 4. Power tool use and care

### a. Do not force the power tool. Use the correct power tool for your application.

The correct power tool will do the job better and safer at the rate for which it was designed.

### b. Do not use the power tool if the switch does not turn it on and off.

Any power tool that cannot be controlled with the switch is dangerous and must be repaired.

### c. Disconnect the plug from the power source and/or the battery pack from the power tool before making any adjustments, changing accessories, or storing power tools.

Such preventive safety measures reduce the risk of starting the power tool accidentally.

### d. Store idle power tools out of the reach of children and do not allow persons unfamiliar with the power tool or these instructions to operate the power tool.

Power tools are dangerous in the hands of untrained users.

### e. Maintain power tools.

Check for misalignment or binding of moving parts, breakage of parts and any other condition that may affect the power tool's operation. If damaged, have the power tool repaired before use. Many accidents are caused by poorly maintained power tools.

### f. Keep cutting tools sharp and clean.

Properly maintained cutting tools with sharp cutting edges are less likely to bind and are easier to control.

### g. Use the power tool, accessories and tool bits etc. in accordance with these instructions, taking into account the working conditions and the work to be performed.

Use of the power tool for operations different from those intended could result in a hazardous situation.

### h. Keep handles and grasping surfaces dry, clean and free from oil and grease.

Slippery handles and grasping surfaces do not allow for safe handling and control of the tool in unexpected situations.

## 5) Battery tool use and care

### a) Recharge only with the charger specified by the manufacturer.

A charger that is suitable for one type of battery pack may create a risk of fire when used with another battery pack.

### b) Use power tools only with specifically designated battery packs.

Use of any other battery packs may create a risk of injury and fire.

### c) When battery pack is not in use, keep it away from other metal objects, like paper clips, coins, keys, nails, screws or other small metal objects, that can make a connection from one terminal to another.

Shorting the battery terminals together may cause burns or a fire.

### d) Under abusive conditions, liquid may be ejected from the battery; avoid contact.

If contact accidentally occurs, flush with water. If liquid contacts eyes, additionally seek medical help. Liquid ejected from the battery may cause irritation or burns.

### e) Do not use a battery pack or tool that is damaged or modified.

Damaged or modified batteries may exhibit unpredictable behaviour resulting in fire, explosion or risk of injury.

### f) Do not expose a battery pack or tool to fire or excessive temperature.

Exposure to fire or temperature above 130 °C may cause explosion.

### g) Follow all charging instructions and do not charge the battery pack or tool outside the temperature range specified in the instructions.

Charging improperly or at temperatures outside the specified range may damage the battery and increase the risk of fire.

## 6) Service

### a) Have your power tool serviced by a qualified repair person using only identical replacement parts.

This will ensure that the safety of the power tool is maintained.

### b) Never service damaged battery packs.

Service of battery packs should only be performed by the manufacturer or authorized service provider.

# ADDITIONAL SAFETY WARNINGS FOR AIR COMPRESSORS



**WARNING! The appliance is not to be used by persons (including children) with reduced physical, sensory or mental capabilities, or lack of experience and knowledge, unless they have been given supervision or instruction.**

**Young children should be supervised to ensure that they do not play with the appliance.**

The appliance may not be suitable for use in environments having a warm damp equable climate. If the compressor repeatedly shuts off due to thermal overload protection, stop using the compressor and wait until the environment has sufficiently cooled before resuming use.

- Always remove the plug from the mains socket before making any adjustments or performing maintenance.
- Avoid using an extension cord with this product. Use additional air hose instead of an extension cord to prevent power loss and possible damage to the motor. Use of an extension cord voids the warranty.
- To reduce the risk of fire or explosion, never spray flammable liquids in a confined area. If sparks come into contact with petrol vapours or solvents, they may ignite the vapours and cause a fire or explosion.
- Always operate the compressor in a well ventilated area. Do not smoke while spraying. Do not spray where sparks or flames are present. Keep the compressor as far away from the spray area as possible.
- The solvents trichloroethane and methylene chloride can chemically react with the aluminium used in some paint spray guns and form an explosion. If these solvents are used, ensure that only stainless steel spray equipment is connected. The compressor is not affected by the use of these solvents.
- Never directly inhale the compressed air produced by a compressor and do not use it for charging breathing tanks.
- Do not use welding equipment in close proximity to the compressor. Do not weld anything to the air tank of the compressor: this could dangerously weaken the tank and will void the warranty.
- Do not use the compressor outdoors when it is raining or on a wet surface; either situation could cause an electric shock.
- Always maintain a safety distance of at least 3 meters between the compressor and the work area, Ensure that the compressor is on a stable surface.
- Always use the handle to move the compressor.
- Never let the compressor come into contact with water or other liquids, as the appliance is live, this could cause electrocution or short-circuits. Never use the appliance with bare feet, wet hands or wet feet.
- Never pull on the power cable to disconnect the plug from the power outlet or to move the compressor.
- The compressed air produced by the compressor cannot not be used for pharmaceutical, food or medical purposes or to fill the air bottles of scuba divers.
- Do not cover the air inlets on the compressor.
- Compressors and lines reach high temperatures during operation. Avoid contact! Risk of burns!
- Gases or vapours drawn in by the compressor have to be kept free of constituents that may cause fire or explosions inside the compressor.

- Do not attempt to adjust/modify the safety valve in any way. The safety valve installed on this air compressor is designed to automatically release pressure in case of excess pressure build up in the tank.

- Drain the moisture from the tank after use. It will help prevent corrosion.
- When you disconnect the hose coupling, hold the coupling element in your hand to prevent injury from the whiplashing hose.
- Never point the blow-out gun at other persons and never use it to clean clothes that are still being worn.
- Be certain to read all the labels on the containers of paint or other materials to be sprayed. Closely follow all safety instructions. Use a respirator mask if there is a chance that you might otherwise inhale the spray material. Carefully check the effectiveness of any respirator mask you intend using.
- Always wear safety goggles or glasses when using the air compressor. Never point the nozzle of an accessory towards any part of your body or towards another person.
- Keep the compressor at least 300mm from the nearest wall to ensure adequate ventilation for cooling purposes. Protect the air hose and cordset from damage. Inspect for weak or worn spots regularly and replace if necessary.

Always switch off the compressor before switching off the power or removing the power plug.

After using the compressor, switch off the on/off button, disconnect the power supply and use a blow gun or similar to release the remaining pressure in the tank.

Do not attempt to remove any part of the machine whilst it is under pressure.

Always shut off the compressor after use and before servicing. Push the on/off knob down, wait for the pressurised air to bleed from the tank from the safety valve and then remove the electrical plug from the power supply.

Check the maximum pressure rating of any tools or accessories that you intend using with the compressor. The output pressure of the air from the compressor must be regulated so that it never exceeds the rated pressure of the tool or accessory.

To avoid the risk of burns and injury from moving parts, do not operate the compressor with the safety shield removed. Allow hot parts to cool before handling or servicing.

Wear goggles, wear earmuffs, wear a breathing mask. Use safety equipment including safety goggles or shield, ear protection, breathing or respirator mask and protective clothing.

Never apply the outlet air of this compressor directly on to any part of a person's body. Do not attempt to block the air outlet with your finger or any part of your body.

The tool must be used only for its prescribed purpose. Any use other than those mentioned in this Manual will be considered a case of misuse. The user and not the manufacturer shall be liable for any damage or injury resulting from such cases of misuse.

The manufacturer shall not be liable for any changes made to the tool nor for any damage resulting from such changes.

Even when the tool is used as prescribed it is not possible to eliminate all residual risk factors. The following hazards may arise in connection with the tool's construction and design:

Damage to the lungs if an effective breathing mask is not worn.

Damage to hearing if effective earmuffs are not worn.

Damage to the eyes if effective safety goggles or shield are not worn.

**WARNING!** In the event that an air line is cut or broken, the air supply must be turned off at the compressor. A broken air line which is not supported is extremely dangerous and can whip around very quickly, both with the capability of striking people, and

blowing foreign particles into the air. Do not attempt to catch the air line but immediately keep bystanders well clear and turn off the air supply to the hose, turn off the compressor at the On / Off button, and then remove the hose from the compressor.