

AEG

PL700

Original instructions

Important!

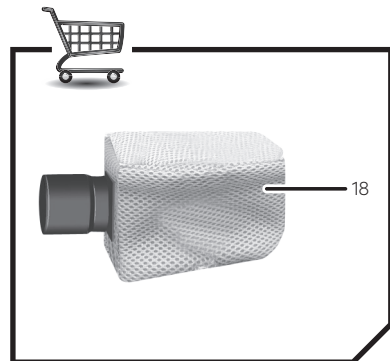
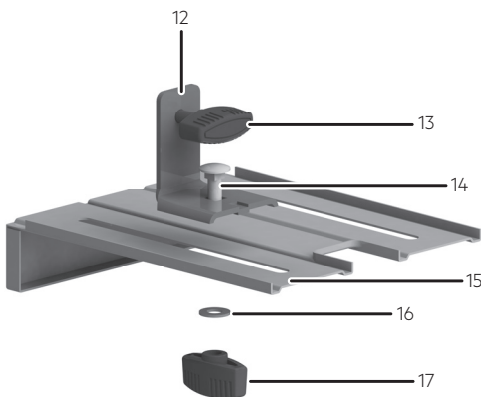
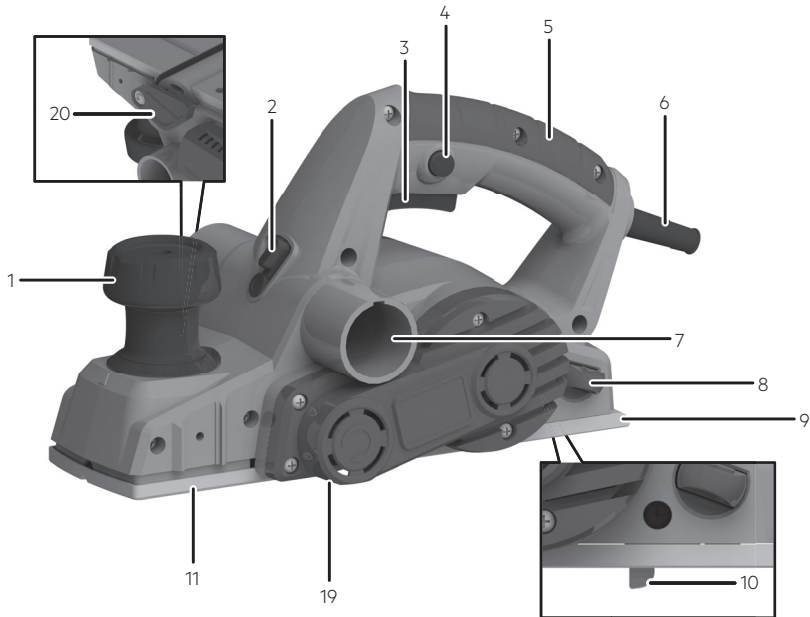
It is essential that you read the instructions in this manual before assembling, operating and maintaining the product.

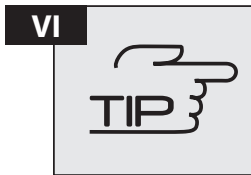
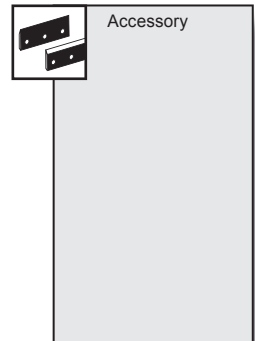
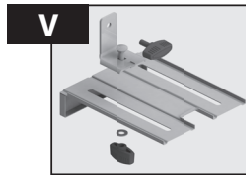
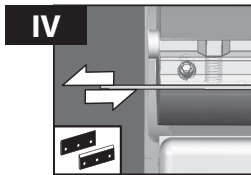
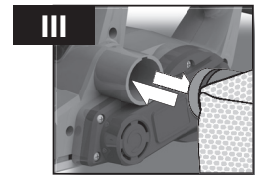
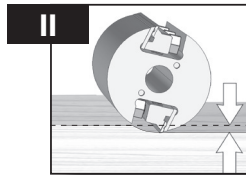
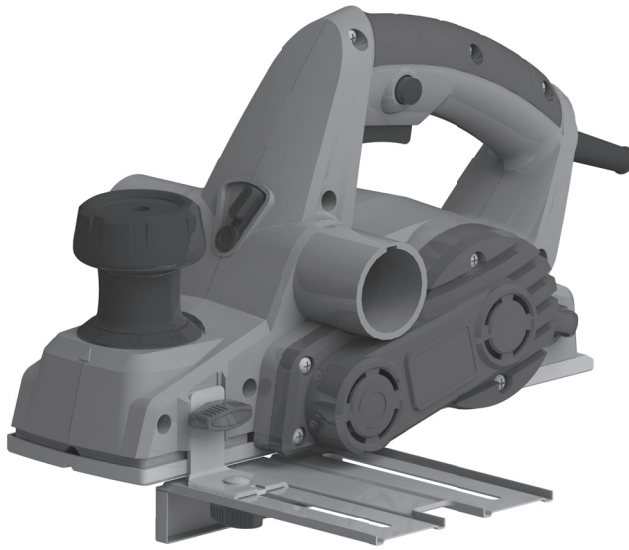
Subject to technical modifications.



1. Depth adjustment knob/front handle
2. Exhaust direction dial
3. Switch trigger
4. Lock-off button
5. Rear handle, insulated gripping surface
6. Power cord
7. Exhaust port (outer: $\varnothing 41.6\text{mm}$, inner: $\varnothing 35.5\text{mm}$)
8. Blade wrench
9. Rear base
10. Kickstand

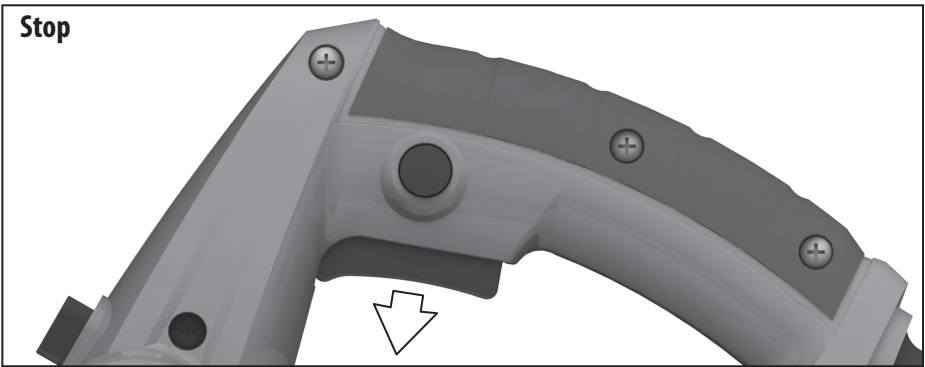
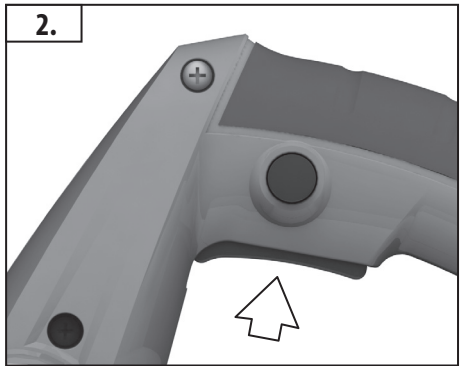
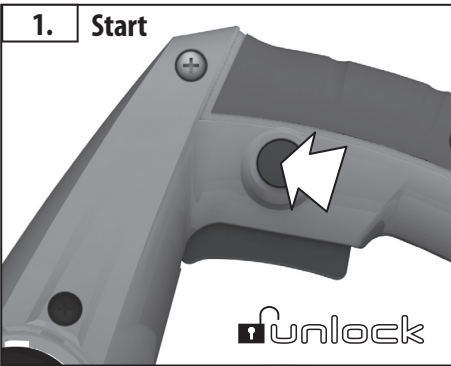
11. Front shoe
12. Bracket
13. Knob bolt
14. Carriage head bolt
15. Edge guide
16. Washer
17. Knob nut
18. Dust bag (not included)
19. Blade assembly
20. Blade guard

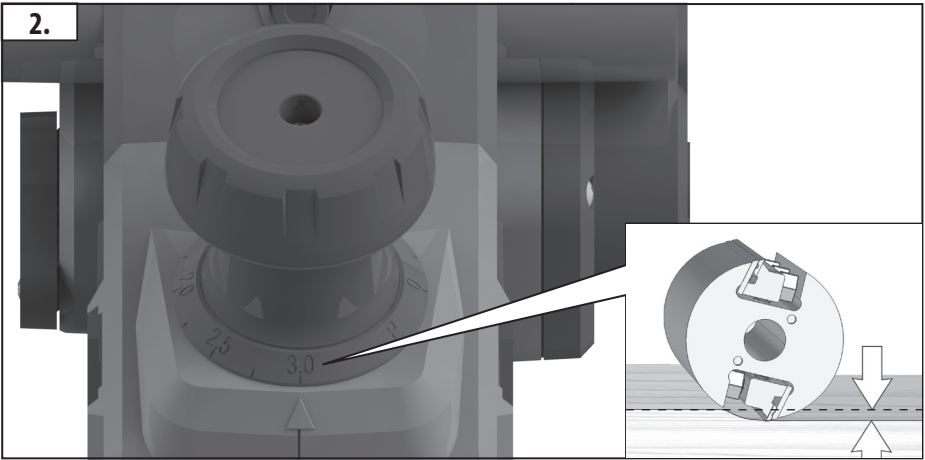
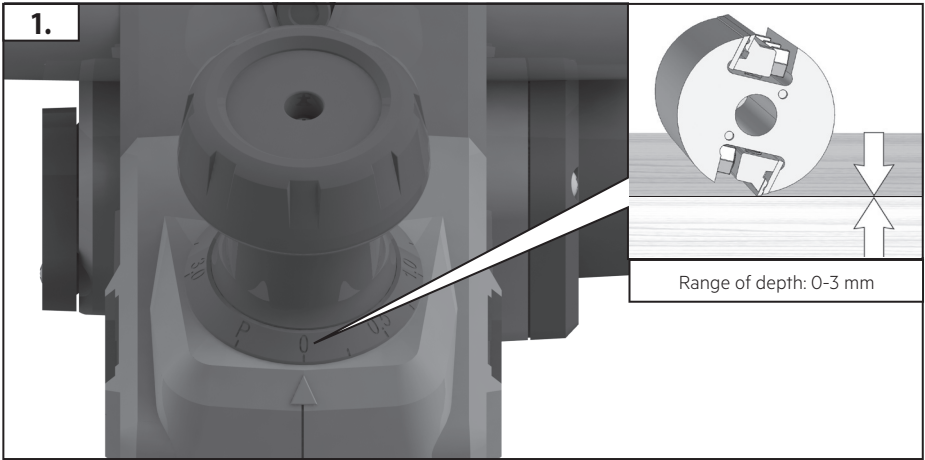
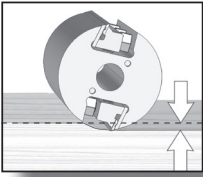


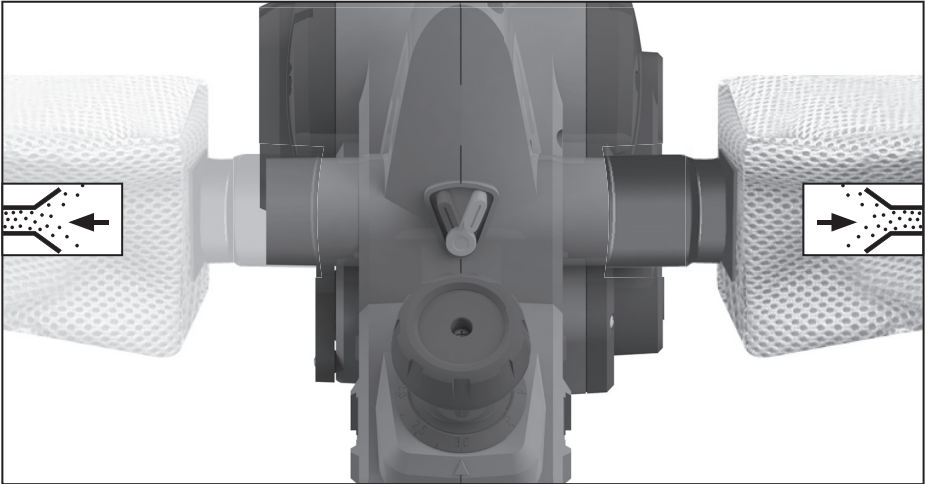
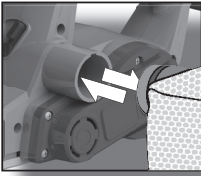


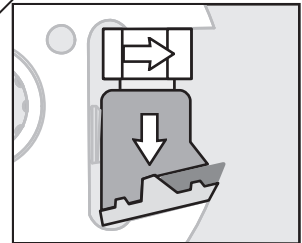
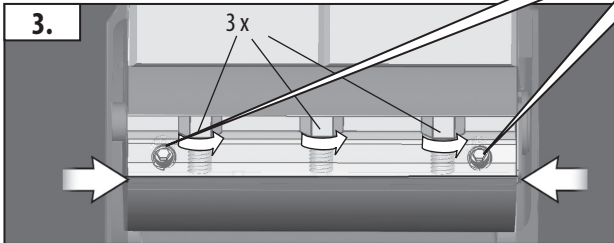
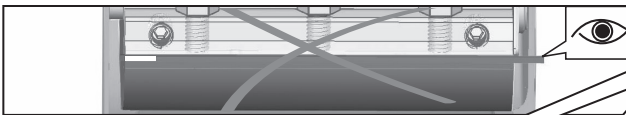
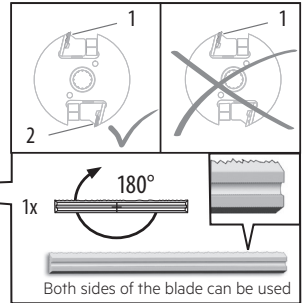
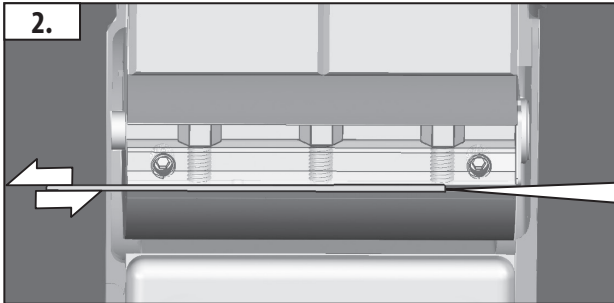
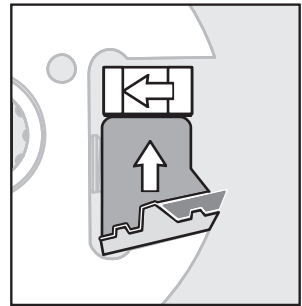
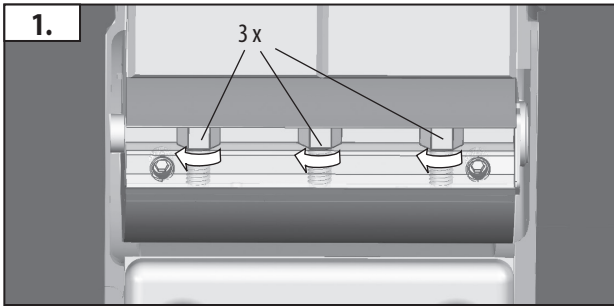
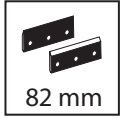
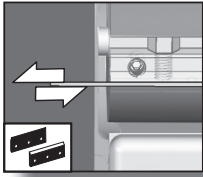


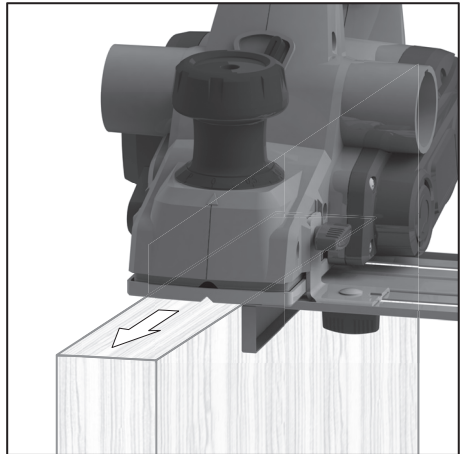
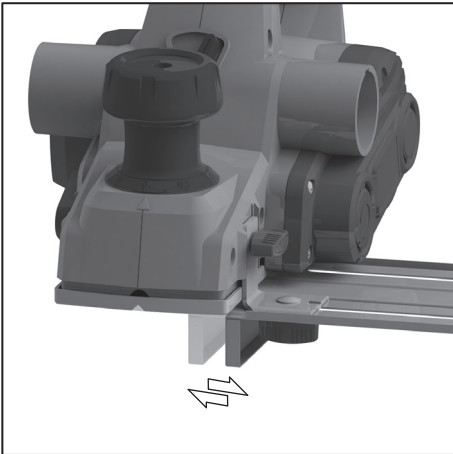
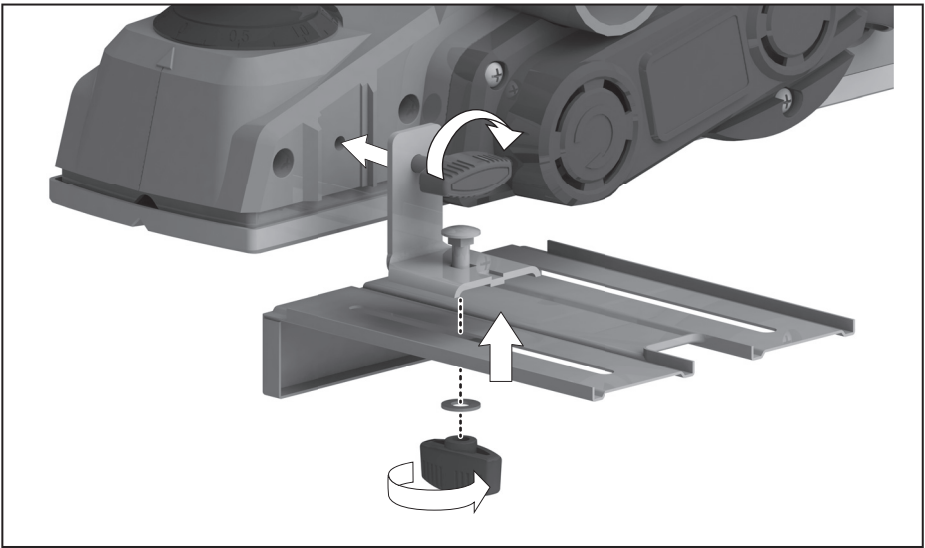
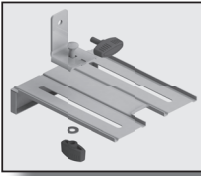
START
STOP
—

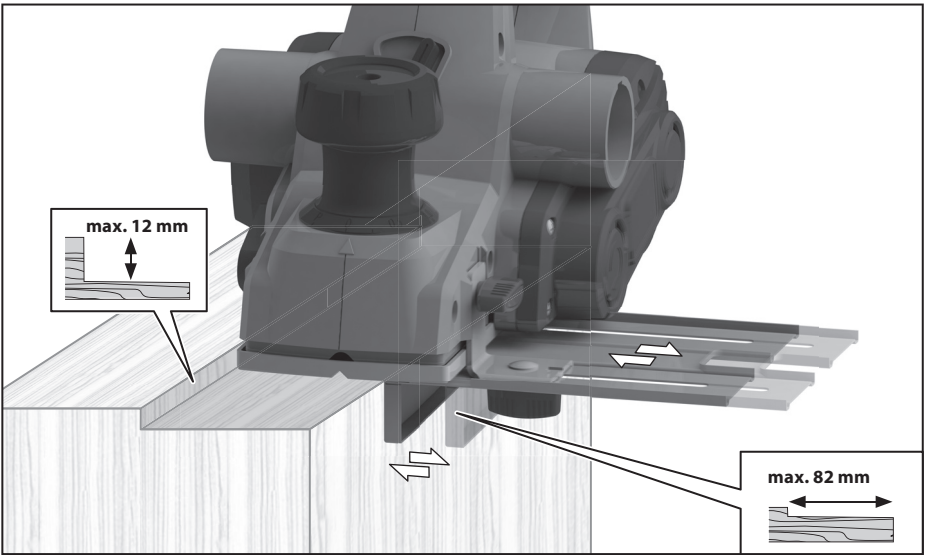
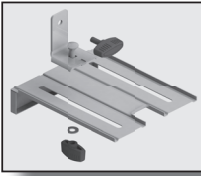


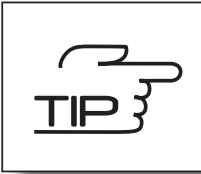




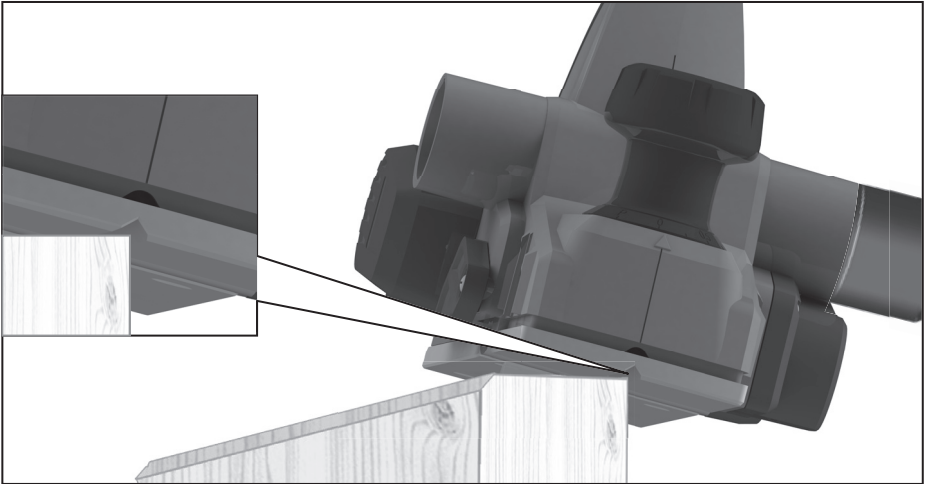
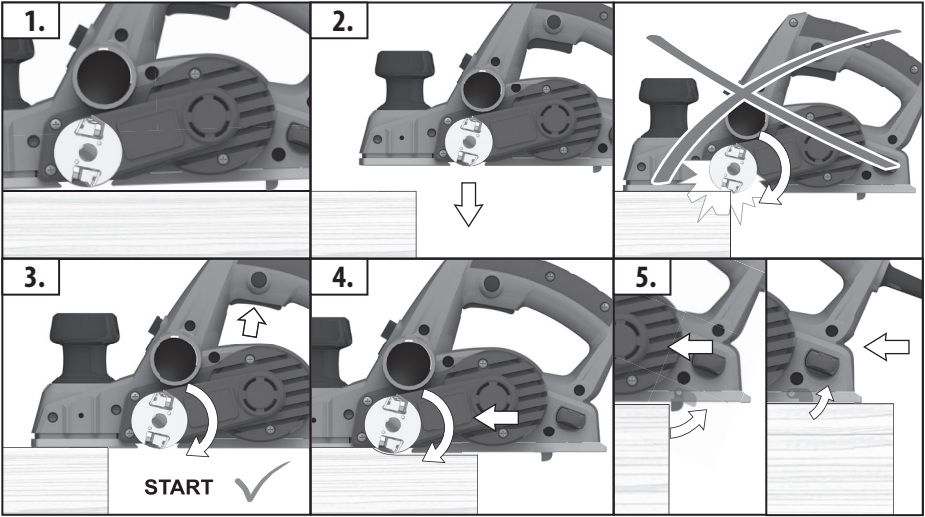








TIP
VI



TECHNICAL DATA

Planer	PL700
Rated input	700 W
Input voltage	220-240 V ~ 50 Hz
No-load speed	17000 min ⁻¹
Planing width	82 mm
Planing depth	0-3 mm
Rabbet depth	0-12 mm
Cord length	2 m
Weight according EPTA-Procedure 01/2003	2.9 kg
Noise information	
Measured values determined according to EN 62841. Typically, the A-weighted noise levels of the tool are:	
Sound pressure level (Uncertainty K= 3dB(A))	89.0 dB (A)
Sound power level (Uncertainty K= 3 dB(A))	100.0 dB (A)
Wear ear protectors!	
Vibration information	
Vibration total values (triaxial vector sum) determined according to EN 62841	
Vibration emission value ah	2.6 m/s ²
Uncertainty K=	1.5 m/s ²

WARNING!

The vibration emission level given in this information sheet has been measured in accordance with a standardised test given in EN 62841 and may be used to compare one tool with another. It may be used for a preliminary assessment of exposure.

The declared vibration emission level represents the main applications of the tool. However if the tool is used for different applications, with different accessories or poorly maintained, the vibration emission may differ. This may significantly increase the exposure level over the total working period.

An estimation of the level of exposure to vibration should also take into account the times when the tool is switched off or when it is running but not actually doing the job. This may significantly reduce the exposure level over the total working period. Identify additional safety measures to protect the operator from the effects of vibration such as: maintain the tool and the accessories, keep the hands warm, organisation of work patterns.

WARNING!

Read all safety warnings and all instructions. Failure to follow the warnings and instructions may result in electric shock, fire and/or serious injury. **Save all warnings and instructions for future reference.**

PLANNER SAFETY WARNINGS

Wait for the cutter to stop before setting the tool down. An exposed rotating cutter may engage the surface leading to possible loss of control and serious injury.

Hold the power tool by insulated gripping surfaces only, because the cutter may contact its own cord.

Cutting a "live" wire may make exposed metal parts of the power tool live and could give the operator an electric shock.

Use clamps or another practical way to secure and support the workpiece to a stable platform. Holding the work by your hand or against the body leaves it unstable and may lead to loss of control.

ADDITIONAL SAFETY AND WORKING INSTRUCTIONS

Wear ear protectors. Exposure to noise can cause hearing loss. Always use the protective shields on the machine.

Use protective equipment. Always wear safety glasses when working with the machine. The use of protective clothing is recommended, such as dust mask, protective gloves, sturdy non-slip footwear, helmet and ear defenders.

The dust produced when using this tool may be harmful to health. Do not inhale the dust. Use a dust absorption system and wear a suitable dust protection mask. Remove deposited dust thoroughly, e.g. with a vacuum cleaner.

Do not use compressed air to blow dust or debris. This practice is dangerous and can cause dirt and grit to be blasted off and injure someone's eyes.

Chips and splinters must not be removed while the product is running.

Do not drill the housing, as the protective insulation would be rendered ineffective. Use adhesive labels.

Only plane with sharp blades and avoid metal (nails, screws).

Always disconnect the plug from the socket before carrying out any work on the product.

SPECIFIED CONDITIONS OF USE

The planer can plane surfaces and rabbets, and bevel and chamfer edges.

Do not use this product in any other way as stated for normal use.

RESIDUAL RISKS

Even when the product is used as prescribed, it is still impossible to completely eliminate certain residual risk factors. The following hazards may arise and the operator should pay special attention to avoid the following:

- Injury caused by dust and debris
 - Considerable dust and debris will be produced, always connect dust bag to the product.
 - Wear eye protection at all times.
 - Wear respiratory protection masks containing filters appropriate to the materials being worked. Ensure adequate workplace ventilation.
 - Do not eat, drink or smoke in the work area.
- Injury caused by noise and vibration
 - Wear ear protection during operation. Do not operate the product for long periods of time. See "Risk reduction".
- Injury from contact with the cutting blades
 - The accessories are sharp and will become hot during use.
 - Wear gloves when changing blades.
 - Keep hands away from the cutting area at all times.

RISK REDUCTION


It has been reported that vibrations from handheld tools may contribute to a condition called Raynaud's Syndrome in certain individuals. Symptoms may include tingling, numbness and blanching of the fingers, usually apparent upon exposure to cold. Hereditary factors, exposure to cold and dampness, diet, smoking and work practices are all thought to contribute to the development of these symptoms. There are measures that can be taken by the operator to possibly reduce the effects of vibration:

Keep your body warm in cold weather. When operating the unit wear gloves to keep the hands and wrists warm. It is reported that cold weather is a major factor contributing to Raynaud's Syndrome.

After each period of operation, exercise to increase blood circulation.

Take frequent work breaks. Limit the amount of exposure per day.

If you experience any of the symptoms of this condition, immediately discontinue use and see your doctor about these symptoms.

 WARNING Injuries may be caused or aggravated by prolonged use of a tool. When using any tool for prolonged periods, ensure you take regular breaks.

WORKING INSTRUCTIONS

Never reach into the danger area of the plane when it is running.

Place the front side of the product on to the workpiece and switch on, before the planer blade touches the workpiece and then guide evenly over the workpiece.

The v-shape notch in the front of the supporting plate ensures safe chamfering of edges.

MAINS CONNECTION

Connect only to a single-phase AC current supply and only to the mains voltage specified on the rating plate. Must only be used from sockets with earth wire.

Appliances used at many different locations including wet room and open air must be connected via a residual current device (FI, RCD, PRO) of 30mA or less.

Keep mains lead clear from working range of the machine. Always lead the cable away behind you.

MAINTENANCE

The ventilation slots of the machine must be kept clear at all times.

If the power supply cord is damaged, it must be replaced only by the manufacturer or by an authorised service centre to avoid a safety hazard. Contact authorised service centre.

Important note! If the carbon brushes are worn, in addition to exchanging the brushes the tool should be sent to after-sales service. This will ensure long service life and top performance.

Use only AEG accessories and spare parts. Should components need to be replaced which have not been described, please contact one of our AEG service agents (see our list of guarantee/service addresses).

If needed, an exploded view of the tool can be ordered. Please state the machine type printed as well as the six-digit No. on the label and order the drawing at your local service agents or directly at:

Techtronic Industries Australia Pty Ltd

PO Box 1065
Mount Waverley VIC 3149
Tel. no. 1300 234 797
Australia

Techtronic Industries N.Z. Limited

PO Box 12-806
Penrose AUCKLAND 1642
Tel. no. 0800 234 797
New Zealand

SYMBOLS



Please read the instructions carefully before starting the machine.



CAUTION! WARNING! DANGER!



Always disconnect the plug from the socket before carrying out any work on the machine.



Accessory - Not included in standard equipment, available as an accessory.



Rotation direction



Do not dispose of electric tools together with household waste material. Electric tools and electronic equipment that have reached the end of their life must be collected separately and returned to an environmentally compatible recycling facility.



Class II tool. Tool in which protection against electric shock does not rely on basic insulation only, but in which additional safety precautions, such as double insulation or reinforced insulation, are provided. There being no provision for protective earthing or reliance upon installation conditions.





Regulatory Compliance Mark (RCM). Product meets applicable regulatory requirements.





AEG



www.aegpowertools.com.au
www.aegpowertools.co.nz

Techtronic Industries Australia Pty Ltd
31 Gilby Road, Mount Waverley, VIC 3149
Australia

Techtronic Industries N.Z. Limited
2 Landing Drive, Mangere
Auckland, 2022, New Zealand

*AEG is a registered trademark used under
license from AB Electrolux (publ).*

