

Remsafe Stop Lock

Sliding aluminium window restrictor



- ✓ Suitable for sliding and double hung aluminium windows with a window sill from 2 mm to 6 mm thick
- ✓ Easy 60-second DIY installation
- ✓ Complies with safety requirements under the *Strata Schemes Management Act 2015* (NSW)
- ✓ Pool safety compliant when permanent screw cap is installed.

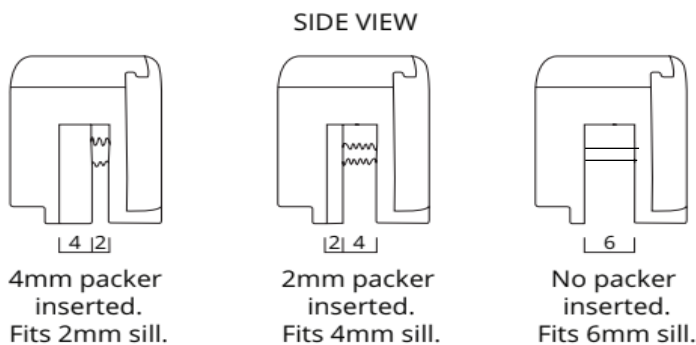
The Remsafe Stop Lock is supplied with:

- 2 x Stop Lock with removable cover plate
- 2 x 2 mm packing piece
- 2 x 4 mm packing piece
- 2 x permanent screw cap

Installation:

1. With the window in the closed position, place the Stop Lock over the window sill at the restricted position. **Maximum opening should not exceed 12 cm at any point on the window.**
2. Remove the cover plate to mark the drilling hole with a sharp pencil.
3. Remove the Stop Lock and drill a hole in the marked position using a 5 mm drill piece.
4. Replace the Stop Lock over the window sill and fit the fixing screw through the lock body. Insert the cover plate.

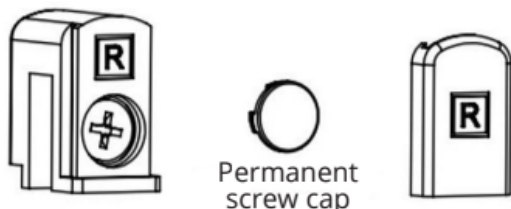
Depending on the window sill thickness a packer may be required for a secure fixing as per image below. Secure the desired packer in place by fitting the fixing screw through the hole.



For added security a second installation hole may be made and the Stop Lock installed against the window frame in the closed position.

5. For **Permanent Restriction**

To permanently restrict the window opening, insert the Permanent Screw Cap over the screw hole once the Stop Lock has been secured in place. Once inserted, the Permanent Screw Cap cannot be removed. Insert the cover plate to finish.



Remsafe Stop Lock

Sliding aluminium window restrictor



Maintenance:

The manufacturer recommends maintenance is carried out on Remsafe products by a licensed tradesman every twelve (12) months. In addition, it is recommended that regular checks (every three to six months) are carried out by the user of each window safety device at the time of operation. Repeated force on a Remsafe Window Locks safety device may lead to general wear and tear and cause screws to become loose.

Consideration must be given to the local environment and maintenance carried out accordingly.

1. All screws must be checked to ensure they have not loosened. Loose screws must be tightened.
2. All lock components must be checked for any signs of corrosion, cracking, or loss of function. Any locks showing signs of corrosion, cracking, or loss of function must be replaced immediately.
3. All components must be checked to ensure against excessive movement. Any lock showing excessive movement must be replaced immediately.
4. If a window is able to be opened greater than 120 mm at any point a licensed tradesperson should be consulted for advice on the most appropriate window restrictor device for each window.
5. Replace any Permanent Screw Cap that shows signs of corrosion, cracking, excessive movement, or loss of function. The Remsafe Permanent Screw Cap may be forcibly removed from the key barrel with the use of a tool, such as a screwdriver. Once removed, replace with a new Permanent Screw Cap immediately.

Warning: Window falls may result in injury or death. Falls from heights may still occur through windows with safety devices installed. To prevent falls from heights, climbable elements should be removed from below windows and children should be supervised around open windows.

NEVER LEAVE THE KEY UNATTENDED IN ANY REMSAFE WINDOW LOCKS PRODUCT.

Remsafe Window Locks offer safety solutions for all window types.

**Contact us for orders and enquiries on +61 2 9453 5625, email info@remsafewindowlocks.com.au
or visit www.remsafewindowlocks.com.au**