



18V LITHIUM ION

CORDLESS HEAT GUN

INSTRUCTION MANUAL

SPECIFICATIONS

Input:	18V
Power:	280W
Max. Temperature:	550°C
Max. Air Flow:	200L/min
Weight:	0.71kg

ozito.com.au



STANDARD EQUIPMENT



Cordless Heat Gun



3 x Nozzles

5 YEAR
REPLACEMENT WARRANTY

PXHGS-550

WARRANTY

IN ORDER TO MAKE A CLAIM UNDER THIS WARRANTY YOU MUST RETURN THE PRODUCT TO YOUR NEAREST BUNNINGS WAREHOUSE WITH YOUR BUNNINGS REGISTER RECEIPT. PRIOR TO RETURNING YOUR PRODUCT FOR WARRANTY PLEASE TELEPHONE OUR CUSTOMER SERVICE HELPLINE:

Australia 1800 069 486

New Zealand 0508 069 486

TO ENSURE A SPEEDY RESPONSE PLEASE HAVE THE MODEL NUMBER AND DATE OF PURCHASE AVAILABLE. A CUSTOMER SERVICE REPRESENTATIVE WILL TAKE YOUR CALL AND ANSWER ANY QUESTIONS YOU MAY HAVE RELATING TO THE WARRANTY POLICY OR PROCEDURE.

WARNING

The following actions will result in the warranty being void.

- If the tool has been operated on a supply voltage other than that specified on the tool.
- If the tool shows signs of damage or defects caused by or resulting from abuse, accidents or alterations.
- Failure to perform maintenance as set out within the instruction manual.
- If the tool is disassembled or tampered with in any way.

The benefits provided under this warranty are in addition to other rights and remedies which are available to you at law.

Our goods come with guarantees that cannot be excluded at law. You are entitled to a replacement or refund for a major failure and for compensation for any other reasonably foreseeable loss or damage. You are also entitled to have the goods repaired or replaced if the goods fail to be of acceptable quality and the failure does not amount to a major failure.

Generally you will be responsible for all costs associated with a claim under this warranty, however, where you have suffered any additional direct loss as a result of a defective product you may be able to claim such expenses by contacting our customer service helpline above.

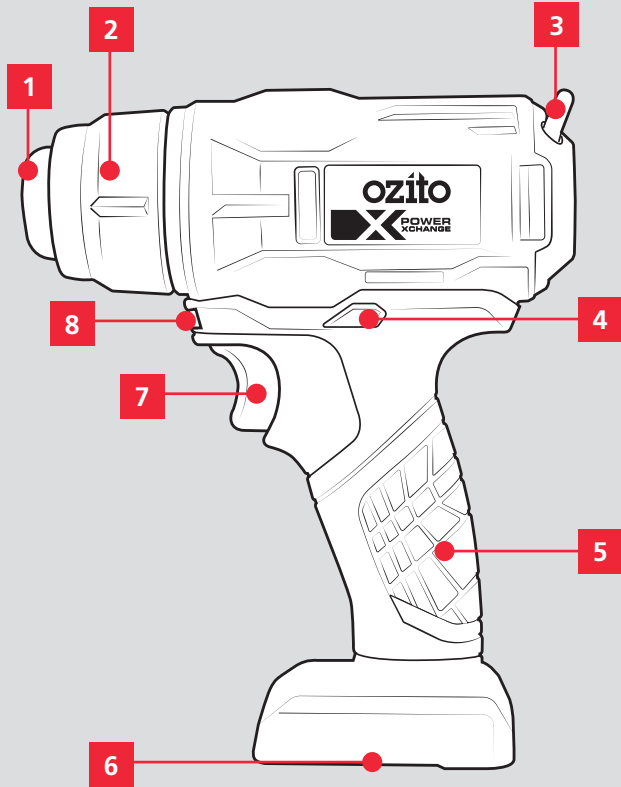
5 YEAR REPLACEMENT WARRANTY

Your Product is guaranteed for a period of 60 months from the original date of purchase and is intended for DIY (Do It Yourself) use only. If a product is defective it will be replaced in accordance with the terms of this warranty. **Lithium Ion batteries and chargers are covered by a 36 month warranty** and are excluded from the warranty extension. Warranty excludes consumable parts.

KNOW YOUR PRODUCT

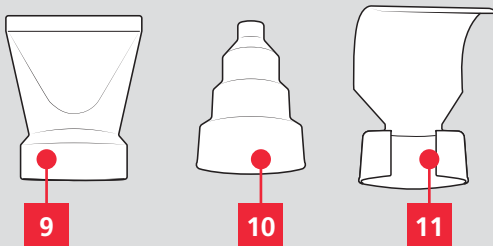
CORDLESS HEAT GUN

- 1. Nose
- 2. Nozzle Ejector Chuck
- 3. Hanging Hook
- 4. Safety Lock-Off Button
- 5. Sure Grip Handle
- 6. Battery Seating
- 7. On/Off Trigger
- 8. LED Worklight



ACCESSORIES

- 9. Flat Nozzle
- 10. Concentrator Nozzle
- 11. Reflector Nozzle



BATTERY & CHARGER

This tool is compatible with all batteries & chargers from the Ozito Power X Change range.

ONLINE MANUAL

Scan this QR Code with your mobile device to take you to the online manual.



SETUP & PREPARATION

1. NOZZLES & BATTERIES

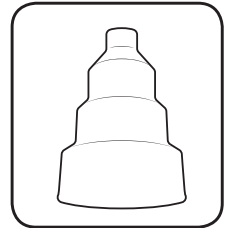


WARNING! ENSURE THE TOOL IS SWITCHED OFF AND THE BATTERY IS REMOVED BEFORE PERFORMING ANY OF THE FOLLOWING TASKS.

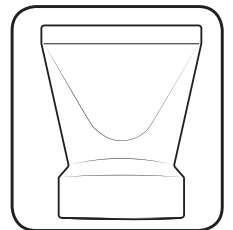
Fitting The Nozzles

The supplied nozzles can be used to suit different applications.

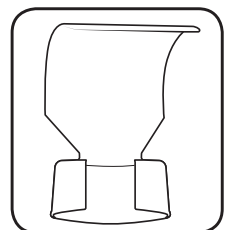
Use the concentrator nozzle for spot drying or heating concentrated areas.



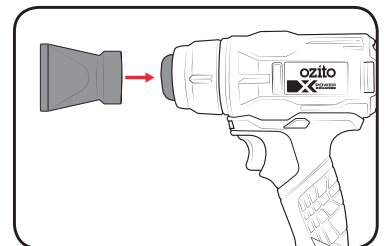
The flat nozzle can be used for heating flat, narrow sections of a worksurface.



The spoon reflector nozzle is good for providing even heating around circular profiles such as pipes and tubes.



1. To attach the nozzle, simply press it onto the nose of the heat gun.



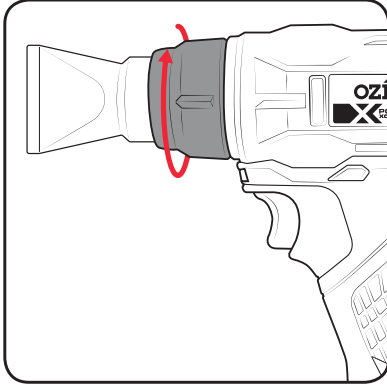
5 YEAR
REPLACEMENT WARRANTY

OPERATION

Removing The Nozzle

The nozzle ejector function allows you to swap nozzles without having to wait for it to cool.

1. To eject the nozzle, twist the chuck of the heat gun clockwise against the tool. The nozzle will pop right off.

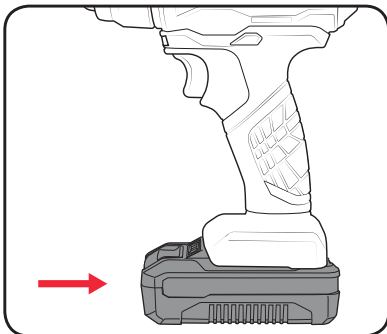


WARNING! ONLY HOLD THE PLASTIC PORTION OF THE HEAT GUN. TOUCHING THE METAL NOSE CAN CAUSE BURNS.

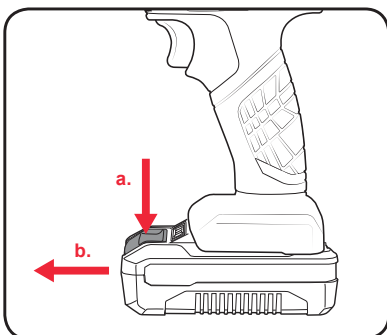
WARNING! BEWARE OF THE EJECTED NOZZLE FALLING. CONTACT WITH SKIN CAN CAUSE BURNS IF THE NOZZLE IS STILL SUFFICIENTLY HOT.

Fitting The Battery

1. Slide the battery into the tool base until it clicks into place.



2. To remove the battery, hold down the battery release button and then slide the battery out.



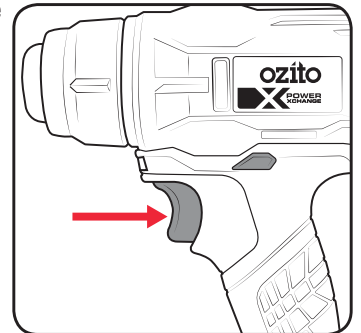
3. CONTROLS

Switching The Tool On/Off

1. Push and hold the lock-off button to either side of the tool.



2. Pull the on/off trigger to start the tool. You may now release the lock-off button.



3. Release the on/off trigger to stop the heat gun

Note: The motor will continue running for a few seconds after you release the trigger. This draws cool air over the heating elements, cooling it faster and prolonging the life of the tool.

WARNING! THIS TOOL IS DESIGNED FOR INDOOR USE ONLY. USING THIS TOOL FOR PROLONGED PERIODS MAY CAUSE IT TO OVERHEAT AND MALFUNCTION. ALLOW FREQUENT BREAKS FOR THE TOOL TO COOL DOWN DURING USE.

LED Worklight

The inbuilt LED light automatically switches on when the tool is started up.

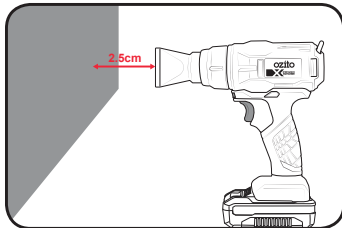


4. APPLICATIONS

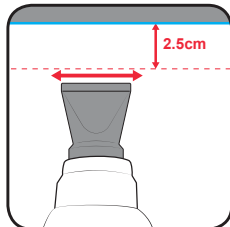
WARNING! ENSURE THAT THE METAL NOSE AND NOZZLE DO NOT COME INTO CONTACT WITH MATERIALS DURING OR AFTER OPERATION.

Paint Removal / Softening Adhesives

1. Position the nozzle 2.5cm from the surface.

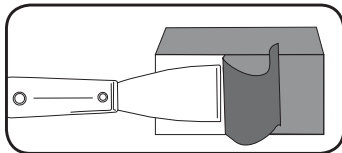


2. Move the heat gun side to side until the paint starts to blister or the wall paper begins to peel.



WARNING! DO NOT KEEP THE HEAT GUN POINTED AT ONE LOCATION FOR TOO LONG AS THIS MAY CAUSE THE PAINT TO OVERHEAT AND BURN, MAKING IT HARDER TO REMOVE.

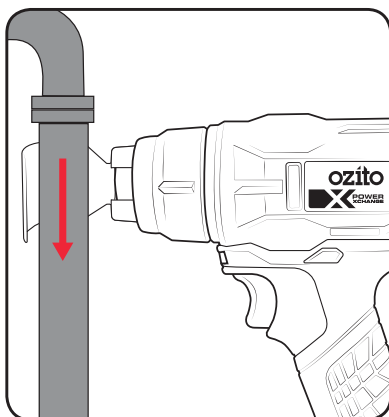
3. Use a scraper to remove the softened paint.



Defrosting Water Pipes

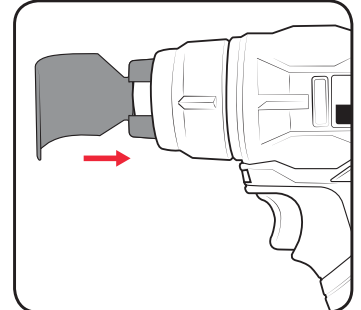
The reflector nozzle may be used for more even heating if the pipes are narrow enough to fit.

1. Heat the frozen area inwards from the outer edges towards the centre.

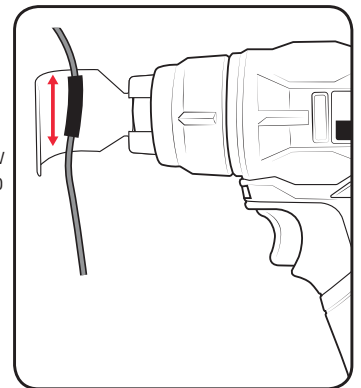


Shrink Fitting Plastics

1. Attach the reflector nozzle.



2. Slide the heat shrink tube into the desired location and place the spoon of the reflector nozzle around the wire section.

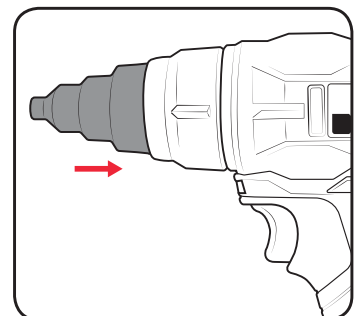


3. Switch on the heat gun and allow the plastic to heat and shrink into place.

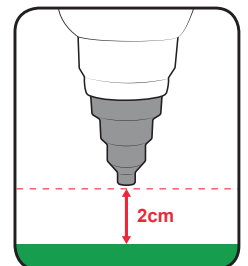
Note: Rotate the wire section if possible or move it side to side within the nozzle to avoid overheating in one spot.

Soldering

1. Attach the concentrator nozzle.



2. Hold the heat gun 2cm from the soldering site and allow it to heat up.




3. Apply solder as usual.

TROUBLESHOOTING

The heat gun is not heating up the workpiece

1. Low battery.
Charge the battery or use a larger battery.
2. Wrong accessories
Ensure that the correct accessory for the job is used.
3. Heat gun is too far from the workpiece.
Move the heat gun closer such that the nose or nozzle is positioned as per the user directions.

MAINTENANCE

 **WARNING! BEFORE CLEANING OR CARRYING OUT ANY MAINTENANCE PROCEDURE, ENSURE THAT THE BATTERIES HAVE BEEN REMOVED.**

Cleaning

- Keep the ventilation slots of the tool clean at all times to ensure efficient operation.
- After each use, blow air through the tool housing to ensure it is free from all dust, dirt, etc. Build up of dust or dirt particles may cause the tool to overheat and shorten the life of the tool.
- If the housing of the tool requires cleaning, do not use solvents. Use of a cloth only is recommended.
- Never allow any liquid to get inside the tool, never immerse any part of the tool into liquid.





Storage

 **WARNING! ONLY STORE THE TOOL AFTER ALLOWING IT TO COOL DOWN COMPLETELY.**

When not in use, the tool should be stored in a dry, frost free location, keep out of children's reach.

Note: Ozito Industries will not be responsible for any damage or injuries caused by repair of the tool by an unauthorised person or by mishandling.

DESCRIPTION OF SYMBOLS

V	Volts	W	Watts
°C	Degrees Celsius	L/min	Litres per minute
	Regulatory Compliance Mark (RCM)		Warning
		Read Instruction Manual	

CARING FOR THE ENVIRONMENT



Power tools that are no longer usable should not be disposed of with household waste but in an environmentally friendly way. Please recycle where facilities exist. Check with your local council authority for recycling advice.



Recycling packaging reduces the need for landfill and raw materials. Reuse of recycled material decreases pollution in the environment. Please recycle packaging where facilities exist. Check with your local council authority for recycling advice.

SPARE PARTS

Spare parts can be ordered from the Special Orders Desk at your local Bunnings Warehouse.


For further information, or any parts not listed here, visit www.ozito.com.au or contact Ozito Customer Service:

Australia 1800 069 486

New Zealand 0508 069 486

E-mail: enquiries@ozito.com.au

ELECTRICAL SAFETY

 **WARNING!** When using mains-powered tools, basic safety precautions, including the following, should always be followed to reduce risk of fire, electric shock, personal injury and material damage.

Read the whole manual carefully and make sure you know how to switch the tool off in an emergency, before operating the tool.

Save these instructions and other documents supplied with this tool for future reference.

The charger has been designed for 230V and 240V only. Always check that the power supply corresponds to the voltage on the rating plate.

Note: The supply of 230V and 240V on Ozito tools are interchangeable for Australia and New Zealand.

If the supply cord is damaged, it must be replaced by an electrician or a power tool repairer in order to avoid a hazard.


Using an Extension Lead

Always use an approved extension lead suitable for the power input of this tool. Before use, inspect the extension lead for signs of damage, wear and ageing. Replace the extension lead if damaged or defective.

When using an extension lead on a reel, always unwind the lead completely. Use of an extension lead not suitable for the power input of the tool or which is damaged or defective may result in a risk of fire and electric shock.

The power supply for this products charger should be protected by a residual current device (rated at 30mA or less). A residual current device reduces the risk of electric shock.

GENERAL POWER TOOL SAFETY WARNINGS

 **WARNING!** Read all safety warnings and all instructions. Failure to follow the warnings and instructions may result in electric shock, fire and/or serious injury. Save all warnings and instructions for future reference. The term "power tool" in the warnings refers to your mains-operated (corded) power tool or battery-operated (cordless) power tool.

1. Work area safety

- Keep work area clean and well lit.** Cluttered or dark areas invite accidents.
- Do not operate power tools in explosive atmospheres, such as in the presence of flammable liquids, gases or dust.** Power tools create sparks which may ignite the dust or fumes.
- Keep children and bystanders away while operating a power tool.** Distractions can cause you to lose control.

2. Electrical safety

- Power tool plugs must match the outlet.** Never modify the plug in any way. Do not use any adapter plugs with earthed (grounded) power tools. Unmodified plugs and matching outlets will reduce risk of electric shock.
- Avoid body contact with earthed or grounded surfaces, such as pipes, radiators, ranges and refrigerators.** There is an increased risk of electric shock if your body is earthed or grounded.
- Do not expose power tools to rain or wet conditions.** Water entering a power tool will increase the risk of electric shock.
- Do not abuse the cord.** Never use the cord for carrying, pulling or unplugging the power tool. Keep cord away from heat, oil, sharp edges or moving parts. Damaged or entangled cords increase the risk of electric shock.
- When operating a power tool outdoors, use an extension cord suitable for outdoor use.** Use of a cord suitable for outdoor use reduces the risk of electric shock.

3. Personal safety

- Stay alert, watch what you are doing and use common sense when operating a power tool.** Do not use a power tool while you are tired or under the influence of drugs, alcohol or medication. A moment of inattention while operating power tools may result in serious personal injury.
- Use personal protective equipment.** Always wear eye protection. Protective equipment such as dust mask, non-skid safety shoes, hard hat, or hearing protection used for appropriate conditions will reduce personal injuries.
- Prevent unintentional starting.** Ensure the switch is in the off-position before connecting to power source and/or battery pack, picking up or carrying the tool. Carrying power tools with your finger on the switch or energising power tools that have the switch on invites accidents.

- Remove any adjusting key or wrench before turning the power tool on.** A wrench or a key left attached to a rotating part of the power tool may result in personal injury.
- Do not overreach.** Keep proper footing and balance at all times. This enables better control of the power tool in unexpected situations.
- Dress properly.** Do not wear loose clothing or jewellery. Keep your hair, clothing and gloves away from moving parts. Loose clothes, jewellery or long hair can be caught in moving parts.
- If devices are provided for the connection of dust extraction and collection facilities, ensure these are connected and properly used.** Use of dust collection can reduce dust-related hazards.
- Do not let familiarity gained from frequent use of tools allow you to become complacent and ignore total safety principles.** A careless action can cause severe injury within a fraction of a second.


4. Power tool use and care

- Do not force the power tool.** Use the correct power tool for your application. The correct power tool will do the job better and safer at the rate for which it was designed.
- Do not use the power tool if the switch does not turn it on and off.** Any power tool that cannot be controlled with the switch is dangerous and must be repaired.
- Disconnect the plug from the power source and/or the battery pack from the power tool before making any adjustments, changing accessories, or storing power tools.** Such preventive safety measures reduce the risk of starting the power tool accidentally.
- Store idle power tools out of the reach of children and do not allow persons unfamiliar with the power tool or these instructions to operate the power tool.** Power tools are dangerous in the hands of untrained users.
- Maintain power tools.** Check for misalignment or binding of moving parts, breakage of parts and any other condition that may affect the power tool's operation. If damaged, have the power tool repaired before use. Many accidents are caused by poorly maintained power tools.
- Keep cutting tools sharp and clean.** Properly maintained cutting tools with sharp cutting edges are less likely to bind and are easier to control.
- Use the power tool, accessories and tool bits etc. in accordance with these instructions, taking into account the working conditions and the work to be performed.** Use of the power tool for operations different from those intended could result in a hazardous situation.
- Keep handles and grasping surfaces dry, clean and free from oil and grease.** Slippery handles and grasping surfaces do not allow for safe handling and control of the tool in unexpected situations.

5. Service

- Have your power tool serviced by a qualified repair person using only identical replacement parts.** This will ensure that the safety of the power tool is maintained.

HEAT GUN SAFETY WARNINGS

 **WARNING!** This appliance is not intended for use by persons (including children) with reduced physical, sensory or mental capabilities, or lack of experience and knowledge, unless they have been given supervision or instruction concerning use of the appliance by a person responsible for their safety.

- Only use tool as described in manual.
- The product is intended for household use only.
- The heat gun may start a fire if appropriate precautions are not taken.
- Do not obstruct quick release mechanism and keep fingers clear.
- The heat from the heat gun may reach combustible materials which you may not be able to see.
- Do not leave the heat gun unattended while it is operating.
- Keep the heat gun away from rain or water to avoid risks of fire or electric shock.
- After allowing tool to sufficiently cool, store under cover in a dry place.
- The nozzle gets extremely hot, never touch the nozzle or nose until it is sufficiently cooled. Wear gloves and eye protection.
- Do not direct the hot airflow towards yourself, people or animals.
- Never use the heat gun near flammable materials or in the presence of flammable gases.
- Never reduce the hot airflow by blocking or covering the nozzle.
- Ensure that the metal nose and nozzle does not come into contact with materials during or after operation.
- Always wear eye protection.
- When using the heat gun, do not wear loose clothing or jewellery. Wear non-slip footwear and a hair net to protect and retain hair.
- Make sure you are always well balanced when using the heat gun.
- Ensure that the heat gun is always clean, dry and free from oil or grease.
- Never force the tool or accessories, and only use them for the purpose for which they are designed.
- Never modify, lock the ON/Off Trigger in the ON position or leave tool unattended whilst turned on.
- Always keep the heat gun upright or suspend it with the hanging hook. Do not hang on person.
- Never use the heat gun in a damp or very wet area. Do not submerge heat gun in liquid (for

example: bathrooms, saunas).

- Never leave the heat gun out in the rain and do not use it on very damp days.
- Never push anything inside the hot air nozzle.
- Always allow the heat gun to cool down completely before storing it.
- Always store the heat gun in a safe place, out of the reach of children. It is not a toy.
- A fire may result if the appliance is not used with care, therefore:
 - Be careful when using the appliance in places where there are combustible materials;
 - Do not apply to the same place for a long time;
 - Do not use in the presence of an explosive atmosphere;
 - Be aware that heat may be conducted to combustible materials that are out of sight;
 - After use, allow the tool to cool down before storage;
 - Do not leave the appliance unattended when it is switched on.
- Check the area where the heat gun is to be used. Behind ceilings, floors and false ceilings may contain highly flammable material. Always check these before using the heat gun.
- When working on small or irregular shaped objects, clamp the object in a vice or clip.
- Ensure the On/Off Trigger is at the OFF position before installing the battery pack.
- Remove the battery pack from the heat gun when it is not in use. Ensure that the heat gun cannot start accidentally. If the heat gun stops while it is in use, disconnect it from the power supply and contact Ozito customer service
- Always concentrate on the job and use common sense when working with the product. Do not use the product when you are tired or taking medication that may make you drowsy.
- Never use the heat gun in combination with solvents.
- After use, remove any paint or varnish residue on the nozzle and scrapers. This could catch fire.
- Always work in a well-ventilated area. Flakes and residues of lead-based paints are highly toxic.
- Use the product only for its intended use as described in this manual.
- If the product is not working properly, has been dropped, damaged, left outdoors or dropped into water, contact Ozito customer service.
- Never direct or heat up flammable gases, liquids or substances.
- Only use in open area. Wear appropriate protective mask if applicable.
- Only use accessories included with tool.
- Do not keep the heat gun pointed at one location for too long.