



NEW

proflo[®]

THE LITTLE WATER HEATER WITH A BIG DIFFERENCE



25L

50L



Just
 670mm
high

50L
rated
delivery



The new DUX Proflo 25L & 50L Electric Range – compact, robust and small enough to fit into most cupboards.

The Dux Proflo 50L now **boasts a 670mm height**, 25mm lower than other 50L models. This makes it an easier fit into tight kitchen cupboards, even older style units, without any compromise on hot water delivery.

Visit www.dux.com.au for more information.



100
YEARS
MANUFACTURING
IN AUSTRALIA

NEW COMPACT DESIGN IS NO SMALL THING

Dux has redesigned the 50L Proflo electric water heater with compact dimensions to enable it to more easily fit into cupboards, without compromising on hot water delivery.

- Range includes 25L & 50L models
- Easy to access water connections on both sides of the tank
- Choice of popular element types
- Plug-in models available
- Attractive appliance white finish
- Full flow pressure to all outlets
- Made in a Noritz manufacturing facility
- 7 year tank warranty including 1 year full parts and labour

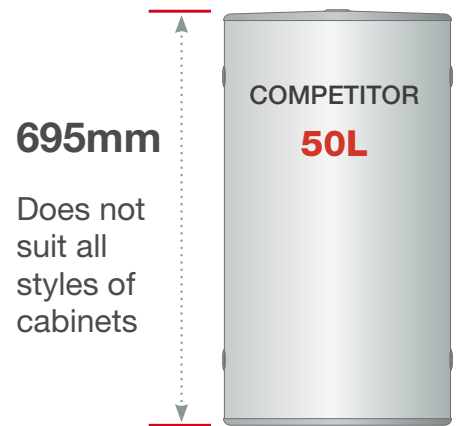
The NEW Dux Proflo 50L is an easier choice, and an easier fitment

- At 670mm high, the new Dux Proflo 50L is a handy 25mm shorter than competitor units, making it an easier fitment into tight cupboards
- The new dimensions are similar to pre-MEPS 50L dimensions, and the many older style cabinets designed around those dimensions
- Despite the more compact dimensions, the new model still delivers 50L of hot water

NEW

670mm

Better fit, including older style cabinets & full 50L delivery

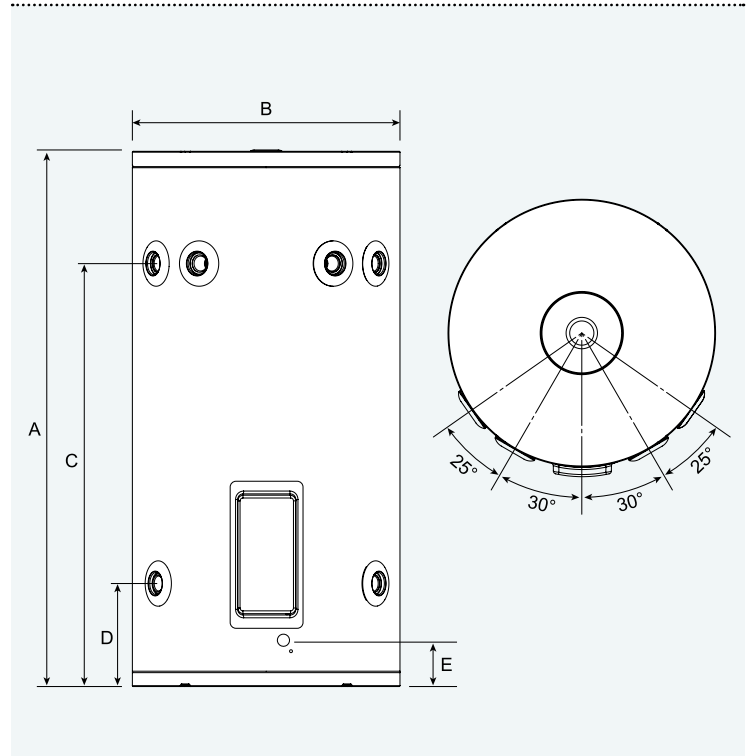


SPECIFICATIONS

	25S1	50S1
Storage Capacity (L)	31	50
Hot Water Delivery (L)	25	50
Net Weight Empty (kg)	17	23
Element Sizes (kW)	2.4, 3.6	2.4, 3.6
Relief Valve Pressure (kPa)	1000	1000
Relief Valve Temperature (°C)	99	99
Relief Valve Power Rating (kW)	10	10

TANK DIMENSIONS (MM)

	25L	50L
A Overall Height	455	670
B Overall Diameter	405	405
C Hot Water Outlet	275	490
D Cold Water Inlet	145	145
E Electrical Entry	70	70



WARRANTY

*Full warranty terms and conditions are in the product's Owners Manual. Visit www.dux.com.au/warranty-terms for full details and conditions which apply.

Sales: **1300 365 116** Service: **1300 365 115** or visit **dux.com.au** for more.

© Dux Manufacturing Limited 2018 ABN 19 077 879 844. Lackey Rd, PO Box 209 Moss Vale, NSW 2577. The information supplied was correct at time of printing. Specification and materials may change without notice. © and ™ Trademarks of Dux Manufacturing Limited.