



MIMOSA®

Cordoba White Dining Table
Installation Guide

The first part of the document discusses the importance of maintaining accurate records of all transactions. It emphasizes that every sale, purchase, and payment must be properly documented to ensure the integrity of the financial statements. This includes recording the date, amount, and purpose of each transaction, as well as the names of the parties involved.

Secondly, the document highlights the need for regular reconciliation of accounts. This process involves comparing the company's internal records with the bank statements to identify any discrepancies. By doing so, the company can catch errors early and prevent them from escalating into larger issues.

Another key aspect of financial management is the timely payment of bills and invoices. The document stresses that failing to pay suppliers and service providers on time can damage the company's reputation and lead to strained relationships. It advises the company to establish a clear payment schedule and to communicate any delays to the relevant parties as soon as possible.

Finally, the document discusses the importance of budgeting and cost control. By setting a budget for each department and tracking actual expenses against it, the company can identify areas where costs are being overspent and take corrective action. This helps to ensure that the company remains profitable and financially sound.

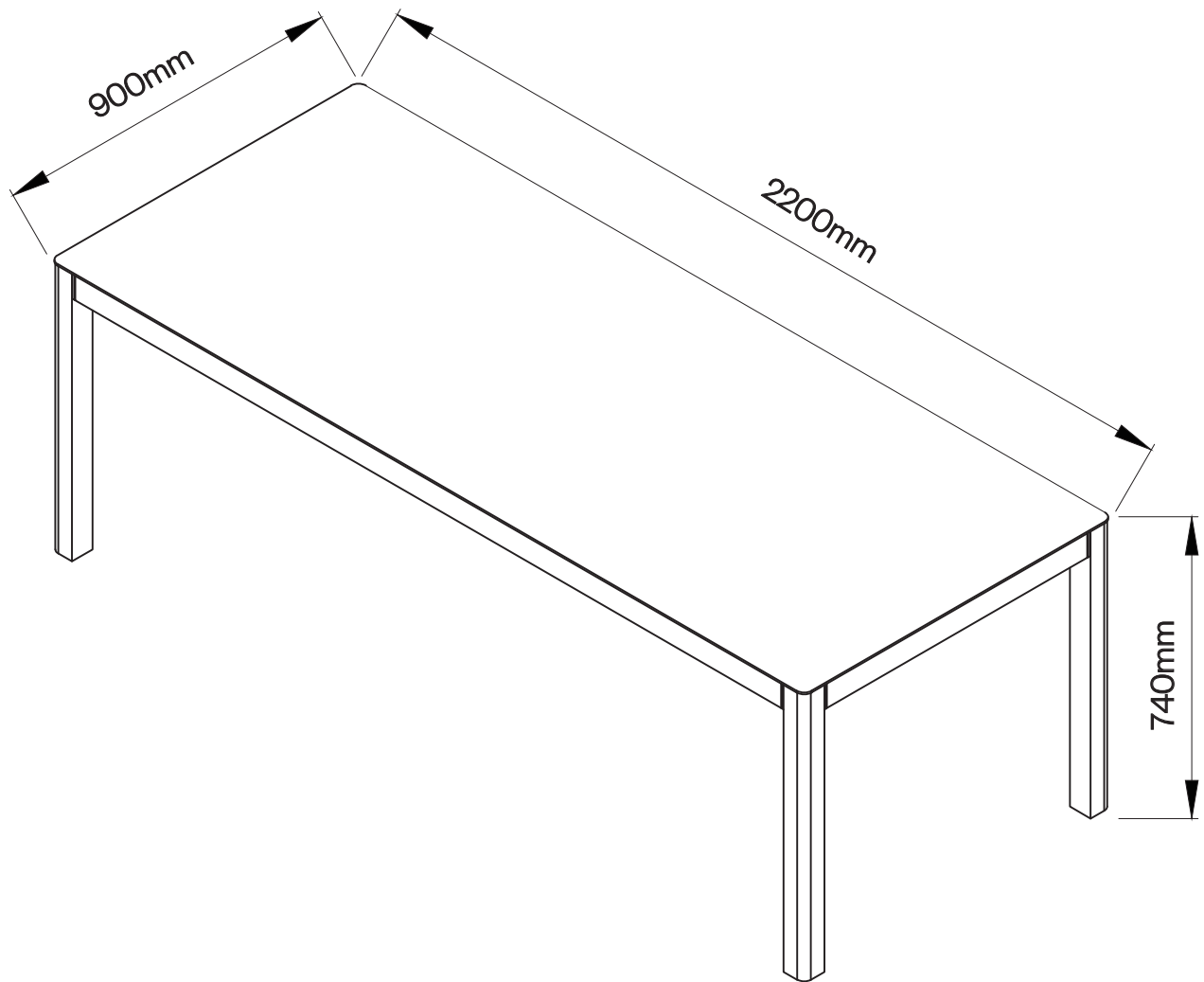
Cordoba White Dining Table

POWDER COATED ALUMINIUM FRAME

5mm Stone Look Tempered Glass Table Top

ITEM NO. : 0583707

4.





**Please carefully read the below warnings and instructions.
Save the instructions for future reference.**


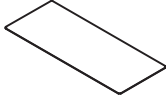

- Please carefully read all instructions before assembly and use.
- Please separate and identify all parts, ensuring that you have all parts listed.
- Assembly to be carried out by a competent adult.
- During assembly children should be kept away from the product due to possible risk of injury, small parts, and sharp fittings.
- Do NOT use power tools to assemble the product.
- Don't tight all the bolts before the product is fully assembled. Be careful not to over tighten the nuts during assembly.
- Please check the fixings are all tight monthly.

Recommendation




- It would be useful to ask someone to help you assemble the product.
- Retain these instructions for future reference.
- This product is not suitable for extreme weather conditions. Do NOT use in extreme weather condition such as thunderstorm, hailstone, heavy rain, high wind or heavy snow, etc. Warranty claims due to weather events won't be taken into account.
- This piece of furniture has been produced under the best possible conditions and care. However we advise you during constructing or breaking down of this piece of furniture to be aware of sharp metal.
- This product is designed for occasional use only. Do not use as a permanent structure. If no use for long time, dismantle and store safely to prevent any damage occurring.
- If the glass is chipped or broken, stop using the product and consult the manufacturer or supplier.
- Do not place very hot or very cold items on the glass surface(s) unless adequately thick table mats are used to prevent such items from coming into contact with the glass.
- Do not use the glass as a chopping surface. Do not strike the glass with hard or pointed items.
- When cleaning glass panels use a damp cloth or leather with washing up liquid or soft soap if necessary; do not use washing powders or any other substances containing abrasives since these substances scratch glass.
- When using a plastic cover on your furniture, you will need to put an extra cotton medium between this cover and the glass surface. Direct contact between some plastics and the surface of the glass may lead to permanent damage of the table under moist and hot conditions.
- Do not sit or stand upon the glass surface(s).

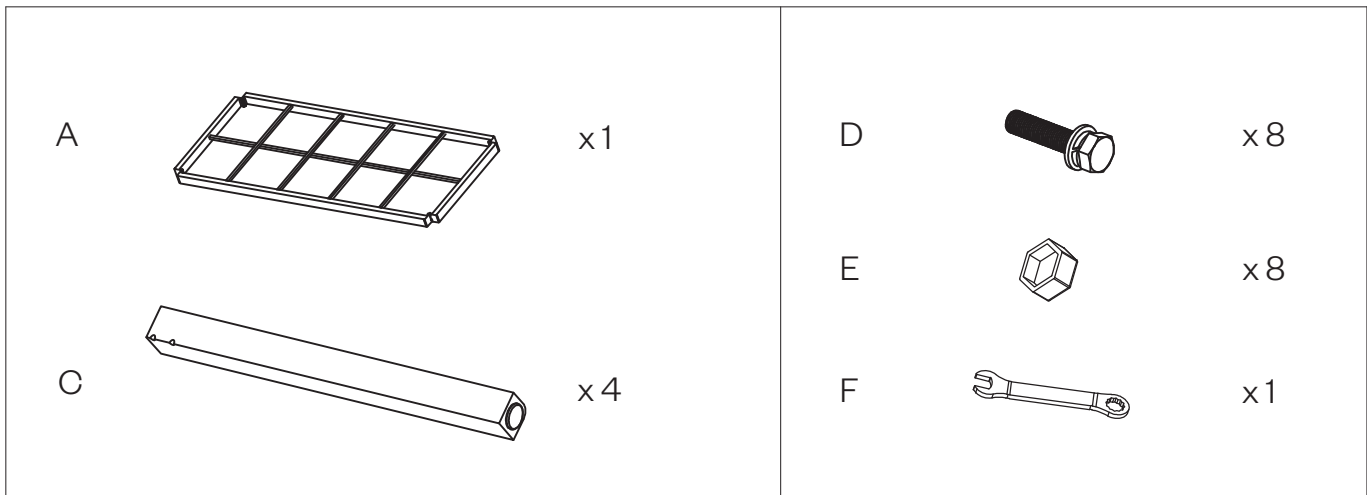
6.

Parts List:

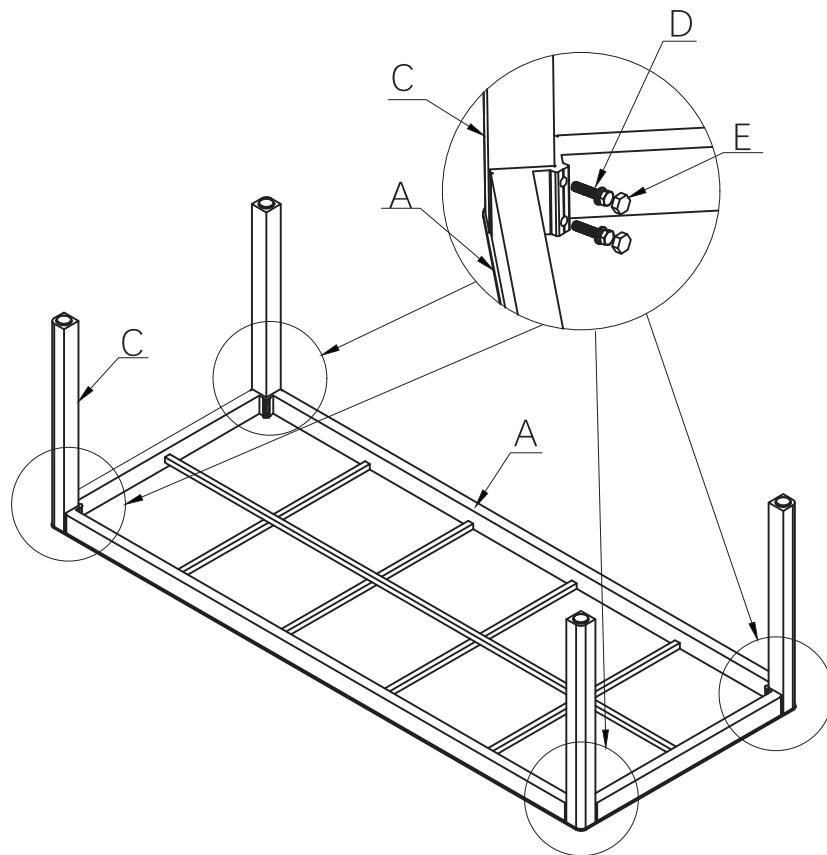
| Part No. | Pictures | Description | QTY |
|-----------------|--|--------------------|------------|
| A |  | Table-rack | 1 |
| B |  | Glass table top | 1 |
| C |  | Table leg | 4 |

Hardware Kit:

| Part No. | Pictures | Description | QTY |
|-----------------|---|--------------------|------------|
| D |  | Bolt M8 x 35 mm | 8 |
| E |  | Cap | 8 |
| F |  | Spanner | 1 |

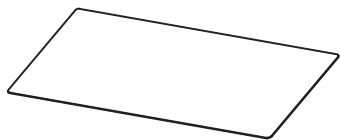
**Step 1:**

Put 4pcs table legs (C) on corner of the table-rack (A), then insert bolts (D) to the holes, after tightened by the spanner (F), then put plastic caps (E) on the bolts (D).



8.

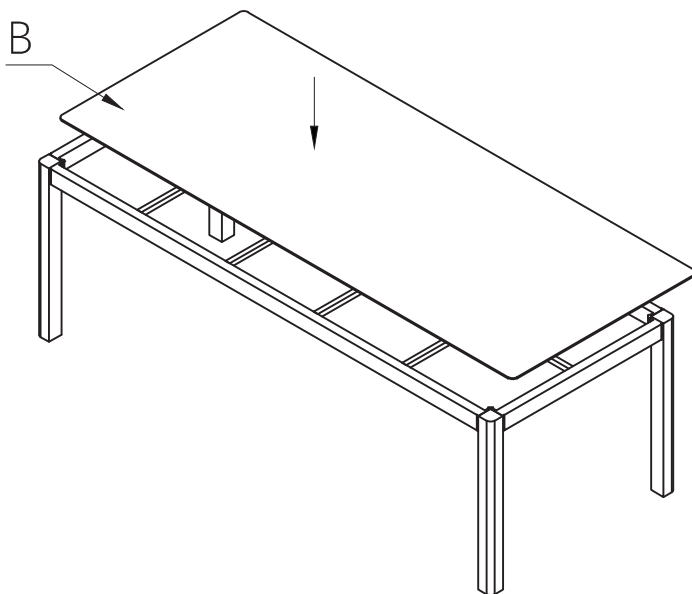
B



x1

Step 2:

Put the glass table top (B) on the table-rack (A).



Dining table is now ready for use.

