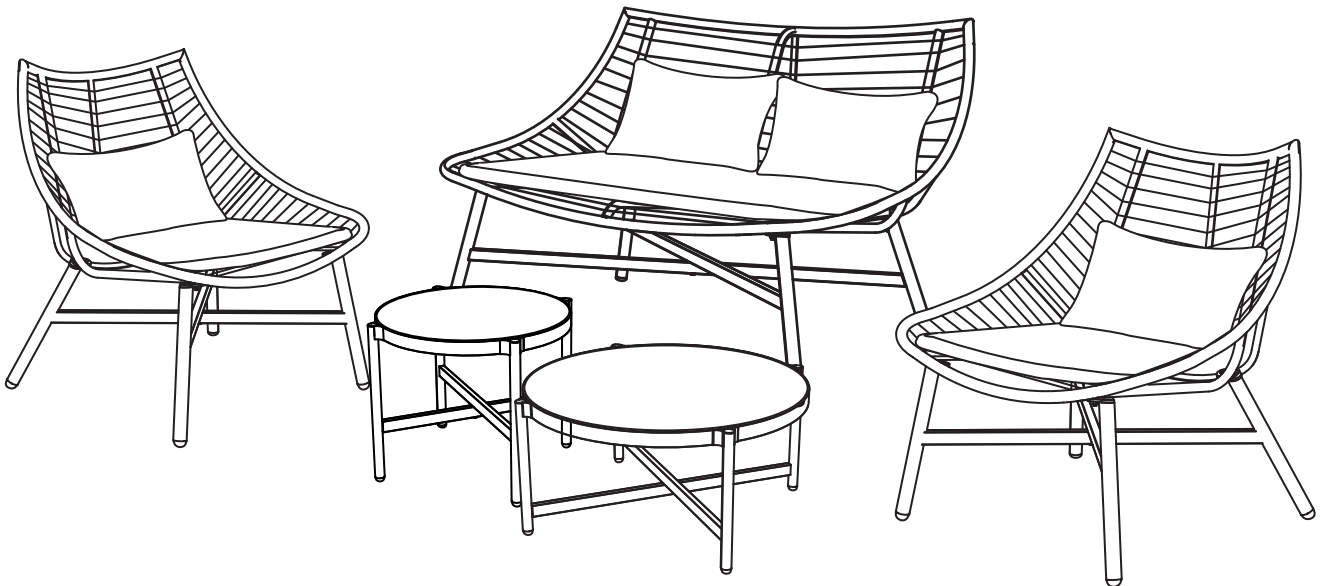


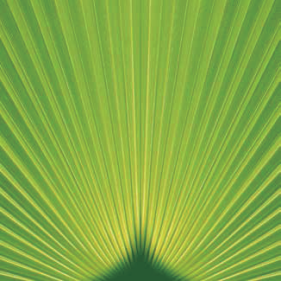
# RATTAN ALUMINUM HELSINKI 5PC SETTING ASSEMBLY INSTRUCTIONS

Item No. 0352947 / 0352948

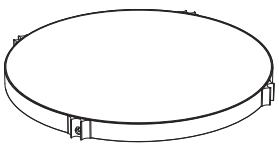
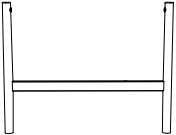



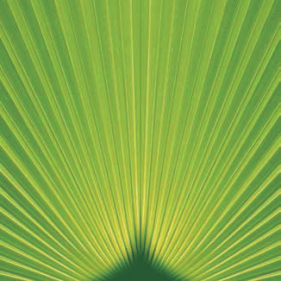
## **READ & SAVE BELOW INSTRUCTIONS BEFORE ASSEMBLY**

1. PLEASE SEPARATE AND IDENTIFY ALL PARTS, MAKING SURE THAT YOU HAVE ALL OF THE PARTS LISTED.
2. TO AVOID ANY SCRATCHES DURING ASSEMBLY, ASSEMBLE ON A SOFT MAT OR SIMILAR.
3. ASSEMBLE STEP BY STEP FOLLOWING THE INSTRUCTIONS.
4. WASHERS MUST BE USED.
5. DURING ASSEMBLY DO NOT OVER FASTEN SCREWS & NUTS.
6. DO NOT COMPLETELY TIGHTEN EACH SCREW AND NUT UNTIL THEY ARE ALL FIXED IN PLACE.



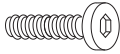
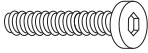


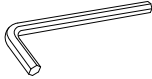
### PARTS LIST

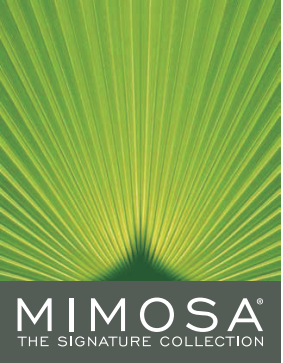
CODE	PARTS	QTY.
#1	 Table Rim	1PC
#2	 Leg	1PC
#3	 Leg	1PC



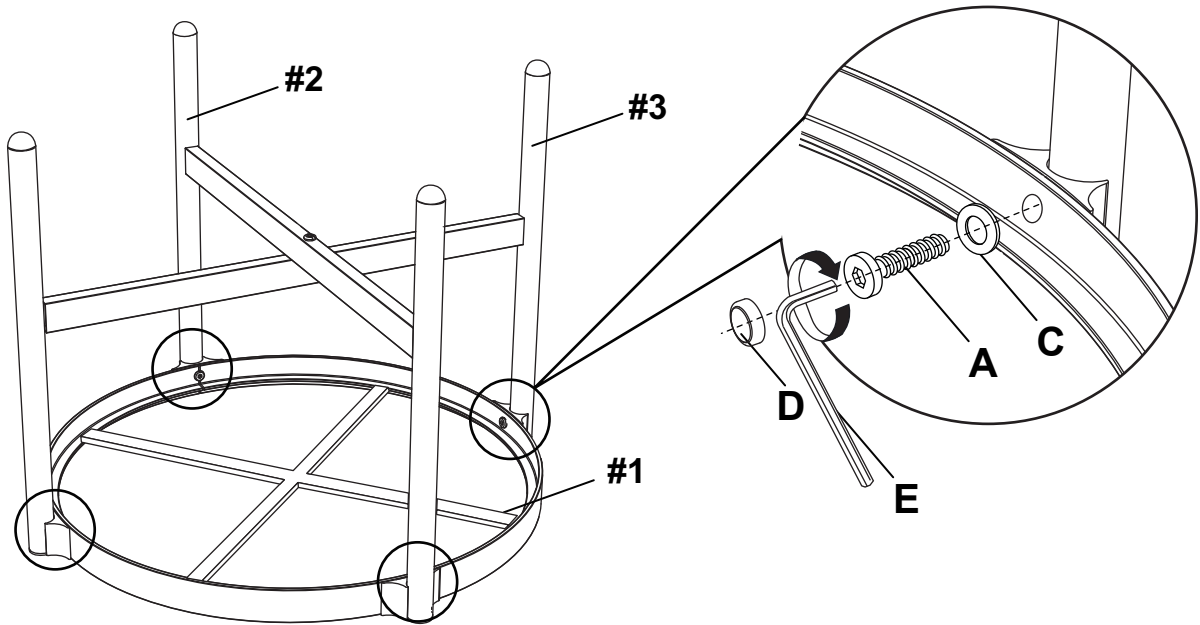
**MIMOSA**  
THE SIGNATURE COLLECTION

### HARDWARE LIST

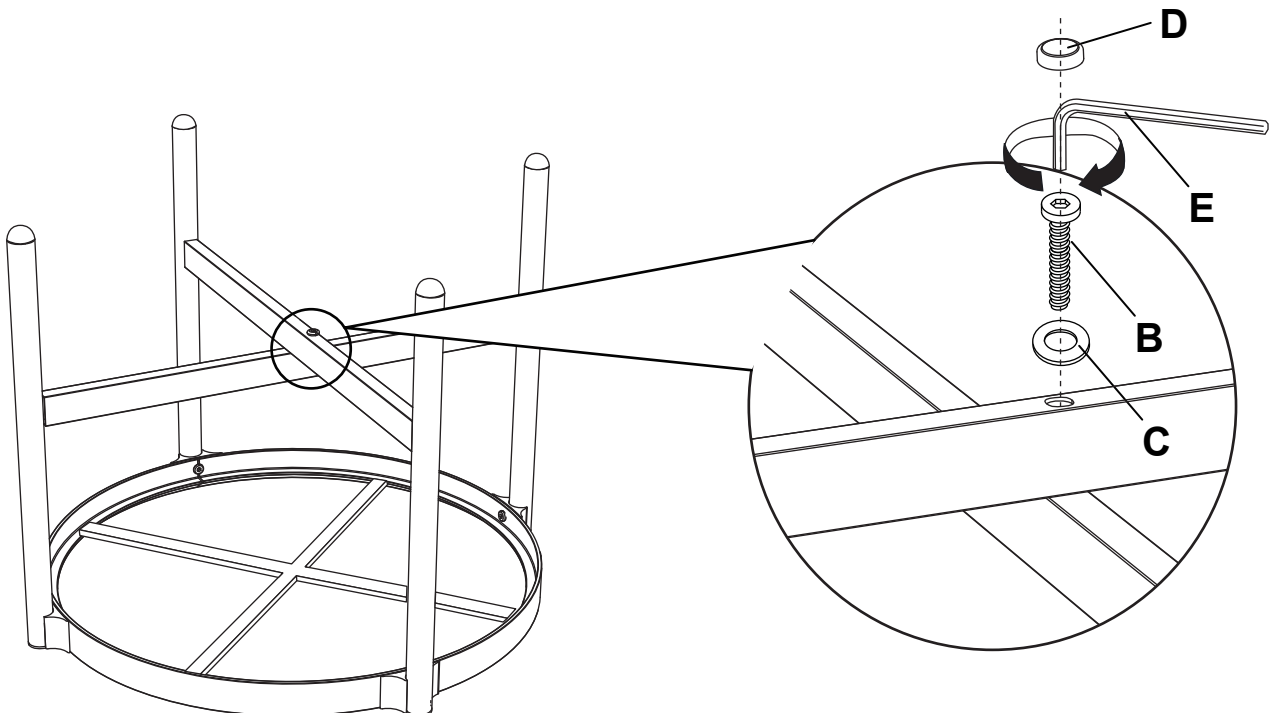
CODE	PARTS	QTY.
<b>A</b>	 Bolts	4PCS
<b>B</b>	 Bolt	1PC
<b>C</b>	 Washer	5PCS
<b>D</b>	 Cap	5PCS
<b>E</b>	 Allen Key	1PC



- 1 Use Allen Key (E) to fix table legs (#2&#3) to table rim (#1) with bolt (A) and washer (C). Cover with cap (D).

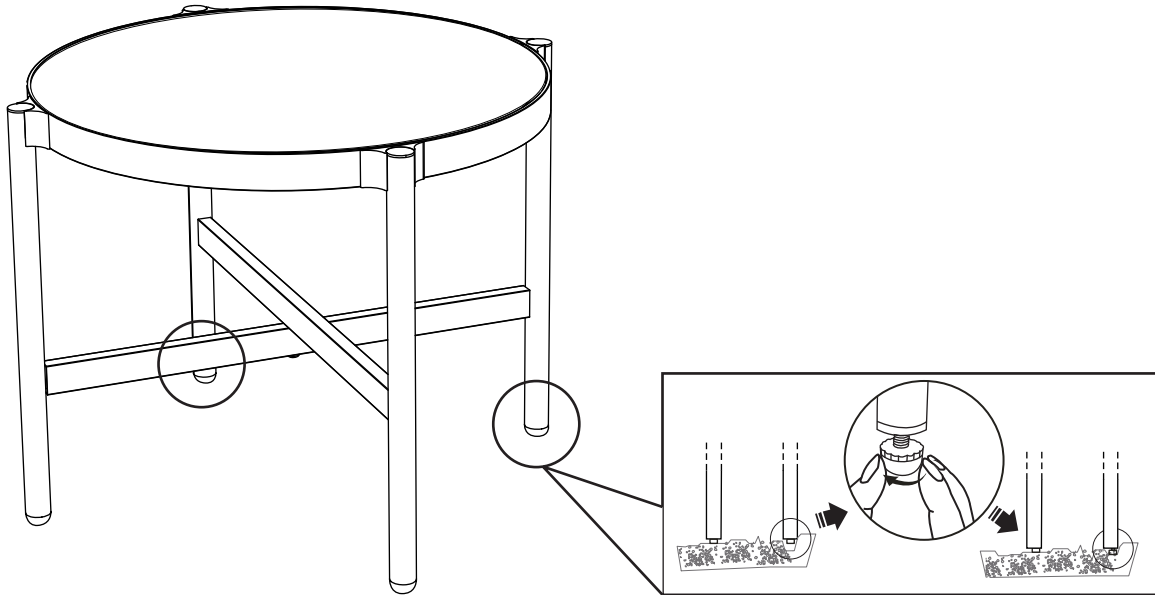


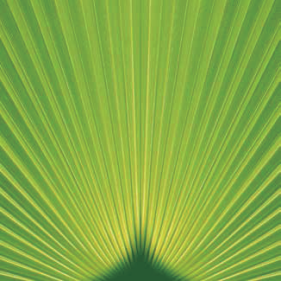
- 2 Use Allen Key (E) to fix table legs (#2&#3) together with bolt (B) and washer (C). Cover with cap (D).



- 3 Turn coffee table upside down and your table is ready to use.

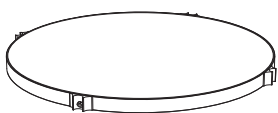
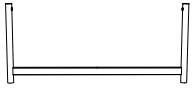
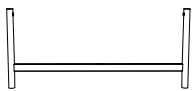
MIMOSA®  
THE SIGNATURE COLLECTION

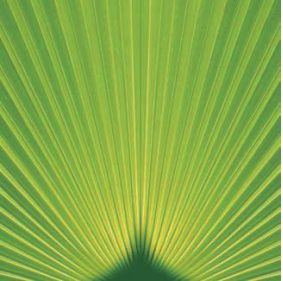




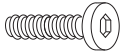
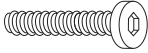


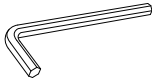
**MIMOSA**  
THE SIGNATURE COLLECTION

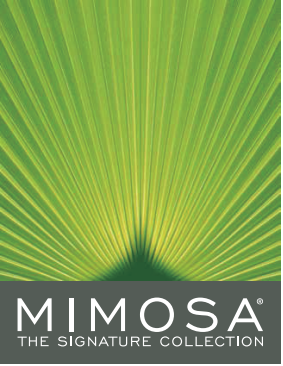
### PARTS LIST

CODE	PARTS	QTY.
#1	 Table top	1PC
#2	 Leg	1PC
#3	 Leg	1PC

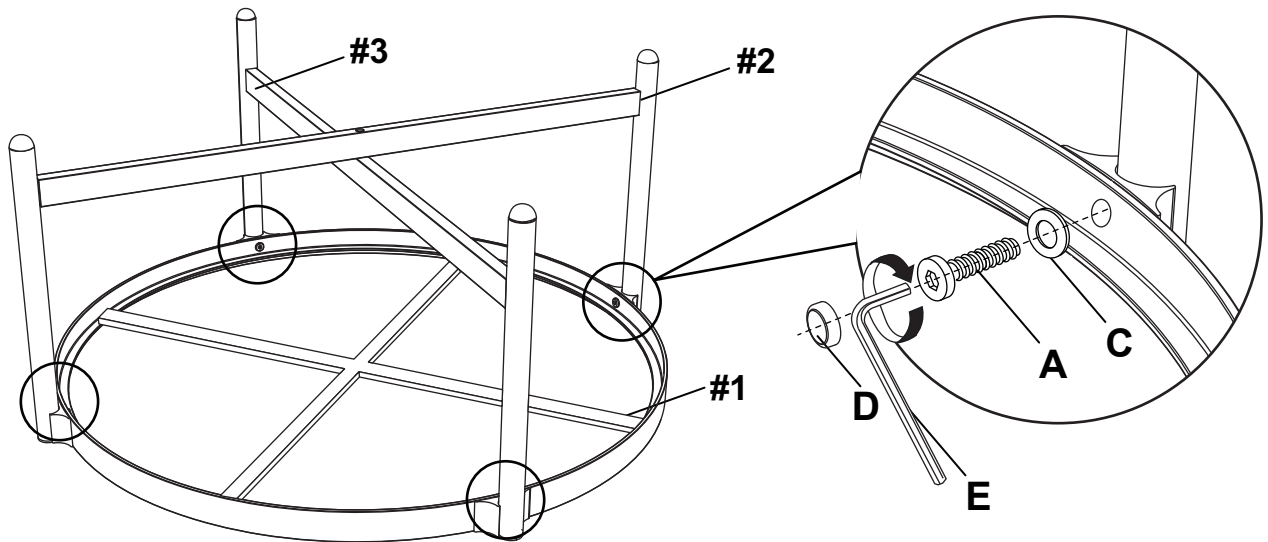


### HARDWARE LIST

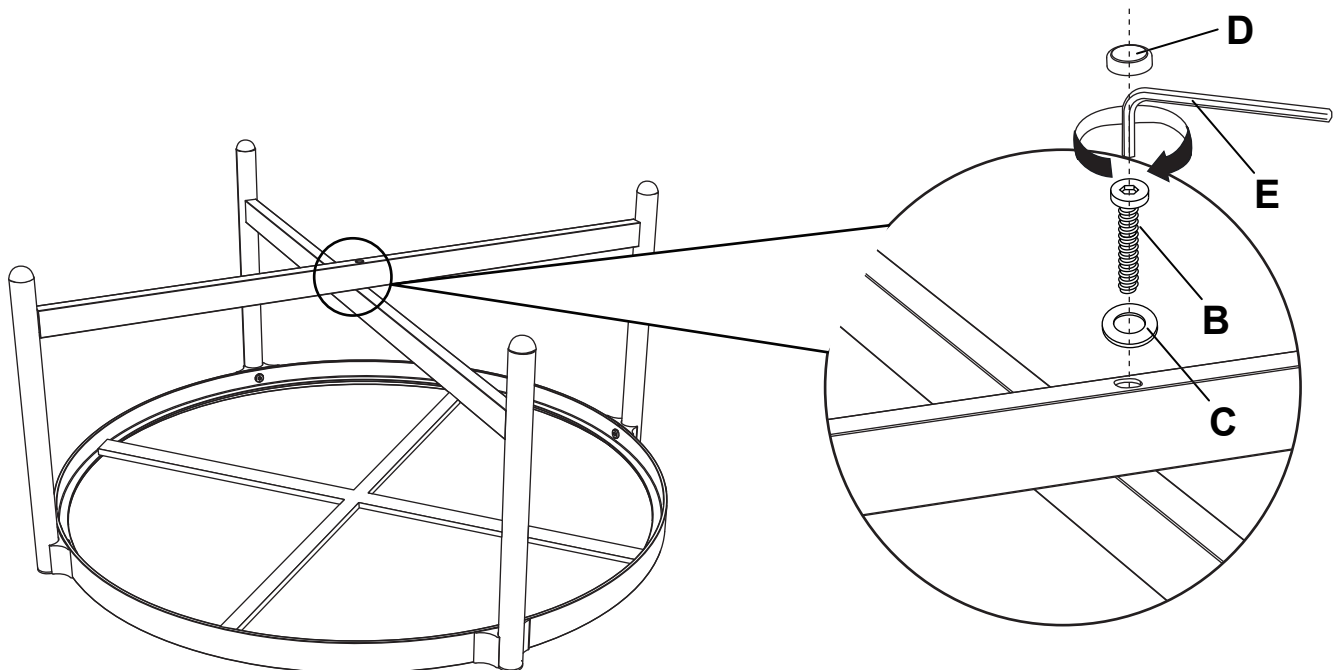
CODE	PARTS	QTY.
<b>A</b>	 Bolts	4PCS
<b>B</b>	 Bolts	1PC
<b>C</b>	 Washer	5PCS
<b>D</b>	 Cap	5PCS
<b>E</b>	 Allen Key	1PC



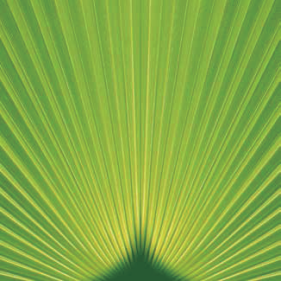
- 1 Use Allen Key (E) to fix table legs (#2&#3) to table top (#1) with bolt (A) and washer (C). Cover with cap (D).



- 2 Use Allen Key (E) to fix table legs (#2&#3) together with bolt (B) and washer (C). Cover with cap (D).







3 Turn coffee table upside down and your table is ready to use.

MIMOSA®  
THE SIGNATURE COLLECTION

