



**Let us help you**  
Scan QR code for  
**Installation video** and  
view on our **website**  
[swingslideclimb.com.au/how-to/](http://swingslideclimb.com.au/how-to/)

# CUCKOO Cubby House



**Quality  
Timber**  
Made For Australian  
Conditions



**Paintable**

**3+**

**Years**



**UV Stabilised**  
Slide



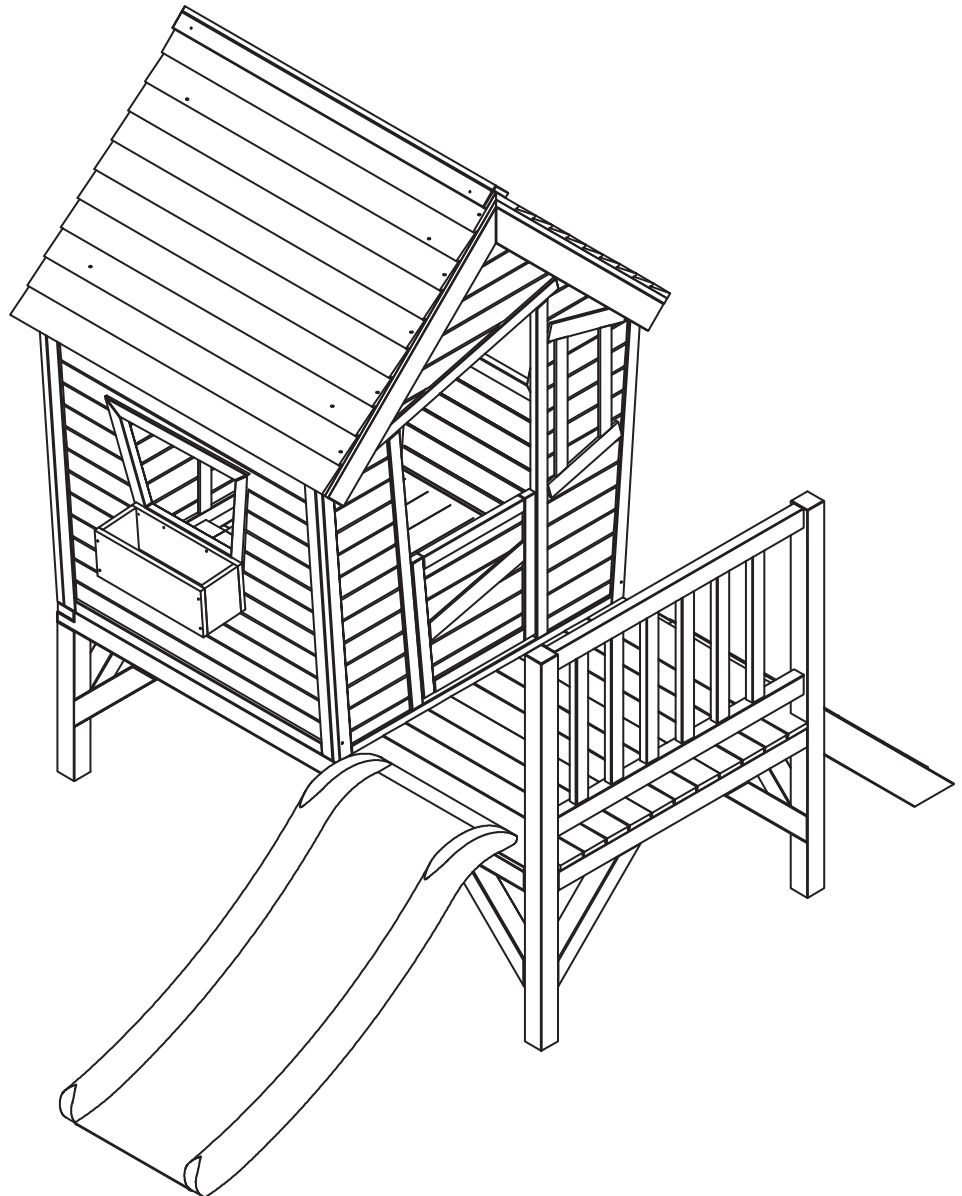
**Verandah**  
with Balcony



**Slide**  
1.2m



**Flower Pot+**



WARNING. ONLY FOR DOMESTIC OUTDOOR USE.  
THIS PLAYSET SATISFIES ALL THE REQUIREMENTS OF THE AUSTRALIAN STANDARD AS/NZS ISO 8124 AND  
HAS BEEN CERTIFIED BY AN INDEPENDENT LABORATORY. TO GUARANTEE SAFETY. PLEASE GIVE SPECIAL  
ATTENTION TO THE ASSEMBLY, SAFETY AND CARE INSTRUCTIONS DETAILED IN THIS DOCUMENT.

## The Cuckoo House (TCH012)

Thank you for purchasing The Cuckoo Cubby House (TCH012).

**Warning: Only for domestic outdoor use.**

**PLEASE READ THESE INSTRUCTIONS CAREFULLY.**

This cubby satisfies all the requirements of the Australian Standard AS/NZ ISO 8124 and has been certified by an independent laboratory. To guarantee Safety, please give special attention to the assembly, safety and care instructions detailed in this document.

- This product must be assembled by adults.

- Once assembly has been completed, keep the instructions in a safe place for future reference. This can be particularly handy for identification of parts if after sales service is required.

### PRE ASSEMBLY :

- Before commencing assembly, use parts list as a checklist to ensure that none of the parts are missing. If you find that you are missing a part, please contact our after sales service department.

- Retain extra parts to use as spares in the future if necessary.

- **PRE-DRILL TIMBER** before fixing with screws to avoid cracks in the timber.

The dimensions given in the instructions are indicative only, they may vary according to the assembly method.

### SAFETY ADVICE :

- Warning: This product is only to be used by children between the ages of 3 and 12.

- Warning: Choking hazard-small parts can be dangerous for children.

- Warning: This play set must be used under adult supervision.

- This product is for private use at home only. Under no circumstances is it to be used in parks, schools, camp sites, hotels, public leisure areas etc.

- The Cuckoo Cubby should be set up on a flat surface and 2 meters away from any structures or obstacles (walls, fences, trees, washing lines, cables etc.)

- The Cuckoo Cubby House should be installed over impact absorbing surfaces such as sand, wood-bark chips, rubber and foam and must NOT be set up on a hard surface (concrete, tarmac, etc.) For detailed information about surfaces please refer to the attached consumer, information sheet.

- Please note this is a natural product and as such should be checked for any rough surfaces before use, if required these should be lightly sanded in order to prevent injury.

- Dispose of packaging thoughtfully.

- Do not allow children to play with packaging.

**CAUTION! This product includes timber and/or fabric . PLEASE KEEP AWAY FROM FIRE.**

**IMPORTANT! Wait until the concrete is set before using and check anchorages regularly.**

### MAINTENANCE :

- All parts should be checked at least once a month.

- Check all screws for tightness and tighten when required.

- The ground on which the play center is set up should be cleared regularly. All objects such as stones or anything else could cause injury in the case of fall should be removed.

- It is recommended that during the winter period when the equipment is not in use, all apparatus are removed to prevent deterioration due to bad weather.

- Modifications to the original activity toy should only be carried out under instructions from the manufacturer.

- Defective parts should only be replaced in accordance with the manufacturer's instruction.

- As timber is a natural product, it will deteriorate in the weather over time. For maximum longevity of your timber, it is highly recommended to apply an initial 3 coats of a timber protectant such as paint, lacquer or an exterior grade oil before first use of the play set.

### TIMBER CARE :

As timber is a natural product, it will deteriorate in the weather over time. For maximum longevity of your timber, it is highly recommended to apply an initial 3 coats of a timber protectant such as paint, lacquer or an exterior grade oil before first use of the play set.

Minor twisting, warping, cracking and any other natural occurring property of wood will occur. PLEASE NOTE: These occurrences are cosmetic and will not affect the strength or integrity of the product, if you have any concerns or queries please contact the after sales service for further assistance.

At regular intervals, the application of a penetrating oil based sealer stain to all wooden components is essential. Please consult your local hardware or home improvement store for recommendation of an appropriate product.

All outdoor wooden products require routine inspection and regular maintenance. After installation, a follow-up inspection should take place after one week and twice a month thereafter for the remaining life of your play products.

Maintenance should be performed at any time it is deemed necessary. As a general rule, major maintenance (wood refinishing) should be performed at six month intervals from the date of installation. Inspect and performance based on the following checklist.

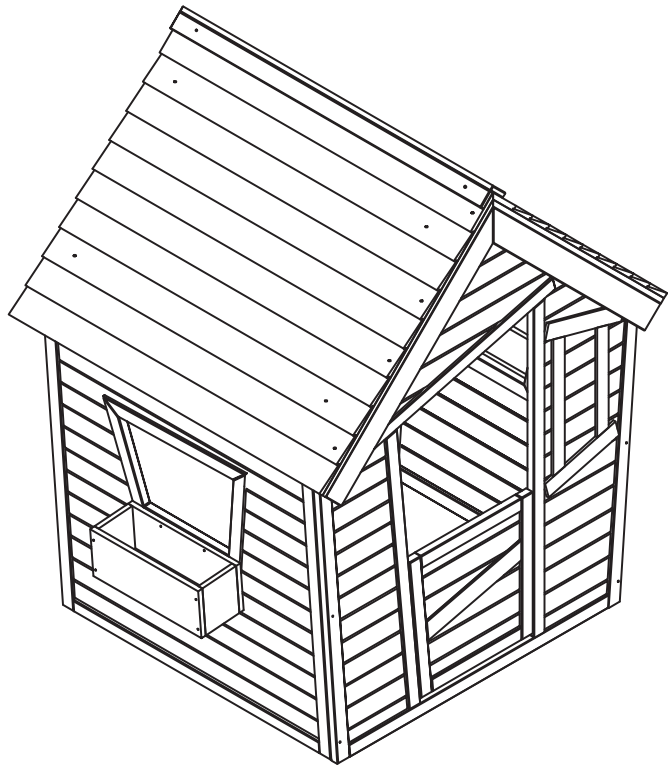
Major wooden parts: Inspect for splintering and structure defects at regular intervals. For very minor splinters or chipping, lightly sanding and refinish with an exterior water repellent stain can assist. If timber has cracked or split significantly, replacement parts may be required, please contact our customer service centre for any replacement requirements.

**IMPORTANT: If living in an area prone to termites, please ensure any timber is treated with termite protection. Please keep receipts as proof of purchase of the termite protection product used on this set.**

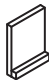



Ensure the product does not contain hazardous chemicals once dry that can pose a potential health risk to children.

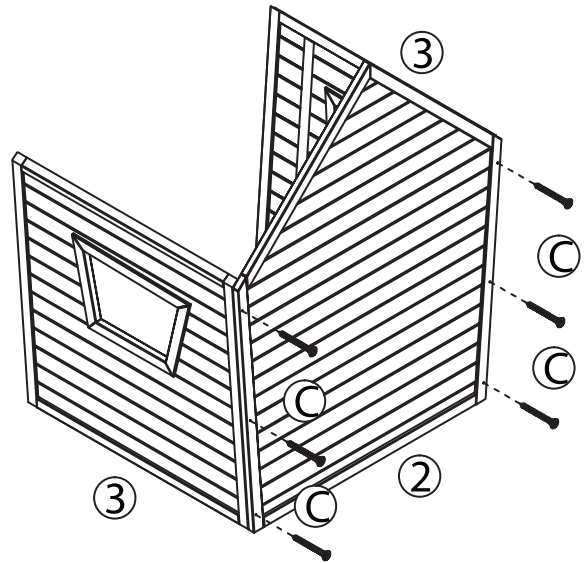
**We hope you have a safe and enjoyable time using the Cuckoo Cubby House.**

**After Sales Service: (03) 9786 0055**

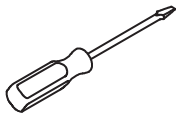


1		1PC	4		2PCS
2		1PC	5		2PCS
3		2PCS	6		1PC
			7		2PCS
			8		2PCS
			9		2PCS

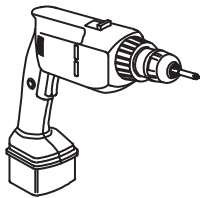
10		4PCS	<b>1</b> M3.5x45mm=6PCS
A	 M3x30mm	32PCS	
B	 M3.5x35mm	8PCS	
C	 M3.5x45mm	12PCS	



**TOOLS REQUIRED**

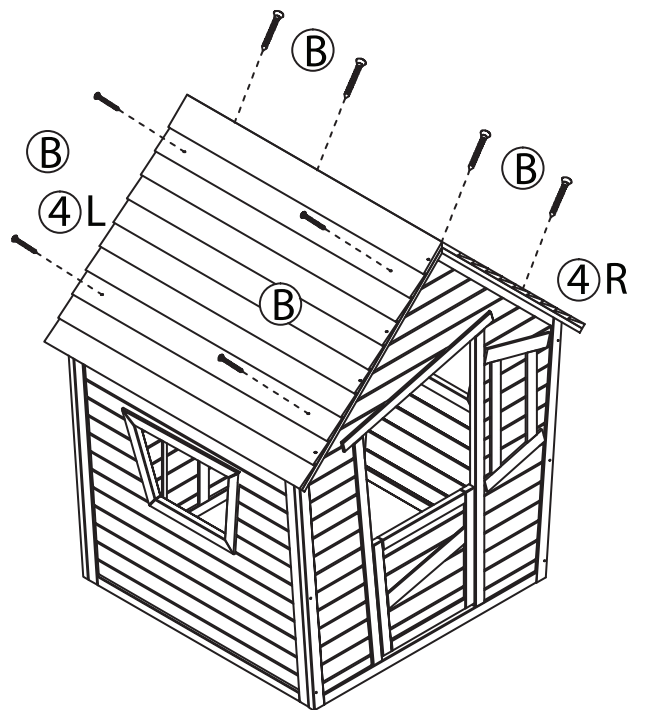
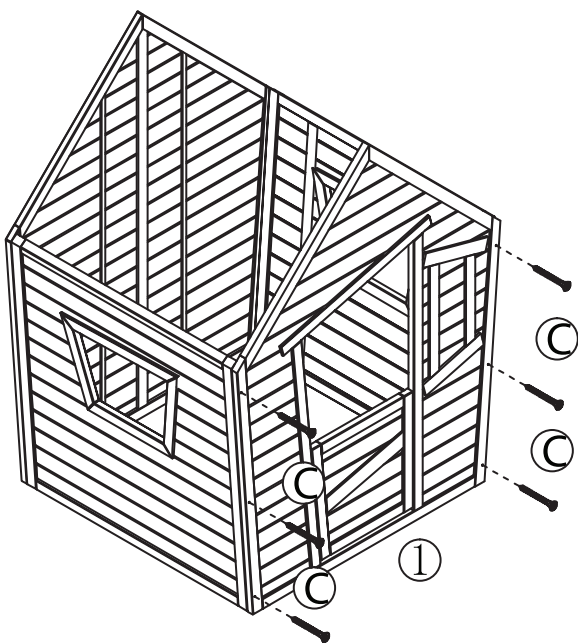


Phillips  
Screwdriver

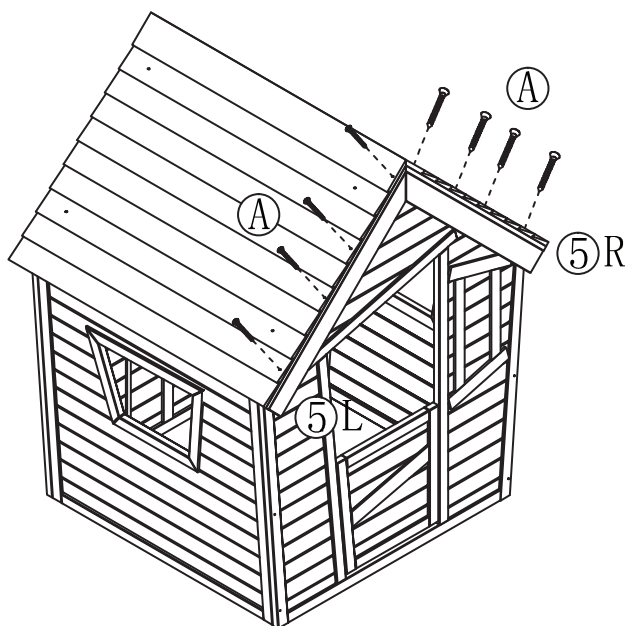


Cordless Drill  
and Phillips Head  
Drill Bit

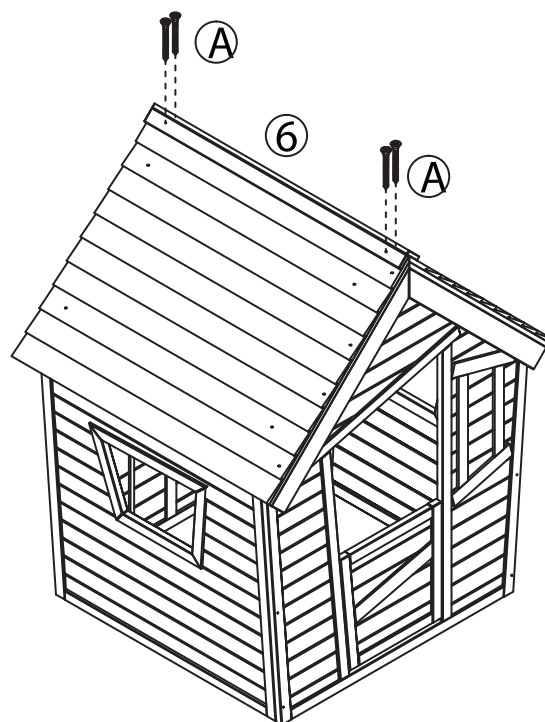
<b>2</b>	M3.5x45mm=6PCS	<b>3</b>	M3.5x35mm=8PCS
----------	----------------	----------	----------------



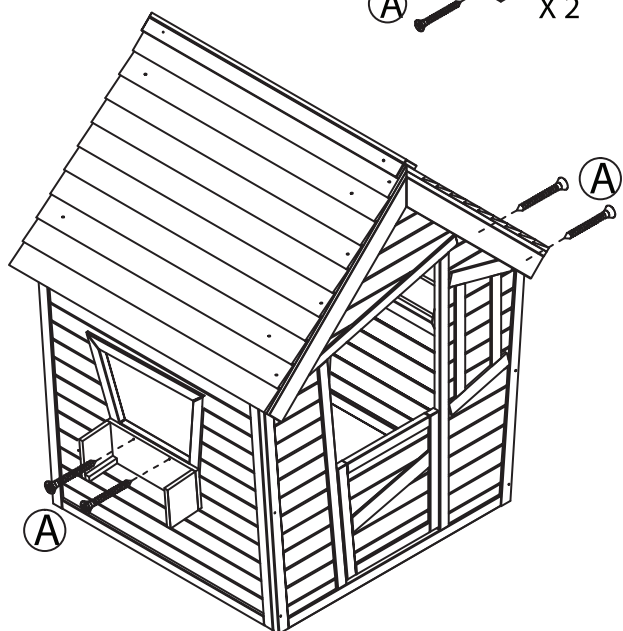
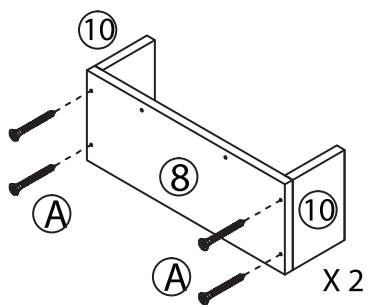
4 M3x30mm=8PCS



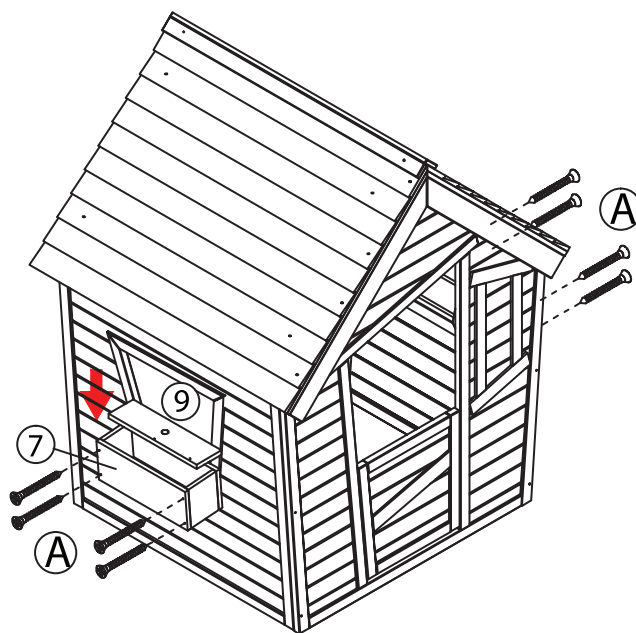
5 M3x30mm=4PCS

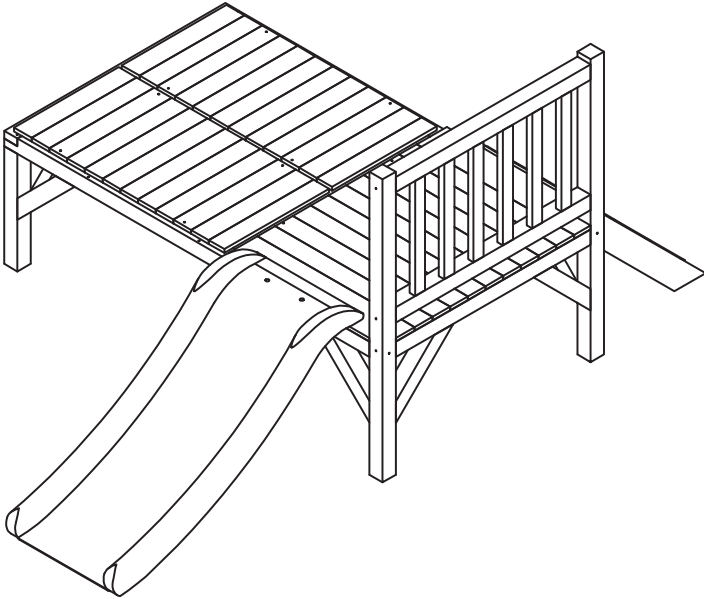
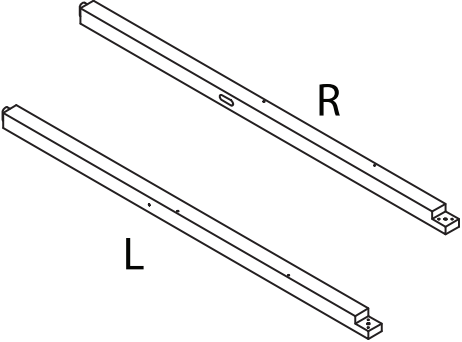
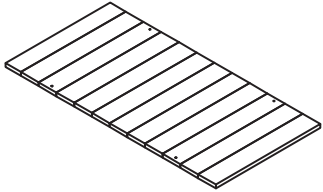
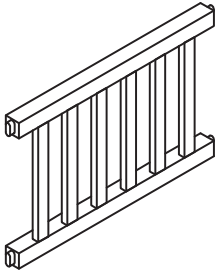
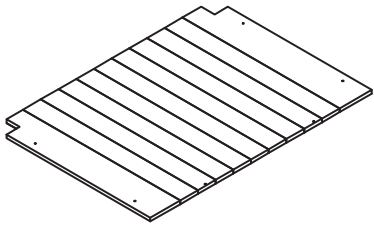

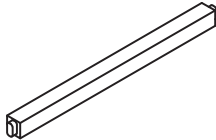
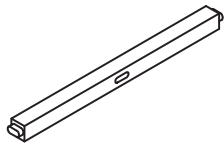
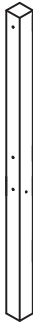
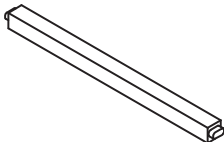
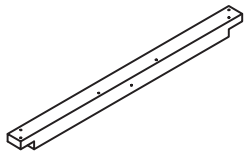



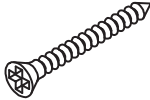


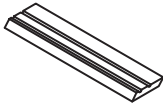

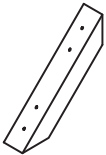
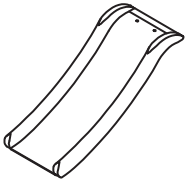

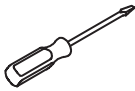
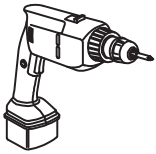

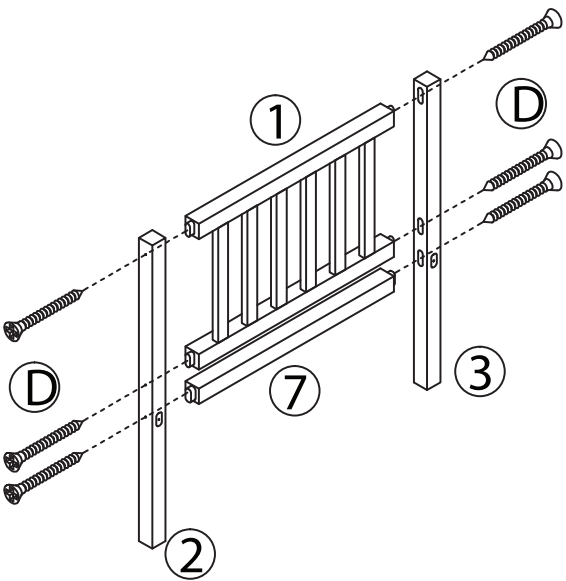
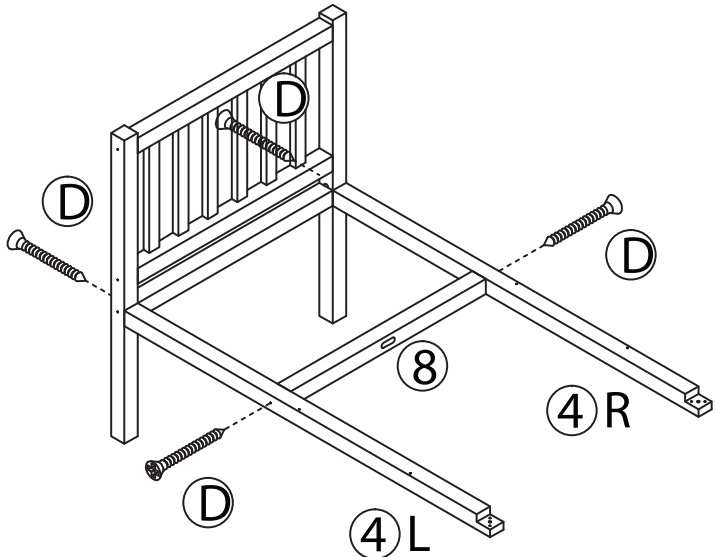
6 M3x30mm=12PCS



7 M3x30mm=8PCS

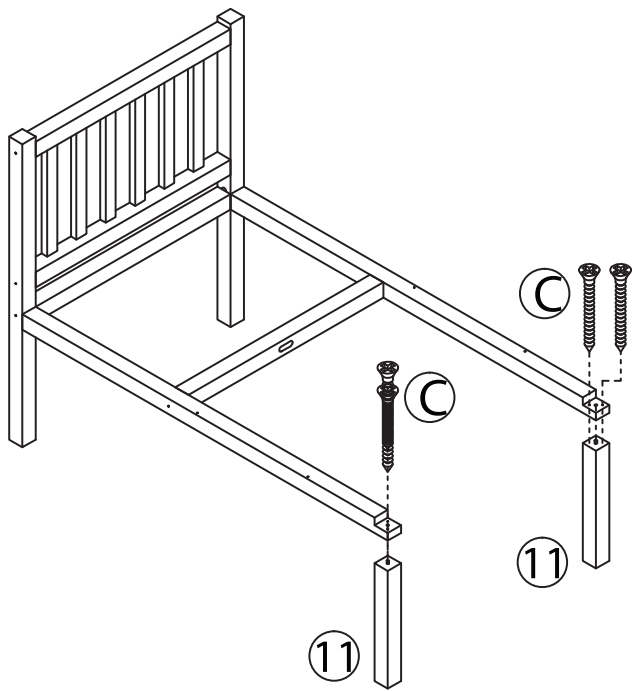


	<p>4</p>		<p>2PCS</p>		
	<p>5</p>		<p>2PCS</p>		
<p>1</p>		<p>1PC</p>	<p>6</p>		<p>1PC</p>
<p>2</p>		<p>1PC</p>	<p>7</p>		<p>1PC</p>
			<p>8</p>		<p>1PC</p>
<p>3</p>		<p>1PC</p>	<p>9</p>		<p>1PC</p>
			<p>10</p>		<p>1PC</p>

11		2PCS	C	 M3.5x60mm	49PCS
12		2PCS	D	 M5x70mm	12PCS
13		3PCS	E	 M6x35mm	2PCS
14		8PCS	F		1PC
A	 M3.5x30mm	14PCS	<b>TOOLS REQUIRED</b>  Phillips Screwdriver  Cordless Drill and Phillips Head Drill Bit		
B	 M3.5x40mm	12PCS			
1	M5x70mm=6PCS				
2	M5x70mm=4PCS				

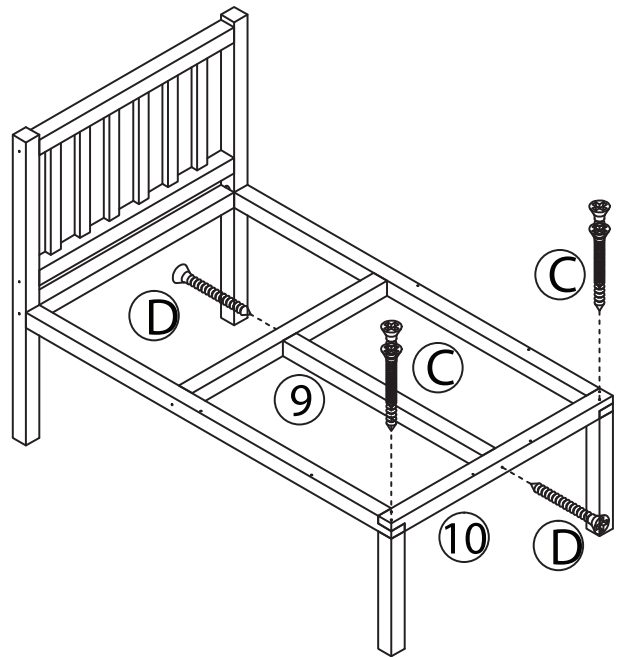
3

M3.5x60mm=4PCS



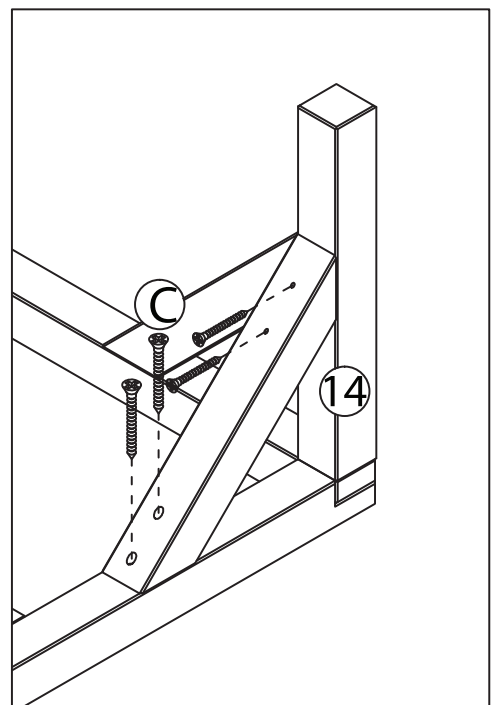
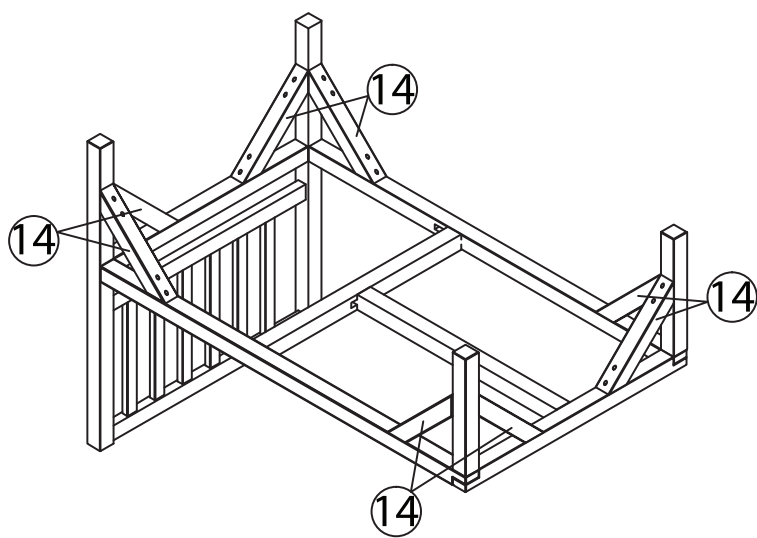
4

M3.5x60mm=4PCS  
M5x70mm=2PCS



5

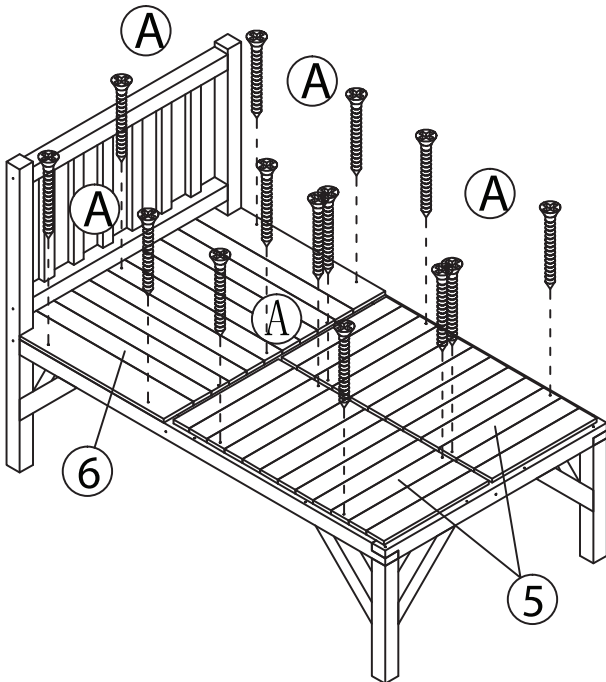
M3.5x60mm=32PCS





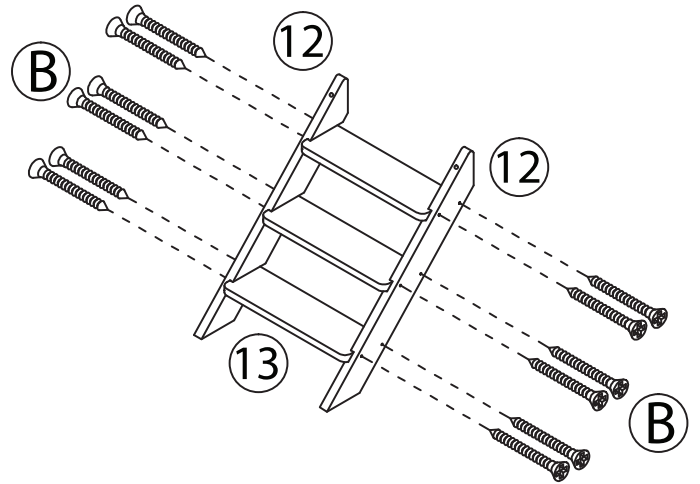
6

M3.5x30mm=14PCS



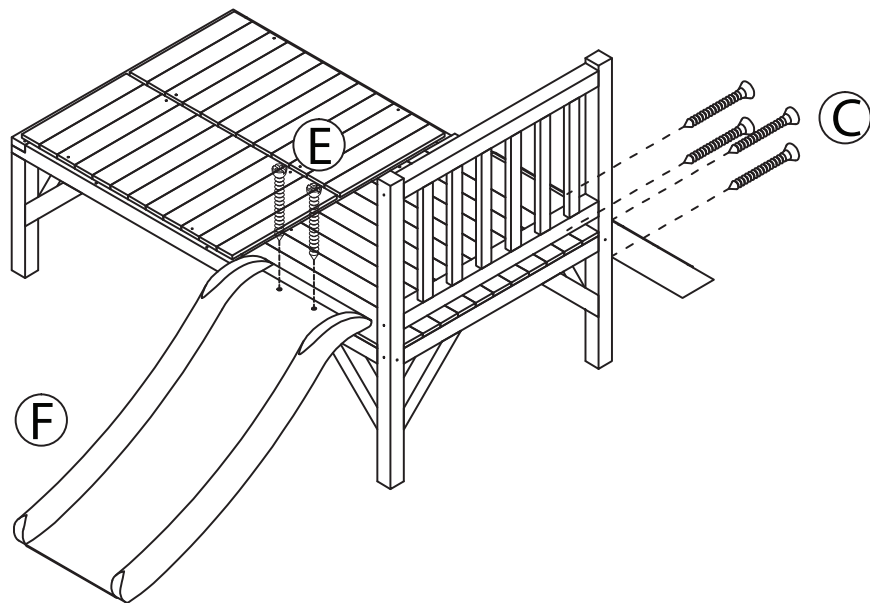
7

M3.5x40mm=12PCS



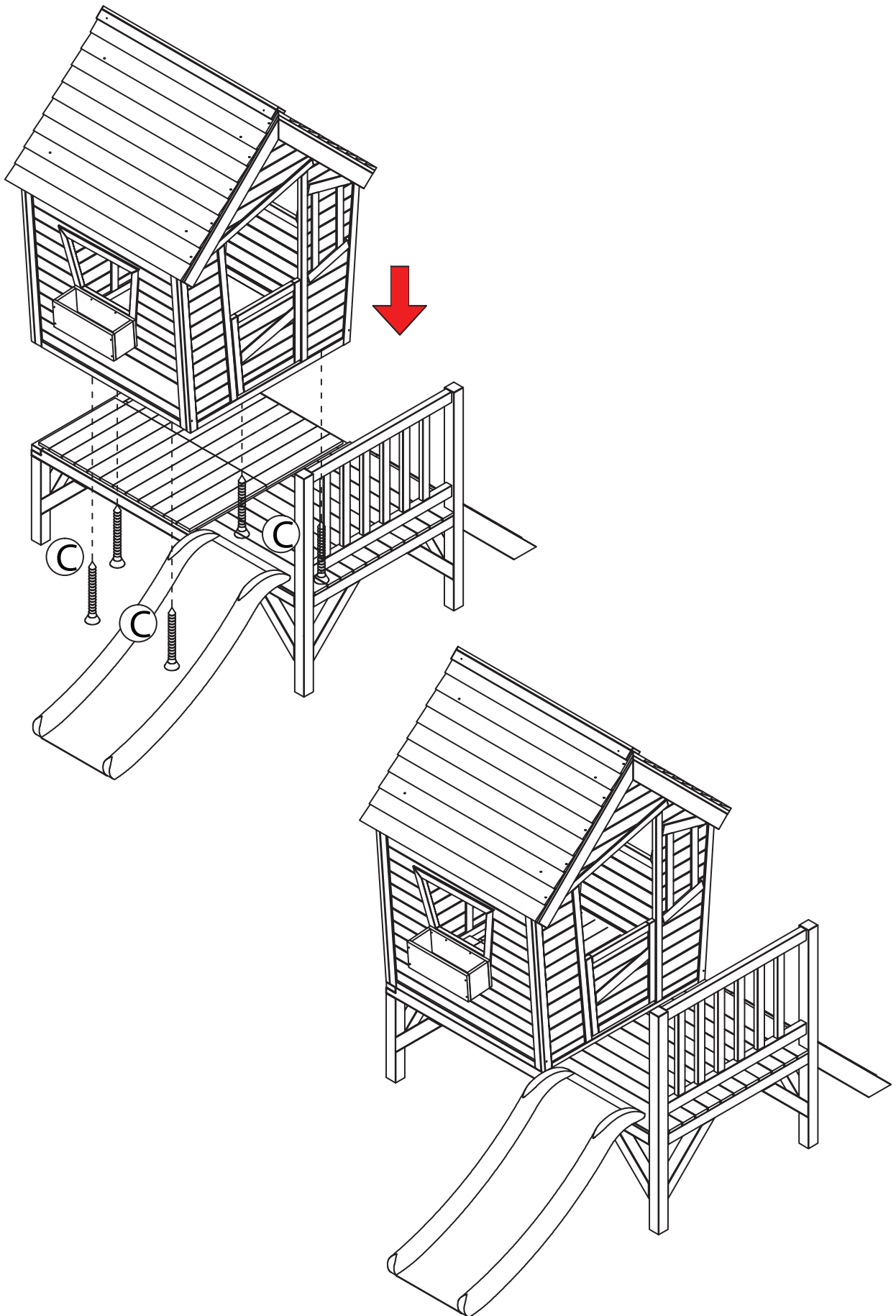
8

M3.5x60mm=4PCS  
M6x35mm=2PCS



9

M3.5x60mm=5PCS



## Consumer Information Sheet for Playground Surfacing Materials

The US Consumer Product Safety Commission (CPSC) estimates about 100000 playground equipment related injuries resulting from falls to the ground surface are treated annually in US hospital emergency rooms. Injuries involving this hazard pattern tend to be among the most serious of all playground injuries, and have the potential to be fatal, particularly when the injury is to the head. The surface under and around the playground equipment can be a major factor in determining the injury-causing potential of a fall. It is self-evident that a fall on to a shock-absorbing surface is less likely to cause a serious injury than a fall onto a hard surface. Playground equipment should never be placed on hard surfaces, such as concrete or asphalt, and while grass may appear to be acceptable, it may quickly turn to hard-packed earth in areas of high traffic. Shredded bark mulch, wood chips, fine sand or fine gravel are considered to be acceptable shock absorbing surfaces when installed and maintained at a sufficient depth under and around the playground equipment.

Table B.1 lists the maximum height from which a child would not be expected to sustain a life threatening head injury in a fall on to four different loose-fill surfacing materials if they are installed and maintained at depths of 150mm, 225mm and 300mm.

**Table B.1 — Fall height in millimetres from which a life-threatening head injury would not be expected**

Type of material	Depth of surfacing material		
	150 mm	225 mm	300 mm
Double shredded bark mulch	1800	3000	3300
Wood chips	1800	2100	3600
Fine sand	1500	1500	2700
Fine gravel	1800	2100	3000

However, it should be recognised that all injuries due to falls cannot be prevented, no matter what surfacing material is used.

It is recommended that a shock absorbing material extend a minimum of 1800mm in all directions from the perimeter of stationary equipment such as climbing frames and slides. However, because children may deliberately jump from a moving swing, the shock absorbing material should extend the front and rear of a swing a minimum distance of twice the height of the pivot point measured from a point directly beneath the pivot on the supporting structure.

This information is intended to assist in comparing the relative shock absorbing properties of various materials. No particular material is recommended over another. However, each material is only effective when properly maintained. Materials should be checked periodically and replenished to maintain correct depth as determined necessary for the equipment in question. The choice of a material depends on the type and height of the playground equipment, the availability of the material in a particular area, and its cost.

This information has been extracted from the CPSC publications "Playground Surfacing - Technical Information Guide" and "Handbook for Public Playground Safety".