

### TIPS ON FITTING YOUR FENCE PANELS

Below show how panels can be fitted to achieve a different finish. The examples below use the same amount of panels and posts over the same length.



**Least amount cuts** - standard panel lengths with 1 panel cut as filler for end of run. This is the easiest method, but may not be acceptable visually.



**Evenly cut panels** - standard panels all cut to even sizes so there is no short panel showing at the end of run.

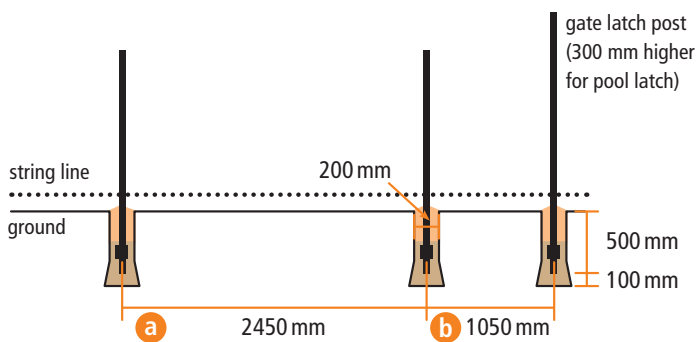
### TOOLS REQUIRED



### SET OUT

Set up your string line for your intended fence line, keeping the string line as low as practical and an even distance from the ground. Use a tape measure to mark your Aluminium Fence Posts and Gate Posts centre locations.

### INSTALLING YOUR ALUMINIUM IN-GROUND POSTS



**a** 2400 mm W Panels = Post centres every 2450 mm

**Cut down Panels** = Cut down panel width plus 25 mm each post

**b** 975 mm W Gate = Post centres 1050 mm (to allow for hardware)



Always check for underground services and Dial Before You Dig on 1100

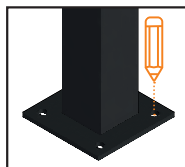
1. Dig your holes 200 mm diameter x 600 mm depth as shown.

2. Half fill the post hole with concrete, then insert the post ensuring correct positioning, the post is level and spacings and dimensions are maintained. Fill the balance of the fence post hole with concrete to just above ground level and taper the concrete from the post down to the ground. Clean any concrete spills or splatters immediately off the post with a damp sponge before it sets. Leave posts overnight for concrete to fully cure.

**DO NOT USE FAST SET CONCRETE for Aluminium posts.**

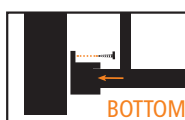
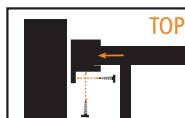
### INSTALLING YOUR ALUMINIUM FLANGED POSTS

1. Position your posts and mark your base plate 4x hole locations to suit your desired fixings as shown.
2. Follow the instructions provided with your fixings, based on your fixing surface.
3. Install your Aluminium Post Domical Covers to conceal your fixings.



### INSTALLING YOUR ALUMINIUM POOL OR GARDEN FENCE PANELS

1. Slide your ProtectorAI™ Panel Brackets onto all 4 corners of your aluminium fence panel with the fixing lugs facing towards the centre of the fence panel.
2. Position the fence panel between the posts ensuring correct location and the aluminium fence panel is level.
3. Use the self-drilling screws provided to fix through the 2x holes in each panel bracket into the post. The last 2 screws are to fix your panel to your panel bracket from the underside, locking your posts, panel and brackets all together.

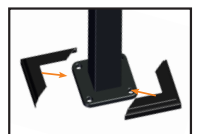


### INSTALLING YOUR ALUMINIUM POOL OR GARDEN GATE

1. Follow the instructions included with your G8Safe® or ProtectorAI™ Hardware product pack.

### INSTALLING YOUR ALUMINIUM POST DOMICAL COVERS

1. Separate the domical cover into two pieces being careful not to lose the small hex screws.
2. Position the 2 part domical cover around the post, concealing your base plate and fixings, lining up the hex screw locations.
3. Insert and tighten the hex screws so the domical cover is now secured in position around the post.



### INSTALLING YOUR ALUMINIUM POST SOLAR LIGHTS

1. Remove the existing black plastic post cap.
2. Follow the simple activation and installation instructions included with the ProtectorAI™ Aluminium Post Solar Lights.

