

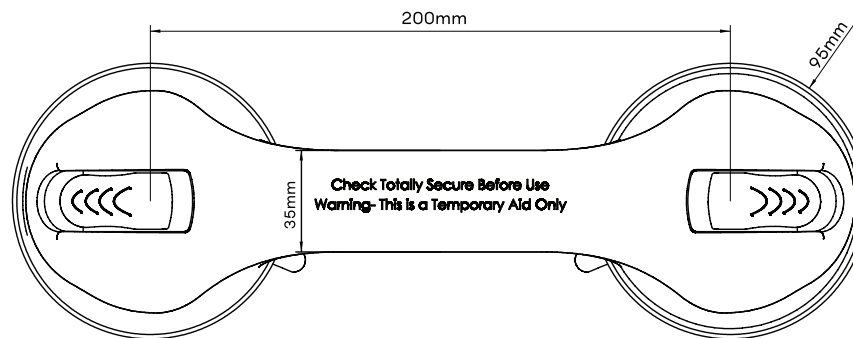
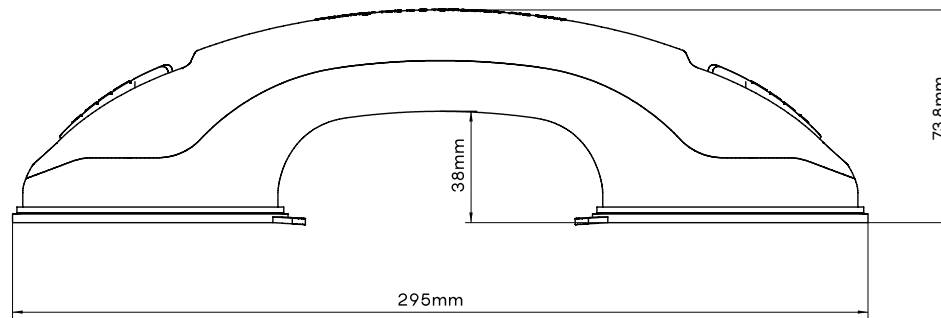
evekare™

Suction Support Bar 300mm

portable ABS support bar with suction grip

Item Number: EVK-0606-MCE

- Suitable for assisted living and aged care
- Secures to any non-porous flat surface
Surface must be clean and dry, and the suction cup must not cover any grout lines
- Easy to remove and relocate with locking tabs
- Designed to assist with balance, not suitable to support entire body weight



Dimensions in millimetres (mm) and subject to manufacturing tolerances