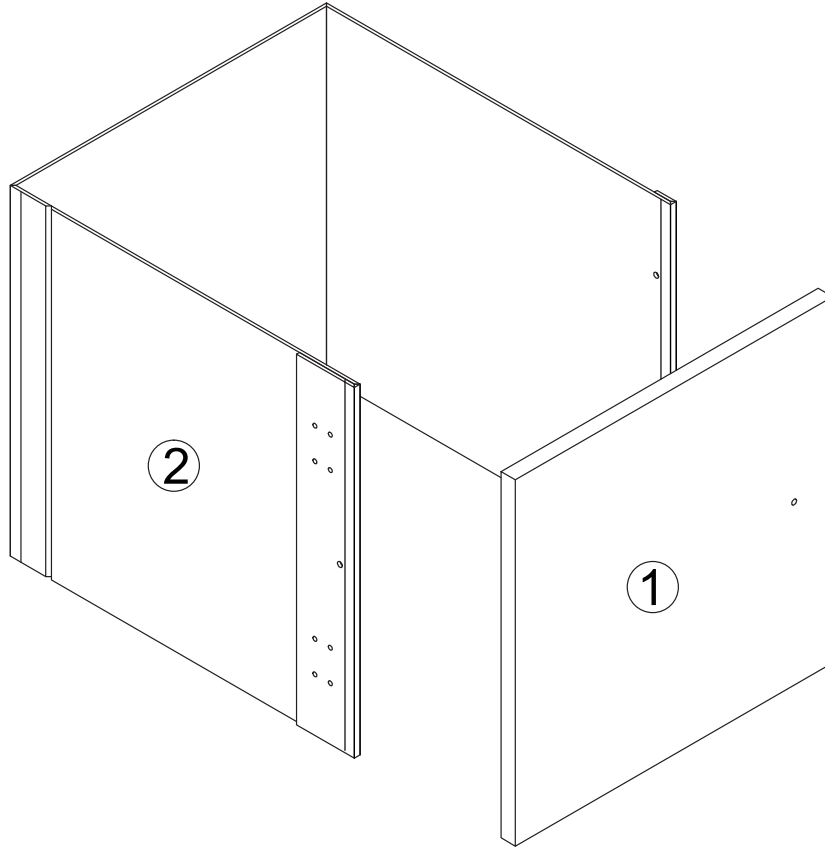




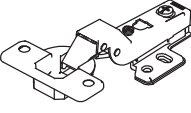
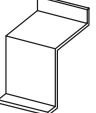


**Care Instructions;** We recommend to wipe over with a dry micro-fibre cloth to remove any dust. Avoid using a damp or wet cloth and any cleaning chemicals as this may cause damage to the surface.

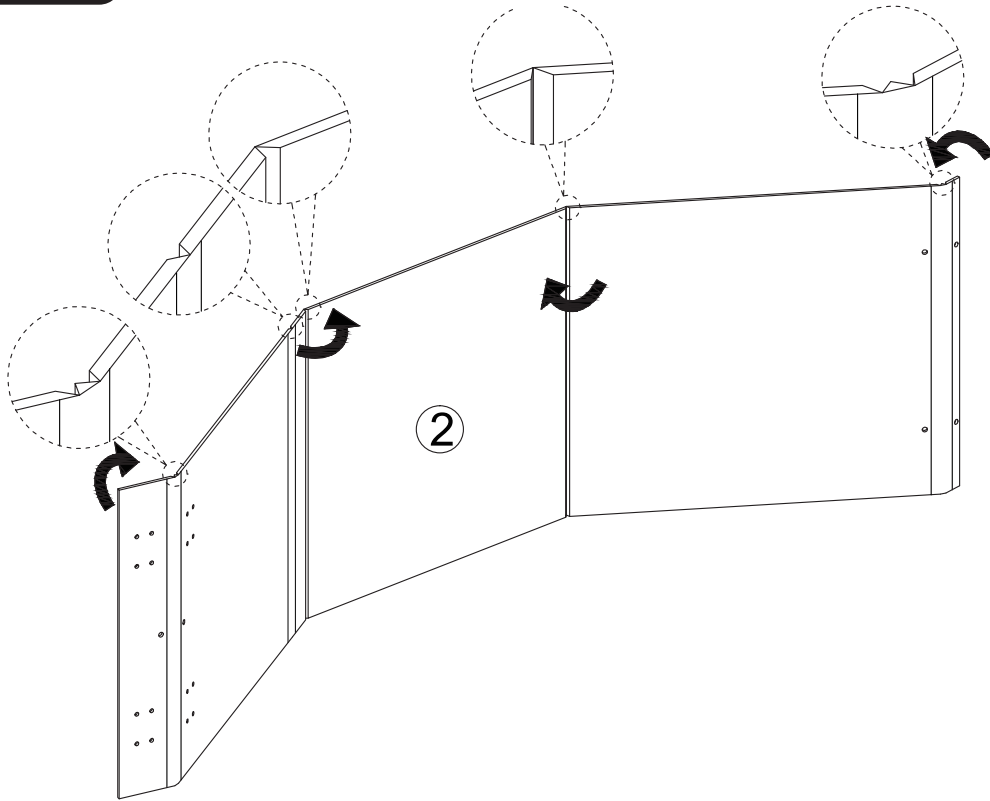
**ELEMENT**



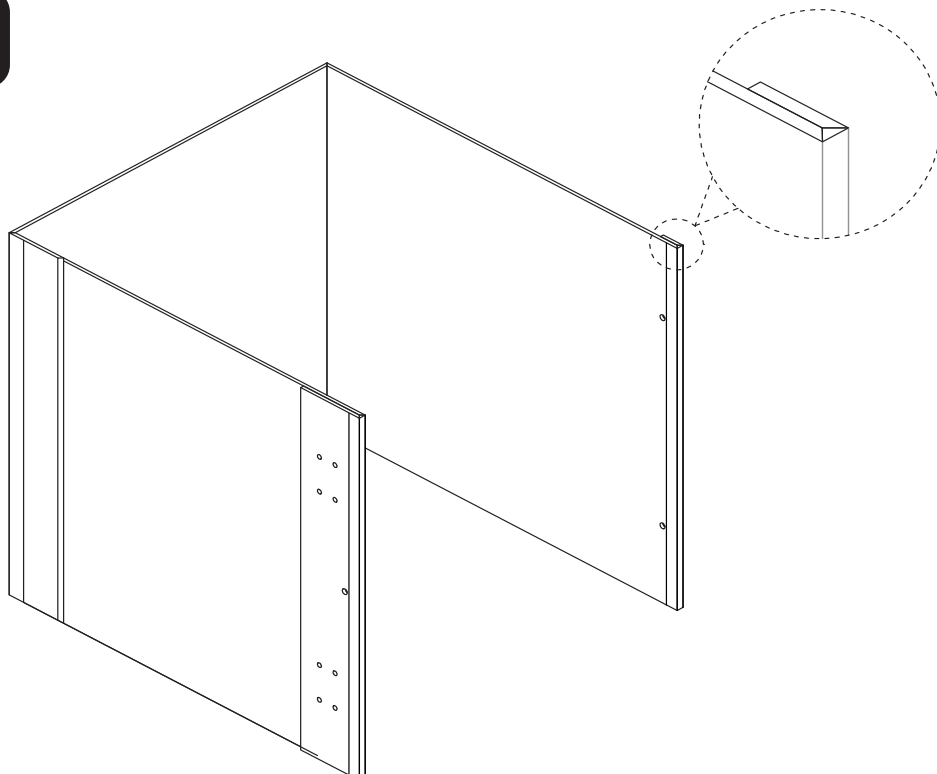
**HARDWARE**

<p><b>A</b></p>  <p><b>x11</b></p>	<p><b>B</b></p>  <p><b>x4</b></p>	<p><b>C</b></p>  <p><b>x1</b></p>
<p><b>D</b></p>  <p><b>x1</b></p>	<p><b>E</b></p>  <p><b>x2</b></p>	<p><b>F</b></p>  <p><b>x1</b></p>

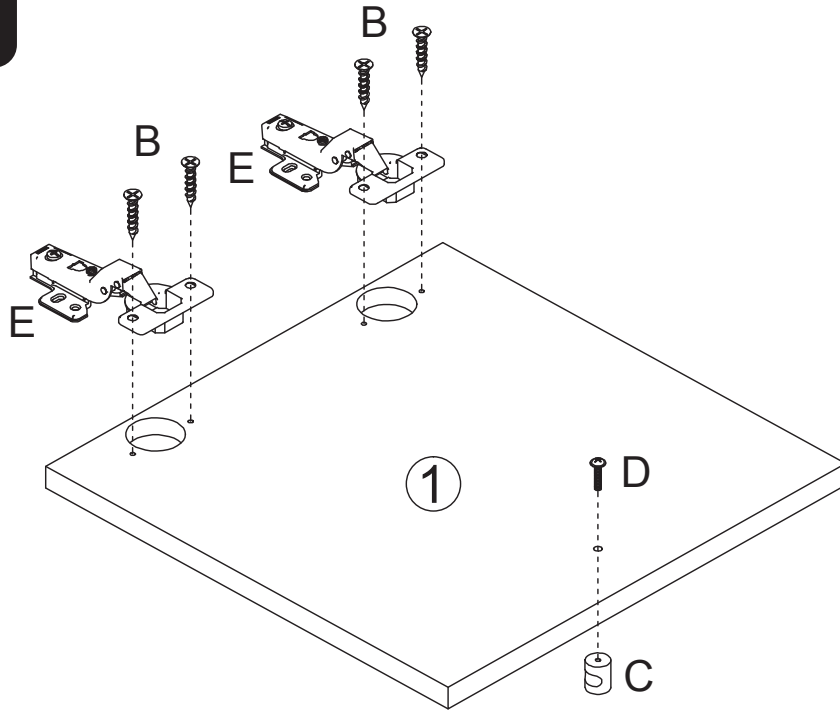
**STEP 1**



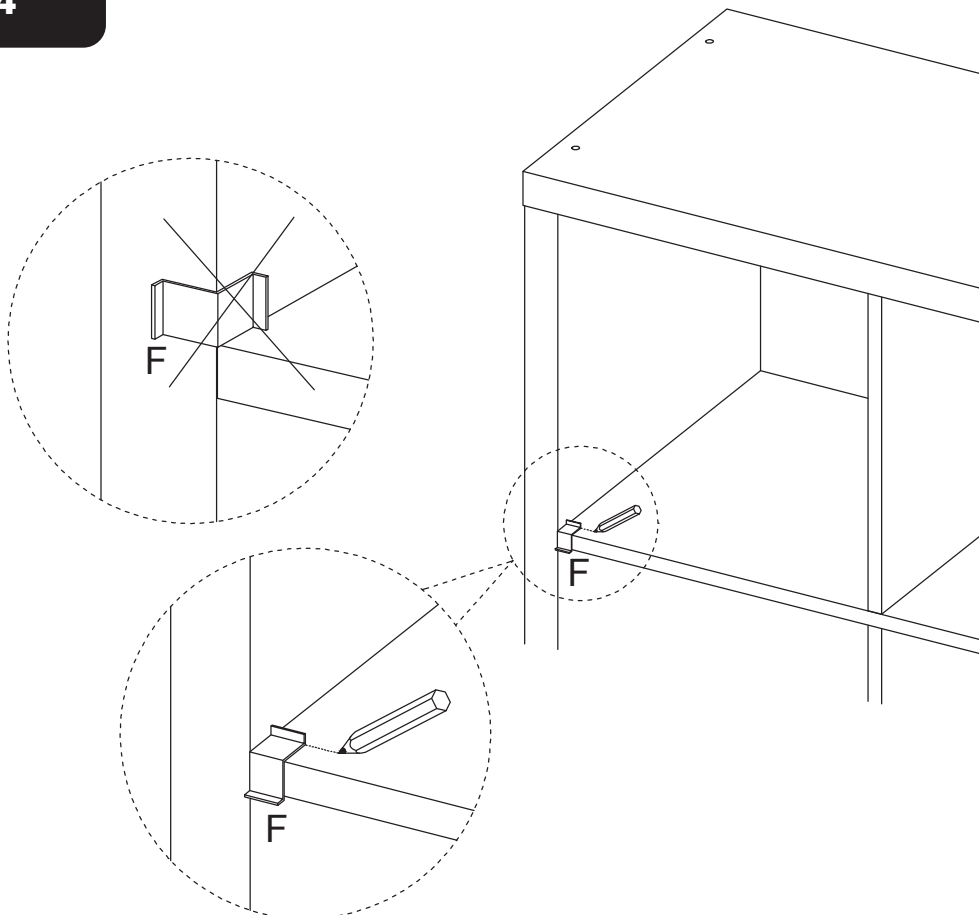
**STEP 2**



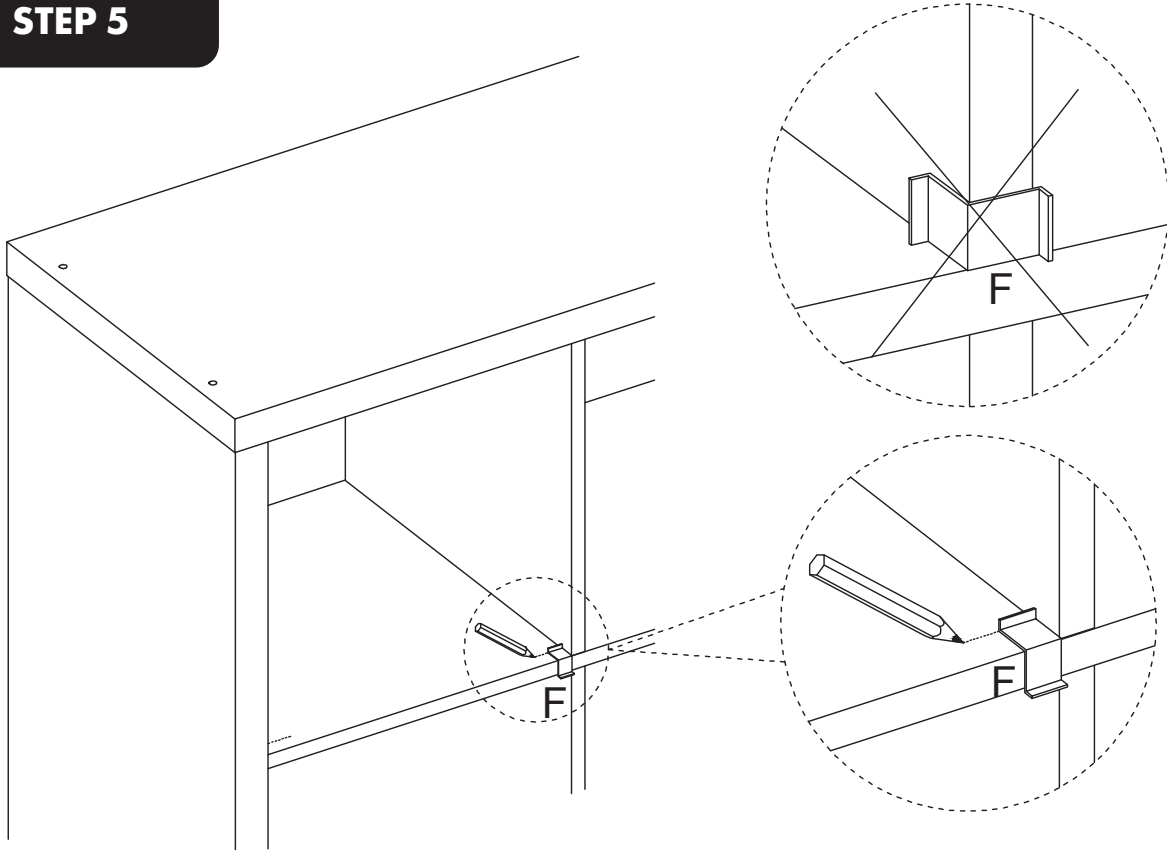
**STEP 3**



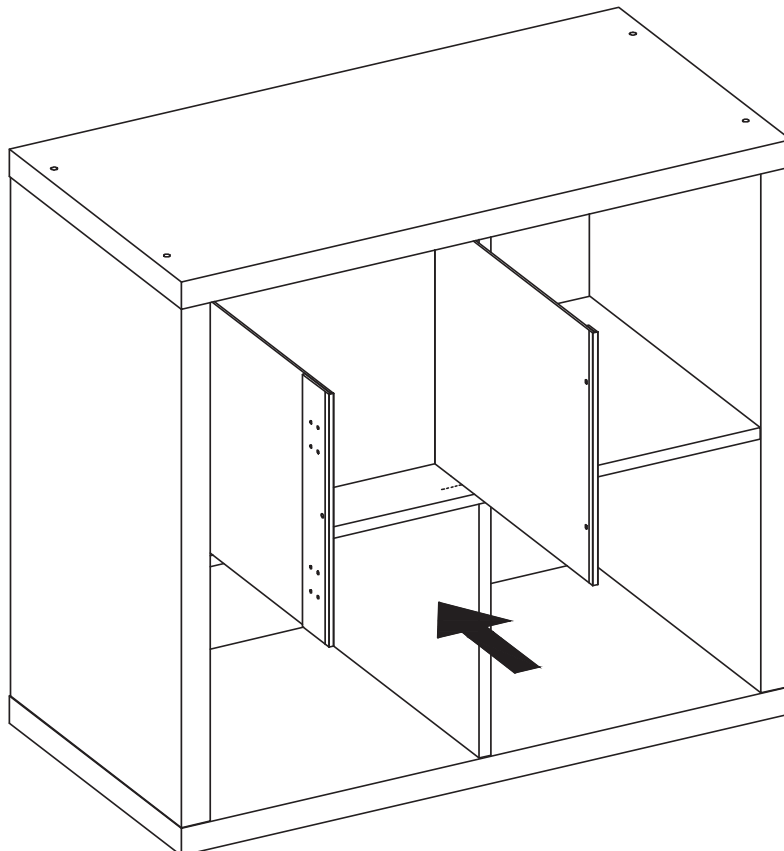
**STEP 4**



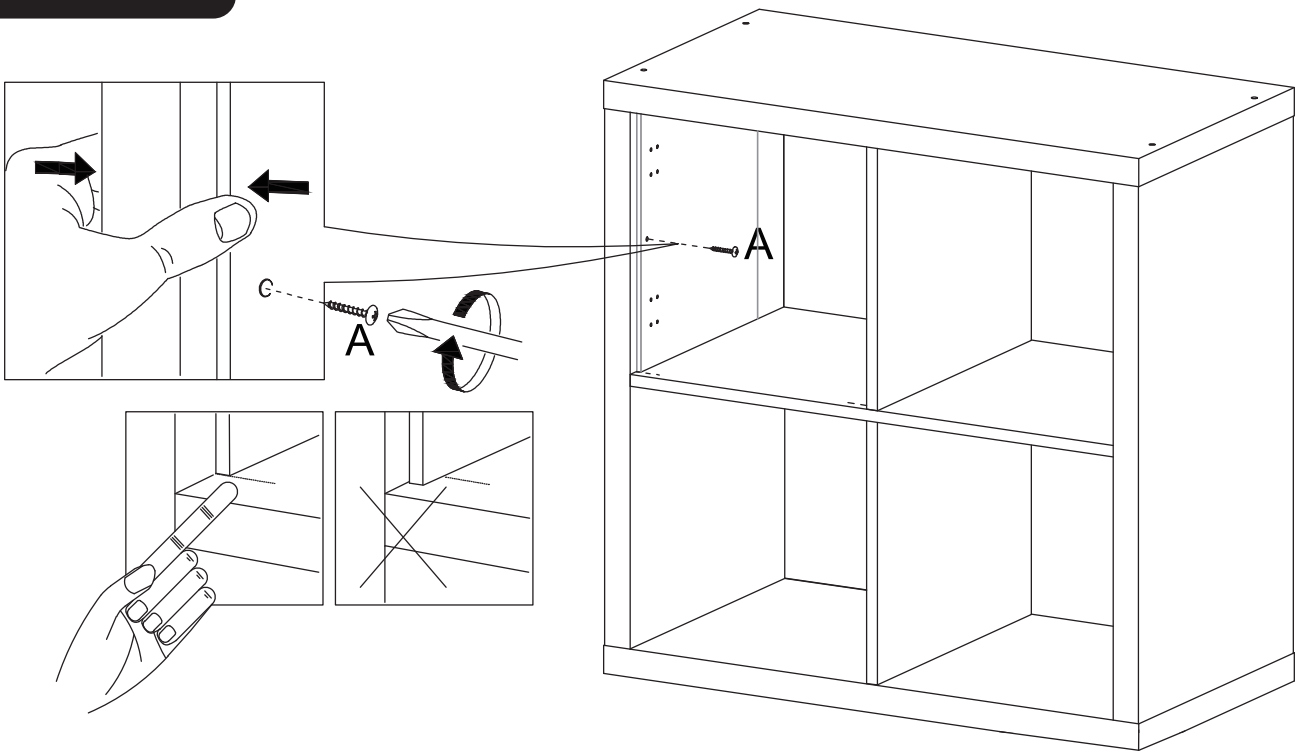
**STEP 5**



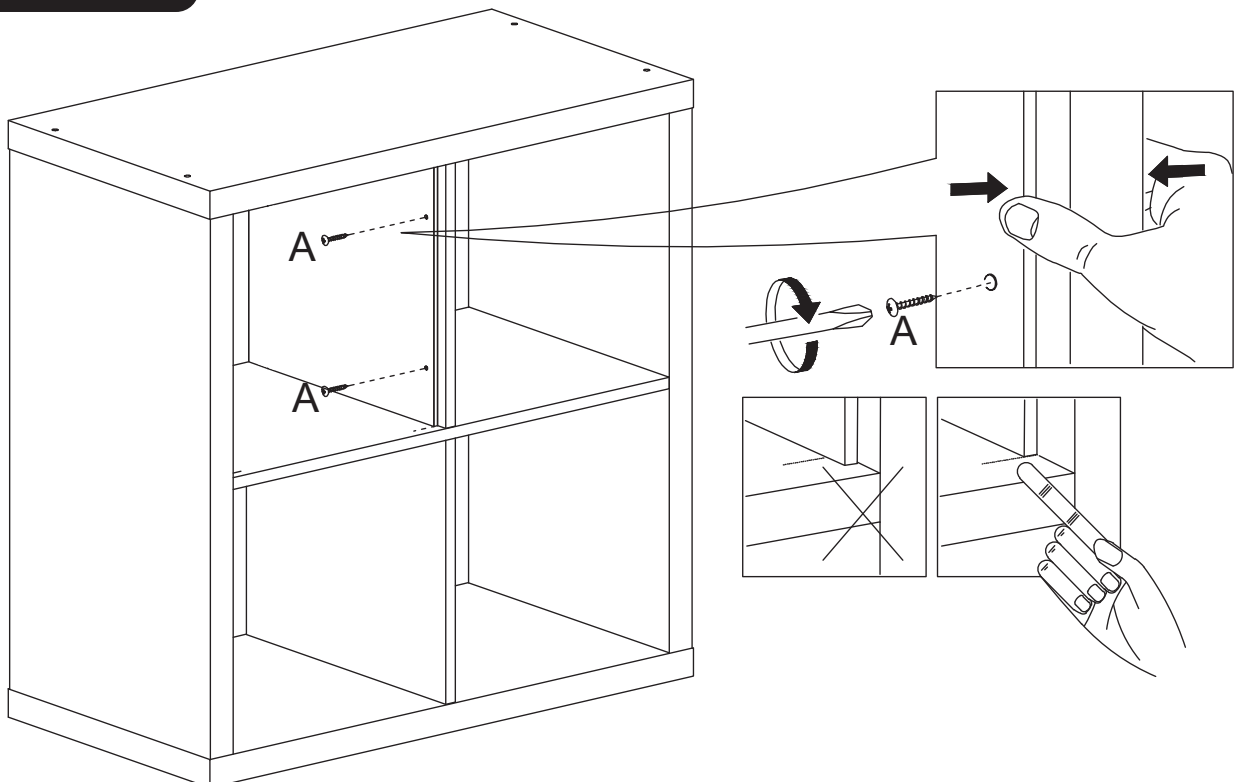
**STEP 6**



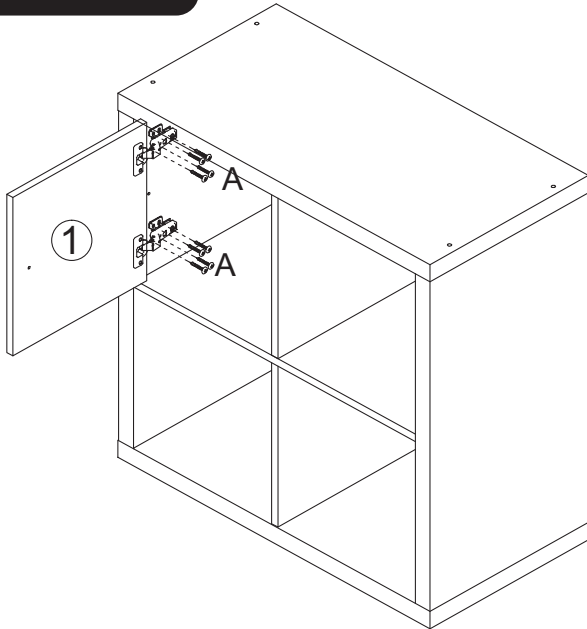
**STEP 7**



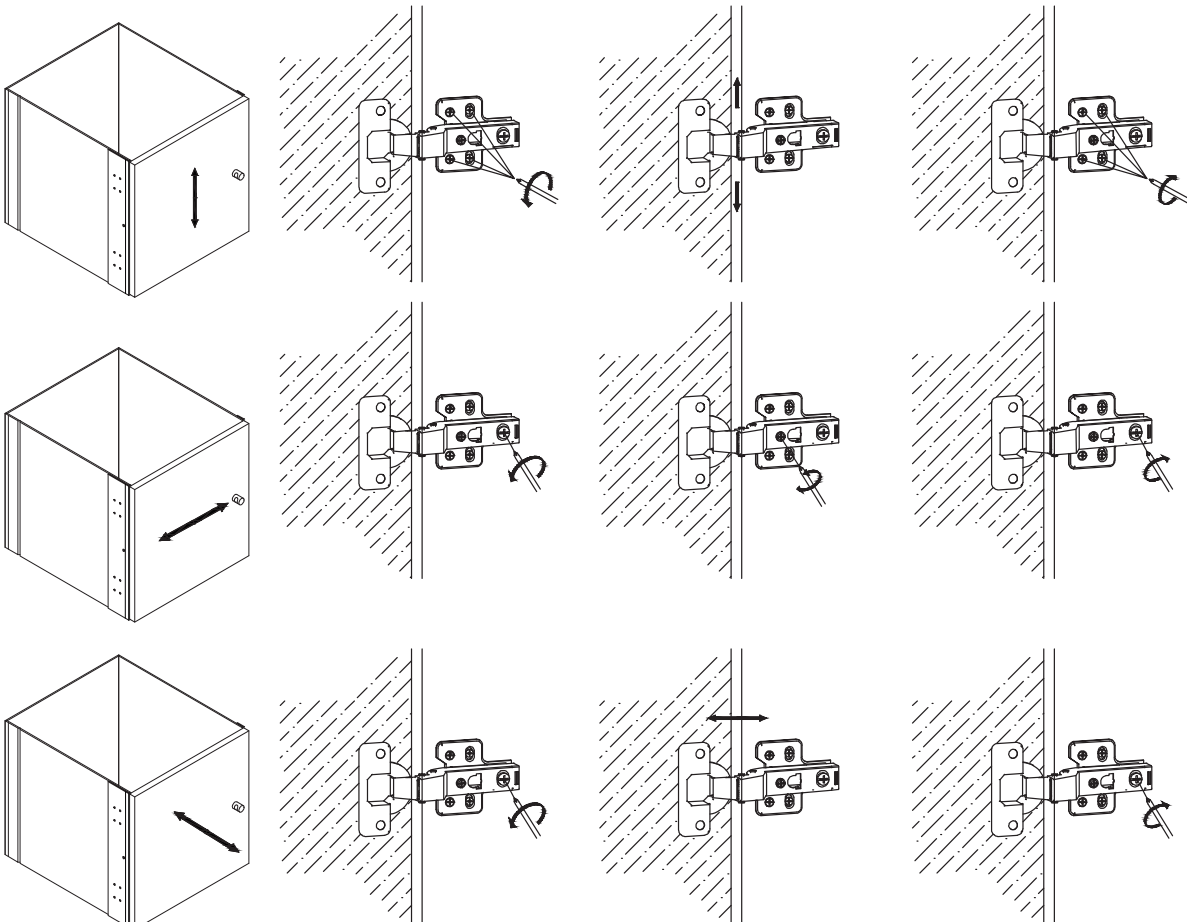
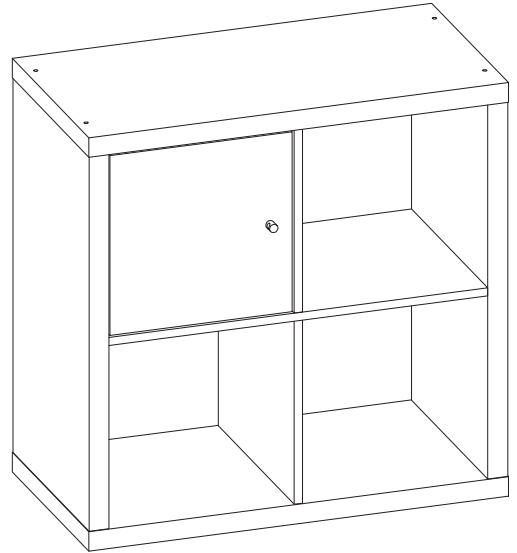
**STEP 8**



**STEP 9**



**STEP 10**



DISTRIBUTED BY:  
 Visy Retail Services Pty Ltd (AU): 1300 734 714  
 Visy Board Limited (NZ): 0800 443 058

For more information please visit:  
[flexistorage.com.au](http://flexistorage.com.au)  
[flexistorage.co.nz](http://flexistorage.co.nz)