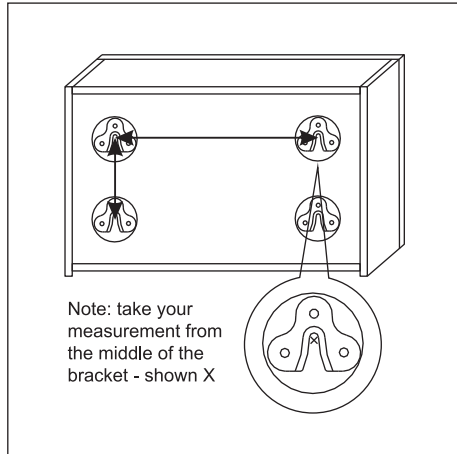


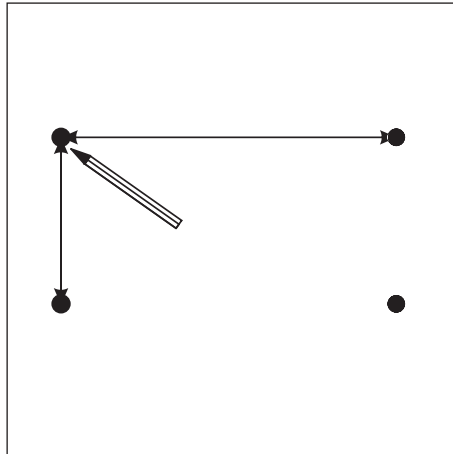
## SHAVING CABINET INSTALLATION GUIDE

### IMPORTANT

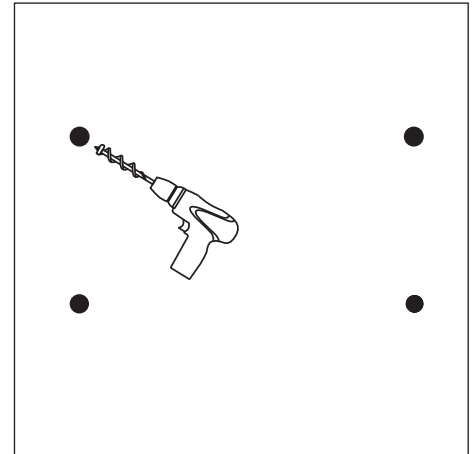
- Prior to installation, all parts and components should be thoroughly inspected for defects. This product will not be warranted if it has been installed with pre-existing defects.
- This product must not be installed in an area where it may be exposed to splashing water from a bath or shower.
- The included fixings are suitable for solid walls only. It is the installer's responsibility to ensure that the correct fixings are used to suit the wall type, and that the cabinet is mounted to a structure suitable to support the weight of the cabinet when loaded.



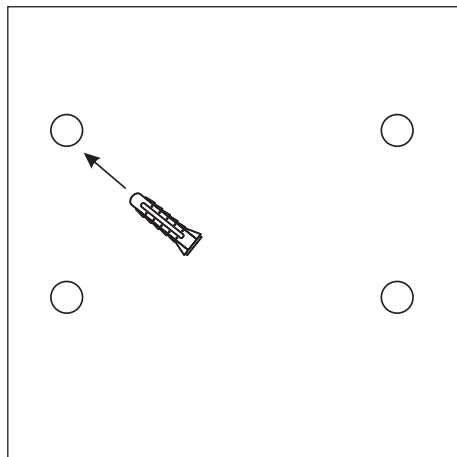
1. Take measurements from the back of the cabinet's fixing points.



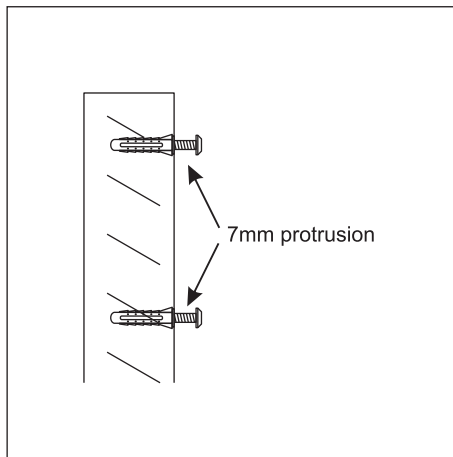
2. Mark out the fixing locations onto the wall.



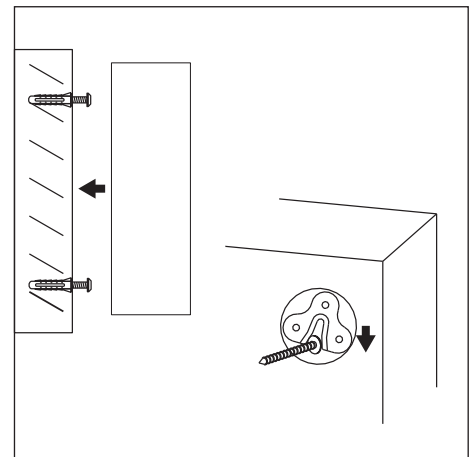
3. Drill into the marked out locations using an appropriate drill bit (i.e. masonry bit for tiles).



4. Insert the wall plugs.



5. Install the screws into the wall plugs, leaving about 7mm protruding from the wall.



6. Place the cabinet brackets over the exposed screws, and slide downwards to lock into place.

### CARE & MAINTENANCE

- The cabinet is moisture resistant, not waterproof. Damage may occur if the cabinet is exposed to water for extended periods of time. Excess water should be wiped dry at the earliest opportunity. Ensure the bathroom has adequate ventilation to prevent moisture build up.
- Clean with a soft cloth and warm soapy water or a mild detergent. Do not use abrasive cleaners or harsh chemicals. Ensure cabinet is adequately dried after cleaning. Avoid leaving residues from bathroom products on the surface for extended periods.