

# Kitchen & Laundry Sinks



**SPECIAL  
ORDERS**



**CLARK**<sup>®</sup>

Available at  
**BUNNINGS**  
warehouse

Take this brochure to the Special Orders Desk or order online at [bunnings.com.au](https://www.bunnings.com.au)

# Selecting the right sink for you.

## The CLARK difference.

- ▲ CLARK Lifetime warranty\* for peace of mind
- ▲ Manufactured from quality 304 grade stainless steel and 100% recyclable
- ▲ All sinks include stainless steel basket waste/s to help maintain maximum hygiene
- ▲ Installation tape, mounting clips & cutout templates included for ease of installation
- ▲ Australian owned, designed and engineered with over 75 years of experience

For more information visit [clark.com.au](http://clark.com.au)



Pictured:  
ROUND BOWL  
UNDERMOUNT  
5110273

DORF RETRACTABLE  
SINK MIXER  
BLACK NICKEL  
0184867

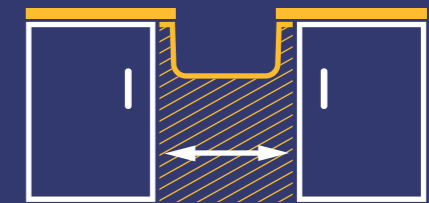
## Installation type.

Overmount or Undermount? An overmount sink is a traditional drop-in style sink with a lip that sits over the benchtop; is easy to install and is suitable for all benchtops. An undermount sink is installed underneath the benchtop and requires a solid surface like granite, marble or engineered stone.



## Cabinet size.

Check that your cabinet is wide enough (left to right) and deep enough (front to back) to accommodate your chosen sink.



## Bowl & drainer configuration.

There are numerous bowl and drainer configurations to choose from when selecting your kitchen sink and your choice will ultimately affect the function of your kitchen. The drainer and bowl location is also an important consideration as most sinks are available in left hand or right hand bowl configurations. Consider which option will work best in your space.



### Single bowl sinks

A great fit for small kitchens, alfresco or butler's pantry. Available in overmount or undermount.



### 1.75 bowl sinks with drainer

A practical second bowl makes this an ideal sink for busy kitchens.



### Single bowl sinks with drainer

For smaller kitchens, studios or butler's pantries with the need for a handy drainage or prep area.



### Double bowl sinks

A great fit for larger kitchens while maintaining a minimalist (drainer free) look.



### 1.5 bowl sinks with drainer

Add a little more functionality. Perfect for those who need a little extra sink space or a rinsing bowl.



### Double bowl sinks with drainer

An ideal working space for family sized kitchens and those who love to cook.

## Bowl size.

While small bowls might take up less bench space, make sure you have a large enough bowl to suit your needs.



\*For more information visit [clark.com.au](http://clark.com.au)

LIFETIME WARRANTY

1 YEAR  
Replacement Products or Parts and Labour

Australian Owned, Designed and Engineered



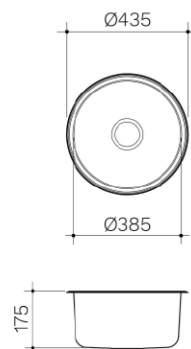
Pictured:  
**ROUND BOWL OVERMOUNT**  
5110311

## Single bowl round.



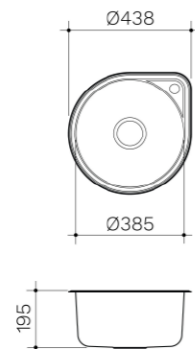
**ROUND BOWL OVERMOUNT**  
5110311

- Includes basket waste
- 304 grade stainless steel
- Polished finish
- Bowl volume : 20L



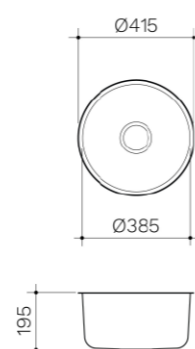
**ROUND BOWL OVERMOUNT WITH TAP LANDING**  
5110274

- 1 tap hole
- Includes basket waste
- 304 grade stainless steel
- Polished finish
- Bowl volume : 22.5L



**ROUND BOWL UNDERMOUNT**  
5110273

- Includes basket waste
- 304 grade stainless steel
- Polished finish
- Bowl volume : 22.5L

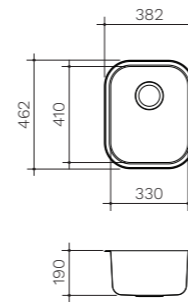


## Single bowl square.



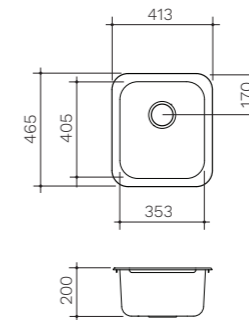
**MONACO SINGLE BOWL OVERMOUNT**  
5110166

- Includes basket waste, bamboo board and stainless steel colander set
- Rear positioned waste creates more usable underbench space
- 304 grade stainless steel
- Polished finish
- Bowl volume : 23L



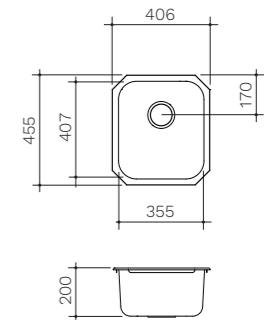
**POLAR SINGLE BOWL OVERMOUNT**  
5110475

- Includes basket waste
- Rear positioned waste creates more usable underbench space
- 304 grade stainless steel
- Polished finish
- Bowl volume : 26L



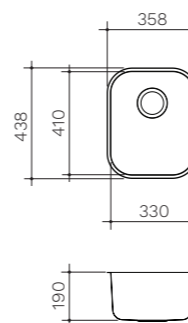
**POLAR SINGLE BOWL UNDERMOUNT**  
5110476

- Includes basket waste
- Rear positioned waste creates more usable underbench space
- 304 grade stainless steel
- Polished finish
- Bowl volume : 26L



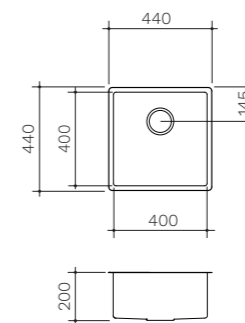
**MONACO SINGLE BOWL UNDERMOUNT**  
5110122

- Includes basket waste, bamboo board and stainless steel colander set
- Rear positioned waste creates more usable underbench space
- 304 grade stainless steel
- Polished finish
- Bowl volume : 23L



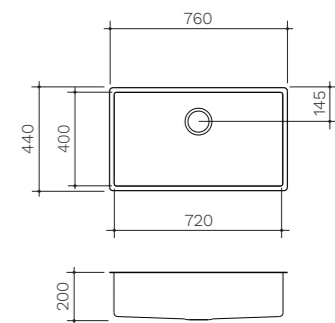
**PRISM SINGLE BOWL OVERMOUNT/UNDERMOUNT**  
5110484

- Includes basket waste
- Rear positioned waste creates more usable underbench space
- 304 grade stainless steel
- 10mm bowl radius
- Polished finish
- Bowl volume : 31L
- Optional accessories available



**PRISM SINGLE LARGE BOWL OVERMOUNT/UNDERMOUNT**  
59899

- Generous bowl size is perfect for soaking and cleaning larger items
- Includes basket waste
- Rear positioned waste creates more usable underbench space
- 304 grade stainless steel
- 10mm bowl radius
- Polished finish
- Bowl volume : 54.5L
- Optional accessories available



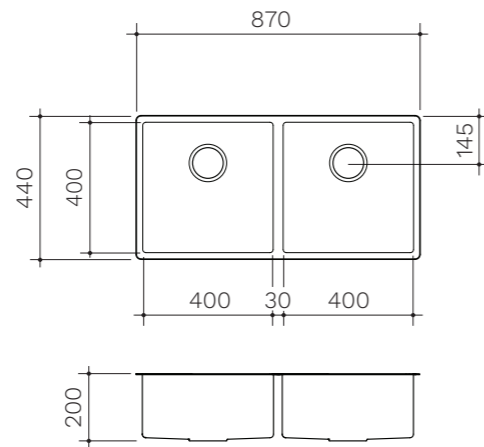
CLARK RECOMMENDS

## PRISM DOUBLE BOWL OVERMOUNT/UNDERMOUNT

5110486



- Includes basket wastes
- Rear positioned waste creates more usable underbench space
- 304 grade stainless steel
- 10mm bowl radius
- Polished finish
- Bowl volume : 31L per bowl
- Optional accessories available

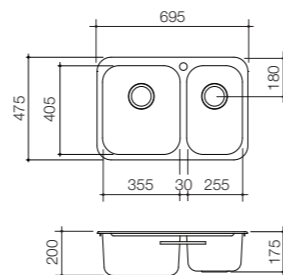


### POLAR 1.5 BOWL OVERMOUNT

5110477

- Available with 0 or 1 tap hole
- Includes basket wastes
- 304 grade stainless steel
- Rear positioned waste creates more usable underbench space
- Polished Finish
- Bowl volume : 26L (L), 16L (S)

Also available as:  
1 Tap Hole 5110478



# Double bowl.

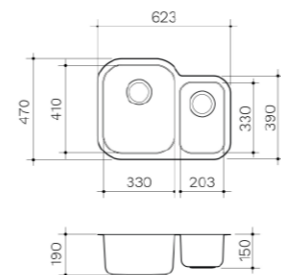


### MONACO 1.5 BOWL UNDERMOUNT

5110114 (Left Hand Bowl)

- Available in left or right hand bowls
- Includes basket wastes, bamboo board and stainless steel colander set
- Rear positioned wastes creates more usable underbench space
- 304 grade stainless steel
- Polished finish
- Bowl volume : 23L (L), 7.5L (S)

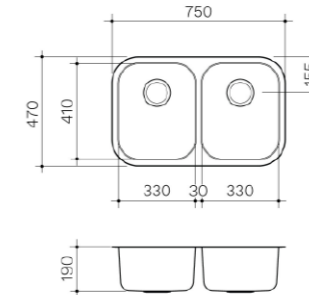
Also available as:  
Right Hand Bowl 5110116



### MONACO DOUBLE BOWL UNDERMOUNT

5110113

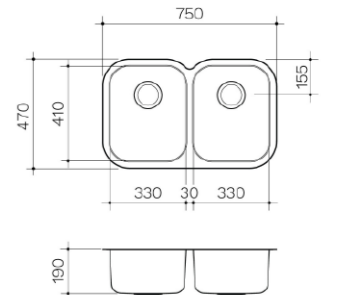
- Includes basket wastes, bamboo board and stainless steel colander set
- Rear positioned waste creates more usable underbench space
- 304 grade stainless steel
- Polished finish
- Bowl volume : 23L per bowl



### MONACO SCALLOPED DOUBLE BOWL UNDERMOUNT

5110121

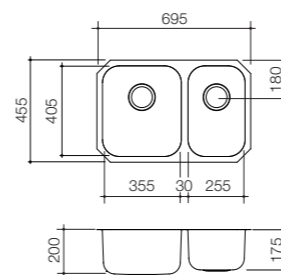
- Includes basket wastes, bamboo board and stainless steel colander set
- Rear positioned waste creates more usable underbench space
- 304 grade stainless steel
- Polished finish
- Bowl volume : 23L per bowl



### POLAR 1.5 BOWL UNDERMOUNT

5110479

- Includes basket wastes
- 304 grade stainless steel
- Rear positioned waste creates more usable underbench space
- Polished Finish
- Bowl volume : 26L (L), 16L (S)

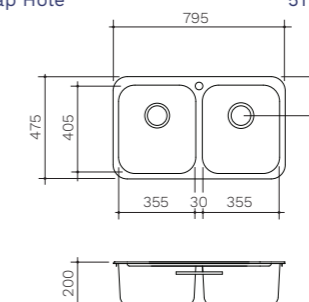


### POLAR DOUBLE BOWL OVERMOUNT

5110480

- Available with 0 or 1 tap hole
- Includes basket wastes
- Rear positioned waste creates more usable underbench space
- 304 grade stainless steel
- Polished finish
- Bowl volume : 26L per bowl

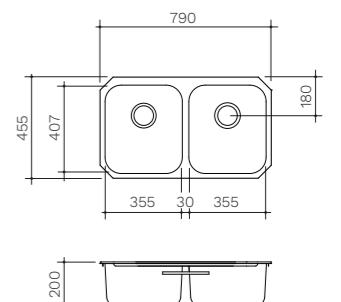
Also available as:  
1 Tap Hole 5110481



### POLAR DOUBLE BOWL UNDERMOUNT

5110483

- Includes basket wastes
- Rear positioned waste creates more usable underbench space
- 304 grade stainless steel
- Polished finish
- Bowl volume : 26L per bowl



Pictured:  
PRISM DOUBLE BOWL  
OVERMOUNT/UNDERMOUNT  
5110486

DORF VIXEN RETRACTABLE  
SINK MIXER - CHROME  
5003373

LIFETIME  
WARRANTY

1  
YEAR  
Replacement Products  
or Parts and Labour

Australian Owned,  
Designed and Engineered

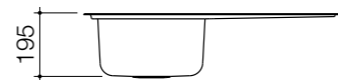
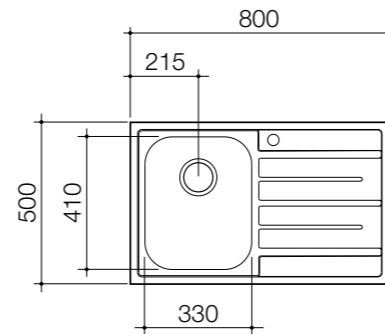
CLARK RECOMMENDS

▶ **MANTRA  
SINGLE END BOWL**  
5110451 (1 Tap Hole, Left Hand Bowl)



- Available with left or right hand bowl
- Includes basket waste, bamboo board and stainless steel colander set
- Rear positioned waste creates more usable underbench space
- 304 grade stainless steel
- Polished finish
- Bowl volume : 23L

**Also available as:**  
1 Tap Hole, Right Hand Bowl 5110452

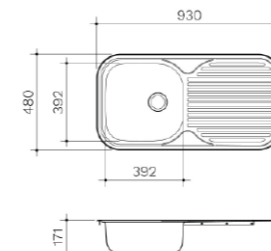


# Single bowl with drainer.



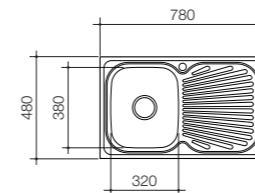
- ADVANCE  
SINGLE END BOWL**  
5110108 (1 Tap Hole, Left Hand Bowl)
- Available with 0 or 1 tap hole
  - Available with left or right hand bowl
  - Includes basket waste
  - 304 grade stainless steel
  - Polished finish
  - Bowl volume : 20L

**Also available as:**  
0 Tap Hole 5110106  
1 Tap Hole, Right Hand Bowl 5110169



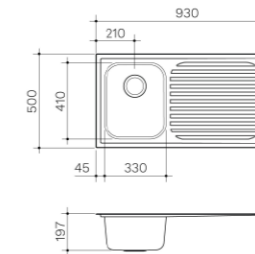
- VITAL  
SINGLE END BOWL**  
5110285 (No Tap Hole)
- Available with 0 or 1 tap hole
  - Available with left or right hand bowl
  - Includes basket waste
  - 304 grade stainless steel
  - Polished finish
  - Bowl volume : 19L

**Also available as:**  
1 Tap Hole, Left Hand Bowl 5110287  
1 Tap Hole, Right Hand Bowl 5110286



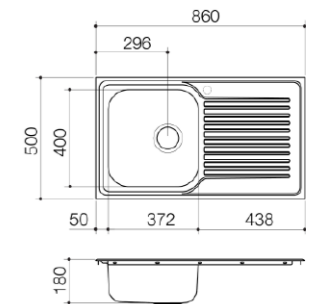
- MONACO  
SINGLE END BOWL**  
5110293 (No Tap Hole, Left Hand Bowl)
- Available with 0 or 1 tap hole
  - Available with left or right hand bowl
  - Includes basket wastes, bamboo board and stainless steel colander set
  - Rear positioned waste creates more usable underbench space
  - 304 grade stainless steel
  - Polished finish
  - Bowl volume : 20.2L

**Also available as:**  
0 Tap Hole, Right Hand Bowl 5110295  
1 Tap Hole, Left Hand Bowl 5110294  
1 Tap Hole, Right Hand Bowl 5110297



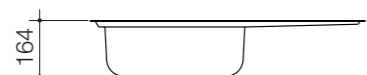
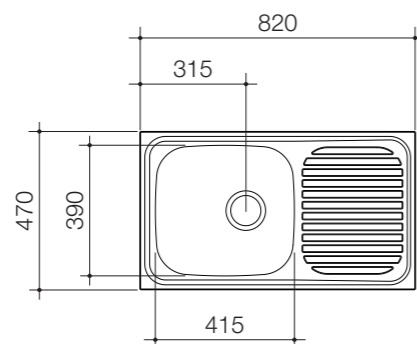
- PUNCH  
SINGLE END BOWL**  
5110514 (No Tap Hole)
- Available with 0 or 1 tap hole
  - Available with left or right hand bowl
  - Includes basket waste
  - 304 grade stainless steel
  - Polished finish
  - Bowl volume : 21L

**Also available as:**  
1 Tap Hole, Left Hand Bowl 5110515  
1 Tap Hole, Right Hand Bowl 5110516



CLARK RECOMMENDS

▶ **RADIANT  
SINGLE END BOWL**  
5110276 (No Tap Hole)



- Available with 0 or 1 tap hole
- Available with left or right hand bowl
- Includes basket waste
- 304 grade stainless steel
- Polished finish
- Bowl volume : 21L

**Also available as:**  
1 Tap Hole, Left Hand Bowl 5110278  
1 Tap Hole, Right Hand Bowl 5110277

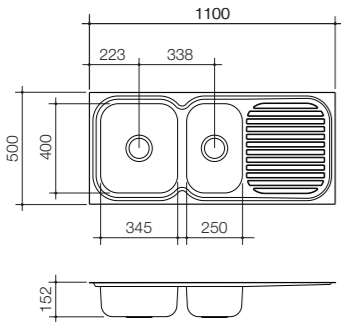


# 1.5 bowl with drainer.



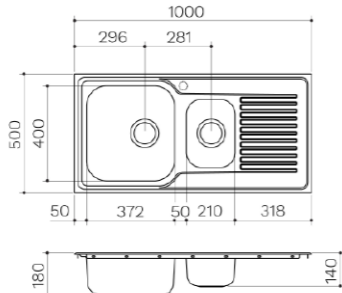
- RADIANT  
1.5 END BOWL**  
5110281 (1 Tap Hole, Left Hand Bowl)
- Available with left or right hand bowl
  - Includes basket wastes
  - 304 grade stainless steel
  - Polished finish
  - Bowl volume : 18L (L), 12L (S)

**Also available as:**  
1 Tap Hole, Right Hand Bowl 5110280



- PUNCH  
1.5 END BOWL**  
5110507 (1 Tap Hole, Left Hand Bowl)
- Available with 0 or 1 tap hole
  - Available with left or right hand bowl
  - Includes basket waste
  - 304 grade stainless steel
  - Polished finish
  - Bowl volume : 21L (L), 5.5L (S)

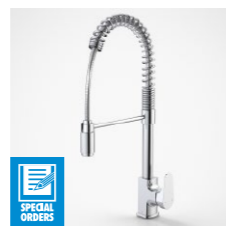
**Also available as:**  
0 Tap Hole 5110506



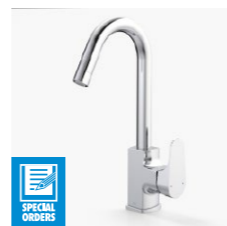
## CLARK RECOMMENDS



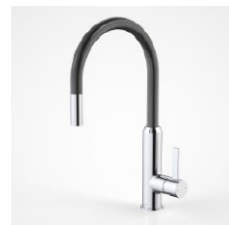
**DORF VIXEN  
RETRACTABLE SINK MIXER**  
5003372  
WELS 4 star rated, 7.5L/min



**DORF VIRIDIAN  
PULL DOWN SINK MIXER**  
5003098  
WELS 4 star rated, 7.5L/min



**DORF VIRIDIAN  
SINK MIXER**  
5003097  
WELS 4 star rated, 7.5L/min



**DORF VIXEN  
RETRACTABLE SINK MIXER**  
5003232  
WELS 4 star rated, 7.5L/min



**DORF OBSIDIAN  
SINK MIXER**  
5003225  
WELS 4 star rated, 7.5L/min



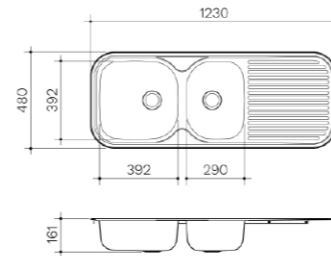
**DORF REN  
SINK MIXER**  
5004379  
WELS 4 star rated, 7.5L/min

# 1.75 bowl with drainer.



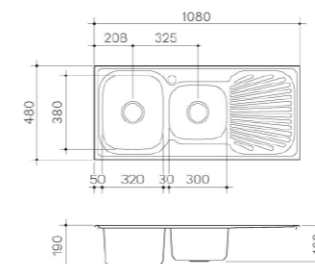
- ADVANCE  
1.75 END BOWL**  
5110678 (1 Tap Hole, Left Hand Bowl)
- Available with 0 or 1 tap hole
  - Available with left or right hand bowl
  - Includes basket wastes
  - 304 grade stainless steel
  - Polished finish
  - Bowl volume : 18.5L (L), 13.3L (S)

**Also available as:**  
0 Tap Hole 5110589  
1 Tap Hole, Right Hand Bowl 5110686



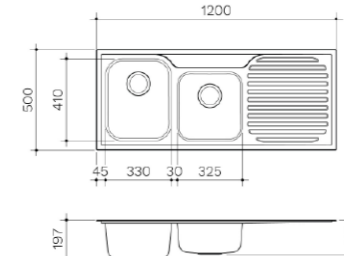
- VITAL  
1.75 END BOWL**  
5110289 (No Tap Hole)
- Available with 0 or 1 tap hole
  - Available with left or right hand bowl
  - Includes basket wastes
  - 304 grade stainless steel
  - Polished finish
  - Bowl volume : 19L (L), 11L (S)

**Also available as:**  
1 Tap Hole, Left Hand Bowl 5110291  
1 Tap Hole, Right Hand Bowl 5110290



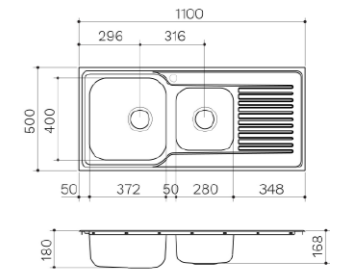
- MONACO  
1.75 END BOWL**  
5110178 (No Tap Hole, Left Hand Bowl)
- Available with 0 or 1 tap hole
  - Available with left or right hand bowl
  - Includes bamboo board and stainless steel colander set and basket wastes
  - Rear positioned waste creates more usable underbench space
  - 304 grade stainless steel
  - Polished finish
  - Bowl volume : 20.2L (L), 14L (S)

**Also available as:**  
0 Tap Hole, Right Hand Bowl 5110179  
1 Tap Hole, Left Hand Bowl 5110180  
1 Tap Hole, Right Hand Bowl 5110182



- PUNCH  
1.75 END BOWL**  
5110494 (1 Tap Hole, Left Hand Bowl)
- Available with left or right hand bowl
  - Includes basket wastes
  - 304 grade stainless steel
  - Polished finish
  - Bowl volume : 21L (L), 11L (S)

**Also available as:**  
1 Tap Hole, Right Hand Bowl 5110495



## CLARK RECOMMENDS

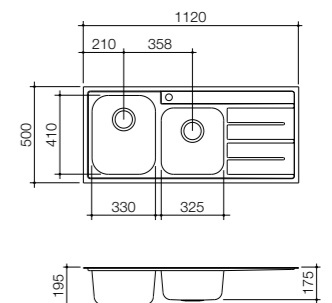
### MANTRA 1.75 END BOWL

5110453 (1 Tap Hole, Left Hand Bowl)



- Available with left or right hand bowl
- Includes basket wastes, bamboo board and stainless steel colander set
- Rear positioned wastes creates more usable underbench space
- 304 grade stainless steel
- Polished finish
- Bowl volume : 23L (L), 14L (S)

**Also available as:**  
1 Tap Hole, Right Hand Bowl 5110454



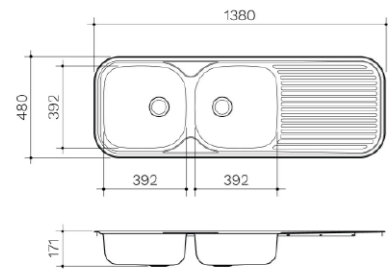
# Double bowl with drainer.



## ADVANCE DOUBLE END BOWL

- 5111137 (1 Tap Hole, Left Hand Bowl)
- Available with 0 or 1 tap hole
  - Available with left or right hand bowls
  - Includes basket wastes
  - 304 grade stainless steel
  - Polished finish
  - Bowl volume : 20L per bowl

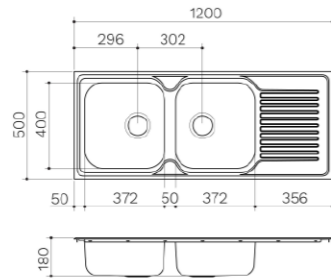
**Also available as:**  
 0 Tap Hole 5111129  
 1 Tap Hole, Right Hand Bowl 5111145



## PUNCH DOUBLE END BOWL

- 5110511 (1 Tap Hole, Left Hand Bowl)
- Available with left or right hand bowl
  - Includes basket wastes
  - 304 grade stainless steel
  - Polished finish
  - Bowl volume : 21L per bowl

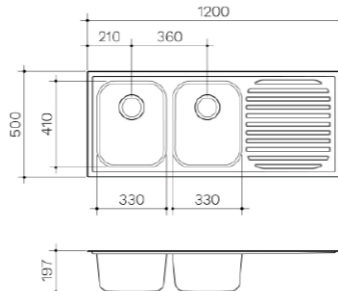
**Also available as:**  
 1 Tap Hole, Right Hand Bowl 5110512



## MONACO DOUBLE END BOWL

- 5110390 (No Tap Hole, Left Hand Bowl)
- Available with 0 or 1 tap hole
  - Available with left or right hand bowls
  - Includes basket wastes, bamboo board and stainless steel colander set
  - Rear positioned waste creates more usable underbench space
  - 304 grade stainless steel
  - Polished finish
  - Bowl volume : 20.2L per bowl

**Also available as:**  
 0 Tap Hole, Right Hand Bowl 5110391  
 1 Tap Hole, Left Hand Bowl 5110392  
 1 Tap Hole, Right Hand Bowl 5110394



Pictured:  
**VITAL DOUBLE END BOWL**  
 5110292

### CLARK RECOMMENDS

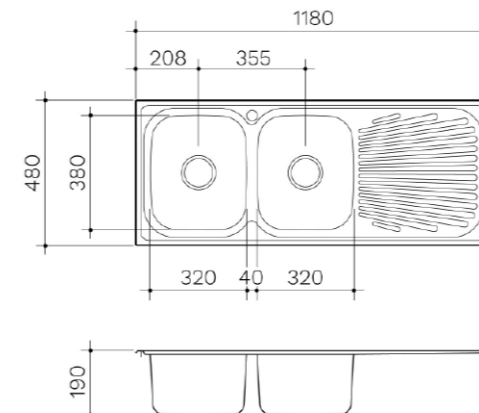
## VITAL DOUBLE END BOWL

5110292 (No Tap Hole)



- Available with 0 or 1 tap hole
- Available with left or right hand bowls
- Includes basket wastes
- 304 grade stainless steel
- Polished finish
- Bowl volume : 19L per bowl

**Also available as:**  
 1 Tap Hole, Left Hand Bowl 5110272  
 1 Tap Hole, Right Hand Bowl 5110271



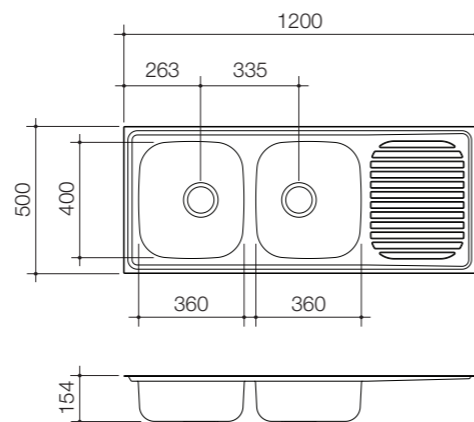
### CLARK RECOMMENDS

## RADIANT DOUBLE END BOWL

5110284 (1 Tap Hole, Left Hand Bowl)

- Available with left or right hand bowls
- Includes basket wastes
- 304 grade stainless steel
- Polished finish
- Bowl volume : 20L per bowl

**Also available as:**  
 1 Tap Hole, Right Hand Bowl 5110283



**LIFETIME WARRANTY**

**1 YEAR**

Replacement Products or Parts and Labour



Australian Owned, Designed and Engineered



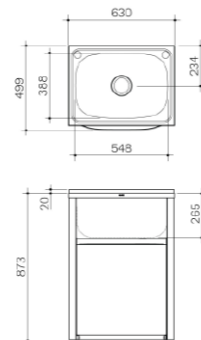
Pictured:  
**UTILITY MINI LAUNDRY TUB AND CABINET**  
0135990

# Laundry sinks.



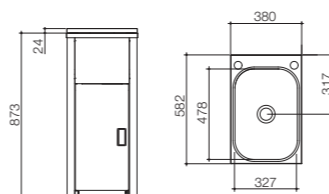
**EUREKA**  
**45L STANDARD TUB AND CABINET**  
5110462

- Includes basket waste and child resistant latch
- 304 grade stainless steel tub with a rust-proof, Permacoat® cabinet
- Bowl volume : 45L
- Includes single by-pass kit
- Includes side entry suitable for concealed washing machine taps



**STYLUS**  
**35L COMPACT TUB AND CABINET**  
4870074

- Includes basket waste
- 304 grade stainless steel tub with a rust-proof, Permacoat® cabinet
- Bowl volume : 35L
- Includes single by-pass kit
- Includes side entry suitable for concealed washing machine taps

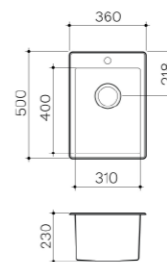


**SQUARE**  
**25L LAUNDRY SINK**  
107121 (No Tap Hole)

- Available with 0 or 1 tap hole
- Compact design
- 304 grade stainless steel
- Includes stainless steel basket waste
- Concealed by-pass
- Bowl volume : 25L
- Overmount installation

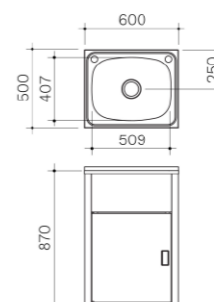
**Also available as:**  
1 Tap Hole

107122



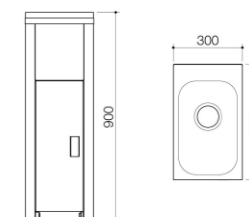
**UTILITY**  
**42L STANDARD TUB AND CABINET**  
5140036

- Includes basket waste
- 304 grade stainless steel tub with a rust-proof, Permacoat® cabinet
- Bowl volume : 42L
- Includes single by-pass kit
- Includes side entry suitable for concealed washing machine taps



**UTILITY**  
**MINI LAUNDRY TUB AND CABINET**  
135990

- The most compact and space efficient tub and cabinet on the Australian market
- Ideal for small narrow areas and laundry cupboards
- Includes basket waste
- 304 grade stainless steel tub with a rust-proof, Permacoat® cabinet
- Bowl volume : 16.5L
- Includes single by-pass kit
- Includes side entry suitable for concealed washing machine taps



**LIFETIME**  
WARRANTY

**1**  
YEAR

Replacement Products  
or Parts and Labour



Australian Owned,  
Designed and Engineered



# How It Works


It's as simple as 1,2,3! Follow the steps shown to purchase or order your product. If you need further advice, speak to a team member at the Special Orders Desk in-store.

## 1. Select The Product You Want

View the extensive range available in this brochure or online. Use the number shown below to order your product online or in-store.


**CLARK RECOMMENDS**

**PRISM DOUBLE BOWL OVERMOUNT/UNDERMOUNT**  
5110486



- Includes basket wastes
- Rear positioned waste creates more usable underbench space
- 304 grade stainless steel
- 10mm bowl radius
- Polished finish
- Bowl volume : 3L per bowl
- Optional accessories available

Item Number



**MONACO SINGLE END BOWL**  
5110293

- No Tap Hole, Left Hand Bowl
- Available with 0 or 1 tap hole
- Available with left or right hand bowl
- Includes basket wastes, bamboo board and stainless steel colander set
- Rear positioned waste creates more usable underbench space
- 304 grade stainless steel

## 2. Order Online or at the Special Orders Desk

After you have selected the product you want, take this brochure to the Special Orders Desk or order online at [bunnings.com.au](http://bunnings.com.au)

## 3. Get it home

### We Will Deliver

Delivery to your home or site can be arranged online or in-store when purchasing your products.

### Pick-Up In-Store

If you decide to pick-up in-store and need help to get it home, you can:

- borrow a courtesy trailer
- hire a vehicle

Check with your local Bunnings store for availability.



9

Item No: 999975 V07/20