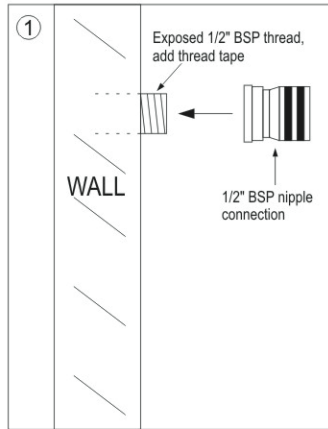
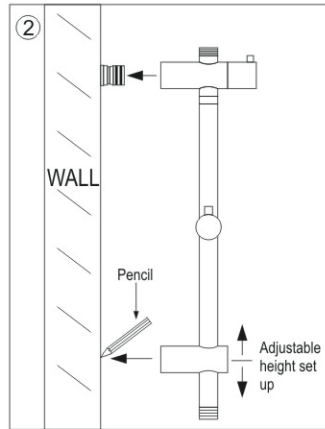


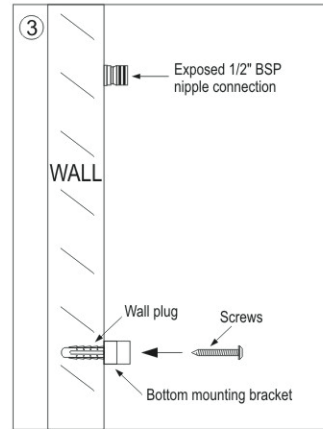
Exposed Shower on Rail - Round PLUMBERS INSTALLATION INSTRUCTIONS



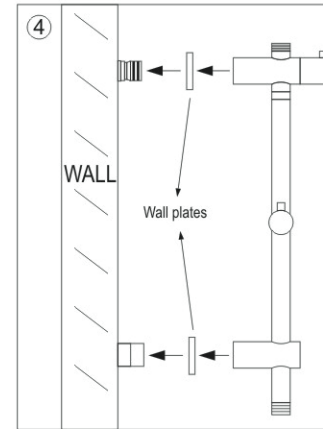
Apply thread tape before installing the 1/2" BSP nipple connection. NOTE- the spanner drive must be closest to the wall & finish flush.



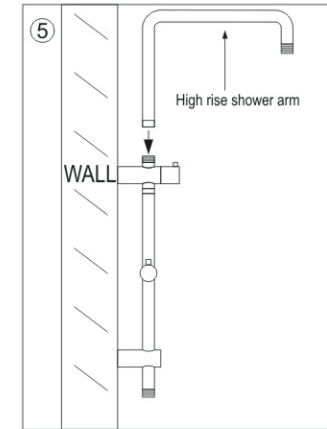
Mark out the desired bottom mounting brackets fixing location on the wall as shown in the diagram above.



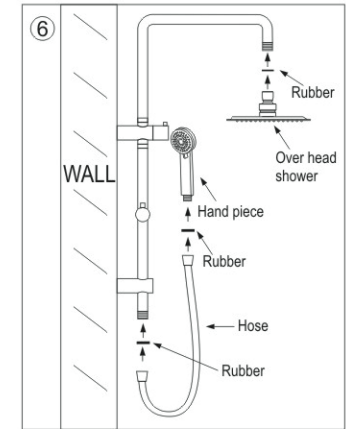
Install the bottom mounting bracket onto the wall using the wall plugs & screws provided ensure the appropriate drill bit is used for your wall.



Install the exposed shower rail onto the 2 exposed wall fixing points. Lock into position using the grub screws & allen keys provided.



Insert the high rise shower arm onto the exposed rail. Ensure that the 2 rubber seals are engaged. Lock into position with the hand tighten locking nut. If a good seal is not achieved you can nip it up, but take care to protect the chrome from the tool being used.



Connect the hose to the bottom of the exposed rail & to the hand piece using the rubber washers provided. Then connect the over head shower to the high rise shower arm using the rubber washers provided.

Working Specifications:

In accordance with Australian standards requirements it is recommended that all tapware be installed by a licensed plumber. Please refer to the warranty card for service agreement.

- * Hot and cold water inlet pressures should be equal. Inlet pressure range: 150–1000 kPa **NOTE** - New Regulation: – 500 kPa maximum operating pressure at any outlet within a building. (Ref. AS/NZS 3500. 1–2003, Clause 3.3.4)
- * All pipework must be thoroughly flushed prior to installation, as foreign materials may block the flow regulating device and reduce the flow of water. Aerator insert housing must be retightened to prevent removal by hand.
- * This product has a low flow rate and may not be suitable for connection to some Instantaneous Gas Water Heaters, some Tempering Valves, some Solar Water Heaters & some Thermostatic Mixing Valves. Check with the manufacturers of these products.
- * Not recommended for gravity feed systems, tank water systems or bore water systems.

CARING FOR YOUR PRODUCT

- * Under no circumstances should you install tapware using acetone silicones.
- * Never use harsh detergents or abrasive cleaners, as these will scratch the surface. Using a soft dry cloth or a soft cloth with warm soapy water is recommended.
- * Where your tapware remains dry in use, a soft cloth can be used to remove surface dust. Alternatively, a wipe over with warm soapy water is all that is required to maintain the finish in perfect condition for a lifetime of use.
- * Use of wax based furniture cream should be avoided as these can result in a build up of deposits, which could detract from the appearance.
- * Do not use undue pressure and wipe in one direction only.