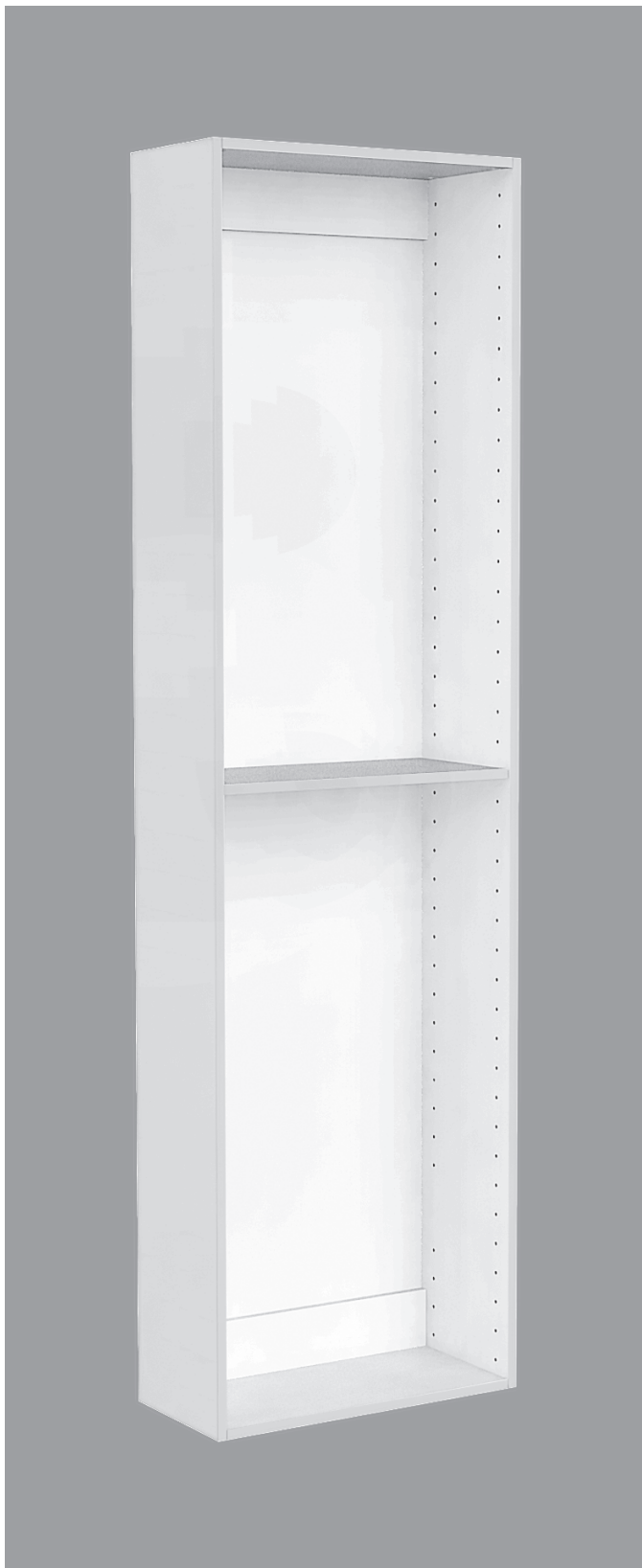


LUGNA

FORM & FUNCTION



ASSEMBLY INSTRUCTIONS

CABINET SHELL

HEIGHT
1536mm

HEIGHT
2048mm

LUGNA understands the importance of timeless style and practical durability for a home's form and function. Our European-inspired collection is simple and easy to use, with five modern colours that complement any style and space. LUGNA's modular system allows for endless configurations and additions, with various-sized cabinets, drawers, shelving, and hinged doors that can be combined to create a bespoke look on any budget. Whether you're looking for something modern and sleek or classic and elegant, LUGNA has something for everyone.



SCAN TO PLAN

Plan your space with
our online planner

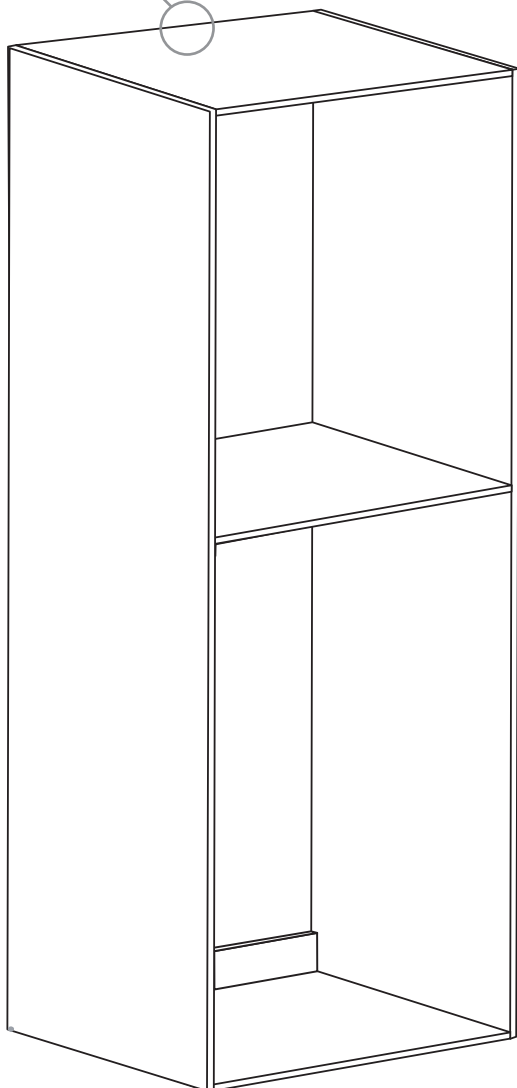
10 YEAR
WARRANTY



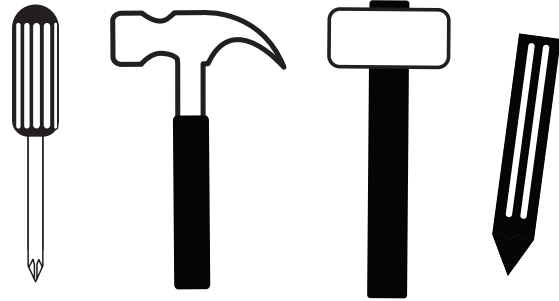


WARNING

Serious injury or death can be caused by toppling furniture. Attach unit to wall using safety bracket provided. Fix bracket in middle of unit with 16mm screw. Fix to wall stud using 25mm screw. For other wall types use suitable fixings (not provided).

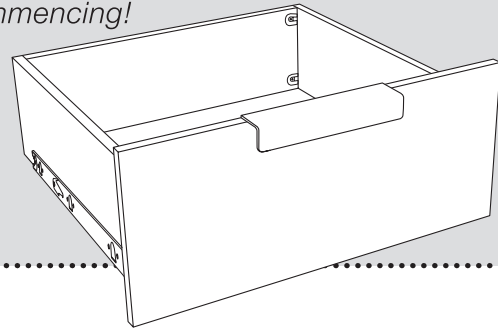


What you will need



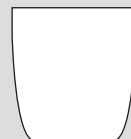
Before Commencing!

If fitting drawers, this can impact on the location of the fixed shelf. Please refer to instructions included with drawers before commencing!



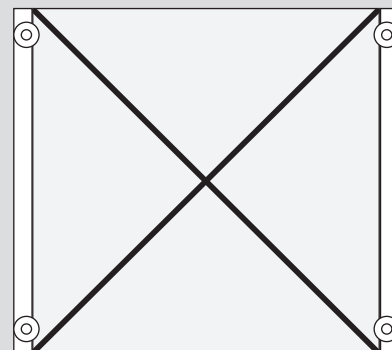
Carpet Floors

When installing the cabinet on carpet floors, the carpet can prevent the bottom drawers or doors from opening. To fix this, raise the cabinet slightly by installing the optional foot mounts at the cabinet's bottom flush with the cabinet sides.



4x

Foot Mounts



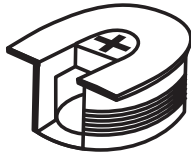
WARNING!
Do not screw foot mounts to the base. Position the foot mounts to take the weight of the cabinet sides.

Includes



20x

Cam Lock
Screws



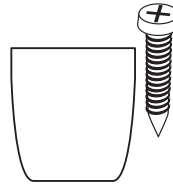
20x

Cam Lock
Nuts



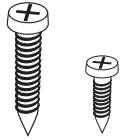
75x

Nails



4x

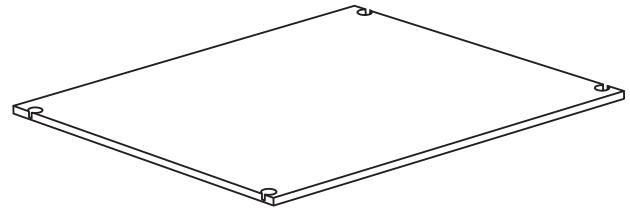
Foot Mounts



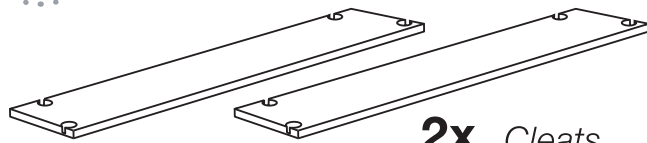
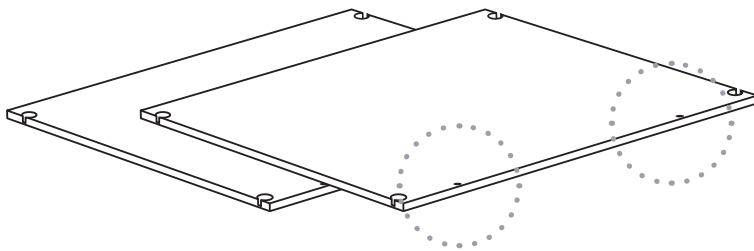
1x

Safety Bracket

1x Fixed Shelf

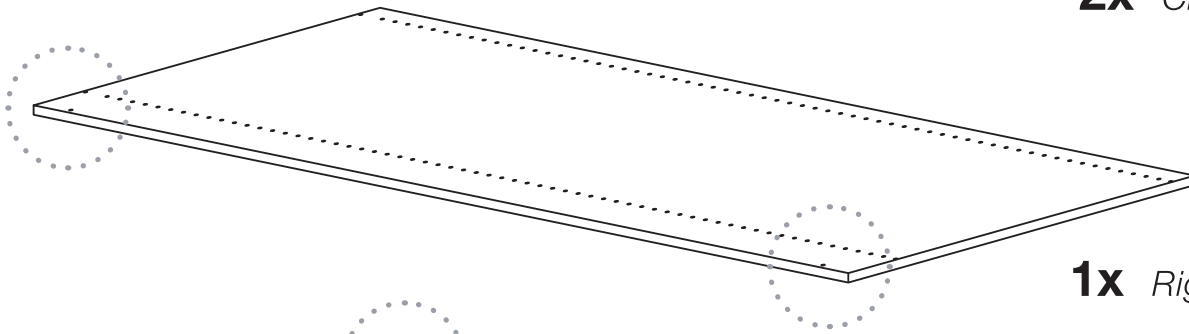


2x Top and Base

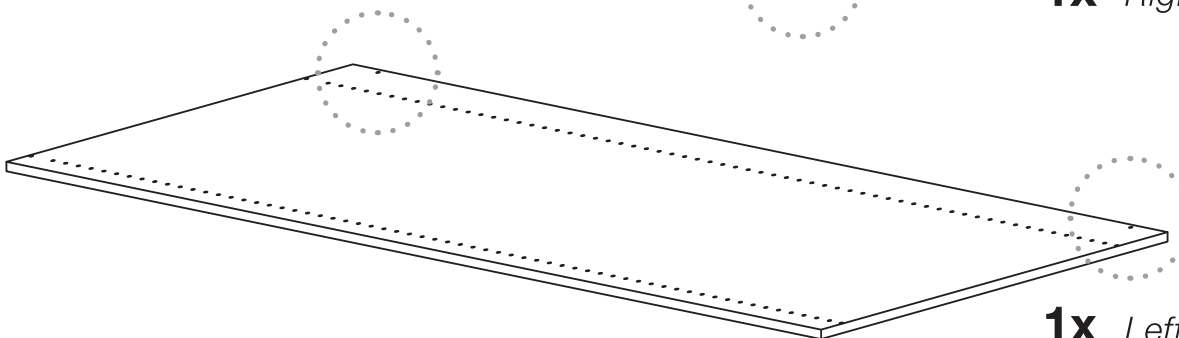


2x Cleats

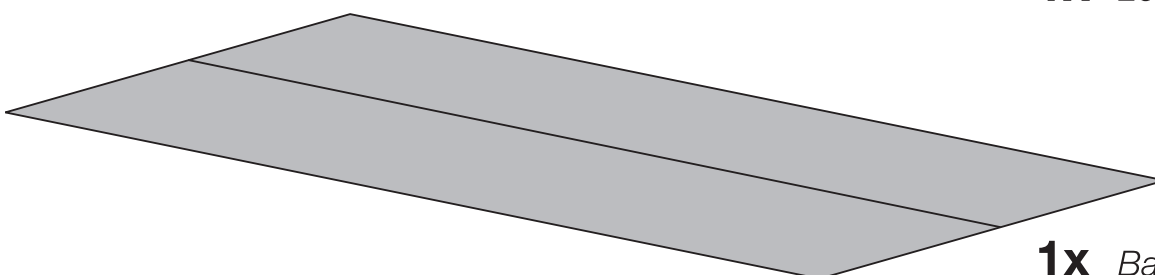
1x Right Side Panel



1x Left Side Panel



1x Back Panel



STEP 1

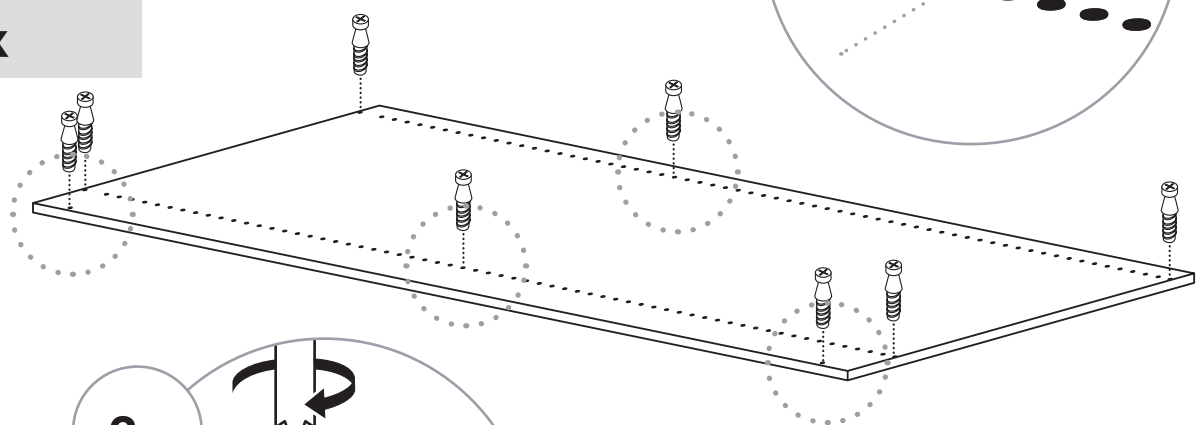
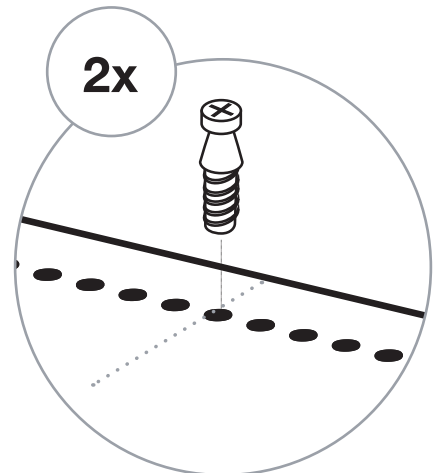
1x Right Side Panel



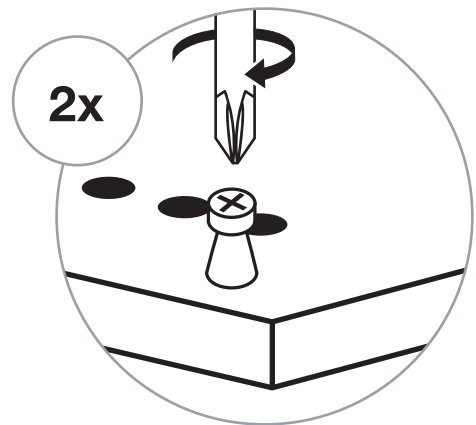
8x

Set the location of the fixed shelf to suit your configuration.

2x



2x



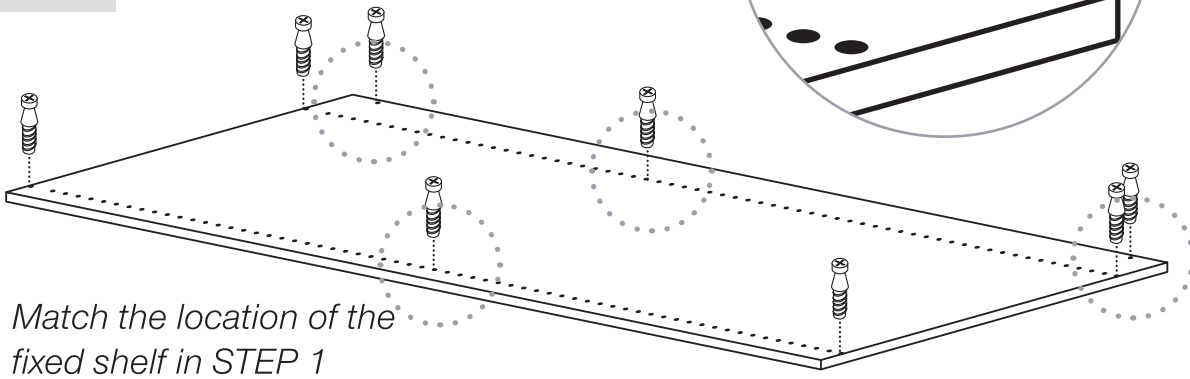
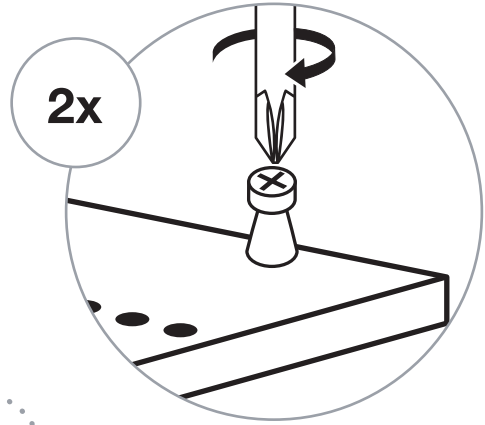
STEP 2

1x Left Side Panel



8x

2x



Match the location of the fixed shelf in STEP 1

STEP 3

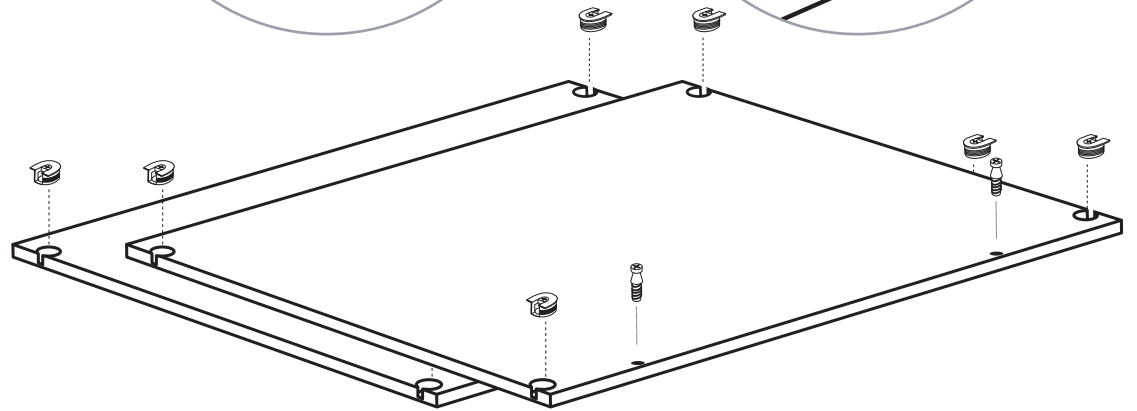
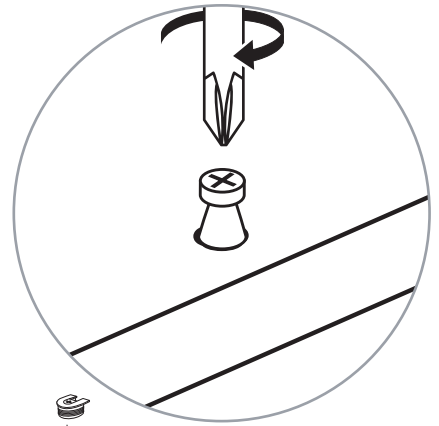
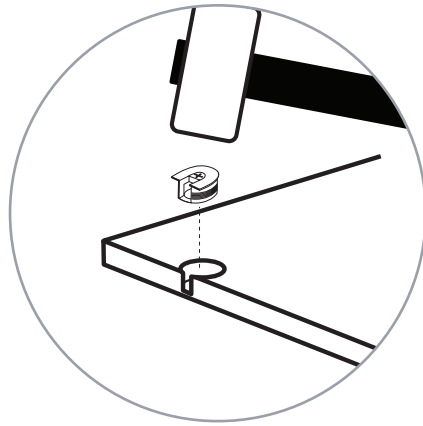
2x *Top and Base*



4x



8x

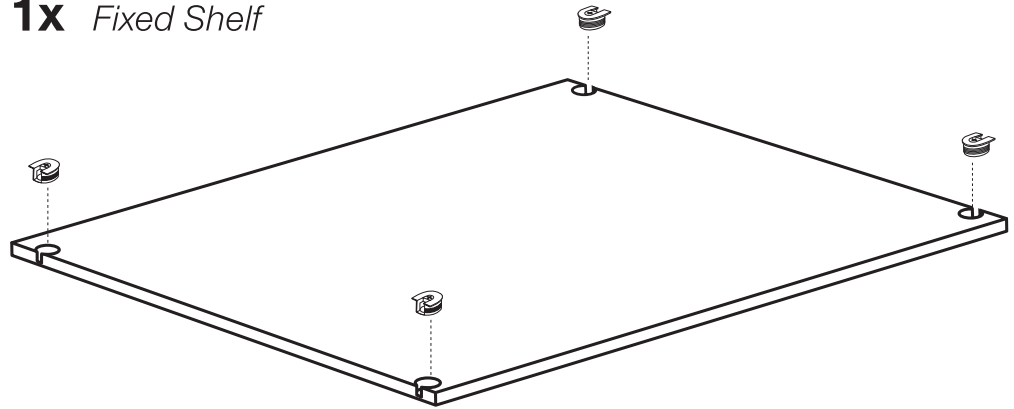


STEP 4

1x *Fixed Shelf*



4x

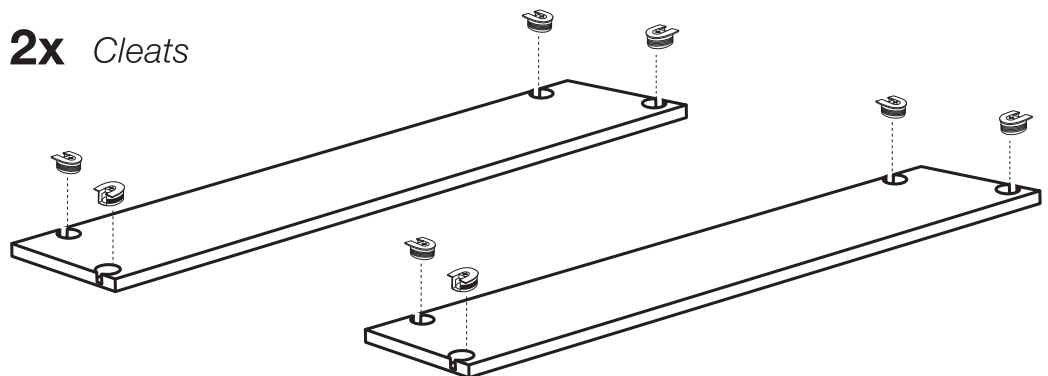


STEP 5

2x *Cleats*

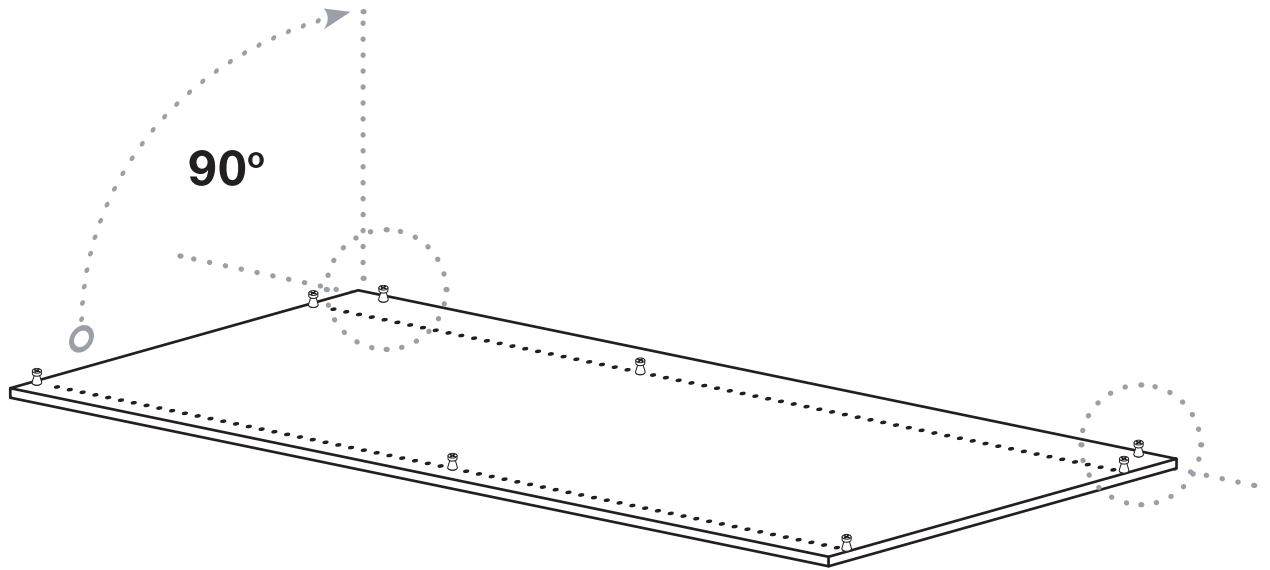


8x



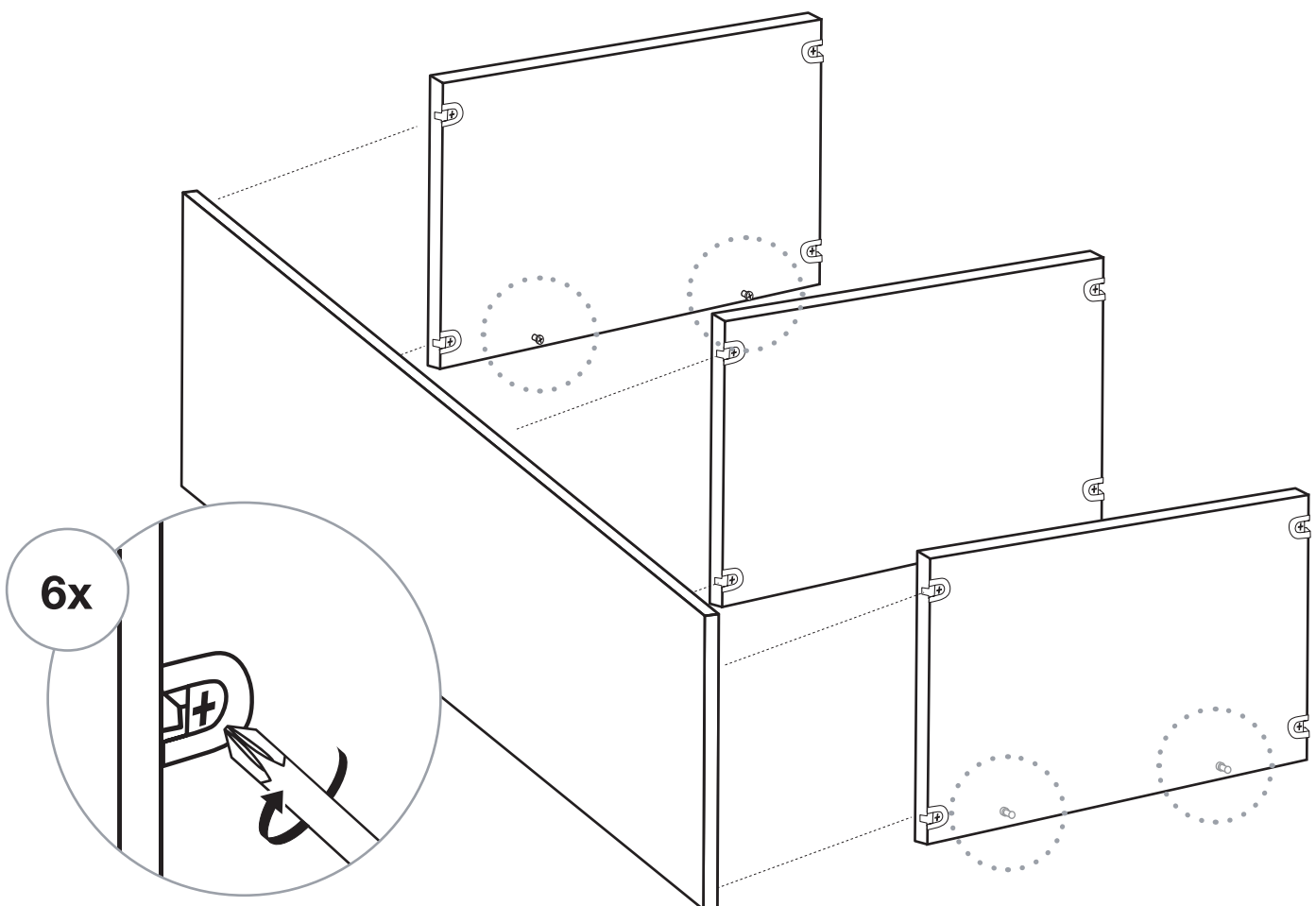
STEP 6

Rotate the Left Side Panel 90° – so that the two additional Cam Lock Screws are on the floor.



STEP 7

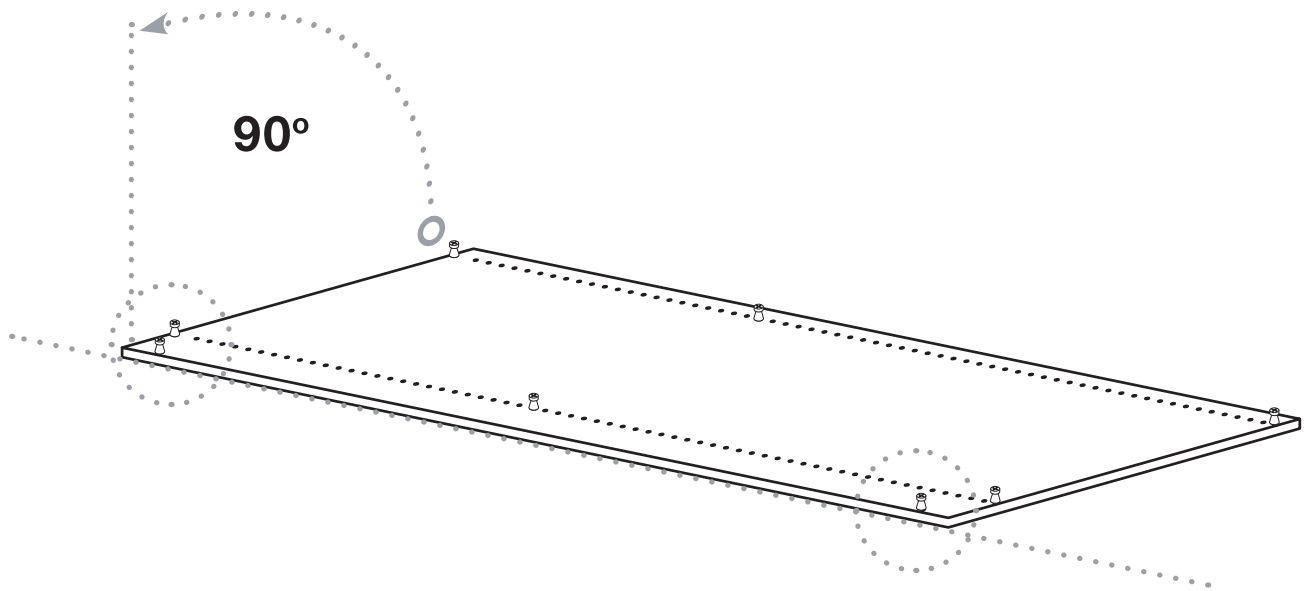
On the under side align the Top, Base and Fixed Shelf with the Cam Lock Screws. Tighten with a phillips head screwdriver.



Note – The Cam Lock Screws on the Top and Base should point to the inside of the cabinet. Rotate the panels so that the Cam Lock Screws are on the floor.

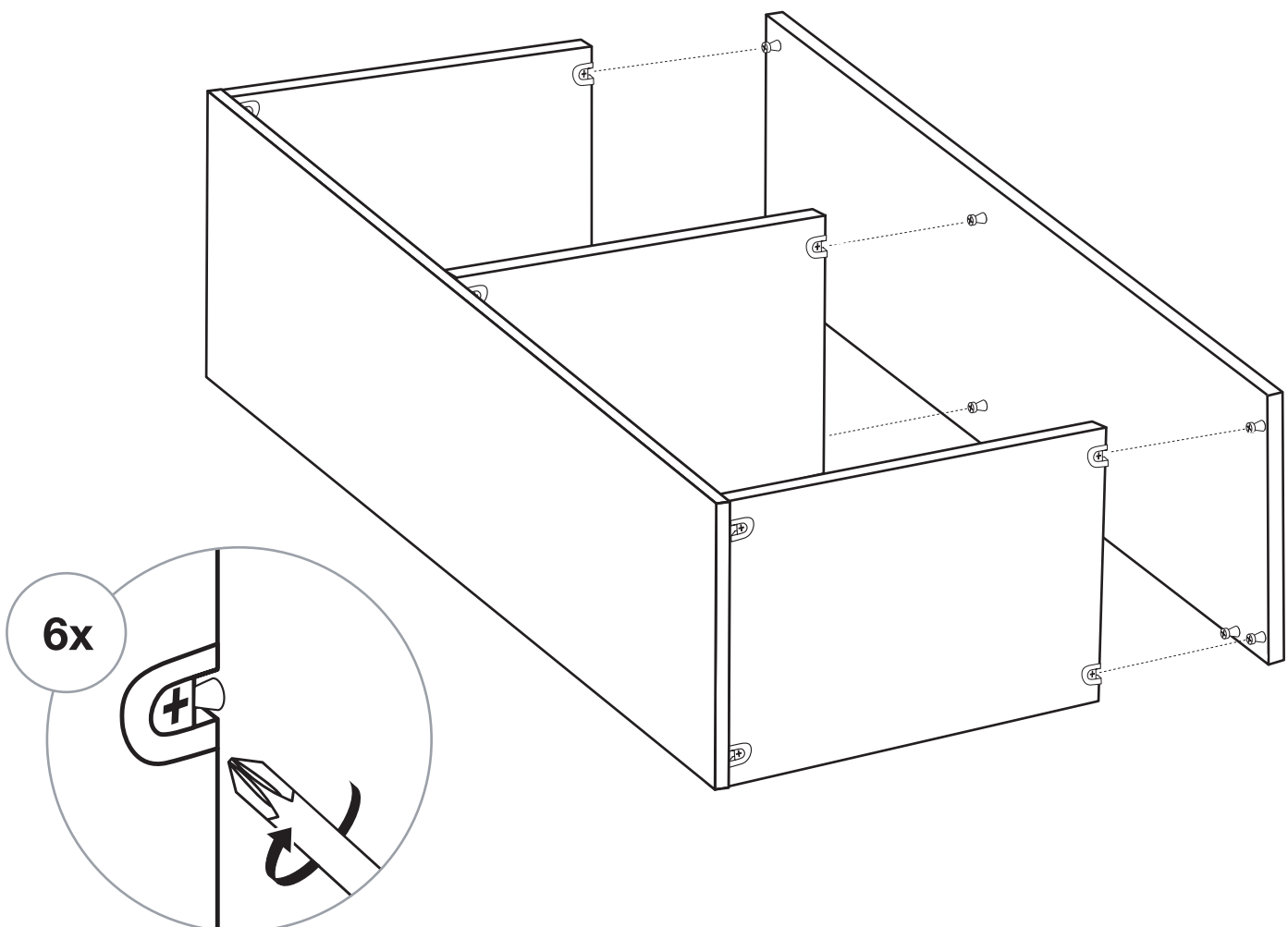
STEP 8

Rotate the Right Side Panel 90° – so that the two additional Cam Lock Screws are on the floor.



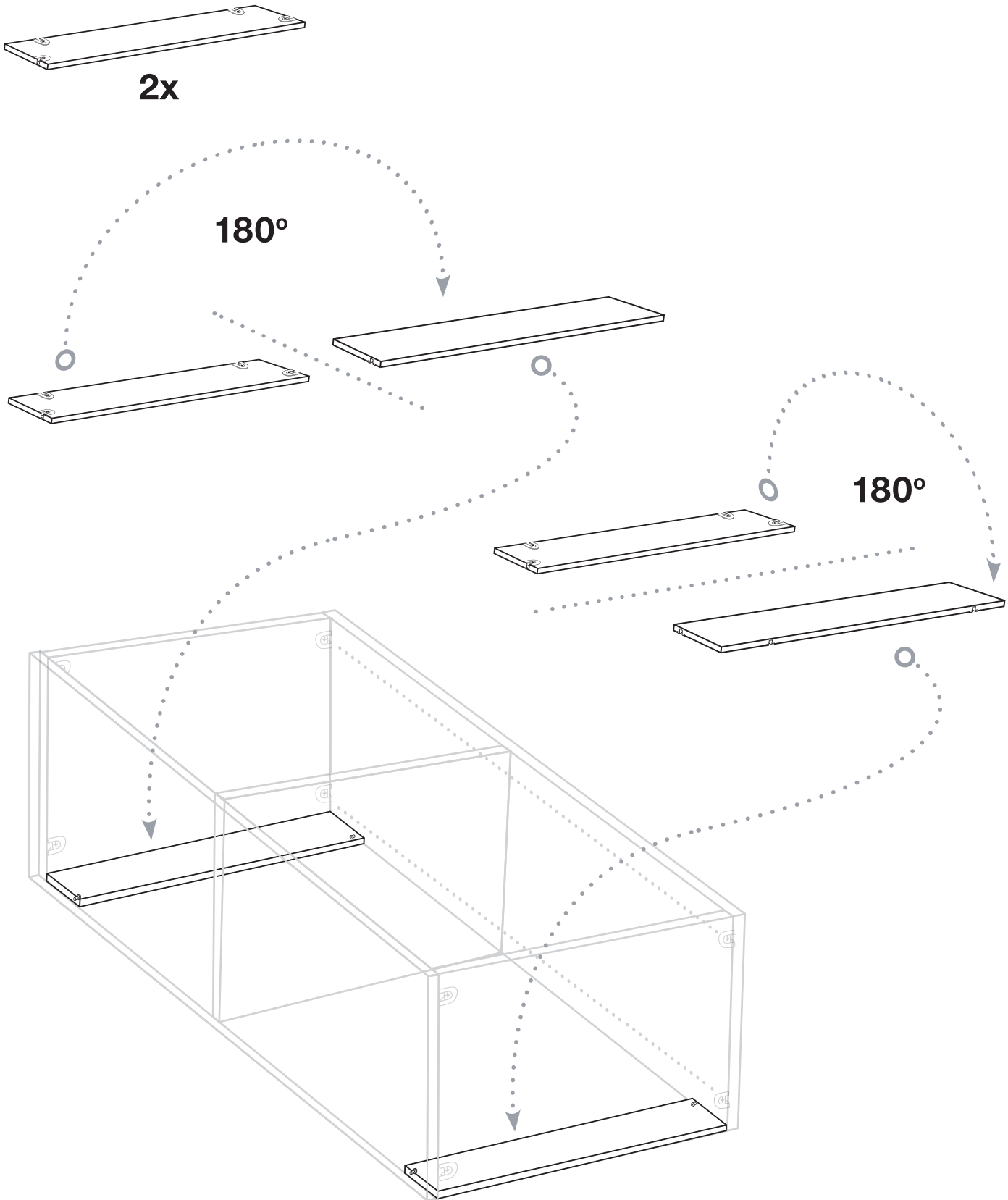
STEP 9

On the under side align the Top, Base and Fixed Shelf with the Cam Lock Screws. Tighten with a phillips head screwdriver.



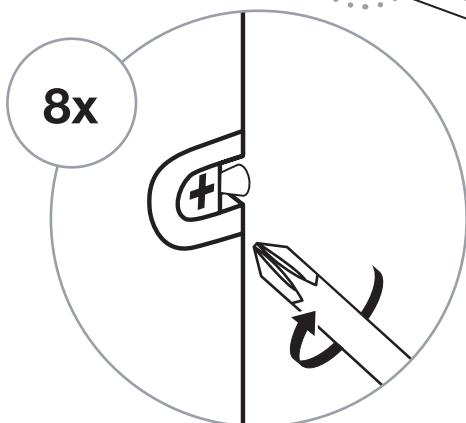
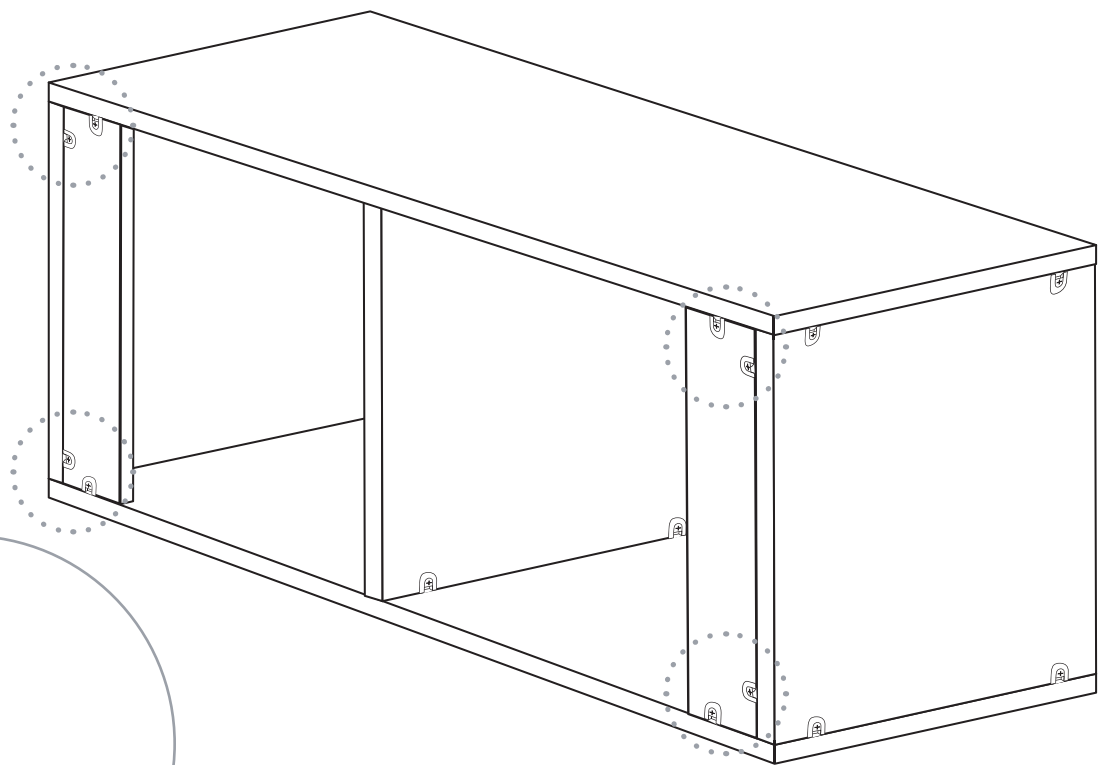
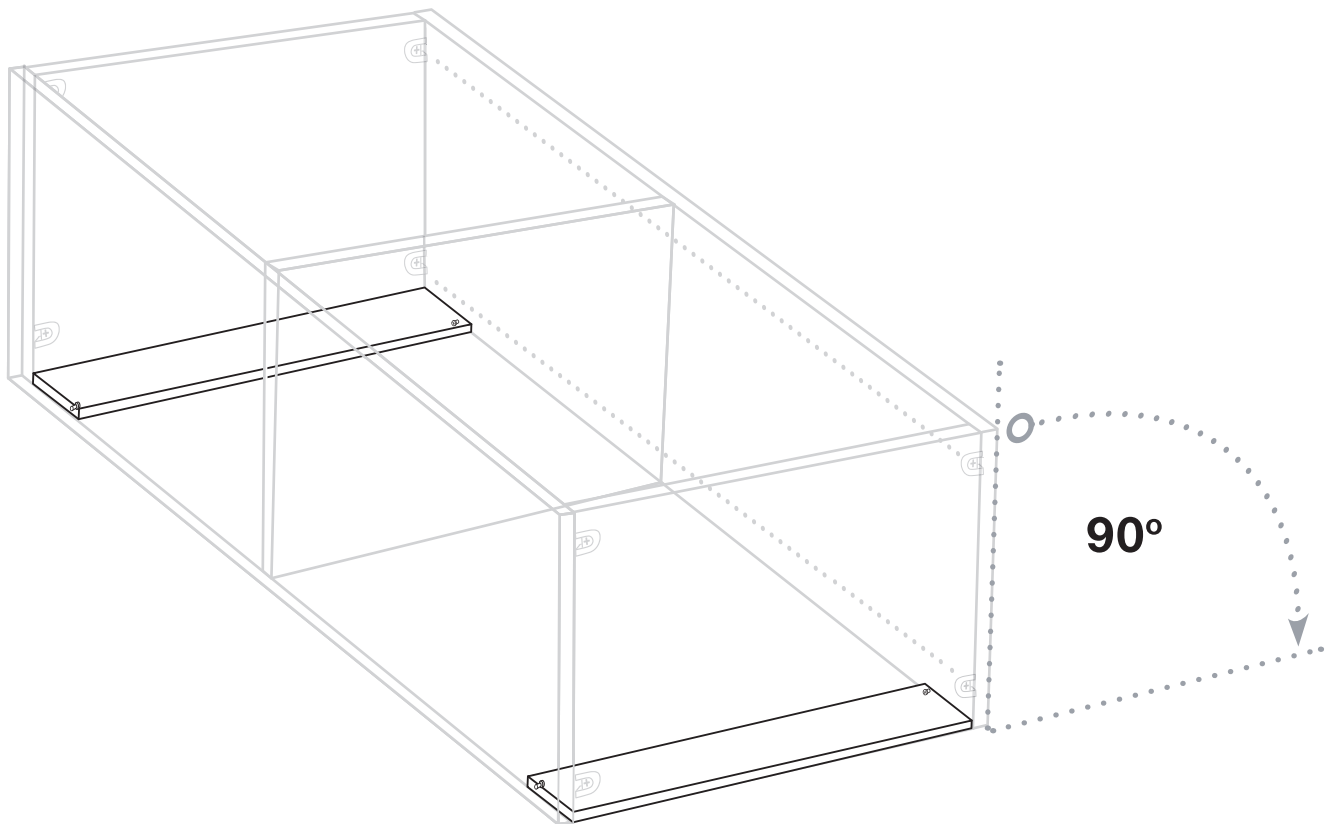
STEP 10

Rotate the Top and Bottom Cleats so that the Cam Lock Screws align inside the cabinet.



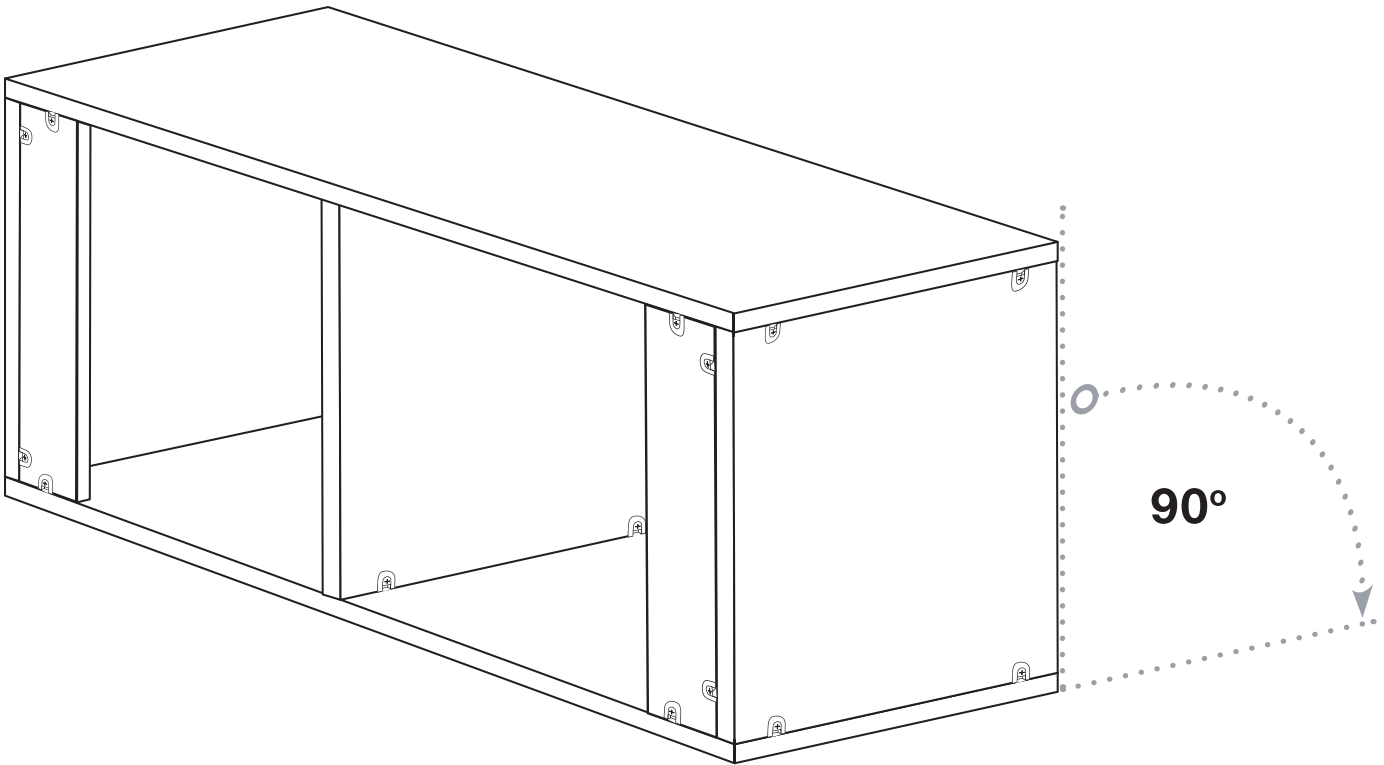
STEP 11

Rotate the cabinet 90° onto a side panel - to see the back of the cabinet.



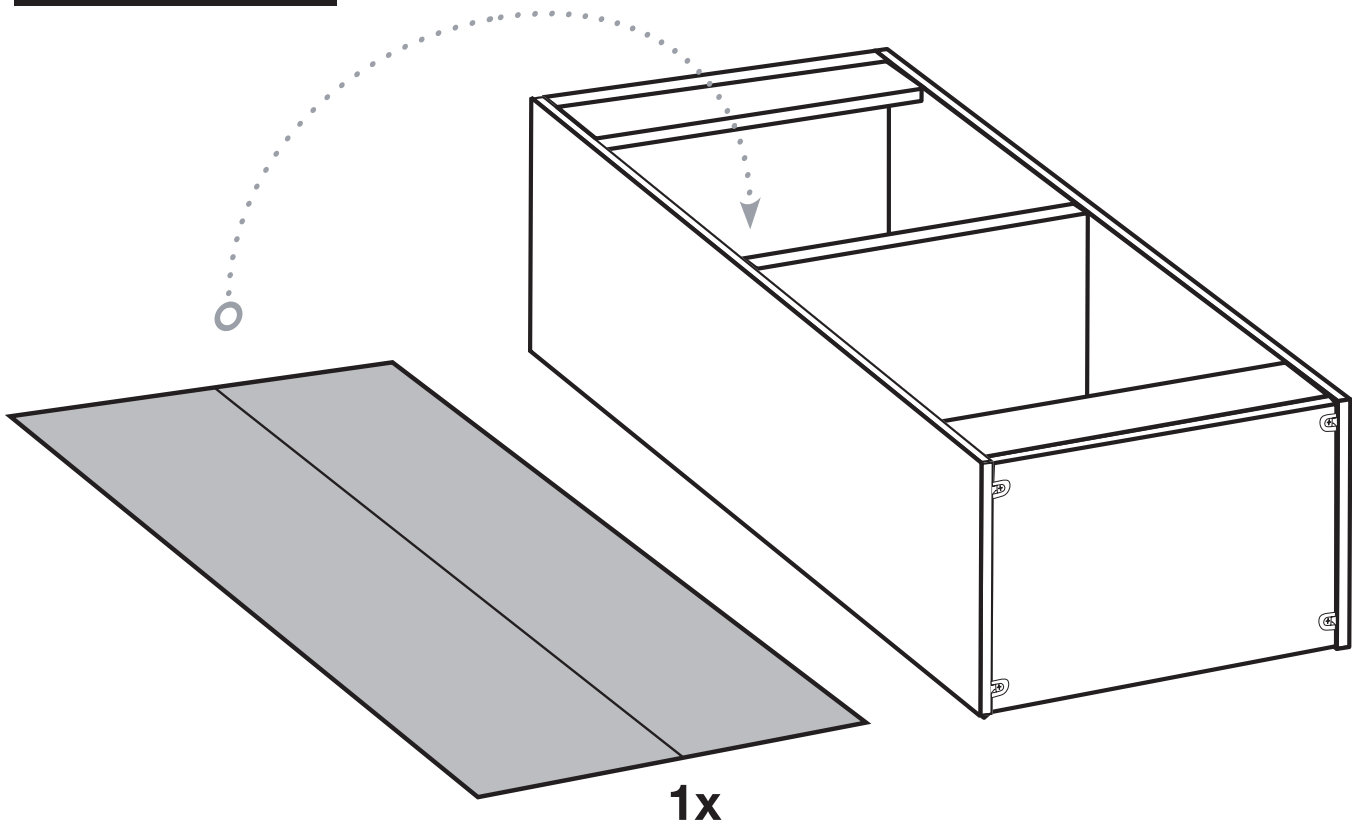
STEP 12

Rotate the cabinet 90° on to it's front - so that the back of the cabinet is facing up.



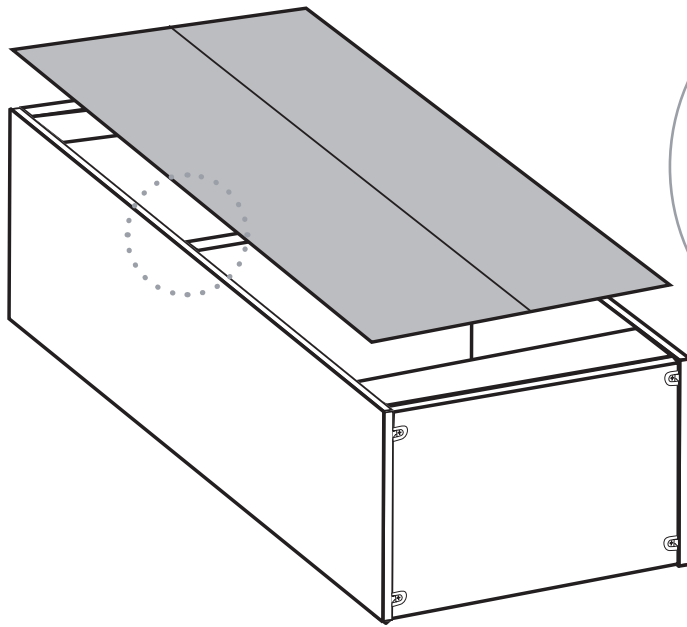
STEP 13

Place Backing Panel on to the back of the cabinet.



STEP 14

Mark the centreline for the fixed shelf.

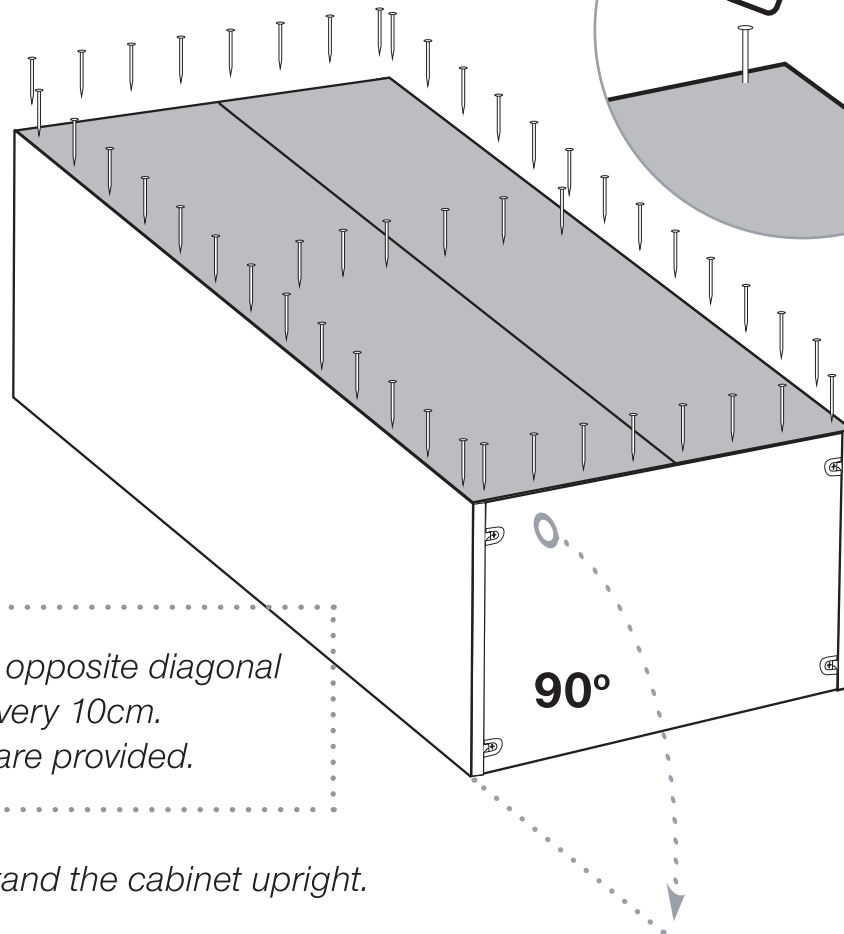


STEP 15



75x

Note – Start by nailing opposite diagonal corners. Space nails every 10cm. Additional spare nails are provided.



STEP 16

Stand the cabinet upright.



WARNING

The assembled cabinet will be heavy.

For your safety, a minimum of two people is recommended to lift the cabinet upright. Bend your knees and lift with your legs - not your back!

LUGNA

FORM & FUNCTION

CABINET CARE INSTRUCTIONS

Everyday care for your cabinets:

Liquid spills should be cleaned up as they occur. Liquids and other damp objects, i.e. towels, will eventually cause permanent damage should they be left unattended.

Everyday clean-up of cabinets can be done with a damp cloth and a dry cloth. Ensure you use a clean cloth every time when wiping down your cabinets, as foreign dirt, grease, and oils may inadvertently be transferred to the surface.

Cleaning melamine products:

Oils, grease, and other soils that do not respond to water can be removed with a solution of mild soap and water. The surface should be rinsed immediately with a clean, damp cloth and dried thoroughly with a soft cloth to avoid streaking or moisture seeping into the seams around the edges.

PLEASE NOTE: Never use abrasive cleaners, ammonia, bleaching agents, scouring pads or powdered cleaners on any type of cabinetry.

Cleaning cabinet hardware:

Brass and Silver cleaners are not recommended for cleaning handles. Some of these cleaning solutions contain harsh chemicals that may damage the finish on your handles.

Wash your hardware with a solution of warm water and a small amount of mild dish detergent. Dry your hardware and areas around the cleaned area immediately.

Hinges can be cleaned with a dry cloth or cotton-tipped swab.