

STEIN

GEORGIA SHOWER UNIT SQUARE (2 SIDED) AND ALCOVE



0224

IMPORTANT!

1. When you receive your Georgia Square Shower package please check for any freight damage.
2. If damage has occurred advise your supplier within 8 hours.
3. Do not install any faulty product as this will invalidate later claims.

BEFORE YOU START

1. Stein provides “Acrylic Pre-Install” Specifications for Build preparation, plumbing, tray and liner specs to ensure all steps have been adhered to prior to this current Acrylic Shower Installation.
2. Stein provides “Tile Pre-Install” Specifications for Build Preparation, Plumbing, QuickTile Tray Bases, Waterstops, and Waterproofing details. Shower Min to Max range is used in Tile applications.
3. Read these instructions, familiarise yourself with installation, tools required, and materials used.

HEALTH AND SAFETY



- Unpack glass, stand on soft packing on floor and walls prior to assembly.
- Do not rework glass panels as toughened glass will explode without warning.
- Don't strike an edge or corner of glass as this may explode or be unusable.
- Use two persons where heavy glass lifting is required.
- Wear appropriate protective clothing and eye protection during installation.
- Mark gas, waterpipes & electrical wire positions to ensure these are not touched.

WARRANTY

- This covers faulty goods but not breakages. Visit stein.nz for information.
- Compliance with Acrylic Pre-Install Specifications and these instructions are essential for a valid warranty.

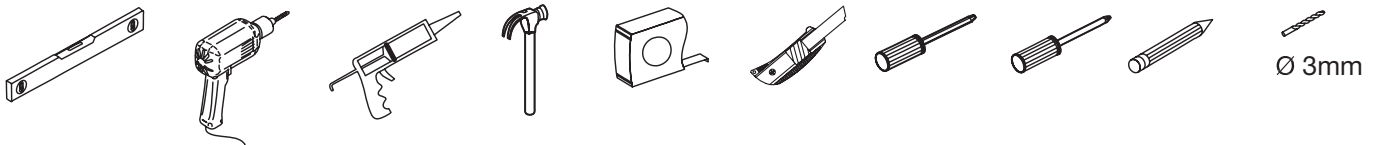
ATTENTION



- The Tray must be installed level as this base affects all shower alignments.
- Walls must be flat and plumb. A variation of 3mm to plumb within the shower height is a range that will enable adjustments to be readily obtained.
- 3- Sided Alcove Showers: Check the walls are as the specs in page 5 with no walls bowed or sloping inwards so the door set will fit.

Solid fixing of wall channels: A minimum of one stud with outside edge lined up to tray outside. It is the installers responsibility that the installation complies with all council regulations.

TOOLS REQUIRED (NOT SUPPLIED)



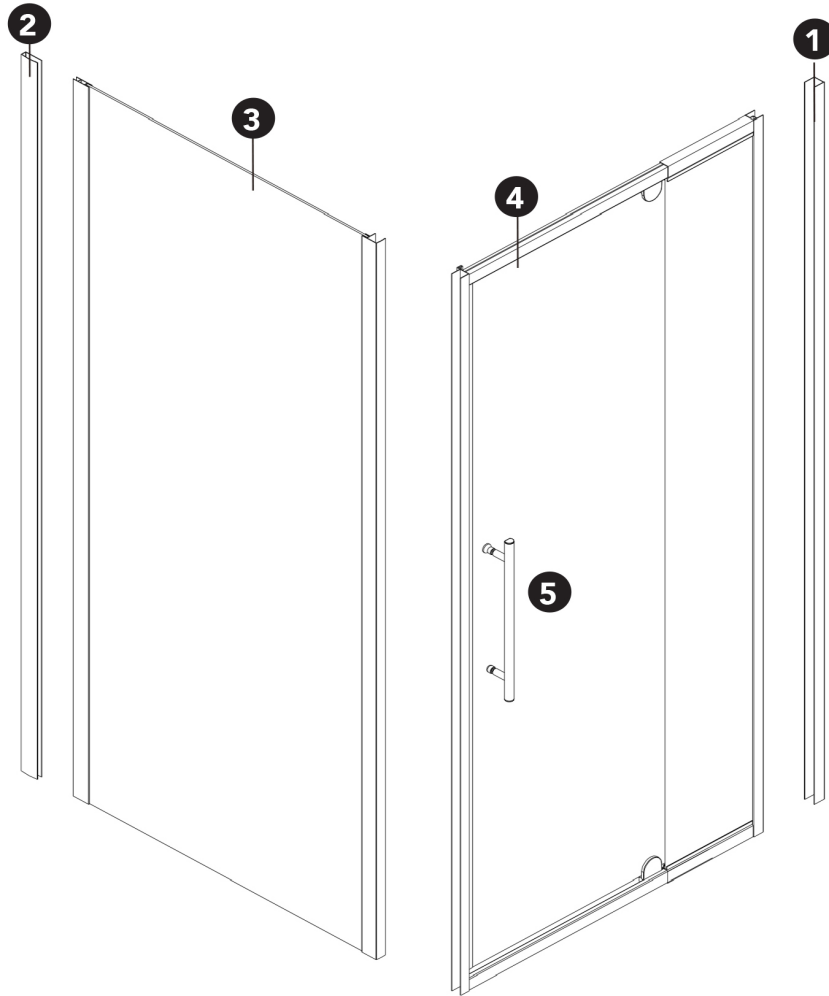
MATERIALS REQUIRED (NOT SUPPLIED)

- Rags and suitable cleaning materials
- Sika Silaflex NG Translucent

WE RECOMMEND A TRADESMAN FAMILIAR WITH THIS TYPE OF INSTALLATION

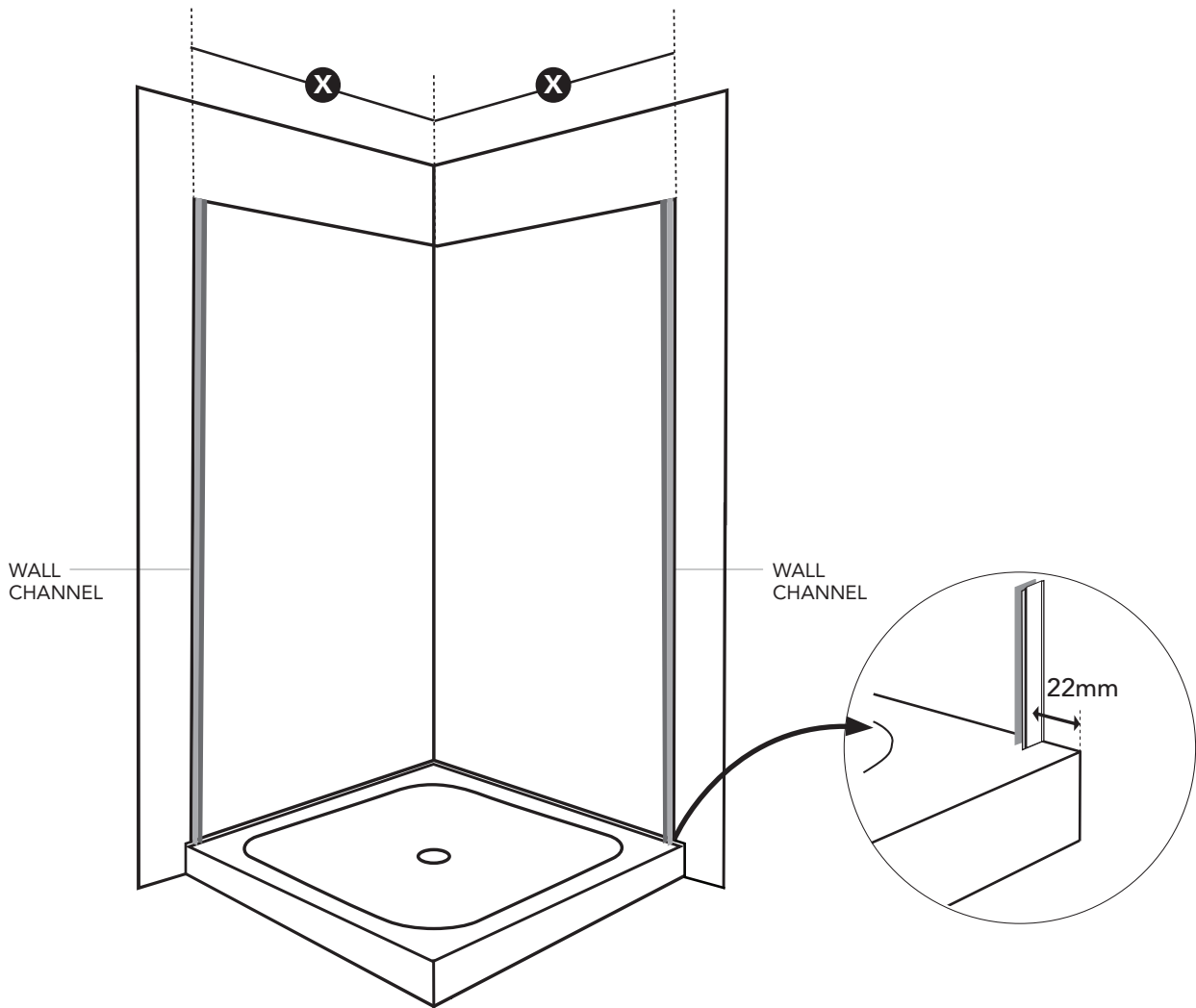
ASSEMBLY DIAGRAM

Before commencing installation, please ensure you have the following components in your package to complete installation.



REF	TICK	DESCRIPTION	PART NO.	QTY
1		Door Front Assembly Wall Channels	PAR5261/PAR7562	2
2		Return Panel Wall Channel	PAR5193	1
3		Fixed Return Panel		1
4		Door Front Assembly		1
5		Handle Set	PAR5049/PAR6633	1
6		Fixed Panel Screws 4 x 10mm	Screw Pack PAR7289/PAR8514	12
7		Fixed Panel Screw Caps		10
8		Wall Jamb Fixing Screws 3.5 x 35mm		6
9		Wall Plug (Concrete)		6
10		Pivot Block Set (1 Only)	PAR3243/PAR6640	
11		Pivot Cover Caps (1 Only)	PAR2000	
12		Deflector Seals (Back of Door and Front Fixed Glass)	STE2922	2
13		Bottom Door Seal	PAR7555	1

LAYOUT PLAN A - 2 SIDED



IMPORTANT:

1. Position the wall profiles at 22mm off the acrylic tray edge.
2. Recalculate the specific position if tray is not level, walls are out of plumb protruding or curving inwards more than 5mm.

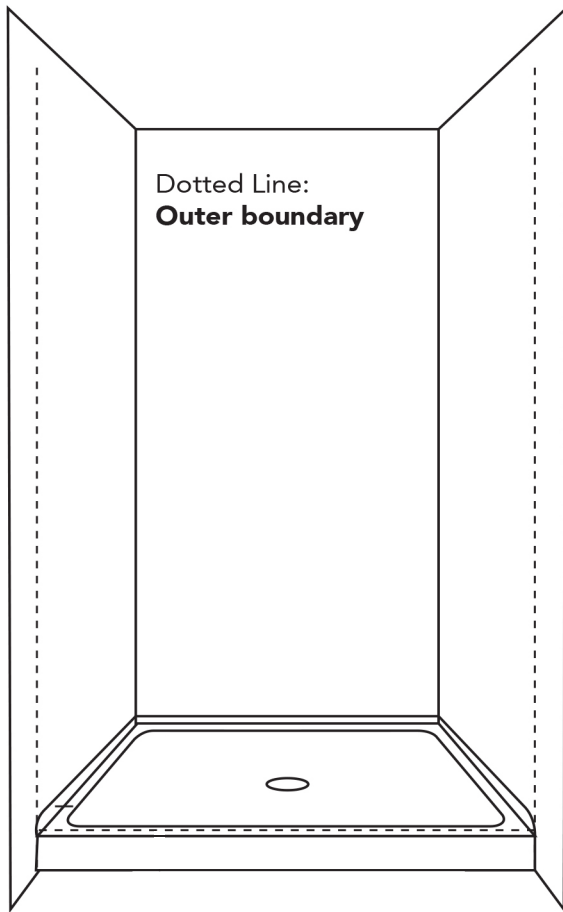
INSTALLATION STEPS: PAGE 5 TO 9

MINIMUM AND MAXIMUM TABLE

Wall out of plumb will not allow the full minimum / maximum range.

SHOWER TYPE	DOOR SET MIN/MAX	RETURN PANEL MIN/MAX
900 x 750 Square (2 Sided)	830mm to 910mm	710mm to 725mm
750 x 900 Square (2 Sided)	720mm to 770mm	860mm to 875mm
900x900 Square (2 Sided)	830mm to 910mm	860mm to 875mm
1000x1000 Square (2 Sided)	930mm to 1010mm	960mm to 975mm
1200 x 900 Square (2 Sided)	1130mm to 1210mm	860mm to 875mm
1200 x 1000 Square (2 Sided)	1130mm to 1210mm	960mm to 975mm

LAYOUT PLAN B - ALCOVE (DOOR ONLY)



GEORGIA 3-SIDED ALCOVE (DOOR SET ONLY)

Tray Sizes (Width) 900mm, 1000mm, & 1200mm

THIS IS A BRIEF OVERVIEW OF HOW TO SET UP A DOOR ASSEMBLY ONLY.

1. Mark outside of wall channels 18mm in from outside of acrylic tray edge.
2. Apply silicone to back of wall channels, screw in place and clean up excess silicone.
3. The door will be hinged nearest to the shower rose.
4. Decrease the Door Set within the frame to minimum, fit one side into wall channel, line up to opposite side and expand frame out to fully enter both wall channels.
5. Equalise door-set to sides, square up and fasten to wall channels.

Identify the tray size you are installing and check out table below. The tray manufacturer's tolerance is +/- 3mm. Rebate the bottom plate if clearance is required to fit.

Wall Framing: This must be as the table below. Walls must be plumb and flat for the liner to fit.

NOTE: Stein is not responsible for liner not fitting if framing doesn't comply to specs.

3-SIDED MEASUREMENTS TABLE ACROSS ALCOVE

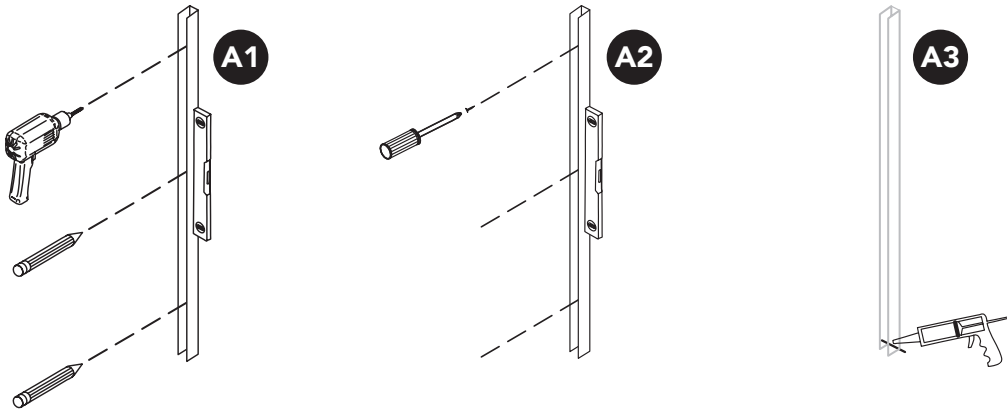
ACROSS TRAY & FRAME TO FRAME	WALLBOARD TO WALLBOARD	INSTALLED LINER TO LINER	SHOWER SCREEN MIN TO MAX
900mm	880mm	874mm	830mm to 910mm
1000mm	980mm	794mm	930mm to 1010mm
1200mm	1180mm	1174mm	1130mm to 1210mm

NOTE: Liner has a clearance at the back wall to allow for glue and small discrepancies of walls.

Further installation steps now are followed in 2-Sided excluding Return Panel details.

INSTALLATION

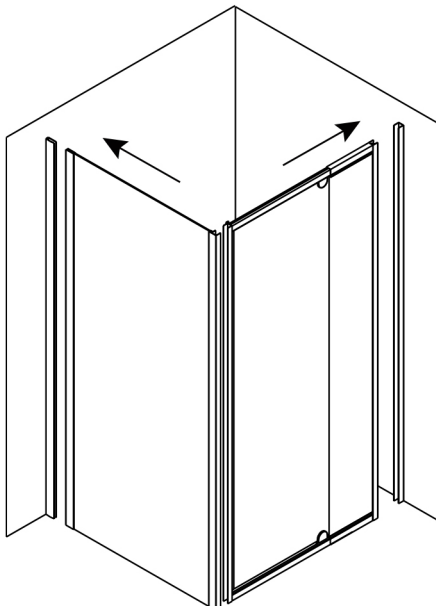
- 1** Go to the layout plan on pages 4 and 5 to identify the category and size of shower you are installing. Find the applicable measurements and guidance notes that apply in your case.
- 2** Using a soft pencil or masking tape mark out the outside boundary line on the base and up the walls with a spirit level. Use the wall channel holes to pre-drill a 2mm lead hole in the lining (refer Diagram A1).
- 3** Prior to wall channel fixing
 - Apply a short bead of silicone across tray to liner join at channel position. (Diagram A3)
 - Apply a continuous 7mm bead of silicone on back of channel.
 - Fix channel in place with screws checking it remains plumb. (Diagram A2)



- 4** Slide Fixed Return Panel (3) and Door Assembly (4) into Wall Channel (1 & 2).

HINT: Insert the top or bottom corner of the panel into the channel first. Then the rest of the panel will slide into the channel easier.

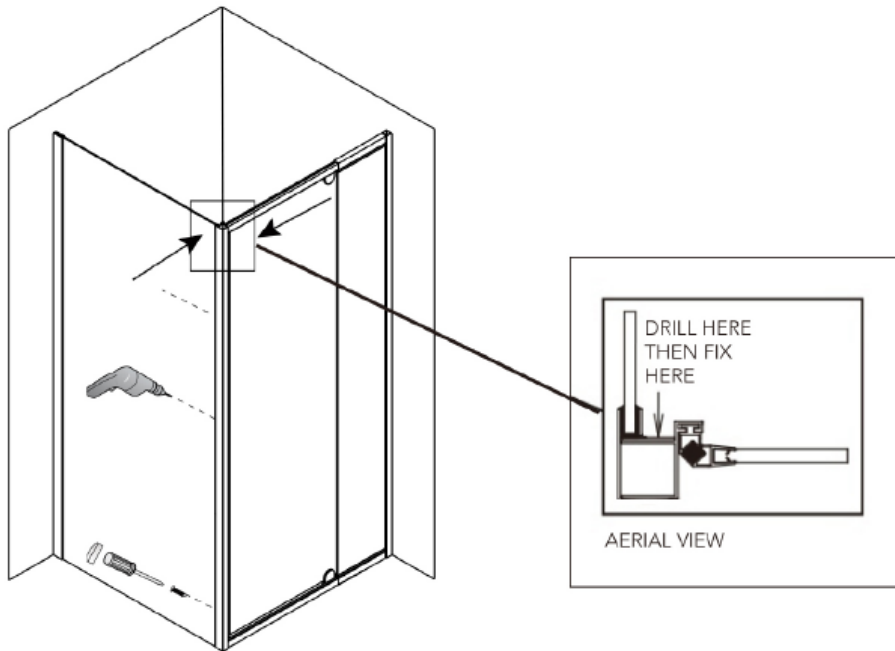
DIAGRAM B:



INSTALLATION

- 5** Slide the Fixed Return Panel (3) over the extrusion on to the Front Door Assembly (4) at the leading corner. Ensure this is aligned correctly then drilled and screwed.

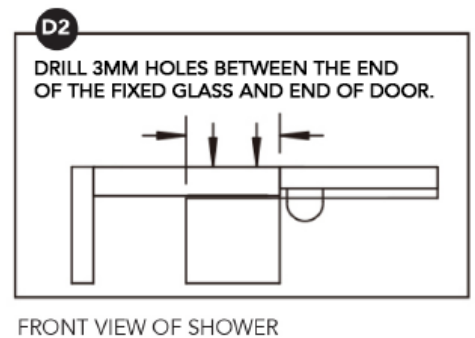
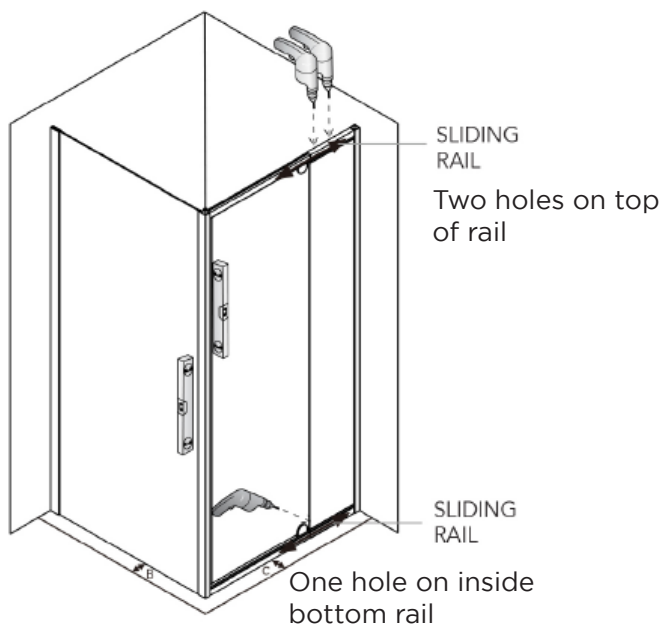
DIAGRAM C:



- 6** Using the sliding rails within the Front Door Assembly adjust them (in or out) to have both the Fixed Return Panel and Front Door Panel positioned on the boundary line. They should be positioned evenly between both wall channels and aligned to tray edge.

Drill and fasten off the bottom rail on the inside (Diagram D1). Using a level ensure the front assembly and return panel are plumb vertically at the corner junction and drill and fasten the top rail (Diagram D2).

DIAGRAM D1:



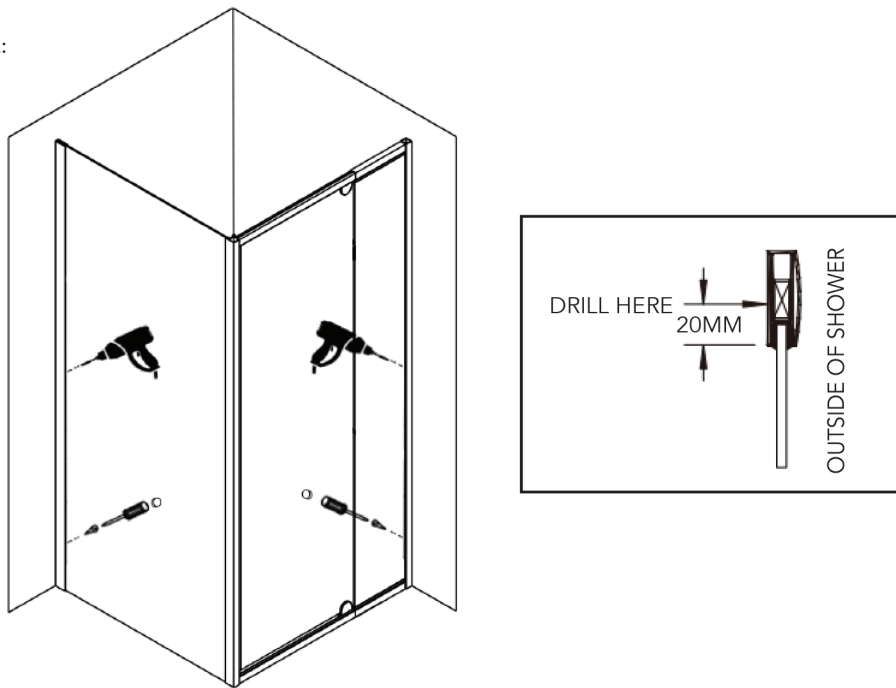
INSTALLATION

- 7** Drill three equally spaced 3.2mm holes into the wall channels (1) and (2) on the **INSIDE** of the screen.

Make sure that your drill holes are more than 20mm back from the glass edge when using the smallest screen size. Otherwise you risk breaking the glass (see Diagram E).

Make sure that all the holes go through both the aluminium of the fixed side panel and the door front assembly. Fix off wall channels (1) and (2) to fixed side panels (3) and (4) using the fixed panel screws (6) and covering them with screw caps (7).

DIAGRAM E:



8

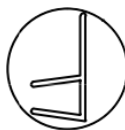
- A. Fasten handle to door.



- B. Fit bottom door seal.



- C. Fit deflector seal to back of door.



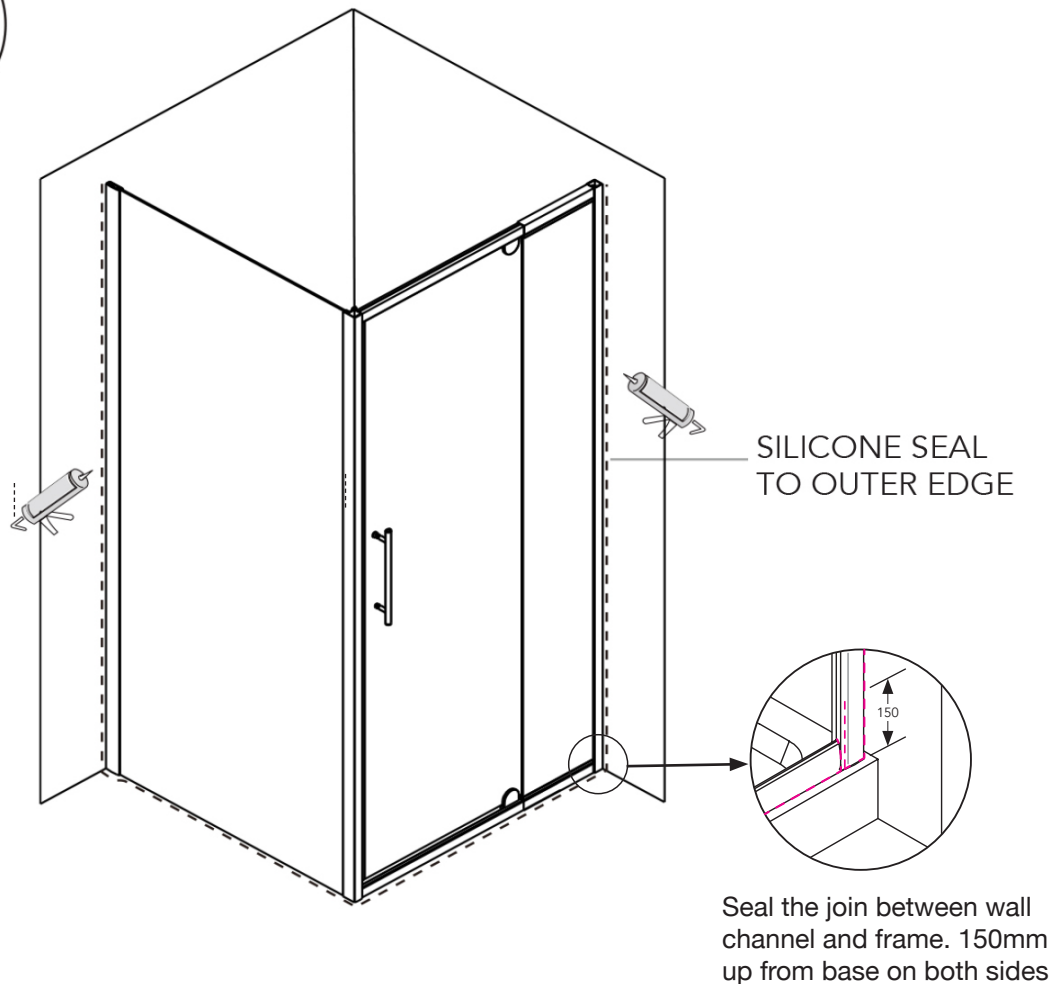
- D. Fit additional deflector seal to leading edge of front fixed glass.



INSTALLATION

- 9 Apply silicone sealer around all external joints of shower screen a minimum of 24 hours for silicone to set.

Silicone is not used on the inside of the shower screen because water can build up over time within the wall channel and leak out of the shower area. The screen is designed to allow the water to return into the shower area, if any is present. SCREENS THAT ARE SEALED ON THE INSIDE WILL VOID WARRANTY.



CONTACT

STEIN

54 Unutoto Place, Tauriko, Tauranga, 3171

Freephone: 0800 002 299

Phone: 07 928 9990

Email: info@stein.co.nz

stein.nz