

18V LITHIUM ION

CORDLESS LAWN EDGER

INSTRUCTION MANUAL

SPECIFICATIONS

Voltage: 18V
No Load Speed: 4,400/min
Cutting Depths: 36.5, 40, 45mm
Blade: 190mm x 18mm bore
Weight: 3.0kg

ozito.com.au

5 YEAR
REPLACEMENT WARRANTY

STANDARD EQUIPMENT



Cordless Lawn Edger



Blade Spanner & Pin

PXCLES-018

WARRANTY

IN ORDER TO MAKE A CLAIM UNDER THIS WARRANTY YOU MUST RETURN THE PRODUCT TO YOUR NEAREST BUNNINGS WAREHOUSE WITH YOUR BUNNINGS REGISTER RECEIPT. PRIOR TO RETURNING YOUR PRODUCT FOR WARRANTY PLEASE TELEPHONE OUR CUSTOMER SERVICE HELPLINE:

Australia 1800 069 486
New Zealand 0508 069 486

TO ENSURE A SPEEDY RESPONSE PLEASE HAVE THE MODEL NUMBER AND DATE OF PURCHASE AVAILABLE. A CUSTOMER SERVICE REPRESENTATIVE WILL TAKE YOUR CALL AND ANSWER ANY QUESTIONS YOU MAY HAVE RELATING TO THE WARRANTY POLICY OR PROCEDURE.

WARNING

The following actions will result in the warranty being void.

- If the tool has been operated on a supply voltage other than that specified on the tool.
- If the tool shows signs of damage or defects caused by or resulting from abuse, accidents or alterations.
- Failure to perform maintenance as set out within the instruction manual.
- If the tool is disassembled or tampered with in any way
- Professional, industrial or high frequency use.

The benefits provided under this warranty are in addition to other rights and remedies which are available to you at law.

Our goods come with guarantees that cannot be excluded at law. You are entitled to a replacement or refund for a major failure and for compensation for any other reasonably foreseeable loss or damage. You are also entitled to have the goods repaired or replaced if the goods fail to be of acceptable quality and the failure does not amount to a major failure.

Generally you will be responsible for all costs associated with a claim under this warranty, however, where you have suffered any additional direct loss as a result of a defective product you may be able to claim such expenses by contacting our customer service helpline above.

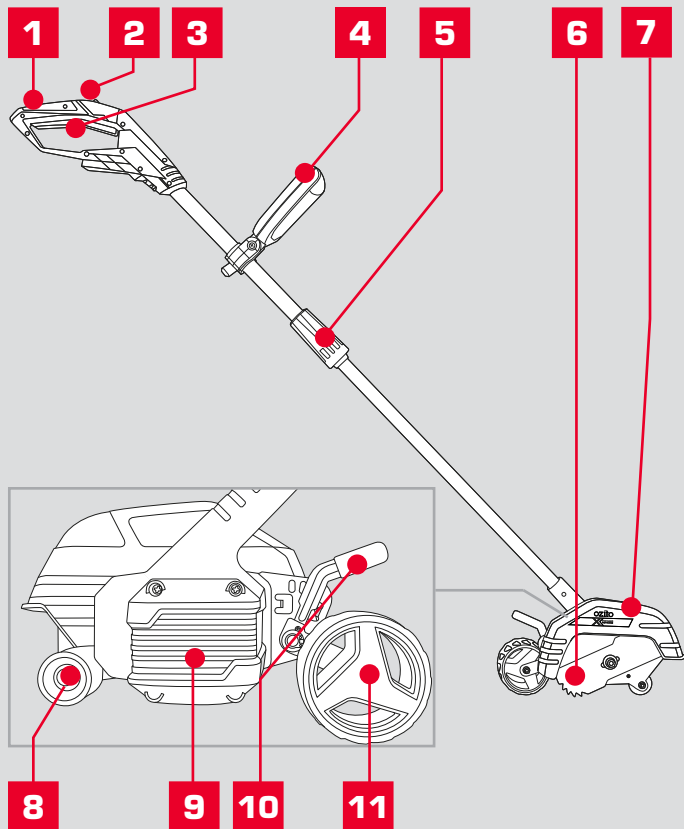
5 YEAR REPLACEMENT WARRANTY

Your Product is guaranteed for a period of 60 months from the original date of purchase and is intended for DIY (Do It Yourself) use only. If a product is defective it will be replaced in accordance with the terms of this warranty. **Lithium Ion batteries and chargers are covered by a 36 month warranty.** Warranty excludes consumable parts, for example: blade, blade nut, blade flange and included accessories.

KNOW YOUR PRODUCT

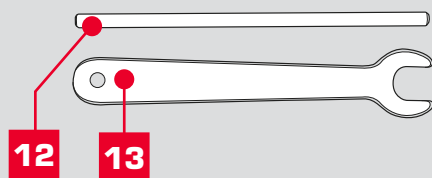
CORDLESS LAWN EDGER

- | | |
|----------------------|----------------------------|
| 1. Rear Handle | 7. Blade Guard |
| 2. Lock-Off Switch | 8. Guide Wheel |
| 3. On/Off Trigger | 9. Motor Housing |
| 4. Adjustable Handle | 10. Depth Adjustment Lever |
| 5. Shaft Lock | 11. Depth Adjustment Wheel |
| 6. Cutting Blade | |



ACCESSORIES

- | | |
|---------------|-------------------|
| 12. Blade Pin | 13. Blade Spanner |
|---------------|-------------------|



BATTERY & CHARGER

This tool is compatible with all battery and chargers from the Ozito Power X Change Range.

ONLINE MANUAL

Scan this QR Code with your mobile device to take you to the online manual.



5 YEAR
REPLACEMENT WARRANTY

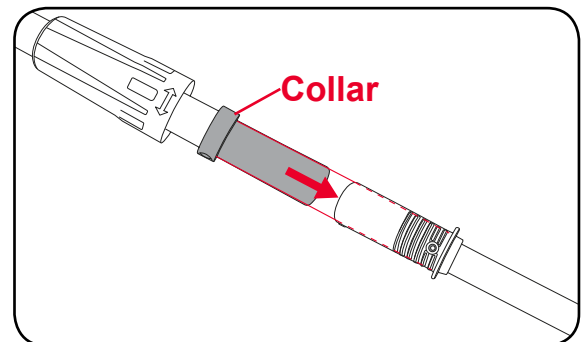
SETUP & PREPARATION

1. ASSEMBLY

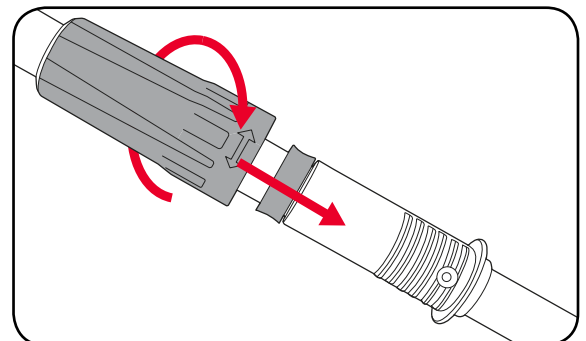
WARNING! ENSURE THE TOOL IS SWITCHED OFF AND BATTERY IS DISCONNECTED BEFORE PERFORMING ANY OF THE FOLLOWING TASKS.

Shaft Assembly

1. Align both halves of the shaft together, pushing the upper shaft into the lower. Push until the collar is up against the lower shaft.



2. Slide the shaft lock over the collar onto the threaded section and screw tight.

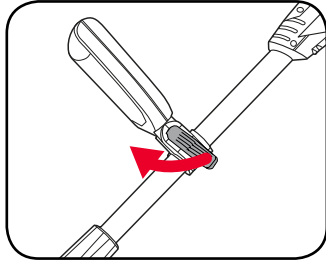


5 YEAR
REPLACEMENT WARRANTY

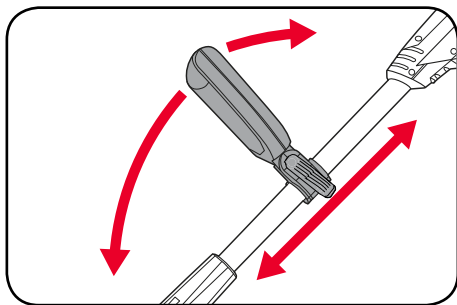
2. ADJUSTMENTS

Adjusting the Handle

1. Release the adjustable handle lever.



2. Adjust the handle into the most comfortable position, then lock in place with the lever.

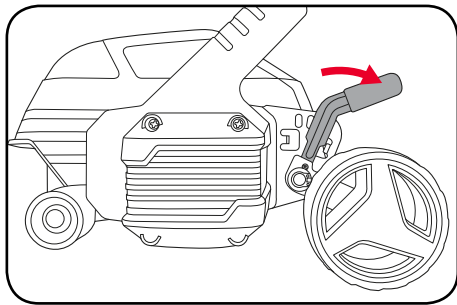


Adjusting the Cutting Depth

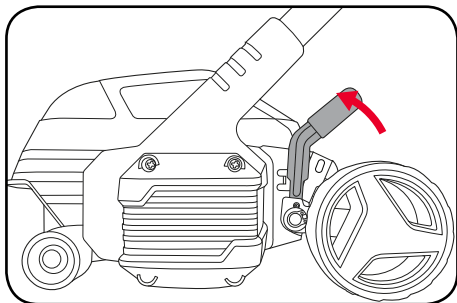
The lawn edger has a depth adjustment lever to easily adjust the cutting depth. There are 3 cutting depth settings; 3 - 36.5mm, 2 - 40mm and 1 - 45mm.

1. Remove the battery pack.

2. To decrease the cutting depth pull the lever out and move it down a notch, towards the rear.



3. To increase the cutting depth pull the lever out and move it up a notch, towards the front of the unit.



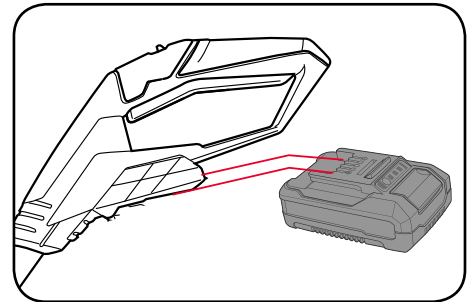
4. Refit the battery pack.

Note: If you are unsure of which cutting height to use, begin with smallest depth setting 3 - 36.5mm (shallowest) and complete a trial cut on a small section of the lawns edge.

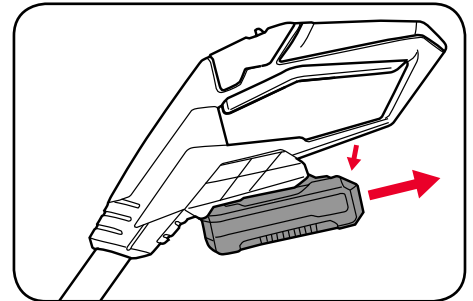
Re-adjust if necessary

3. INSERTING & REMOVING THE BATTERY

1. Align the ribs of the battery with the recess in the lawn edger just below the handle and slide in until it clicks into place..



2. To remove, press and hold the battery release tab and then slide out.



OPERATION

4. STARTING AND STOPPING

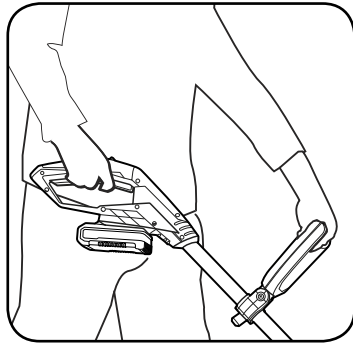
Starting the Lawn Edger

For your safety the edger is designed with a lock-off switch. If only the On/Off trigger is squeezed, the edger will not operate. This prevents accidental start up of the edger.

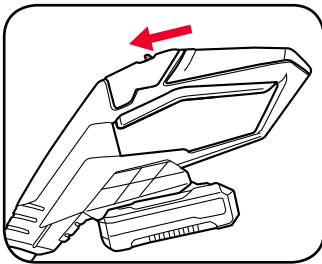
WARNING! ALWAYS WEAR ADEQUATE PROTECTIVE CLOTHING WHEN OPERATING THE TOOL TO AVOID INJURIES TO FACE, EYES, HANDS, FEET AND HEARING.

WARNING! TO AVOID KICKBACK OF THE EDGER, TILT THE HANDLE DOWN SUFFICIENTLY SO THE BLADE DOES NOT CONTACT THE GROUND BEFORE SWITCHING ON.

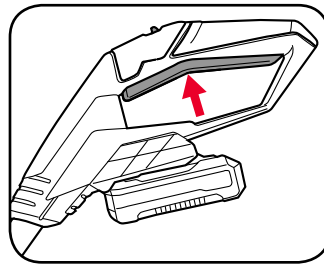
1. Hold the lawn edger firmly with both hands.



2. To start the edger, press and hold the lock-off switch forward

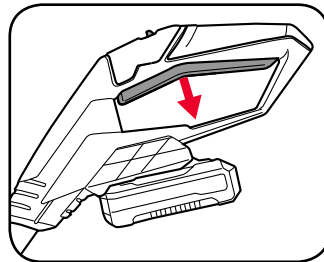


3. Squeeze the on/off trigger to start the edger. Once started, the lock-off switch can be released.



Stopping the Lawn Edger

1. To stop the edger, simply release the trigger.

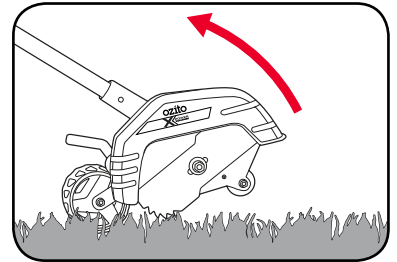


WARNING! THE LAWN EDGER RUNS FOR A FEW SECONDS AFTER IT HAS BEEN SWITCHED OFF. LET THE MOTOR COME TO A COMPLETE STANDSTILL BEFORE SETTING THE TOOL DOWN.

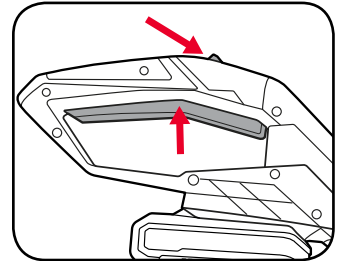
5. EDGING

WARNING! BEFORE EDGING, ENSURE THE WORK AREA IS FREE OF ROCKS, DEBRIS, LINES AND OTHER FOREIGN OBJECTS.

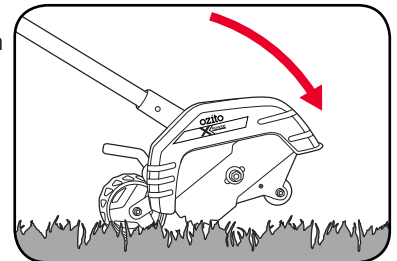
1. Tilt the handle down so the cutting blade is sufficiently above the ground before starting.



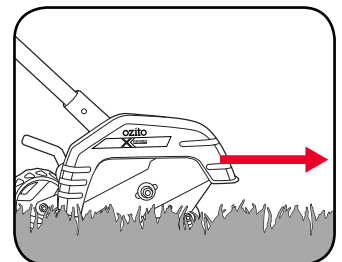
2. Start the edger and allow the blade to reach full speed.



3. Slowly raise the handle to lower the cutting blade within the edge to be cut.



4. Walk forward slowly, keeping the blade pressed lightly against the edge to be cut.



Note: If the edger begins to slow down due to a build up of grass in the blade guard, walk back slightly to allow the grass to fall out and let the cutting blade to return to normal speed before continuing forward.

Note: Some sparks may be generated from the cutting blade while pressed against a solid edge (eg; concrete) to be cut, simply align the blade so no contact is made.

WARNING! ALWAYS ENSURE THE TOOL IS SWITCHED OFF AND THE BATTERY IS REMOVED PRIOR TO CLEANING OR PERFORMING ANY MAINTENANCE.

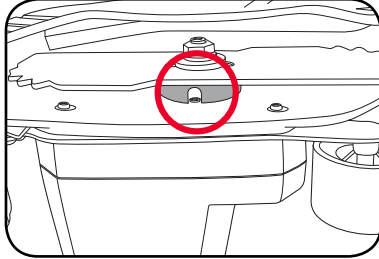
MAINTENANCE



WARNING! ALWAYS ENSURE THE TOOL IS SWITCHED OFF AND THE BATTERY IS REMOVED PRIOR TO CLEANING OR PERFORMING ANY MAINTENANCE.

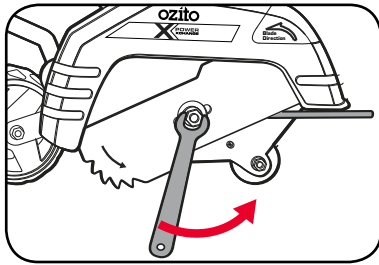
Changing the Cutting Blade

1. Lay the edger on its side and place the blade pin in the inner flange behind the blade to hold the spindle from turning.



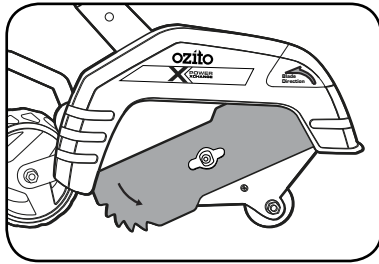
2. Place the blade spanner on the nut and turn anti-clockwise to remove the nut, washer and blade.

Note: Ensure the nut and inner flange are clean of any dirt or grass prior to fitting.

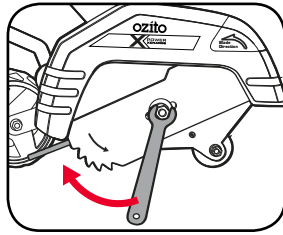


3. Fit the new blade over the inner flange, ensuring it is located correctly and in the correct direction.

Note: The blade rotates in anti-clockwise direction.



4. Fit the washer and nut, tighten firmly in a clockwise direction using the supplied blade spanner and pin spanner.



General Maintenance

- Keep the ventilation vents of the tool clean at all times, if possible, prevent foreign matter from entering the vents.
- After each use, blow air through the motor housing to ensure it is free from all dust particles which may build up. Build up of dust particles may cause the unit to overheat and fail.
- If the enclosure of the tool requires cleaning do not use solvents but a moist soft cloth or soft brush only. Never let any liquid get inside the tool; never immerse any part of the tool into a liquid.

Note: Ozito Industries will not be responsible for any damage or injuries caused by the repair of the garden sprayer by an unauthorised person or by mishandling of the garden sprayer. This tool is designed for DIY use - use in commercial or industrial environments will void the warranty.

TROUBLESHOOTING

Problem	Cause	Remedy
Edger is not starting	Possible clogging	Clean the blade and inside the guard of any grass.
	Battery is low in charge	Charge battery
	Battery not inserted properly	Insert battery pack correctly
Edger is not operating at full capacity	Possible clogging	Clean the blade and inside the guard of any grass.
	Cutting overgrown grass	Begin with smallest depth setting, then increase depth as necessary.
Motor stops while operating	Battery has no power	Charge battery

SPARE PARTS

Spare parts can be ordered from the Special Orders Desk at your local Bunnings Warehouse.

For further information, or any parts not listed here, visit

www.ozito.com.au or contact Ozito Customer Service:

Australia 1800 069 486

New Zealand 0508 069 486

E-mail: enquiries@ozito.com.au

DESCRIPTION OF SYMBOLS

V	Volts	Hz	Hertz
~	Alternating current	W	Watts
dc/---	Direct current	\emptyset	Diameter
mA	Milliamperes	n_o	No load speed
dB	Decibel (noise) rating	/min	Revolutions or reciprocation per minute
	Read instruction manual		Wear safety footwear
	Regulator compliance mark		Warning
	Wear eye protection.		Wear protective gloves.
	Do not use in the rain or leave the lawn edger outdoors while raining.		
	Keep bystanders at a safe distance		Thrown objects
	Direction of edger blade rotation		Rotating cutting blade

CARING FOR THE ENVIRONMENT



Power tools that are no longer usable should not be disposed of with household waste but in an environmentally friendly way. Please recycle where facilities exist. Check with your local council authority for recycling advice.



Recycling packaging reduces the need for landfill and raw materials. Reuse of recycled material decreases pollution in the environment. Please recycle packaging where facilities exist. Check with your local council authority for recycling advice.



ELECTRICAL SAFETY



WARNING! When using mains-powered tools, basic safety precautions, including the following, should always be followed to reduce risk of fire, electric shock, personal injury and material damage.

Read the whole manual carefully and make sure you know how to switch the tool off in an emergency, before operating the tool.

Save these instructions and other documents supplied with this tool for future reference.

The charger has been designed for 230V and 240V only. Always check that the power supply corresponds to the voltage on the rating plate.

Note: The supply of 230V and 240V on Ozito tools are interchangeable for Australia and New Zealand.



This tool's charger is double insulated and therefore no earth wire is required.

If the supply cord is damaged, it must be replaced by an electrician or a power tool repairer in order to avoid a hazard.

Note: Double insulation does not take the place of normal safety precautions when operating this tool. The insulation system is for added protection against injury resulting from a possible electrical insulation failure within the tool.

The power supply for this product's charger should be protected by a residual current device (rated at 30mA or less). A residual current device reduces the risk of electric shock.



GENERAL POWER TOOL SAFETY WARNINGS



WARNING! Read all safety warnings and all instructions. Failure to follow the warnings and instructions may result in electric shock, fire and/or serious injury.

Save all warnings and instructions for future reference. The term "power tool" in the warnings refers to your mains-operated (corded) power tool or battery-operated (cordless) power tool.

1. Work area safety

- Keep work area clean and well lit.** Cluttered or dark areas invite accidents.
- Do not operate power tools in explosive atmospheres, such as in the presence of flammable liquids, gases or dust.** Power tools create sparks which may ignite the dust or fumes.
- Keep children and bystanders away while operating a power tool.** Distractions can cause you to lose control.

2. Electrical safety

- Power tool plugs must match the outlet. Never modify the plug in any way. Do not use any adapter plugs with earthed (grounded) power tools.** Unmodified plugs and matching outlets will reduce risk of electric shock.
- Avoid body contact with earthed or grounded surfaces, such as pipes, radiators, ranges and refrigerators.** There is an increased risk of electric shock if your body is earthed or grounded.
- Do not expose power tools to rain or wet conditions.** Water entering a power tool will increase the risk of electric shock.
- Do not abuse the cord. Never use the cord for carrying, pulling or unplugging the power tool. Keep cord away from heat, oil, sharp edges or moving parts.** Damaged or entangled cords increase the risk of electric shock.
- When operating a power tool outdoors, use an extension cord suitable for outdoor use.** Use of a cord suitable for outdoor use reduces the risk of electric shock.

3. Personal safety

- Stay alert, watch what you are doing and use common sense when operating a power tool. Do not use a power tool while you are tired or under the influence of drugs, alcohol or medication.** A moment of inattention while operating power tools may result in serious personal injury.
- Use personal protective equipment. Always wear eye protection.** Protective equipment such as dust mask, non-skid safety shoes, hard hat, or hearing protection used for appropriate conditions will reduce personal injuries.
- Prevent unintentional starting. Ensure the switch is in the off-position before connecting to power source and/or battery pack, picking up or carrying the tool.** Carrying power tools with your finger on the switch or energising power tools that have the switch on invites accidents.
- Remove any adjusting key or wrench before turning the power tool on.** A wrench or a key left attached to a rotating part of the power tool may result in personal injury.
- Do not overreach. Keep proper footing and balance at all times.** This enables better control of the power tool in unexpected situations.
- Dress properly. Do not wear loose clothing or jewellery. Keep your hair, clothing and gloves away from moving parts.** Loose clothes, jewellery or long hair can be caught in moving parts.

- If devices are provided for the connection of dust extraction and collection facilities, ensure these are connected and properly used.** Use of dust collection can reduce dust-related hazards.

4. Power tool use and care

- Do not force the power tool. Use the correct power tool for your application.** The correct power tool will do the job better and safer at the rate for which it was designed.
- Do not use the power tool if the switch does not turn it on and off.** Any power tool that cannot be controlled with the switch is dangerous and must be repaired.
- Disconnect the plug from the power source and/or the battery pack from the power tool before making any adjustments, changing accessories, or storing power tools.** Such preventive safety measures reduce the risk of starting the power tool accidentally.
- Store idle power tools out of the reach of children and do not allow persons unfamiliar with the power tool or these instructions to operate the power tool.** Power tools are dangerous in the hands of untrained users.
- Maintain power tools. Check for misalignment or binding of moving parts, breakage of parts and any other condition that may affect the power tool's operation. If damaged, have the power tool repaired before use.** Many accidents are caused by poorly maintained power tools.
- Keep cutting tools sharp and clean.** Properly maintained cutting tools with sharp cutting edges are less likely to bind and are easier to control.
- Use the power tool, accessories and tool bits etc. in accordance with these instructions, taking into account the working conditions and the work to be performed.** Use of the power tool for operations different from those intended could result in a hazardous situation.

5. Battery tool use and care

- Recharge only with the charger specified by the manufacturer.** A charger that is suitable for one type of battery pack may create a risk of fire when used with another battery pack.
- Use power tools only with specifically designated battery packs.** Use of any other battery packs may create a risk of injury and fire.
- When battery pack is not in use, keep it away from other metal objects, like paper clips, coins, keys, nails, screws or other small metal objects, that can make a connection from one terminal to another.** Shorting the battery terminals together may cause burns or a fire.
- Under abusive conditions, liquid may be ejected from the battery; avoid contact. If contact accidentally occurs, flush with water. If liquid contacts eyes, additionally seek medical help.** Liquid ejected from the battery may cause irritation or burns.

6. Service

- Have your power tool serviced by a qualified repair person using only identical replacement parts.** This will ensure that the safety of the power tool is maintained.



LAWN EDGER SAFETY WARNINGS



WARNING! Do not touch rotating parts;

This appliance is not intended for use by persons (including children) with reduced physical, sensory or mental capabilities, or lack of experience and knowledge, unless they have been given supervision or instruction concerning use of the appliance by a person responsible for their safety.

Children should be supervised to ensure that they don't play with the appliance.

Always wear adequate protective clothing when operating the tool to avoid injuries to face, eyes, hands, feet, head or hearing.

Use safety glasses or a face shield, high boots or sturdy shoes, long trousers, work gloves, a hard hat and ear defenders.

Do not start the tool when it is upside down or when it is not in the operating position.

Switch the motor off and remove the plug when the tool is not being used, left unattended, being cleaned, being moved from one place to another or when the extension cord is entangled or damaged.

Do not operate the tool near people, especially children or pets. Turn it off if they get too close. Maintain a safe distance of at least 5m from other people when using the tool.

- Do not expose to moisture
- Do not operate the appliance when barefoot or wearing open toe shoes.
- While operating the appliance, always wear substantial footwear and long trousers.
- Operate the appliance only in daylight or in good artificial light.
- Avoid operating the appliance in wet grass, where feasible.
- Always be sure of your footing on slopes.
- Walk, never run.
- Always work across the face of slopes, never up and down.
- Exercise extreme caution when changing direction on slopes.
- Do not operate the appliance on excessively steep slopes.

- Use extreme caution when reversing or pulling the appliance towards you.
- Stop the rotating parts if the appliance has to be tilted for transportation. Do not operate the cutting means when crossing surfaces other than grass, and when transporting the appliance to and from the working area.
- Never operate the appliance with defective guards or shields, or without safety devices, for example deflectors and/or catchers in place.
- Switch on the motor according to instructions and with feet well away from rotating parts.
- Do not tilt appliance when switching on the motor, except if the appliance has to be tilted for starting. In this case, do not tilt it more than absolutely necessary and lift only the part which is away from the operator. Always ensure that both hands are in the operating position before returning the appliance to the ground.
- Do not put hands or feet near or under rotating parts.
- For rotary appliances keep clear of the discharge opening at all times.
- Never pick up or carry an appliance while the motor is running.
- Pull the plug from the socket:
 - whenever you leave the machine;
 - before clearing a blockage;
 - before checking, cleaning or working on the appliance;
 - if the cord is damaged or entangled;
 - after striking a foreign object. Inspect the appliance for damage and make repairs as necessary.
- If the appliance starts to vibrate abnormally, check immediately.