

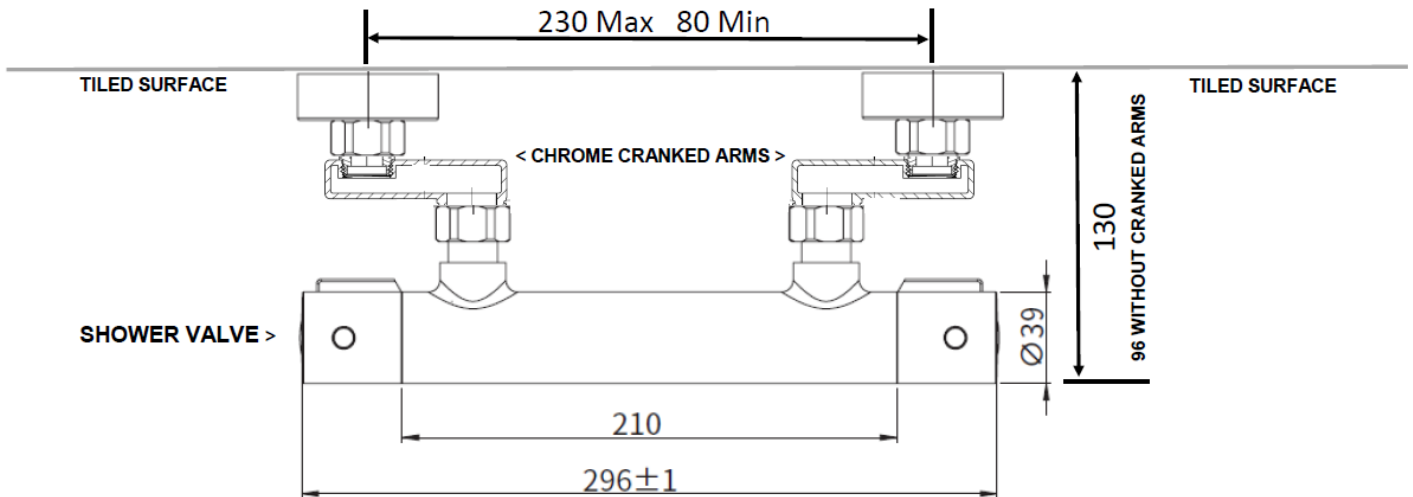
### MAJOR POINTS TO NOTE:

**INCOMING WATER PRESSURE NOT TO EXCEED 500kPa OR WILL DAMAGE THE VALVE AND VOID WARRANTY**

**HOT AND COLD PRESSURE TO BE BALANCED, NOT HIGH FOR COLD AND LOW FOR HOT.**

**FOR TAP SPACINGS 150mm. ADAPTERS INCLUDED FOR MAXIMUM 230mm MINIMUM 80mm SPACING**

**CAN BE INSTALLED IN HORIZONTAL OR VERTICAL POSITION.**



**5 YEAR WARRANTY ON ALL PARTS AGAINST DEFECTS IN PERFORMANCE.**

**TO BE FITTED BY A QUALIFIED LICENSED PLUMBER**

**INSTALLATION IS SUBJECT TO THE REQUIREMENTS OF THE APPLICABLE REGULATORY AUTHORITY, THE NATIONAL CONSTRUCTION CODE VOLUME THREE- PLUMBING CODE OF AUSTRALIA.**

**AUSTRALIAN STANDARD AS4032.4: 2014 WATERMARK LICENSE WMK26224..**

**AS/NZS3500.4:2018 COMPLIANT**

**NOT TO BE FITTED WHERE FREEZING MAY OCCURE**

**RECOMMENDED INLET PRESSURE BETWEEN 100 AND 500 kPa**

**If inlet pressure exceeds 500kPa or can spike above 500kPa, a pressure reducing valve must be installed as per AS/NZS 3500 plumbing code**

**INLET COLD WATER TEMPERATURE BETWEEN 8 and 29°C to obtain set mixed water temperature**

**INLET HOT WATER TEMPERATURE BETWEEN 55 and 85°C to obtain set mixed water temperature.**

**If inlet temperature exceeds 85°C, check hot water system thermostat.**

**CAN BE FITTED WITH A COMBINATION BOILER, MAINS PRESSURE UNVENTED OR INSTANTANEOUS HOT WATER SYSTEM. BALANCED PRESSURES ON HOT AND COLD.**

**MIXED OUTLET WATER TEMPERATURE RANGE BETWEEN 20 AND 45°C at recommended inlet temperatures**

**SAFETY STOP SET FEATURE @38°C WITH INTERNAL SAFETY THERMAL SHUT OFF.**

**COOL-TOUCH VALVE, LOW SURFACE TEMPERATURE WHEN OPERATING.**

**CYLINDRICAL SURFACE MOUNTED CHROME TMV, 296mm LONG, 38mm DIAMETER**

**DO NOT USE ABRASIVE CLEANING PRODUCTS.**