



MOJAVE 3-IN-1 BATHROOM MATE

3-in-1 Total Bathroom Solution



Wall control
Included



Mojave's minimalistic design delivers a modern slimline look. Its instant heat infrared lamp, powerful and quiet ball bearing motor and high lumen light giving you a total bathroom solution.

- Low profile design
- High performance 1000W instant heat lamp to warm the body
- Powerful 55W long life ball bearing motor
- Extracts up to 500m³/hr to easily remove moisture and steam
- Super bright 15W CCT LED light sources with 1200 lumen maximum output
- Easily change colour temperature (CCT) from warm white 3000K, cool white 4200K to bright daylight 6000K
- 150mm side duct outlet
- This unit is fitted with a thermostat switch that will automatically turn on the fan if the internal temperature exceeds 50°C
- Includes wall switch, 1.5m flexible ducting and exterior grille
- Available in matt white and matt black

APPLICATIONS

- For medium to large bathrooms





MOJAVE 3-IN-1 BATHROOM MATE

TECHNICAL SPECIFICATIONS

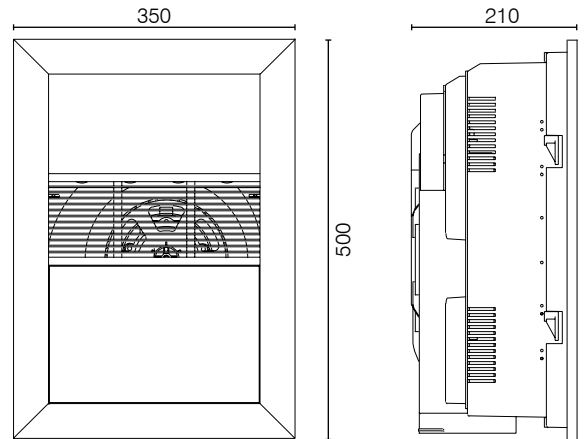
Operating Voltage:	240V / 50Hz
Class:	Class I (1)
Total Wattage:	1100W total max.
Motor Wattage:	55W Total
Motor Type:	Longlife ball bearing
Air Extraction:	up to 500m ³ /hr (139l/sec)
Heat Wattage:	1000W max.
Heat Type:	Instant heat Infrared tube
Light Wattage:	15W max.
Light adjustable:	Change colour temperature from 3000K, 4200K or 6000K
Light Lumens	1000lm (3000K); 1100lm (4200K); 1200lm (6000K)
Cutout:	475mm x 325mm
Outlet Diameter:	suits ø150mm ducting
Ingress protection:	IPX2
Thermal Safety Switch:	Auto cut-off / Fan on (50°C)
Recommended ,minimum installation depth to roof:	300mm
Includes Accessories:	3-Gang wall control, 1.5m flexible duct, 2 x duct clamps, exterior grille
Warranty	3 year replacement
Standards:	AS/NZS 60335.2.80 AS/NZS 60335.2.30 AS/NZS 60335.1 AS/NZS 60598.2.2 AS/NZS 60598.1 AS CISPR15 AS/NZS CISPR14

INSTALLATION

Must be installed by a licensed electrician

ACCESSORIES (sold separately)

Heat Tube:	21478SP002
Duct 3m:	19939
Duct 6m:	19940



	MODEL	COLOUR	DESCRIPTION	BOX SIZE	GROSS WEIGHT	BOX QTY	BARCODE/TUN
RETAIL BOX	21702/05	Matt White	Mojave 3-in1 Bathroom Mate	W640 x H410 x D255 mm	4.7 kg	1 pc	9 312641 217022 >
OUTER BOX	21702/05	Matt White	Mojave 3-in1 Bathroom Mate	W655 x H440 x D525 mm	11.0 kg	2 pc	19312641217029
RETAIL BOX	21702/06	Matt Black	Mojave 3-in1 Bathroom Mate	W640 x H410 x D255 mm	4.7 kg	1 pc	9 312641 217039 >
OUTER BOX	21702/06	Matt Black	Mojave 3-in1 Bathroom Mate	W655 x H440 x D525 mm	11.0 kg	2 pc	19312641217036