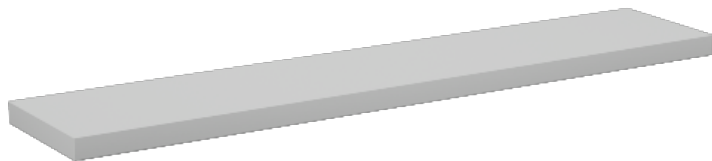


PRACTA SOLUTIONS™



FLOATING SHELF 1200MM

PARTS LIST



AX8
Wall Screw



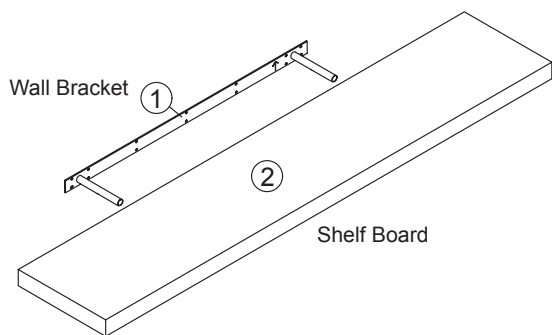
BX8
Plaster Wall
Anchor



CX8
Masonry
Wall Plug

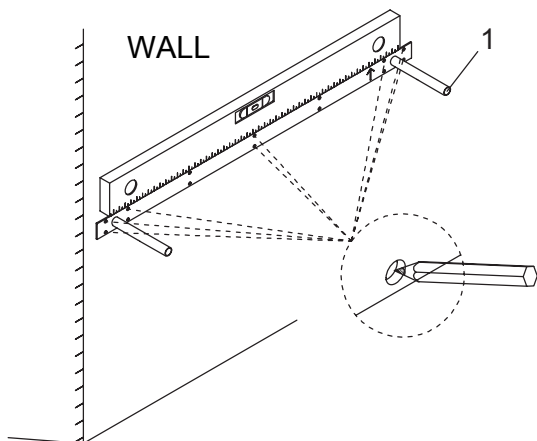


DX2
Shelf Retaining
Screw



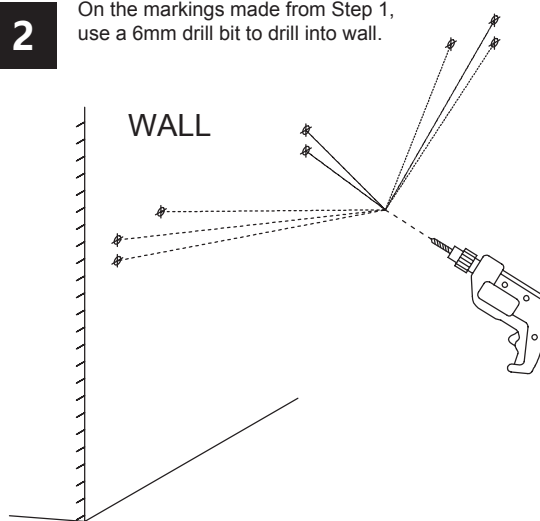
1

To avoid slanting, mark the wall using a level and pencil through the holes on the wall bracket (2).



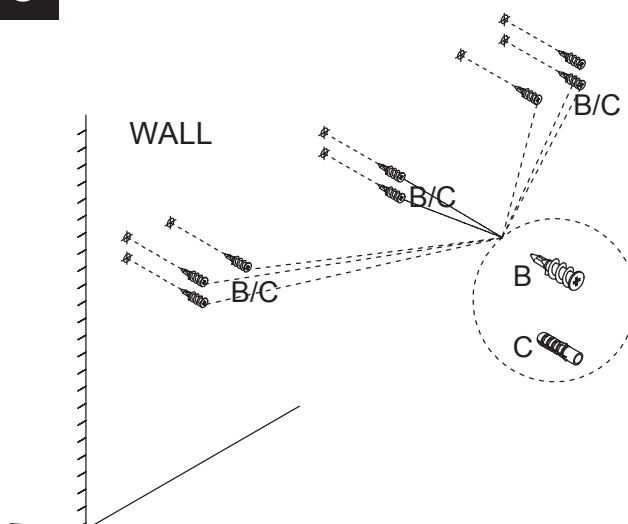
2

On the markings made from Step 1, use a 6mm drill bit to drill into wall.



3

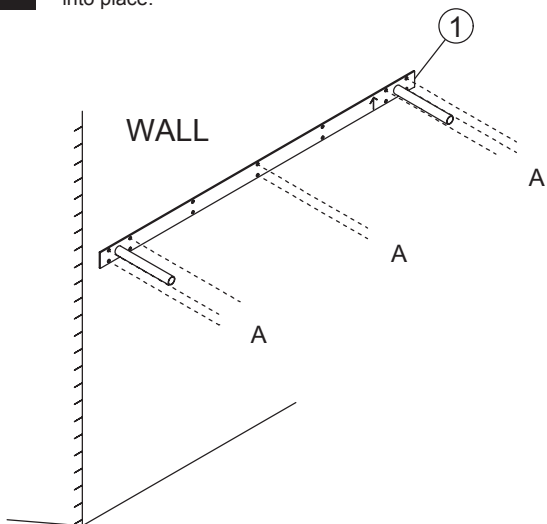
Screw in the 8 plaster wall anchors (B) or 8 masonry wall plugs (C) into the holes.



Please use 'B' for Plasterboard and 'C' for Masonry.

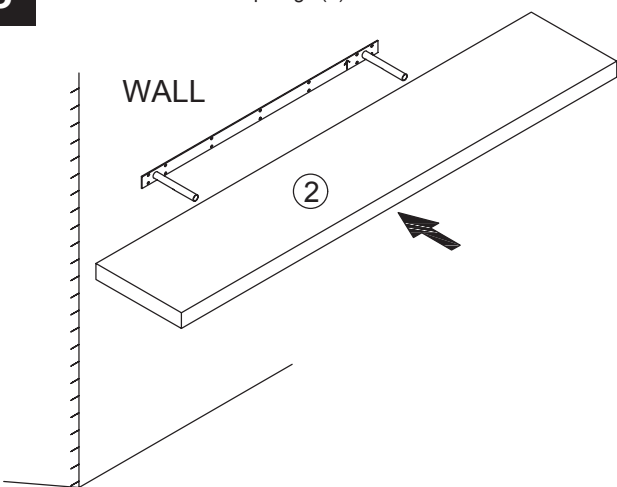
4

Hold the wall bracket (1) over the fixings on the wall.
Then using 8 wall screws (A), secure the wall bracket
into place.



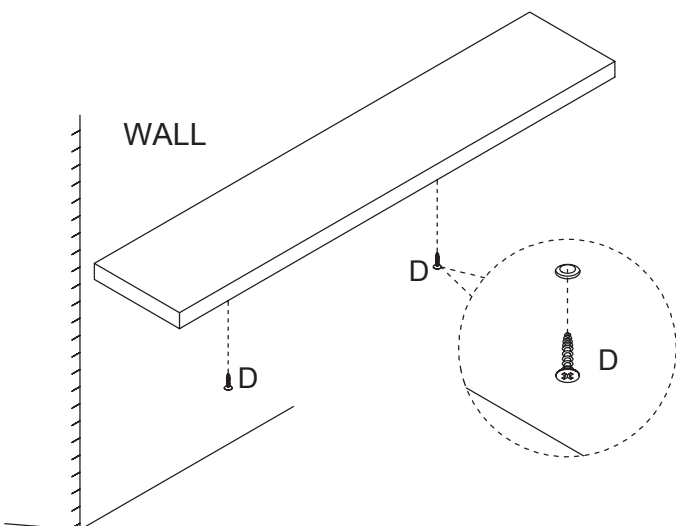
5

Line up the 2 holes on the shelf board (2) and slide
onto the wall bracket prongs (1).



6

Use 2 shelf retaining screws (D) to fix the shelf board (2) onto the
wall bracket (1) to complete installation.



!
Max. weight capacity*:
Plasterboard 5kg
Masonry 10kg
*Evenly distributed

DISTRIBUTED BY:
Visy Retail Services Pty Ltd (AU): 1300 734 714
Visy Board Limited (NZ): 0800 443 058