

RC18130



Important!

This appliance is not intended to be used or cleaned by persons with reduced physical, sensory or mental capabilities, or lack of experience or knowledge, unless they have been given instructions concerning the safe use of the appliance by a person legally responsible for their safety. They should be supervised whilst using the appliance. Children shall not use, clean or play with this appliance, which when not in use should be secured out of their reach.

Safety, performance, and dependability have been given top priority in the design of your charger.

INTENDED USE

This charger is only intended to charge Ryobi ONE+ Lithium-Ion battery packs listed in this manual.

The product is only for use indoors in dry conditions.

The product is not intended to charge any other type of battery, to be used as a power supply, or for any other purpose. It should never be used in explosive or inflammable environments.

CHARGER SAFETY WARNINGS

Please read and observe these instructions before using the product. Failure to follow these instructions and warnings increases the risk of electric shock, fire and explosion.

⚠ WARNING! Do not recharge primary cells (non-rechargeable).

⚠ WARNING! Mains voltage must correspond with the voltage specifications on the product.

Before using the product, check that the product enclosure, cable and adaptor plug are not damaged. If damage is found, do not use and follow instruction in the maintenance section of this manual.

- The product must not be damp, and should never be used in a damp environment.
- The product is for indoor use only.
- Do not use the product if it has suffered any heavy shock or jolting, or is damaged in any other way.
- Do not conduct charging in a position which may become exposed to sunlight or other heat source.
- Due to the heat generated during charging, the product should not be operated on a combustible surface.
- Do not conduct charging operations in the vicinity of flammable materials. Example: Cloth, packaging materials, paint, spray paint or aerosols, lubricant, thinners, petrol containers, gas containers or gas appliances.
- Do not cover any ventilating slots and provide adequate ventilation during operation.
- Never modify, disassemble or attempt to repair the product yourself.
- Do not allow the charger or batteries to become contaminated with any material which could be conductive. Example: Metal particles from grinding, cutting or machining processes.
- Remove the plug of the product from the power socket when it is not in use or when cleaning it.
- Only use extension cable that is approved and in good condition.
- Protect battery contacts to avoid a short circuit caused by metallic objects which could cause a fire or explosion!
- Do not charge batteries which show signs they have leaked electrolyte. Dispose of them properly.
- Never charge a damaged battery pack. If damaged, replace immediately.
- If the battery is not going to be used for a while, remove the charger plug from the power socket and take the battery off the product.

OPERATION

CHARGING THE BATTERY PACK

Battery packs are shipped in a low charge condition to prevent possible problems. Therefore, you should charge them before first use. If the charger does not charge your battery pack under normal circumstances, return both the battery pack and charger to your nearest authorised service center for electrical check.

Do not charge nickel cadmium (NiCd) battery packs. When a NiCd battery pack is inserted, the red LED will light up and green LED will be off.

Make sure the power supply is normal household voltage, 220–240 V, 50 Hz 85 W Max., AC only.

NOTE: After charging is complete, the green LED will remain on until the battery pack is removed from the charger or charger is disconnected from the power supply.

The battery pack will become slightly warm to the touch while charging. This is normal and does not indicate a problem.

Do not place the charger and battery pack in an area of extreme heat or cold. They will work best at normal room temperature.

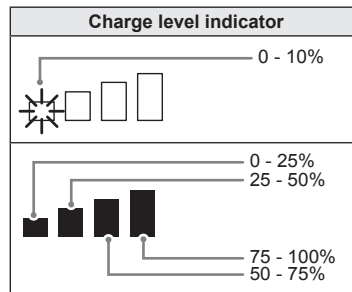
NOTE: The charger and battery pack should be placed in a location where the temperature is more than 10°C but less than 38°C.

CHARGING A HOT BATTERY PACK

When using a tool continuously, the batteries in the battery pack will become hot. You should let a hot battery pack cool down for approximately 30 minutes before attempting to recharge.

CHARGE STATUS

To display the amount of charge left in the battery, press the Charge level indicator button.



ADDITIONAL SAFETY WARNINGS

⚠ WARNING! The product is not intended for use by persons (including children) with reduced physical, sensory or mental capabilities, or lack of experience and knowledge, unless they have been given supervision or instruction concerning use of the product by a person responsible for their safety.

Children should be supervised to ensure that they do not play with the product.

ADDITIONAL BATTERY SAFETY WARNINGS

⚠ WARNING! To reduce the risk of fire, personal injury, and product damage due to a short circuit, never immerse your tool, battery pack or charger in fluid or allow a fluid to flow inside them. Corrosive or conductive fluids, such as seawater, certain industrial chemicals, and bleach or bleach-containing products, etc., can cause a short circuit.

TRANSPORTING LITHIUM BATTERIES

Transport the battery in accordance with local and national provisions and regulations.

Follow all special requirements on packaging and labelling when transporting batteries by a third party. Ensure that no batteries can come in contact with other batteries or conductive materials while in transport by protecting exposed connectors with insulating, non-conductive caps or tape. Do not transport batteries that are cracked or leaking. Check with the forwarding company for further advice.

MAINTENANCE

- If the supply cord is damaged, it must be replaced by the manufacturer, its service agent or similarly qualified persons in order to avoid a hazard.
- Remove the plug of the product from the power socket when it is not in use or when cleaning it.
- Avoid using solvents when cleaning plastic parts. Most plastics are susceptible to various types of commercial solvents and may be damaged by their use. Use clean cloth or soft brush to remove dirt, dust, etc.
- Do not at any time let brake fluids, gasoline, petroleum-based products, penetrating oils, etc., come in contact with plastic parts. They contain chemicals that can damage, weaken or destroy plastic.

⚠ WARNING! Hazardous voltages are present within this product; do not disassemble.

- There are no user service or replacement parts inside this product. In case of damage or failure please return to your authorised Ryobi service centre for professional repair.

STORAGE

- Store your charger in a cool dry place between 10 and 25°C.
- It is not recommended to leave it in a vehicle during hot or cold conditions. Ensure no metal filings or swarf can fall into the vents during storage, as this may cause serious injury when it is next used.

ENVIRONMENTAL PROTECTION



Recycle raw materials instead of disposing of as waste. The machine, accessories and packaging should be sorted for environment-friendly recycling.

SYMBOLS ON THE PRODUCT



Safety alert



Regulatory Compliance Mark (RCM). Product meets applicable regulatory requirements.



Class II equipment



Please read the instructions carefully before starting the machine.



For indoor use only.



Time-lag fuse 2A



Waste electrical products should not be disposed of with household waste. Please recycle where facilities exist. Check with your local authority or retailer for recycling advice.

SYMBOLS IN THIS MANUAL



Connect to the power supply








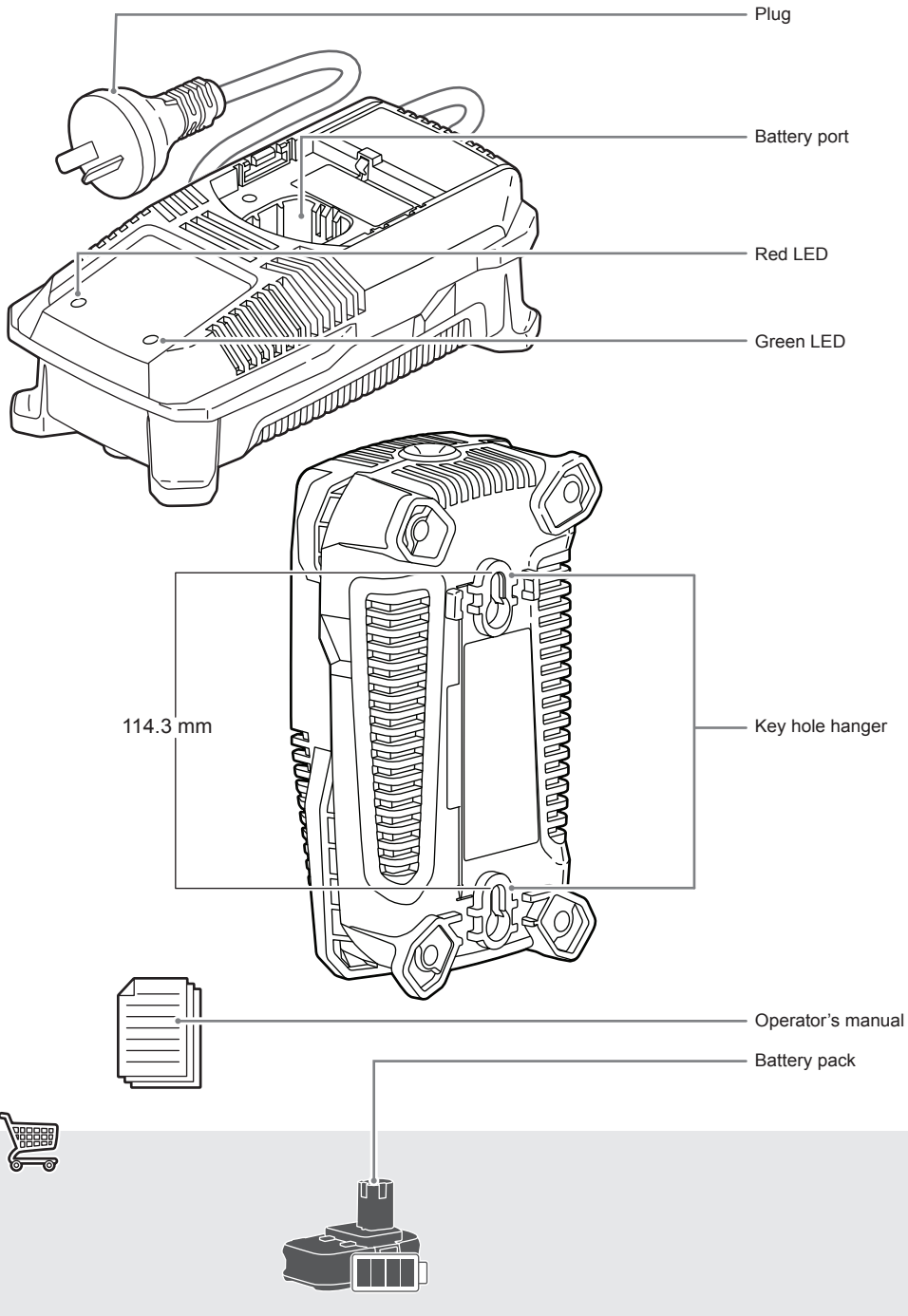
Disconnect from the power supply

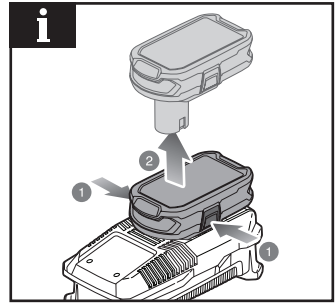
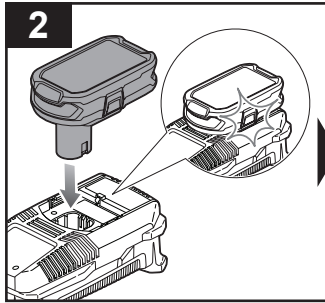
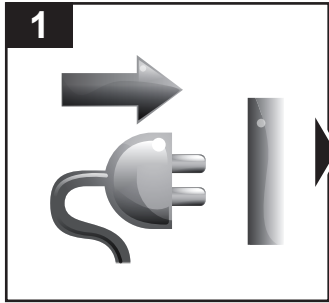
COMPATIBLE BATTERY PACKS

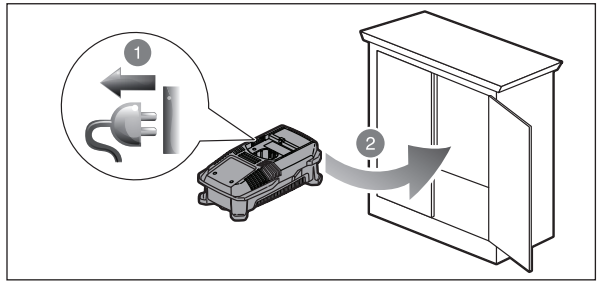
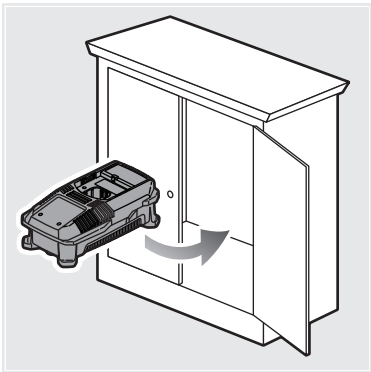
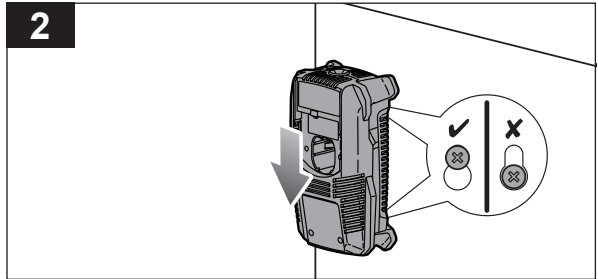
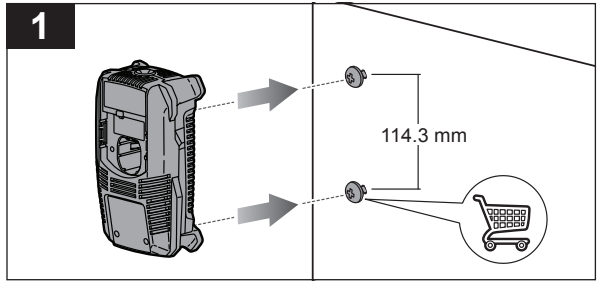
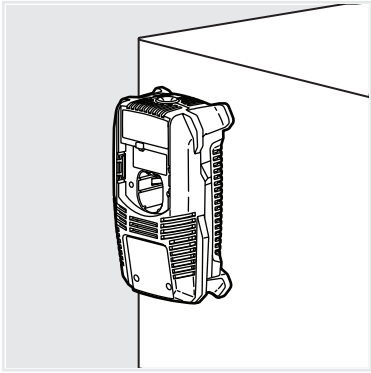
Battery Pack	Voltage	Charger Input	Battery type	Battery Capacity	Number of Cell for Battery
RB18L15	18 V ---	220 - 240V ~ 50 Hz 85 W Max.	Lithium-Ion	1.5 Ah	5
RB18L15A				1.5 Ah	5
RB18L15B				1.5 Ah	5
RB18L20				2.0 Ah	5
RB18L20A				2.0 Ah	5
RB18L25				2.5 Ah	5
RB18L25A				2.5 Ah	5
RB18L40				4.0 Ah	10
RB18L40A				4.0 Ah	10
RB18L50				5.0 Ah	10
RB18L50A				5.0 Ah	10
RB18L60A				6.0 Ah	10
RB18L90A				9.0 Ah	15

LED CHARGE INDICATOR

CHARGER LED INDICATOR	BATTERY PACK STATUS	RED LED	GREEN LED	ACTION	
 POWER ON	Without battery pack	ON	OFF	Ready to charge battery pack.	
 EVALUATE	Hot battery pack	Flashing	OFF	When battery pack reaches cooled temperature, charger begins fast charge mode.	
	Cold battery pack	Flashing	OFF	When battery pack reaches warmed temperature, charger begins fast charge mode.	
	Deeply discharged	Flashing	OFF	Charger pre-charges battery until normal voltage is reached, then begins fast charge mode.	
 DEFECTIVE	Defective	Flashing	Flashing	Battery pack or charger is defective.	
	<ul style="list-style-type: none"> • If defective, try to repeat the conditions a second time by removing and reinstalling the battery pack. If the LED status repeats a second time, try charging a different battery. • If a different battery charges normally, dispose of the defective pack (see Maintenance section). • If a different battery also indicates "Defective," the charger may be defective. 				
 CHARGING	Charging	Fast charging	OFF	Flashing	—
 CHARGED	Full	—	OFF	ON	Charging complete








PRODUCT SPECIFICATIONS

Charger

Model	RC18130
-------	---------

Charger

Input	220 - 240V ~ 50 Hz 85 W Max.
-------	------------------------------

Output	18 V  3A
--------	---

Weight - excluding battery pack	0.57 kg
---------------------------------	---------

Battery Pack

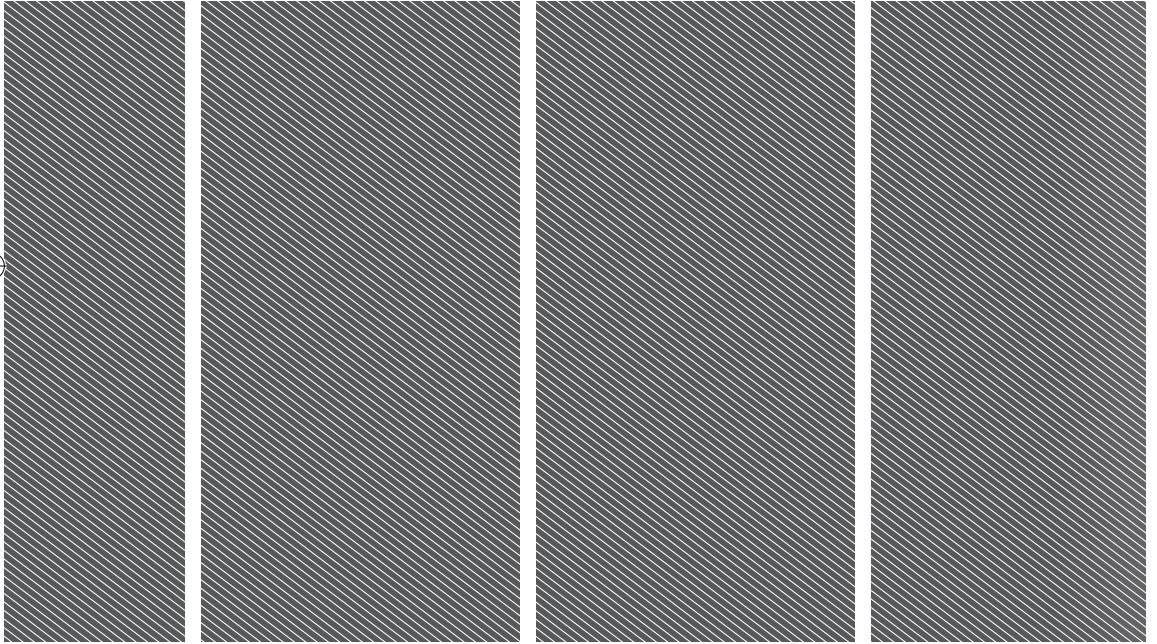
Voltage	18 V 
---------	--

Battery type	Lithium-Ion
--------------	-------------

Operating temperature	10°C - 38°C
-----------------------	-------------







Imported by:
Techtronic Industries Australia Pty Ltd
31 Gilby Road, Mount Waverley, VIC 3149
Melbourne, Australia

Techtronic Industries N.Z. Limited
Unit C, 70 Business Parade South,
Highbrook, Auckland 2013, New Zealand

RYOBI is a trade mark of Ryobi Limited, and is used under license.

961075695-01

