

# jumbuck®



## Medina Kettle BBQ Charcoal Grill

- Cooking Surface: 540mm Diameter Grill
- Black Porcelain Enamel Finish
- Heat Resistant Bakelite Handles
- Powder Coated Steel Legs
- Aluminium Ash Catcher
- Vent To Control Air Flow In Lid
- Dimensions: 570Dx985Hmm



Grill



Cooking  
Surface



Solid Fuel



# Jumbuck HS-CB23A Medina Charcoal Grill BBQ (0434338)

## IMPORTANT SAFETY INSTRUCTIONS



- For outdoor use only.
- Improper installation, adjustment, alteration, service or maintenance can cause property damage, injury or death. Read the installation instructions thoroughly before installing this equipment.
- Warning: accessible parts may be very hot. Keep young children away.
- Do not move the appliance during use.
- Any modification of the appliance may be dangerous.
- Installer to leave instructions with the consumer and consumer to retain them for future reference.
- Dispose of all polythene packing carefully and keep out of the reach of children

**IMPORTANT: READ THE ASSEMBLY INSTRUCTIONS IN THIS BOOKLET BEFORE REMOVING THE CONTENTS OF THIS CARTON**

## IMPORTANT SAFETY INSTRUCTIONS



This appliance must only be used in an above ground open-air situation with natural ventilation, without stagnant areas, where products of combustion are rapidly dispersed by wind and natural convection

- This BBQ is an **outdoor appliance only**. Under no circumstances should it be use indoors.
- Do not store chemicals or flammable materials near this appliance.
- Unsupervised children should not be near the BBQ while cooking or during warm up or cool down.
- People with flammable clothing such as nylon etc. should keep well away from the BBQ when it is operating.

- |        |  |
|--------|--|
| DO NOT | OPERATE THIS APPLIANCE BEFORE READING THE INSTRUCTION BOOKLET                |
| DO NOT | PLACE ARTICLES ON OR AGAINST THIS APPLIANCE                                  |
| DO NOT | STORE CHEMICALS OR FLAMMABLE MATERIALS OR SPRAY AEROSOLS NEAR THIS APPLIANCE |
| DO NOT | OPERATE THIS APPLIANCE INDOORS   |
| DO NOT | ENCLOSE THIS APPLIANCE   |
| DO NOT | LIGHT OR OPERATE WITH THE COVER ON (COVER NOT INCLUDED)                      |

**jumbuck**

## Lighting the charcoal BBQ

- solid fuel is to be used for this product (fire wood, charcoal etc.)
- place solid fuel onto the charcoal grid and light using fire starters
- let the solid fuel light (check occasional to ensure fire is lit)
- ensure air vents are in the open position to enable solid fuel to burn
- the air vent on the BBQ can be used regulate the air circulation in the BBQ
- closing the vent will reduce air circulation and in turns reduces heat
- opening the vent will increase air circulation and increases heat

## Cooking

- ensure solid fuel is lit and that there is sufficient heat for cooking
- place food on the cooking grill
- regularly monitor temperature to ensure food is not under or over cooked

## Cleaning

- once finish cooking, remove left over solid fuel from the BBQ
- always ensure BBQ is clean and free from oil or grease (internally and externally) to ensure longevity of the BBQ
- always keep BBQ dry and under cover to protect from weather and moisture

## Pre-caution

- always ensure hands are protected when putting or removing food from the BBQ
- always ensure BBQ is cool before touching or cleaning the internal areas
- always ensure hands are protected when making adjustments to the air vent

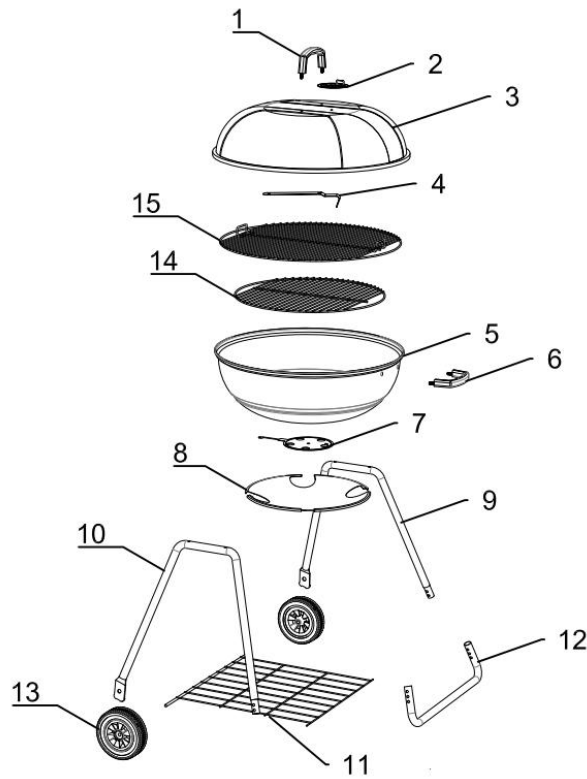
## Important Notes

- do not use this BBQ indoors.
- do not use this BBQ inside a tent, gazebo or within a confined space.
- this BBQ will become very hot during and for some time after use. Keep children away from the BBQ and do not touch metal parts of the BBQ when in use
- use suitable gloves for protection, especially when loading the BBQ with coal or charcoal
- we recommend protecting your BBQ when not in use with a cover to protect it from weather exposure

The logo for Jumbuck, featuring the brand name in a bold, white, lowercase sans-serif font. The letter 'j' has a small circle above it. The text is centered within a dark grey rounded rectangular background, which is itself set against a larger, light grey semi-circular shape at the bottom of the page.

**jumbuck**








## EXPLODED VIEW & PARTS CODE





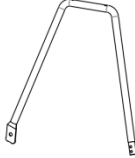
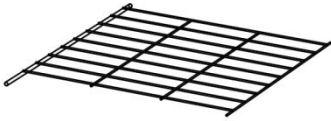
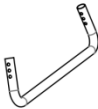

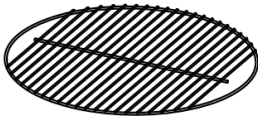
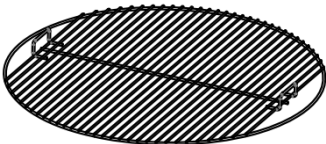
Parts Number	Parts Name	Parts Code
1	Lid Handle	CB23A01
2	Top Air Vent	CB23A02
3	Lid	CB23A03
4	Lid Hook	CB23A04
5	BBQ Body	CB23A05
6	Side Handle	CB23A06
7	Bottom Air Vent	CB23A07
8	Ash Tray	CB23A08
9	Right Leg	CB23A09
10	Left Leg	CB23A010
11	Wire Shelf	CB23A011
12	Front Leg	CB23A012
13	Wheel	CB23A013
14	Charcoal Grid	CB23A014
15	Cooking Grill	CB23A015

**jumbuck**






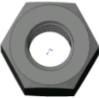




# CARTON CONTENTS

Assembly Reference#	Description	Part#	Illustration	Quantity
1	Lid Handle	CB23A01		1
2	Top Air Vent	CB23A02		1
3	Lid	CB23A03		1
4	Lid Hook	CB23A04		1
5	BBQ Body	CB23A05		1
6	Side Handle	CB23A06		1
7	Bottom Air Vent	CB23A07		1

**jumbuck**

8	Ash Tray	CB23A08		1
9	Right Leg	CB23A09		1
10	Left Leg	CB23A010		1
11	Wire Shelf	CB23A011		1
12	Front Leg	CB23A012		1
13	Wheel	CB23A013		2
14	Charcoal Grid	CB23A014		1
15	Cooking Grill	CB23A015		1

# HARDWARE PACK CONTENTS

Reference#	Description	Illustration	Quantity
A	Bolt M5 x 10 mm		2
B	Bolt M5x32mm		4
C	Bolt M6x35mm		4
D	Nut M5		4
E	Nut M6		4
F	Nut M8		2
G	Lock Washer Ø5.0 mm		2
H	Flat Washer Ø6.0 mm		12
I	Wing NutM5		2
J	Wing NutM6		4

# ASSEMBLY INSTRUCTIONS

## ASSEMBLY TIPS

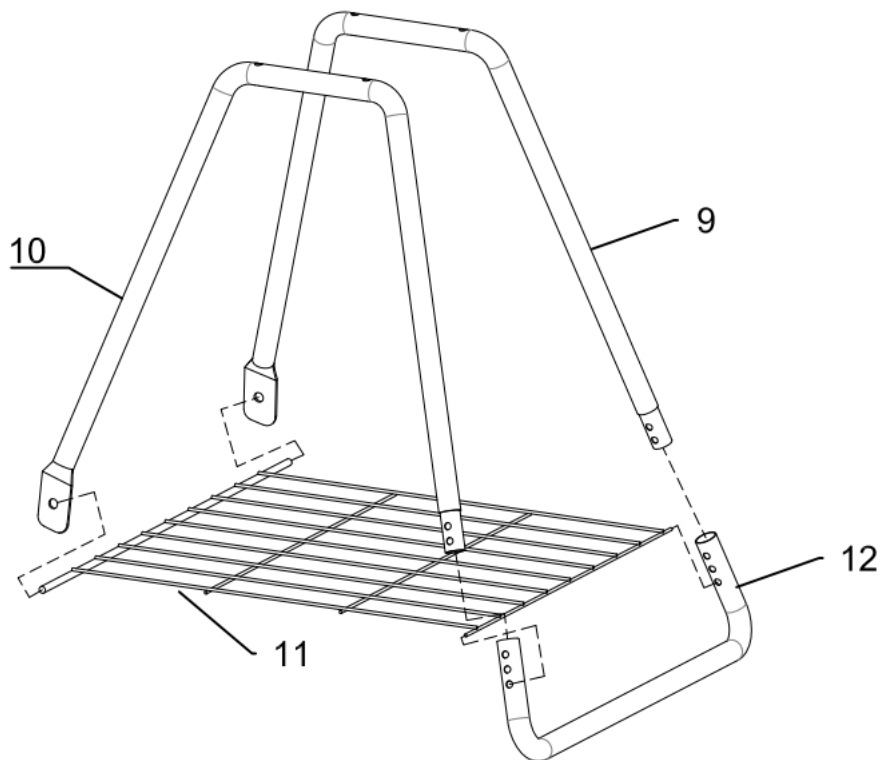
- Remove all contents from packaging, and make sure all the parts are present before attempting to assemble!
- Tighten all bolt connections by hand first.
- When the BBQ is fully assembled, retighten the screws, nuts and bolts by using a wrench and screw driver.

## TOOLS REQUIRED

- Philips screwdriver
- Pliers or adjustable spanner

### STEP 1

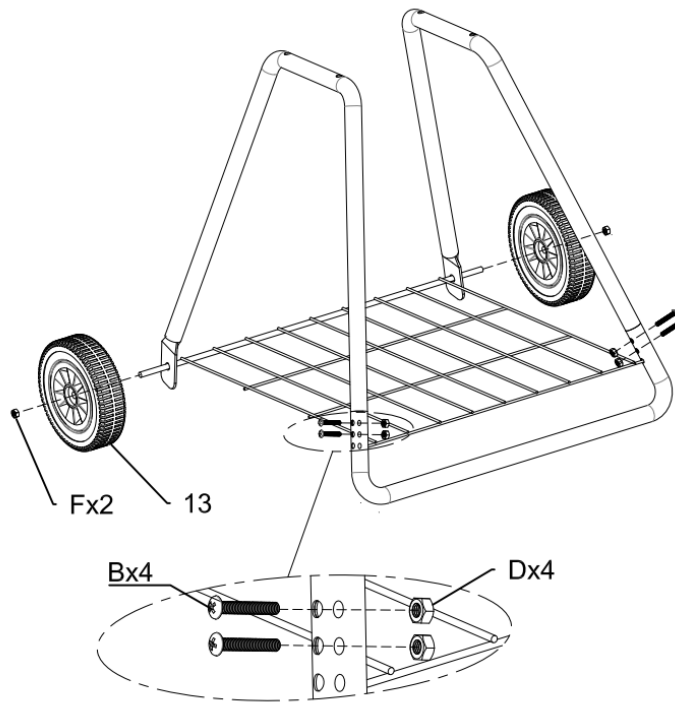
Insert Left Leg (Part 10) and Right Leg (Part 9) to the Front Leg (Part 12), as per illustration, and then assemble Bottom Shelf (Part 11) to the legs.



**jumbuck**

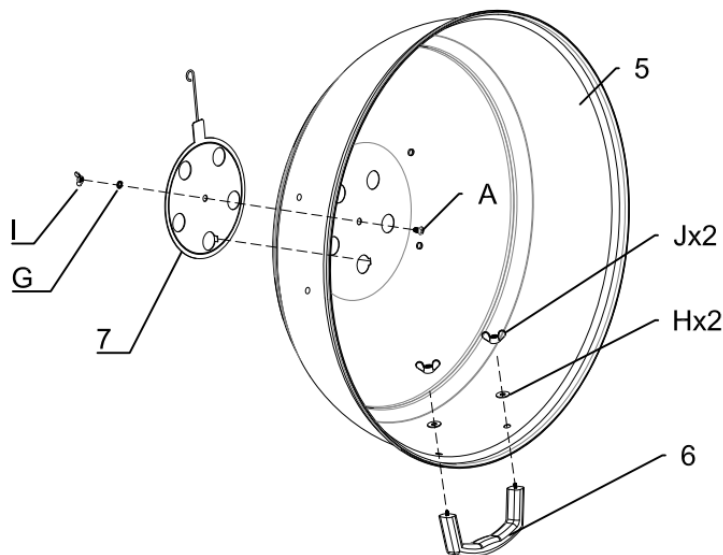
## STEP 2

Assemble the wheel axle through the Left & Right Legs to the Wheel (Part 13 x 2). Secure by using Nut M8 (Part F x 2). Secure Front Leg (Part 12) to the Left and Right Legs by using Bolt M5x32mm (Part B) and Nut M5 (Part D). Refer to the illustration below.



## STEP 3

Assemble Bottom Air Vent (Part 7) to the BBQ Body (Part 5) as per illustration below. Use Bolt M5x10mm (Part A), Lock Washer  $\varnothing 5.0$  mm (Part G) and Wing Nut (Part I) to secure. Assemble Side Handle (Part 6) to the BBQ Body (Part 5) as per illustration below. Use Wing Nut (Part Jx2) and Flat Washer (Part H x 2) to secure Side Handle (Part 6).

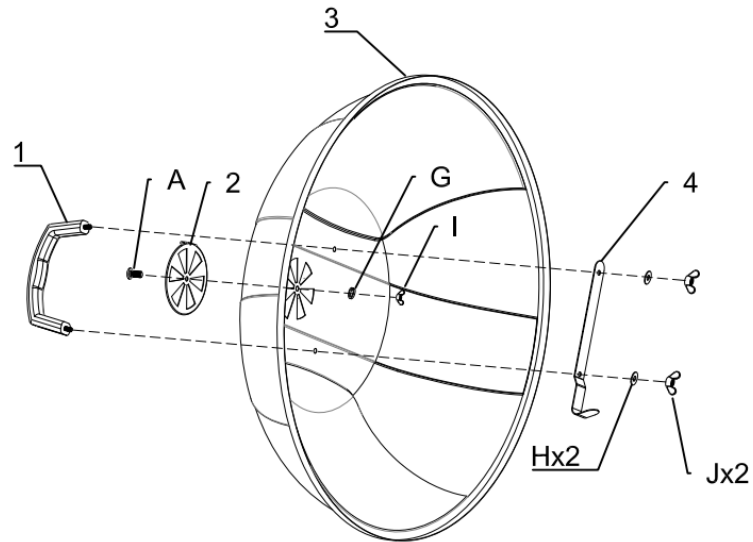


**jumbuck**

#### STEP 4

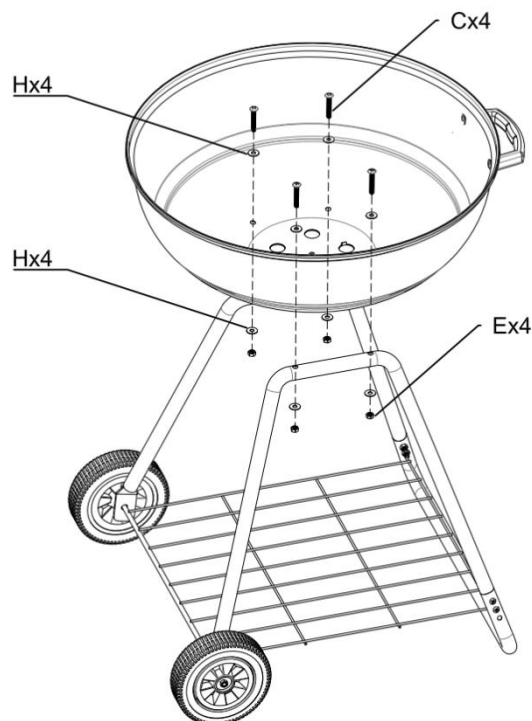
Assemble Top Air Vent (Part 2) to the Lid (Part 3) as per illustration. Use Bolt M5x10mm (Part A), Lock Washer  $\text{\O}5.0\text{mm}$  (Part G) and Wing Nut (Part I) to secure.

Assemble Lid Handle (Part 1) and Lid Hook (Part 4) as per illustration below. Use Lock Washer  $\text{\O}6.0\text{mm}$  (Part Hx2) and Wing Nut (Part Jx2) to secure.



#### STEP 5

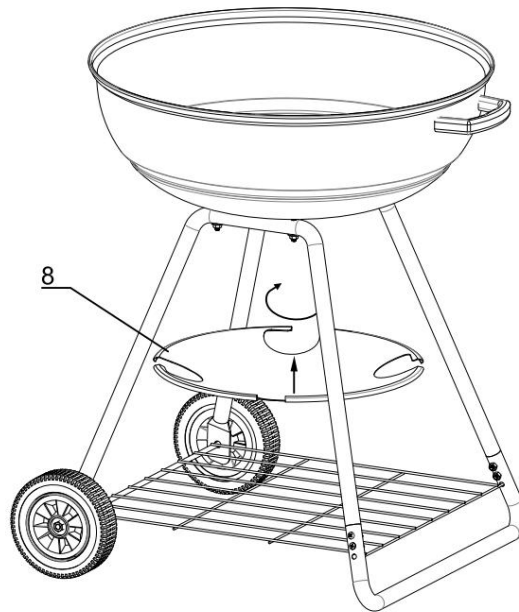
Assemble BBQ Body (Part 5) to the legs as per illustration below. Use Flat Washer  $\text{\O}6.0\text{mm}$  (Part Hx8), Bolt M6x35mm (Part Cx4) and Nut M6 (Part Ex4) to secure.



**jumbuck**

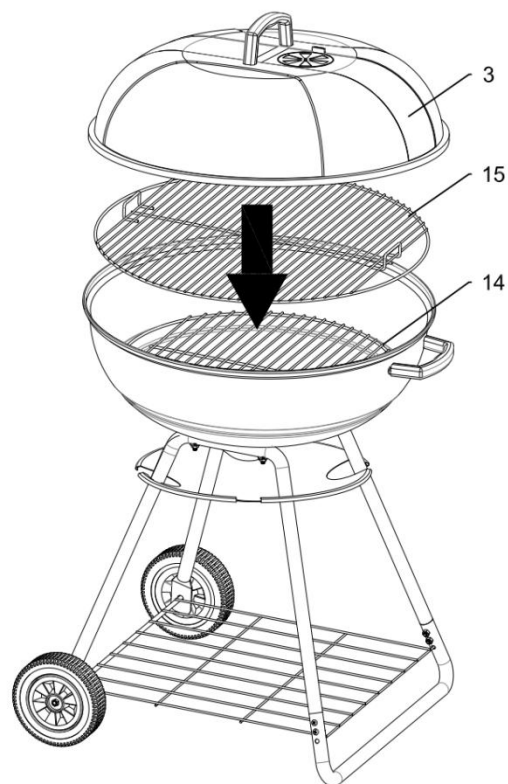
## STEP 6

Install the Ash Tray (Part 8) on to the legs of the assembled BBQ by lifting the Ash Tray (Part 8) and turning it in a clockwise movement until the grooves of the tray are latched on to the legs of the BBQ.



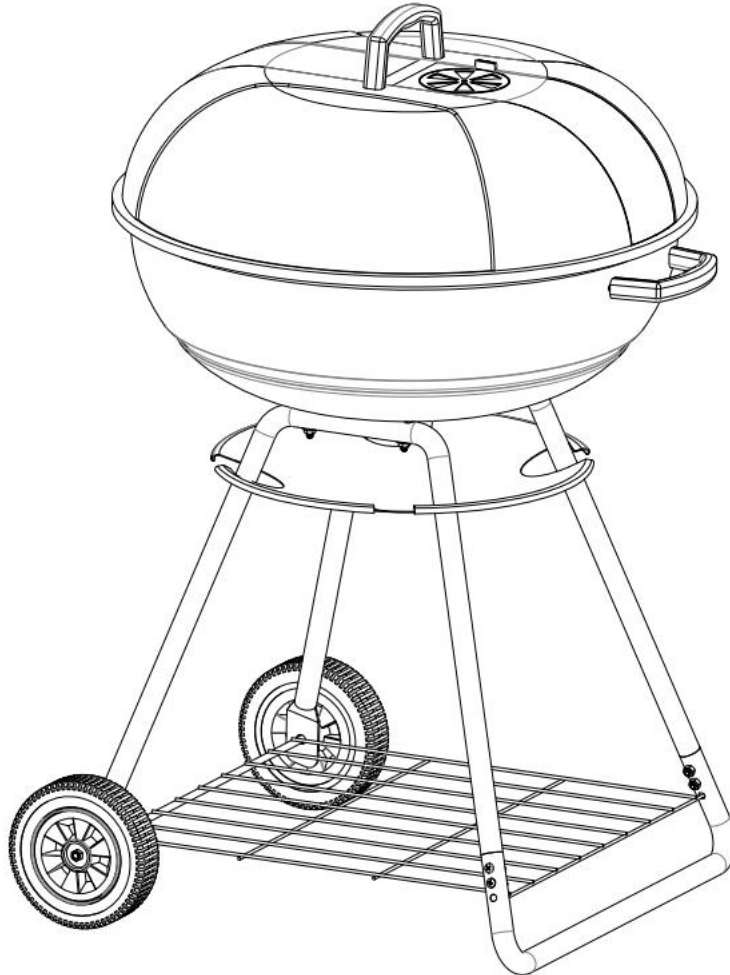
## STEP 7

Place Charcoal Grid (Part 14), Cooking Grill (Part 15) and Lid (Part 3) into the BBQ Body (Part 5) as per illustration below.



**jumbuck**

# Fully-Assembled



Your BBQ is now ready for use.  
Please take care when lighting your BBQ.  
Always keep children away from this BBQ at all times.

**jumbuck**



## WARRANTY

Thank you for purchasing one of our quality Jumbuck BBQs.

**YOUR JUMBUCK BBQ IS COVERED AGAINST DEFECTS FOR A PERIOD OF 12 MONTHS FOR PARTS AND LABOUR, REPAIR OR REPLACEMENT**

**THIS WARRANTY EXCLUDES SURFACE RUST AND DAMAGE CAUSE BY ABUSE OR NEGLIGENCE**

### CONDITIONS OF THE WARRANTY

- The appliance must be operated and maintained in accordance with the instructions supplied in the operating manual.
- Any repair does not extend the warranty period.
- Any parts other than original Jumbuck parts will void this warranty.

### FOR WARRANTY CLAIMS

**The warranty for Australia is given by :**

Genesis International Corp Pty Ltd

1/71 Truganina Road

Malaga

Western Australia 6090

AUSTRALIA

(08) 9248 9822

[service@genesiscorp.com.au](mailto:service@genesiscorp.com.au)

Proof of purchase must be presented.

**The warranty for New Zealand is given by :**

Bunnings NZ Limited

PO Box 14436,

Panmure, Auckland, 1471

NEW ZEALAND

(09) 978 2200

[marketing@bunnings.co.nz](mailto:marketing@bunnings.co.nz)

Proof of purchase must be presented.

Any claims under this warranty must be made within 12 months of the date of purchase of the product.





## WARRANTY

### For Australian Customers

To make a claim under the warranty, please contact Genesis International Corp at [service@genesiscorp.com.au](mailto:service@genesiscorp.com.au) or return the product (with proof of purchase) to any Bunnings store. Visit [www.bunnings.com.au](http://www.bunnings.com.au) for store locations.

Genesis Australia bears reasonable, direct expenses of claiming under the warranty. You may submit details and proof to us for consideration.

The warranty covers manufacturer defects in materials, workmanship and finish under normal use.

This warranty is provided in addition to other rights and remedies you may have under law: our goods come with guarantees which cannot be excluded under the Australian Consumer Law. You are entitled to replacement or refund for a major failure and to have the goods repaired or replaced if the goods fail to be of acceptable quality and the failure does not amount to a major failure.

The warranty excludes damage resulting from product misuse or product neglect. The warranty covers domestic use only and does not apply to commercial applications.

### For New Zealand Customer

Any claim under this warranty must be made within 12 months of the date of purchase of the product. To make a claim under the warranty, take the product (with proof of purchase) to any Bunnings store. Visit [www.bunnings.co.nz](http://www.bunnings.co.nz) for store locations.

Bunnings NZ Ltd bears reasonable, direct, expenses of claiming under the warranty. You may submit details and proof to our store for consideration.

The warranty covers manufacturer defects in materials, workmanship and finish under normal use.

This warranty is provided in addition to other rights and remedies you may have under law: our goods come with guarantees which cannot be excluded under the Consumer Guarantees Act 1993 (NZ). You are entitled to replacement or refund for a major failure and to compensation for other reasonably foreseeable loss or damage. You are also entitled to have the goods repaired or replaced if the goods fail to be of acceptable quality and the failure does not amount to a major failure.

Goods presented for repair may be replaced by refurbished goods of the same type rather than being repaired. Refurbished parts may be used to repair the goods.

The warranty excludes damage resulting from product misuse or product neglect. The warranty covers domestic use only and does not apply to commercial applications.





# WARRANTY

## WHAT IS NOT COVERED IN THE WARRANTY

- Removal or re-installation costs. This warranty does not cover costs for transit, nor in home service
- Liability will only be accepted for loss or damage during transit if at the time the product was being transported by Bunnings or a Bunnings approved contractor
- Lack of maintenance, abuse, neglect, misuse, accidental or improper installation of this appliances
- Scratches, dents, corrosion or discoloration caused by heat, abrasive chemicals cleaners
- Corrosions or damage caused by exposure to elements such as insects, weather, hail or grease and fat fires
- Rusting of the grill
- Cleaning and wear and tear, service calls of this nature are chargeable
- Commercial use of this product
- Unauthorized repairs or modification during warranty period

## RECORD THE FOLLOWING INFORMATION

Attached the copy of the purchase receipt here

Date of Purchase.....

Purchased From.....

Location.....

Model Name and Number.....

Serial Number.....

Receipt Number.....

Note: The serial number is located either on the outside of the packing carton or inside the appliance

## FOR TECHNICAL ASSISTANCE

**For Australia customers** if you experience any technical issues with your JUMBUCK BBQ, in the first instance review the instructions manual or contact the warranty service agent

**For New Zealand customers** if you experience any technical issues with your JUMBUCK BBQ, in the first instance review the instructions manual or contact your local Bunnings warehouse

## FOR SPARE PARTS

Call your local Bunnings warehouse and ask them to order a part for you. You should provide the following information:

Model of BBQ  
.....

Year of Purchase  
.....

Name of warranty service company  
.....

Part that requires replacement (refer to the parts list in the instructions manual)  
.....

