



Specialist Disability
Accommodation (SDA)
Fully Accessible Design
Product Solutions



Your partner for Specialist Disability Accommodation (SDA) solutions

The Bunnings Commercial team is here to service you from the front gate to the back fence. We are committed to bringing you the most trusted brands that specialise in products tailored specifically for individuals living with a disability and supportive of Specialist Disability Accommodation (SDA). Across all building stages we've got you covered for your SDA Fully Accessible projects.

With over 130 years of supplying building and hardware solutions, Bunnings can supply everything from timber frames and trusses, to flooring, joinery, kitchens, appliances, commercial grade windows, façades, plumbing, lighting and more to cover all elements of an SDA Fully Accessible design. We're much more than a supplier, we're your partner. In addition to all the specialist products required for an SDA build, we can also supply you with:

- ✓ Foundations and Footings
- ✓ Heating, Cooling and Ventilation
- ✓ Windows
- ✓ Hot Water solutions
- ✓ External Cladding
- ✓ Outdoor Timber
- ✓ Roofing
- ✓ Fencing
- ✓ Insulation
- ✓ Fasteners and Fixings

© Bunnings Group Limited February 2026

The information contained in this publication is intended for qualified and experienced building professionals, is of a general nature, and draws information from the NDIS Specialist Disability Accommodation Design Standard (Edition 1.1 Issue Date 25 October 2019) as a guide only. See below for details. It does not take into account individual circumstances, objectives or applicable requirements at law or otherwise. You should not act on the basis of or rely on this information without checking that the information is still current, satisfying yourself the solutions and products proposed meet your or your client's specific needs and where applicable, obtaining advice from a suitably qualified professional. Any claims of product compliance, including with respect to the applicable Australian Standards or suitability in terms of meeting the NDIS Specialist Disability Accommodation Design Standard have been provided by our product suppliers and have not been independently verified by Bunnings. Installation is your responsibility unless Bunnings agrees to supply and manage installation for applicable products, such as joinery and flooring. Photos used in this publication are for illustrative purposes only and products that are available for sale may vary. Some products listed may not be available for immediate purchase.

The NDIS Specialist Disability Accommodation Design Standard (Edition 1.1 Issue Date 25 October 2019 www.ndis.gov.au/sda) licensed by the National Disability Insurance Agency (NDIA) under a Creative Commons Attribution 4.0 International Licence CC BY 4.0 has been used in the creation of this publication. The information in this publication is considered accurate at the time of publishing.



Member of the SDA Alliance



As a national peak body, the SDA Alliance represents SDA market participants across the country. We aim to drive better housing outcomes for people with disability that enhance independence, wellbeing, and quality of life. Our members include SDA providers, institutional investors, developers, builders, financial institutions, allied health professionals and industry consultants. Our members make a significant impact on the lives of people with disability- by providing housing that is safe, innovative and designed to serve the the needs of SDA participants.

Leading Brands

fienza

Established in 2009, Fienza is a leading Australian brand that aims to be known for beautiful, quality products that are backed by industry leading warranties. They provide a range of functional and stylish solutions for bathroom accessibility, offering a broad selection of products meeting crucial AS 1428.1 requirements. Choose from a variety of finishes to create an elegant and sophisticated bathroom space with Fienza products.

euro appliances

Euro Appliances and the Eurostyle Group is an Australian owned and operated company, established in 2002. Since then, the Euro brand has continually evolved to become a household name within the appliance industry. All their appliances are covered by a three-year full parts and labour warranty. Euro Appliances aim to always provide a high standard of customer assistance, with an Australian based service team that can assist with any information or queries regarding their products.



LEMAAR



Environmental, Social and Governance at Bunnings

Responsible sourcing

At Bunnings, we're committed to ensuring the products we sell, come from legal and sustainable operations, with good working conditions and fair treatment of people. As such, we continue to pursue sustainability by striving to make them socially responsible, environmentally aware and economically viable.

Sustainability

We are also committed to helping customers live more sustainably, and we are proud of the role we play in supporting local communities to make a positive difference. We recognise that our business plays an important role in reducing carbon emissions and addressing climate change. We have a comprehensive roadmap in place to reduce our energy consumption and to transition towards using more renewable energy sources.

In our Community

Bunnings is committed to participating in the communities in which we operate by contributing to local, regional and national causes, charities and organisations throughout Australia and New Zealand. We provide ongoing assistance to a wide range of local community groups including schools, sporting clubs and service clubs.



[For full details on our responsible sourcing, sustainability or community commitments click here](#)

Fully Accessible

Specialist Disability Accommodation (SDA) with the design category of **Fully Accessible** is designed for individuals with significant physical impairments, or very high support needs. This accommodation type is tailored for people with different physical abilities, such as those who may use a wheelchair.

Fully Accessible dwellings include features that focus on ease of navigation and use, such as wide doorways, ramps instead of stairs, handrails, and accessible bathroom facilities. Additionally, they may be equipped with features that support the physical needs of the occupants, such as adjustable kitchen benches, emergency call systems, and spaces that allow for the use of assistive devices like hoists.

The goal of SDA built to Fully Accessible standards, is to create an environment that aims to enhance the life of its residents through comfortable, safe and empowered living.

When building to the SDA Fully Accessible standards, additional consideration will need to be given to the selection of many materials and products, including:

- Wall coverings
- Entry ways, doors and door furniture
- Front-of-wall plumbing and tapware
- Electrical and light switches
- Adjustable joinery and benchtops
- Appliances



Euro Appliances



PRODUCT CATEGORIES

Doors & Door Hardware

Floor & Wall Linings

Electrical

Assistive Technology

Kitchen & Laundry

Bathroom

*The NDIS SDA Design Standard (SDA) must be consulted with respect to design and compliance requirements. The products presented in this catalogue also rely on correct installation to meet the requirements of AS1428.

DOORS & DOOR HARDWARE

Introduction Entrance

Doors

External Doors

Internal Doors

Door Hardware

[Home](#)

INTRODUCTION

The SDA Design Standard specifies the following door and door hardware requirements for Fully Accessible builds*:

- Doorways should have a minimum opening clearance of 900mm with AS1428.1 compliant door handles installed at between 900mm to 1100mm above the finished floor level
- All internal doorways should have a level, step-free transition and threshold (maximum vertical tolerance of 3mm vertical or 5mm between abutting surfaces is allowable provided the lip is rounded or bevelled)
- Door automation can be provided in lieu of door circulation spaces that are required as per AS1428.1 to the latch side of the door

The NDIS SDA Design Standard (SDA) must be consulted with respect to design and compliance requirements. The products presented in this catalogue also rely on correct installation to meet the requirements of AS1428.

Entrance Doors

Door Entrance Newington XN5 Translucent Glass



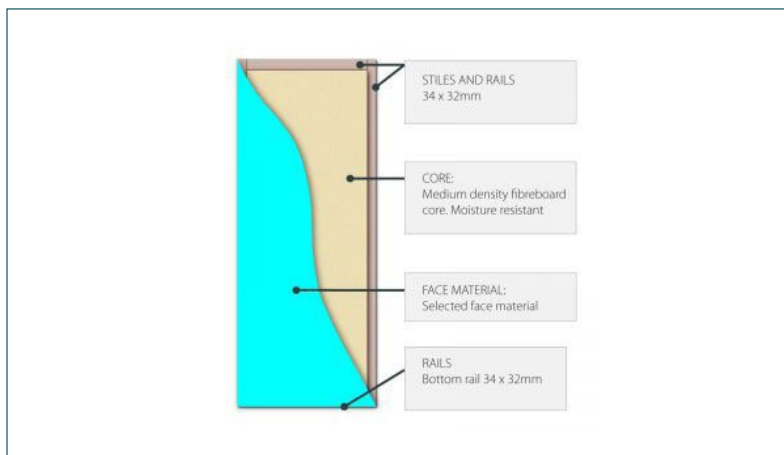
I/No: 0082441 **Supplier Code:** XN5

Product Dimensions: 2340mm H x 920mm W x 40mm D **Warranty:** 5-Year



Product Features:

- Solid core construction engineered for strength and stability
- Timeless design with laminated glass panel
- Laminated duracote
- Translucent glass



0082241	2340mm H x 1020mm W x 40mm D
0998842	2040mm H x 1020mm W x 40mm D

[Click here for more product information](#)

*By clicking this link you are being taken to an external website.

[Home](#)

Entrance Doors

Door Entrance Savoy



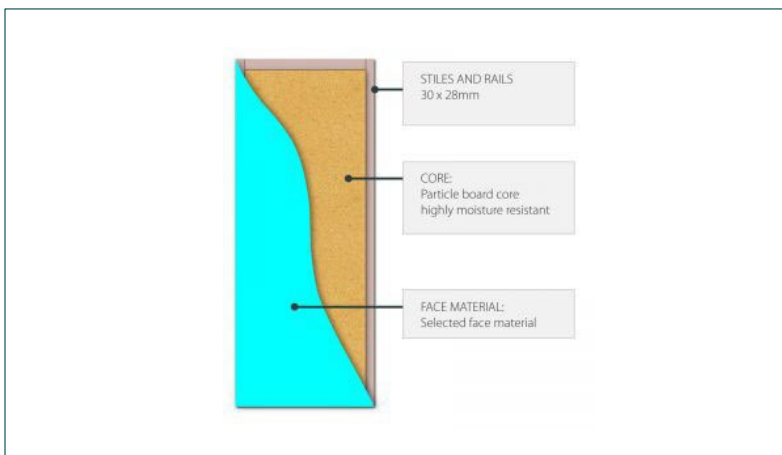
I/No: 0082475 Supplier Code: XS26

Product Dimensions: 2340mm H x 1020mm W x 40mm D Warranty: 5-year



Product Features:

- Layered timber core
- Joinery veneer
- Glass infill with translucent glass



0082475	2340mm H x 1020mm W x 40mm D
0082474	2040mm H x 1020mm W x 40mm D

[Click here for more product information](#)

*By clicking this link you are being taken to an external website.

[Home](#)

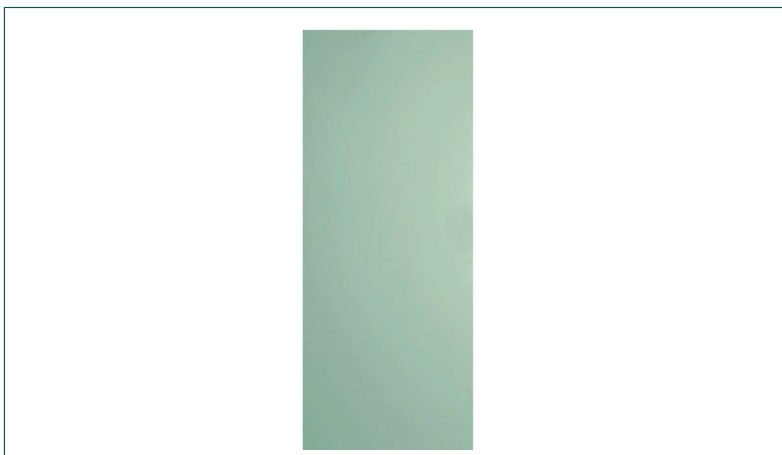
External Doors

Door External/Internal Flush Solicore SCX1



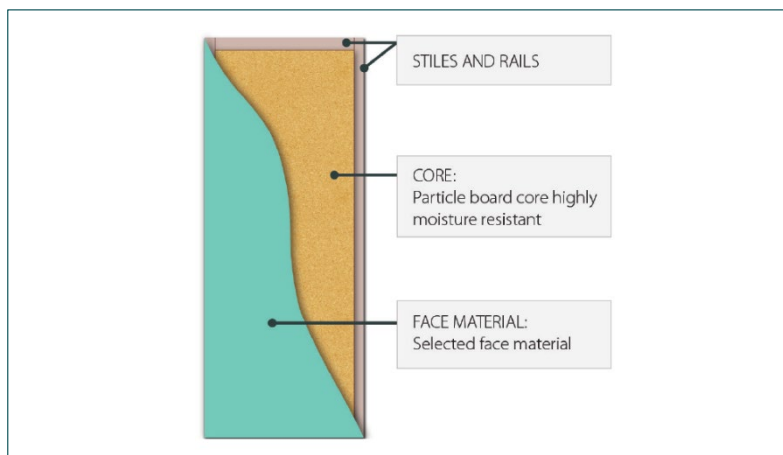
I/No: 0619327 Supplier Code: SCX1

Product Dimensions: 2340mm H x 1020mm W x 40mm D Warranty: 5-year



Product Features:

- Solid construction
- Pre primed ready for paint
- Timber stiles and rails
- Solicore particleboard core construction



0619327	2340mm H x 1020mm W x 40mm D
0619332	2040mm H x 1020mm W x 40mm D

[Click here for more product information](#)

*By clicking this link you are being taken to an external website.

[Home](#)

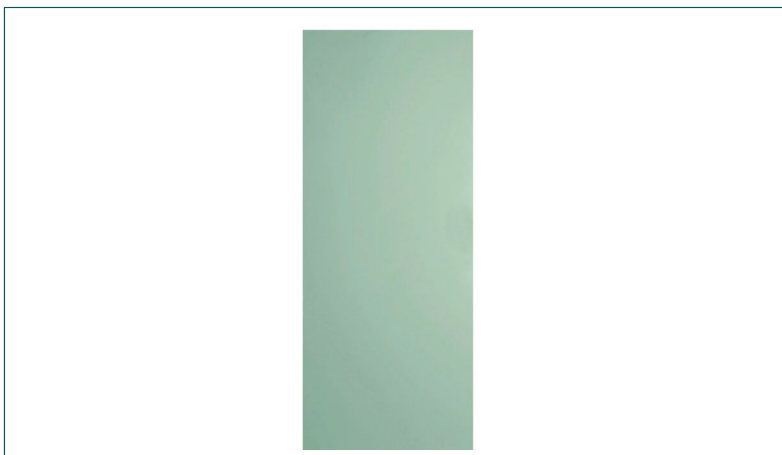
Internal doors

Door Internal Flush Solicore



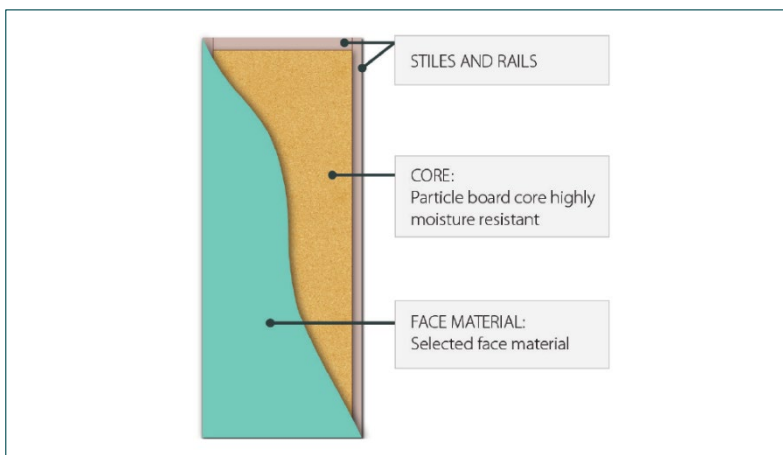
I/No: 2010212 **Supplier Code:** SCX1

Product Dimensions: 2040mm H x 1020mm W x 35mm D **Warranty:** 5-year



Product Features:

- Solid construction
- Pre primed ready for paint
- Timber stiles and rails
- Solicore particleboard core construction



[Click here for more product information](#)

*By clicking this link you are being taken to an external website.

[Home](#)

Pull Handles

Duke D Pull Handle 300mm

ZANDA
ARCHITECTURAL HARDWARE

I/No: 0751949 **Supplier Code:** 7111.BB.SS

Product Dimensions: 330mm L x 300x10mm W x 55mm D **Warranty:** 20-year



Product Features:

- Can be installed to comply with AS1428
- Constructed of 316 marine grade stainless steel

0751949	Stainless Steel	
0751952	Graphite Nickel	
0751959	Satin Brass	
0751970	Mott Black	

[Click here for more product information](#)

*By clicking this link you are being taken to an external website.

[Home](#)

Pull Handles

Duke D Pull Handle 600mm



I/No: 0751920 **Supplier Code:** 7113.BB.BLK

Product Dimensions: 630mm L x 30x10mm W x 55mm D **Warranty:** 20-year



Product Features:

- Can be installed to comply with AS1428
- Constructed of 316 marine grade stainless steel

0751920	Matt Black	
0751887	Stainless Steel	
0751901	Graphite Nickel	
0751911	Satin Brass	

[Click here for more product information](#)

*By clicking this link you are being taken to an external website.

[Home](#)

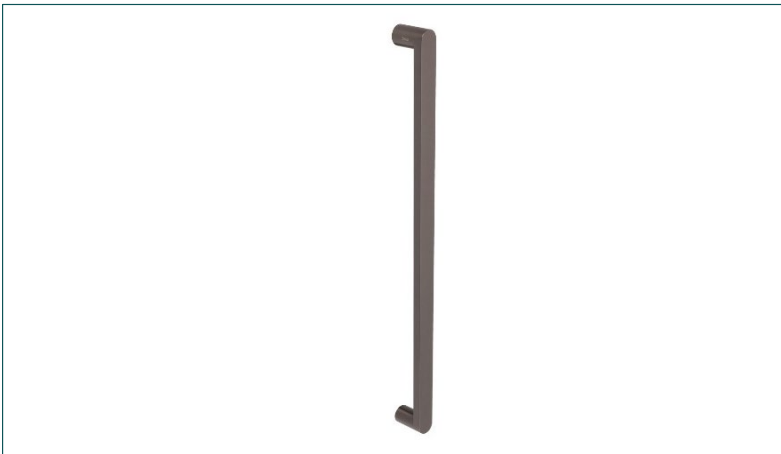
Pull Handles

Duke D Pull Handle 900mm

ZANDA
ARCHITECTURAL HARDWARE

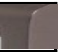



I/No: 0752108 **Supplier Code:** 7114.BB.GN

Product Dimensions: 930mm L x 30x10mm W x 55mm D **Warranty:** 20-year



Product Features:

- Can be installed to comply with AS1428
- Constructed of 316 marine grade stainless steel

0752108	Graphite Nickel	
0752084	Satin Brass	
0752077	Matt Black	
0751911	Stainless Steel	

[Click here for more product information](#)

*By clicking this link you are being taken to an external website.

[Home](#)

Mortice Lock Set

Mortice Lock Set Graphite Nickel



I/No: 0791817 Supplier Code: Multiple

Product Dimensions: 85mm W x 175mm H x 25mm D Warranty: 10-year



Product Features:

- 60mm backset fire rated mortice lock
- Use Duke return passage set, turnsnib escutcheon, and oval cylinder for complete entrance set solution
- Warranty:
- Mortice lock 10 Year
- Passage set 25 Year
- Turnsnib 7 Year
- Accessible compliant



0719817	Mortice Lock
0751939	Duke Return Passage Set
0751986	Turnsnib Escutcheon
0791689	Oval Cylinder

[Click here for more product information](#)

*By clicking this link you are being taken to an external website.

[Home](#)

Mortice Lock Set

Mortice Lock Set Satin Brass



I/No: 0751918 **Supplier Code:** Multiple

Product Dimensions: 85mm W x 175mm H x 25mm D **Warranty:** 10-year



Product Features:

- 60mm backset fire rated mortice lock
- Use Duke return passage set, turnsnib escutcheon, and oval cylinder for complete entrance set solution
- Warranty:
- Mortice lock 10 Year
- Passage set 25 Year
- Turnsnib 7 Year
- Accessible compliant



0751918	Mortice Lock
0751935	Duke Return Passage Set
0752019	Turnsnib Escutcheon
0791832	Oval Cylinder

[Click here for more product information](#)

*By clicking this link you are being taken to an external website.

[Home](#)

Entrance Sets

G2 Sparta Entrance Set



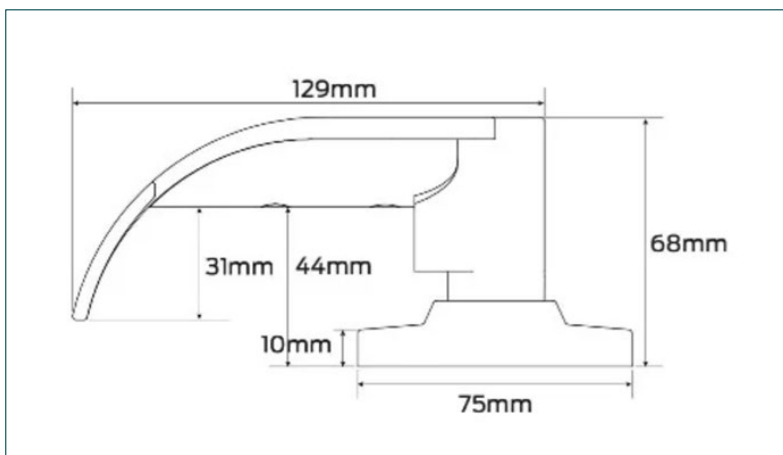
I/No: 0136390 Supplier Code: G2SENTSK

Product Dimensions: 129mm L x 68mm D Warranty: 10-Year



Product Features:

- Fire rated
- Internal lever always unlocked
- Can be keyed alike
- Restricted master key option dependent on keying system
- Suits door thickness 35-50mm
- AS1428.1 Compliant



Entrance Sets

Phoenix Commercial Entrance Set

ZANDA
ARCHITECTURAL HARDWARE

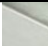

I/No: 0604231 **Supplier Code:** 11020.SC

Product Dimensions: 134m L x 75mm W x 68mm D **Warranty:** 10-year



Product Features:

- Suitable for 35-47mm thick doors
- 70mm backset standard
- 75mm diameter rose
- C4, 6 pin keyway
- 10 Year mechanical warranty

0604231	Satin Chrome	
1028482	Matt Black	

[Click here for more product information](#)

*By clicking this link you are being taken to an external website.

[Home](#)

Entrance Sets

Haro Entrance Set

LEMAAR

I/No: 0555313 **Supplier Code:** 27000SSS

Product Dimensions: 135mm L x 66mm D **Warranty:** 10-year



Product Features:

- 6 Pin cylinder
- Marine grade 316 stainless steel
- Round 70mm rosette or backplate
- For timber or metal doors
- 54mm face hole
- Can be installed to meet AS1428

[Click here for more product information](#)

*By clicking this link you are being taken to an external website.

[Home](#)

Passage Sets

Duke Return Passage Set

ZANDA
ARCHITECTURAL HARDWARE


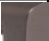
I/No: 0751935 **Supplier Code:** 10051.SB

Product Dimensions: 116.5mm L x 42.5mm D **Warranty:** 10-year



Product Features:

- 15 Years mechanical warranty
- 60mm backset
- 54mm screw on rose-concealed fixing. Sleek & Durable
- Micronized finish
- Suitable for external use
- Through door bolts for secure fitting-won't twist out of square
- Can be installed to be compliant with AS.1428

0751935	Satin Brass	
0751939	Graphite Nickel	

[Click here for more product information](#)

[Home](#)

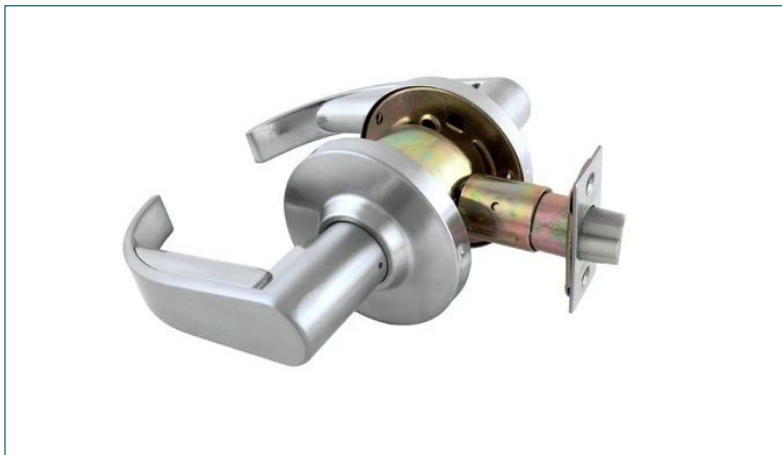
Passage Sets

G2 Sparta Passage Set



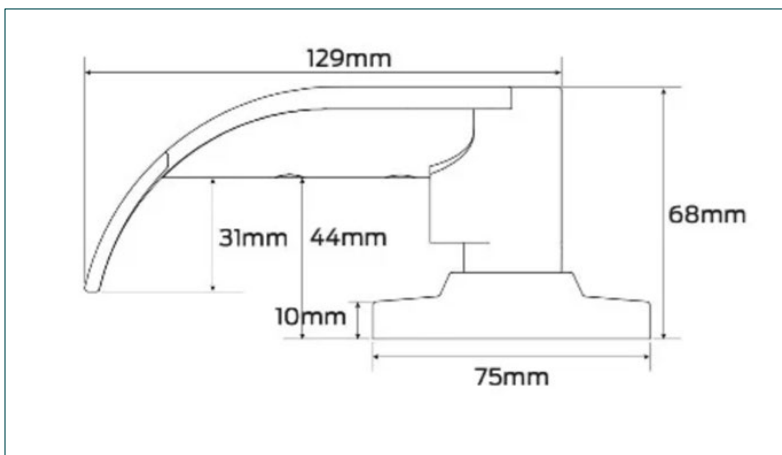
I/No: 1016413 Supplier Code: G2SPASS

Product Dimensions: 129mm L x 68mm D Warranty: 10-year



Product Features:

- Can be installed to meet AS1428.1 compliance
- Tested in excess of 400,000 operating cycles
- Snap-on inside rose conceals mounting plate and screws
- Supplied standard D & T strikes and spacer rings
- Ideally suited for residential, light & medium duty commercial applications
- Non-handed



Passage Sets

Neue Telo Passage Leverset



I/No: 0501044 **Supplier Code:** 1905TELBSC

Product Dimensions: 50mmD x 65mm H x 148mm L **Warranty:** 12-year



Product Features:

- DDA Compliant
- Fixed 60mm latch distance, not adjustable
- Black Satin chrome finish

0501044	Satin Chrome	
0501058	Matt Black	

[Click here for more product information](#)

[Home](#)

Passage Sets

Haro Passage Lever

LEMAAR

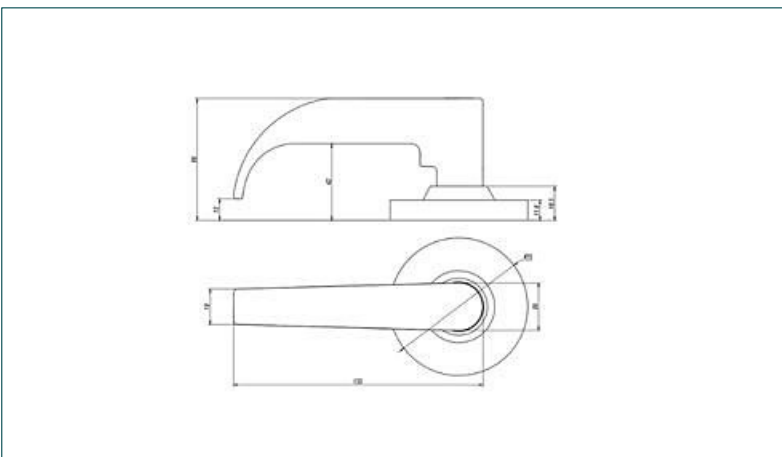
I/No: 0555318 Supplier Code: 27001SSS

Product Dimensions: 135mm L x 66mm D Warranty: 10-year



Product Features:

- Fire rated
- Can be installed to meet AS1428.1 compliance
- 316 marine grade stainless steel



[Click here for more product information](#)

[Home](#)

Privacy Sets

Duke Return Privacy Set



I/No: 0751945 **Supplier Code:** 10052.GN

Product Dimensions: 116.5mm L x 42.5mm D **Warranty:** 10-year



Product Features:

- 15 Years mechanical warranty
- 60mm backset
- 54mm screw on rose-concealed fixing. Sleek & Durable
- Micronized finish
- Suitable for external use
- Through door bolts for secure fitting-won't twist out of square
- Disabled compliant with AS.1428

0751945	Graphite Nickel	
0751918	Satin Brass	

[Click here for more product information](#)

[Home](#)

Privacy Sets

G2 Sparta Privacy Set



I/No: 0432021 **Supplier Code:** G2SPRIS

Product Dimensions: 129mm L x 68mm D **Warranty:** 10-year



Product Features:

- AS1428.1 compliant
- Tested in excess of 400,000 operating cycles
- Snap-on inside rose conceals mounting plate and screws
- Supplied standard D & T strikes and spacer rings
- Ideally suited for residential, light & medium duty commercial applications
- Non-handed

Privacy Sets

Neue Telo Privacy Leverset



I/No: 0501030 **Supplier Code:** 1915TELAMB

Product Dimensions: 50mmD x 65mm H x 148mm L **Warranty:** 10-year



Product Features:

- Return to face lever design
- Designed for access & mobility to meet AS1428.1 compliance requirements
- Uses a standard 50-54mm cut-out
- Easy to install, with concealed fixing for a clean look

0501030	Matt Black	
0501048	Brushed Satin Chrome	

[Click here for more product information](#)

*By clicking this link you are being taken to an external website.

[Home](#)

Privacy Sets

Haro Privacy Lever Set

LEMAAR

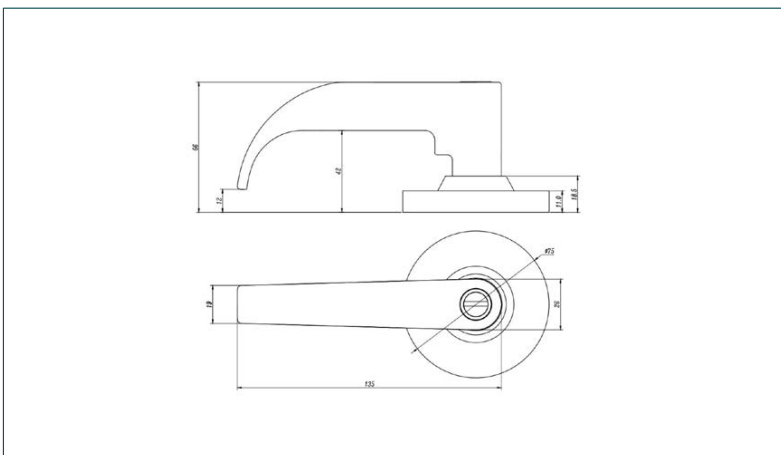
I/No: 0555316 Supplier Code: 27002SSS

Product Dimensions: 75mm W x 65mm H x 135mm L Warranty: 12-year



Product Features:

- Left or right handed
- Spacers included
- 54mm Face Hole
- 70mm backset from surface of door
- 316 marine grade stainless steel
- Fire rated.



[Click here for more product information](#)

*By clicking this link you are being taken to an external website.

[Home](#)

Commercial Lock Sets

Phoenix Commercial Storeroom Set

ZANDA
ARCHITECTURAL HARDWARE



I/No: 0604220 **Supplier Code:** 11024.SC

Product Dimensions: 134mm L x 54mm D **Warranty:** 20-year



Product Features:

- Suitable for 35-47mm thick doors
- 70mm backset standard
- 75mm diameter rose
- C4, 6 pin keyway
- 10 Year mechanical warranty
- Stainless Steel Latch Bolt
- Fire tested to AS1530.4
- Can be installed to comply with AS1428.1

0604220	Satin Chrome	
N/A	Matt Black 11024.BLK	

[Click here for more product information](#)

*By clicking this link you are being taken to an external website.

[Home](#)

Commercial Lock Sets

Haro Storeroom Leverset

LEMAAR

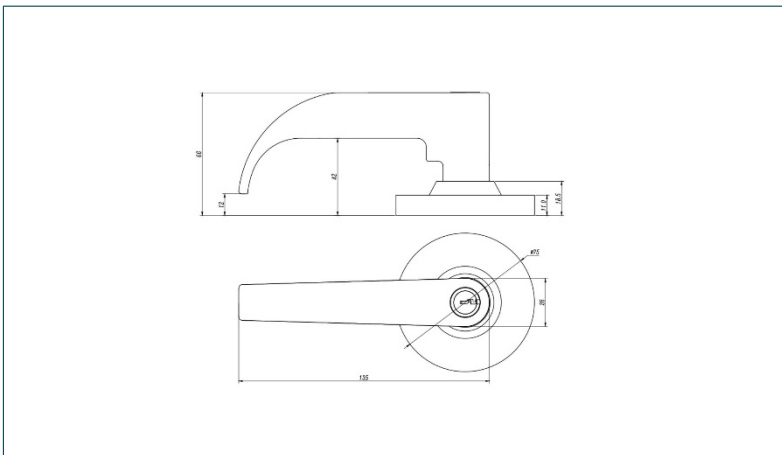
I/No: 0555319 Supplier Code: 27004SSS

Product Dimensions: 135mm L x 66mm DWarranty: 10-year



Product Features:

- 6 pin cylinder
- Marine grade 316 stainless steel
- Round 70mm rosette or backplate
- For timber or metal doors
- 54mm face hole
- Can be installed to meet AS1428.1



[Click here for more product information](#)

*By clicking this link you are being taken to an external website.

[Home](#)

Door Closers

Cam Action Door Closer

ZANDA
ARCHITECTURAL HARDWARE

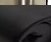
I/No: 1028461 **Supplier Code:** TS.11205.SNP

Product Dimensions: 461mm W x 98mm H x 43mm D **Warranty:** 35-year



Product Features:

- Opening angle 120 degrees
- Non-handed
- 35 Year warranty
- Adjustable latch and closing speed
- Max door width 1250mm
- Power size 2-5
- Max door weight of up to 110kg

1028461	Brushed Nickel	
1028520	Matt Black	

[Click here for more product information](#)

*By clicking this link you are being taken to an external website.

 Home

Door Closers

2615 Series Cam Action Door Closer



ASSA ABLOY

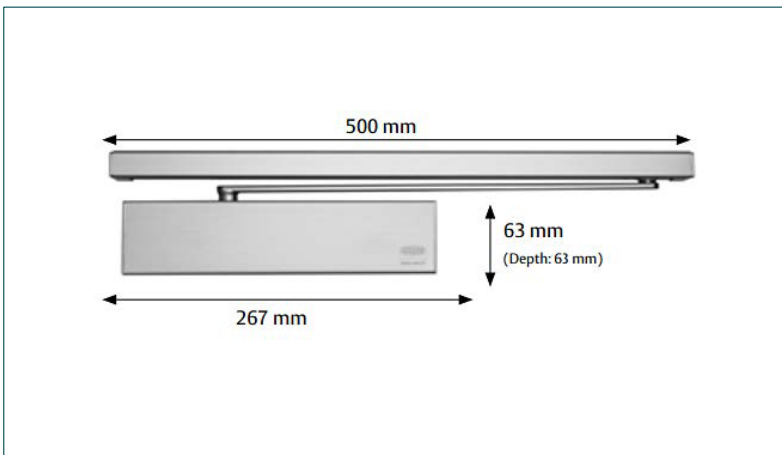
I/No: 0318242 Supplier Code: 23615DASIL

Product Dimensions: 500mm L x 63mm D Warranty: 25-year



Product Features:

- Cam Design means this premium door closer is light to open but still strong enough to close a door
- Can be adjusted to meet the requirements of a light door opening resistance and is ideal for interior and exterior doors.



[Click here for more product information](#)

*By clicking this link you are being taken to an external website.

[Home](#)

FLOOR & WALL LININGS

Introduction

Floor Tiles

Vinyl Flooring

Wall Linings

 [Home](#)

INTRODUCTION

The SDA Design Standard specifies the following requirements for flooring in Fully Accessible builds*:

- All flooring for bathrooms, kitchens and laundries must be tested to a minimum slip resistance rating of P3 or R10
- Carpeting must meet a requirement of a maximum total height of 15mm

*The NDIS SDA Design Standard (SDA) must be consulted with respect to design and compliance requirements. The products presented in this catalogue also rely on correct installation to meet the requirements of AS1428.

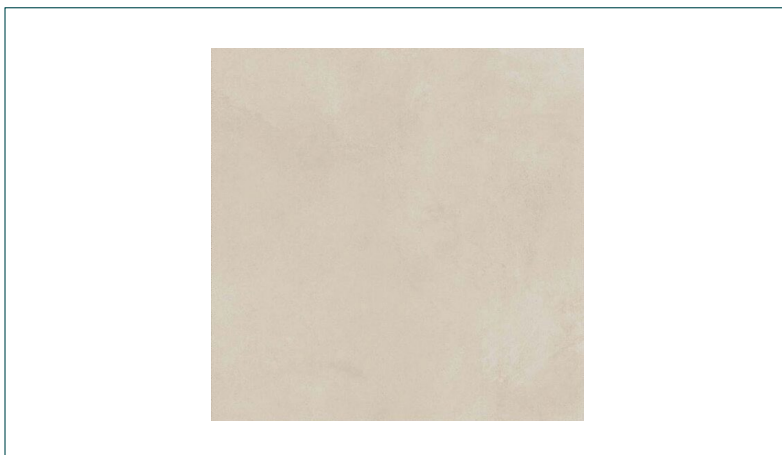
Floor Tiles

Cemento 400 x 400 Taupe Matte P4 Slip Rating





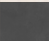
I/No: 0012635 Supplier Code: 714140

Product Dimensions: 400mm W x 400mm H x 8.4mm D Warranty: 10-Year



Product Features:

- Ceramic indoor floor tile
- P4 slip rating
- Suitable for Bathroom, Entry, Kitchen, Laundry and Living floors

0012635	Taupe Matte	
0012634	White Matte	
0012633	Charcoal Matte	

[Click here for more product information](#)

*By clicking this link you are being taken to an external website.

 Home

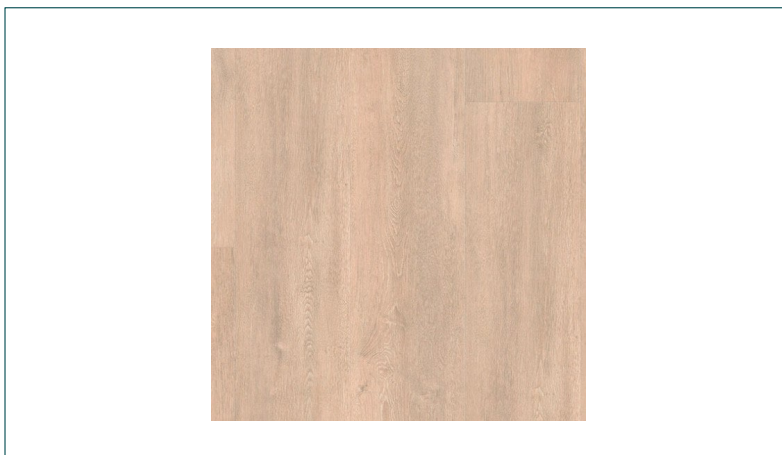
Vinyl Flooring

Virtuo Classic 55 XL Vinyl Plank Empire Clear
23cm x 150cm R10



I/No: 0676415 Supplier Code: 1012

Product Dimensions: 230mm W x 1500mm L x 25mm D Warranty: 15-year



Product Features:

- Virtuo Classic 55 planks are designed for permanent, glued installation
- Dryback
- Realistic appearance
- Easy to Install
- R10 Slip Rating

0676415	Empire Clear	
0676410	Empire Blond	
0676416	Astir Spotted Gum	

[Click here for more product information](#)

*By clicking this link you are being taken to an external website.

 Home

Wall Lining

Ezi-Line Magnum Board Rebated Edge 1200mm x 9mm



I/No: 0182467 **Supplier Code:** Ezi-Line Rebated 1200x9mm

Product Dimensions: 2400mm L x 1200mm W x 9mm D **Warranty:** 30-year



Product Features:

- High impact resistance
- Mould & insect proof
- Suitable for wet areas
- Silica free formula

0182467	2400x1200x9mm
0182468	2700x1200x9mm
0182469	3000x1200x9mm

[Click here for more product information](#)

*By clicking this link you are being taken to an external website.

[Home](#)

Wall Lining

Ezi-Line Magnum Board Square Edge 1200mm x 12mm



I/No: 0182470 **Supplier Code:** Ezi-Line Square Edge 1200x12mm

Product Dimensions: 2400mm L x 1200mm W x 12mm D **Warranty:** 30-year



Product Features:

- High impact resistance
- Mould & insect proof
- Suitable for wet areas
- Silica free formula

0182470	2400x1200x12mm
0182471	2700x1200x12mm
0182472	3000x1200x12mm

[Click here for more product information](#)

*By clicking this link you are being taken to an external website.

[Home](#)

Wall Lining

Easycraft 1200x9mm EasyVJ100 Wall Lining Primed General Purpose MR MDF E0



I/No: 0330364 **Supplier Code:** Multiple

Product Dimensions: 2400mm L x 1200mm W x 9mm D **Warranty:** 7-year



Product Features:

- Made from Moisture Resistant (MRE0) MDF
- Primed and ready to paint for fast, easy installation.
- Hidden tongue and groove easyJOIN+ system
- High impact resistance, 300% tougher than plasterboard
- Consistent board surface, no knot holes, splitting or splinters
- Australian made and owned

0330364	2400x1200x9mm
0440018	2700x1200x9mm
0330158	3000x1200x9mm

[Click here for more product information](#)

*By clicking this link you are being taken to an external website.

[Home](#)

ELECTRICAL

Introduction

Switches

Lighting

Inline Exhaust Fans

 [Home](#)

INTRODUCTION

The SDA Design Standard specifies the following Electrical requirements for Fully Accessible builds*:

- Light and power outlet switches should be rocker action, toggle or push pad with a minimum width of 35mm
- Dimmable lighting switches should be provided in living areas and bedrooms
- Task lighting should be provided above workspaces. A minimum level of 300lux should be achieved when tested at maximum intervals of 1500mm, directly over the surface of the benchtops

*The NDIS SDA Design Standard (SDA) must be consulted with respect to design and compliance requirements. The products presented in this catalogue also rely on correct installation to meet the requirements of AS1428.

Switches

HPM Como Double Power Point White Square



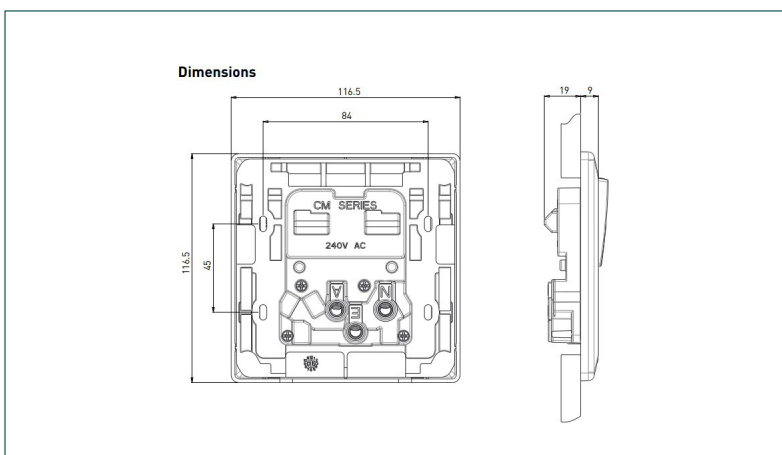
I/No: 4332201 Supplier Code: CM777WE

Product Dimensions: 117.0mm W x 117.0mm H x 9.0mm D Warranty: 1-Year



Product Features:

- Double powerpoint
- 10A 240V a.c.
- Plate Size: 114mm x 70mm
- Mounting Centres 84mm
- Colour: White
- Horizontal
- Cut-out size: 95 x 90 mm
- Plate dimensions: 116 x 116mm
- Plate thickness: 8mm



[Click here for more product information](#)

*By clicking this link you are being taken to an external website.

[Home](#)

Switches

HPM Como Single Power Point White Square



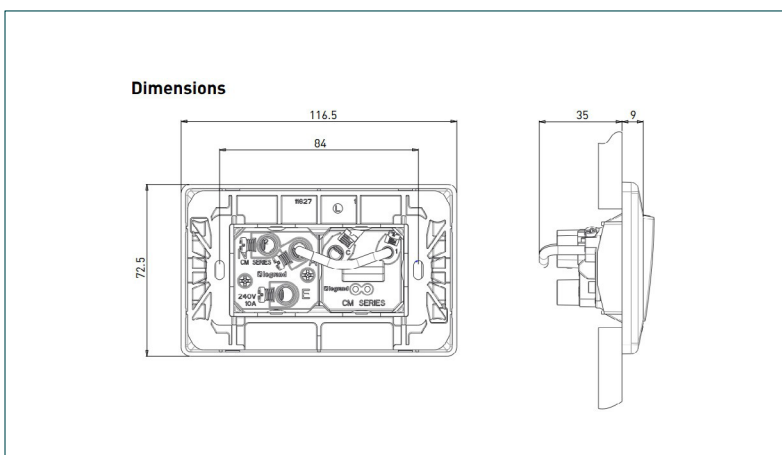
I/No: 4332202 Supplier Code: CM787WE

Product Dimensions: 116.0mm W x 72.0mm H x 8.0mm D Warranty: 1-Year



Product Features:

- Single powerpoint
- 10A 240V a.c.
- Mounting Centres 84mm
- Colour: Matt White
- Horizontal
- Cut-out size: 95 x 50mm
- Plate dimensions: 116 x 72mm
- Plate thickness: 8mm



[Click here for more product information](#)

*By clicking this link you are being taken to an external website.

Home

Switches

HPM Como Single Gang Switch White



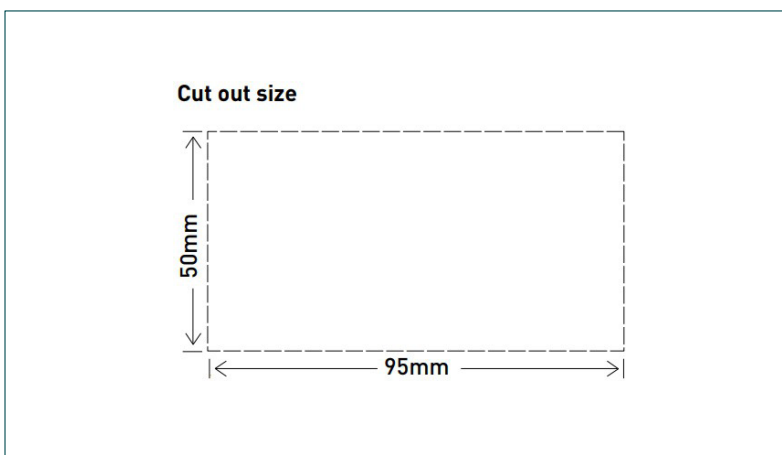
I/No: 4332199 Supplier Code: CM910/1HWE

Product Dimensions: 116.0mm W x 72.0mm H x 8.0mm D Warranty: 1-year



Product Features:

- Como Range - Switch
- Easy to see and use
- Customisable options available on this range
- Smooth switching action
- More fixing options - 4 corners
- Marked with red indicator line
- Cut-out size: 95 x 50mm
- Plate dimensions: 116 x 72mm
- Plate thickness: 8mm



[Click here for more product information](#)

*By clicking this link you are being taken to an external website.

[Home](#)

Switches

HPM Como Double Gang Switch White



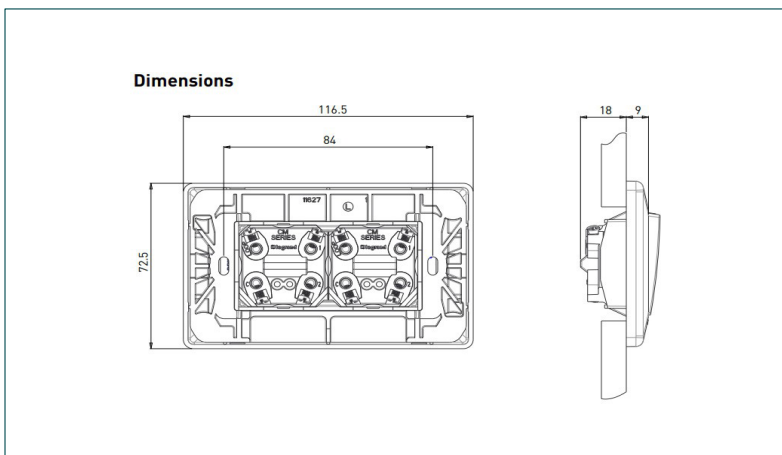
I/No: 4332200 **Supplier Code:** CM920/2HWE

Product Dimensions: 116.0mm W x 72.0mm H x 8.0mm D **Warranty:** 1-year



Product Features:

- Como Range - Switch
- Easy to see and use
- Customisable options available on this range
- Smooth switching action
- More fixing options - 4 corners
- Marked with red indicator line
- Cut-out size: 95 x 50mm
- Plate dimensions: 116 x 72mm
- Plate thickness: 8mm



[Click here for more product information](#)

*By clicking this link you are being taken to an external website.

Home

Switches

HPM Como Switch & Trailing Edge Dimmer



I/No: 0043389 Supplier Code: CM400THWE

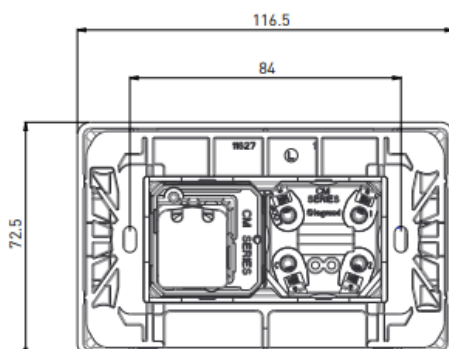
Product Dimensions: 116.5mm W x 72.5MM x 9mm D Warranty: 1-year



Product Features:

- Quiet dimming operation
- Soft start -turns lamps on gradually to prolong lamp life
- Automatically dims lamp if the dimmer is overloaded or insufficiently de-rated
- Easy grip knob

Dimensions



[Click here for more product information](#)

*By clicking this link you are being taken to an external website.

Home

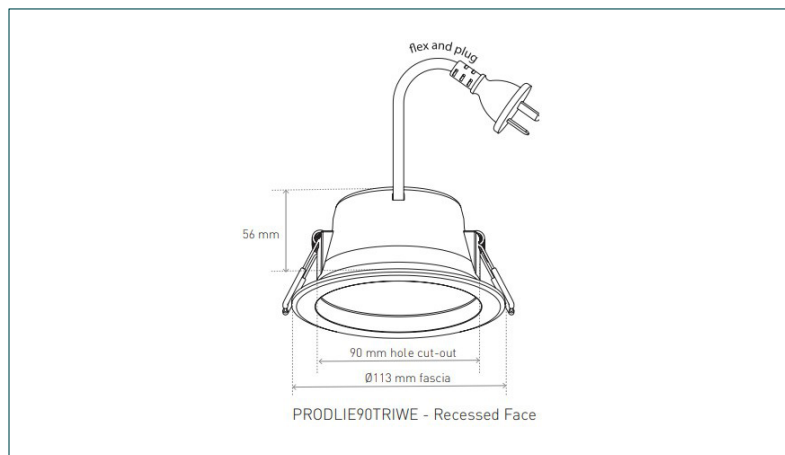
Lighting

HPM Alina Recessed 90mm Downlight LED Tricolour



I/No: 0465345 Supplier Code: DLIE90TRIWE

Product Dimensions: 90mm Diameter Warranty: 5-year



Product Features:

- Light colour selector: Easily switch between Warm (3,000K), Cool (4,000K) and Natural (5,000K) light colour temperatures
- Suitable for low ceiling cavities
- High-quality flame-retardant plastic construction
- Integral dimmable driver compatible with most quality dimmers
- For optimum dimming performance we recommend HPM or Legrand dimmers
- IP44 rating suitable for outdoor undercover areas
- 2,500 V electrical surge protection
- IC-4 & IC-Finsulation rating: This downlight can be fully covered and abutted by insulation material

[Click here for more product information](#)

*By clicking this link you are being taken to an external website.

[Home](#)

Inline Exhaust Fans

Inline Exhaust Fan Kit



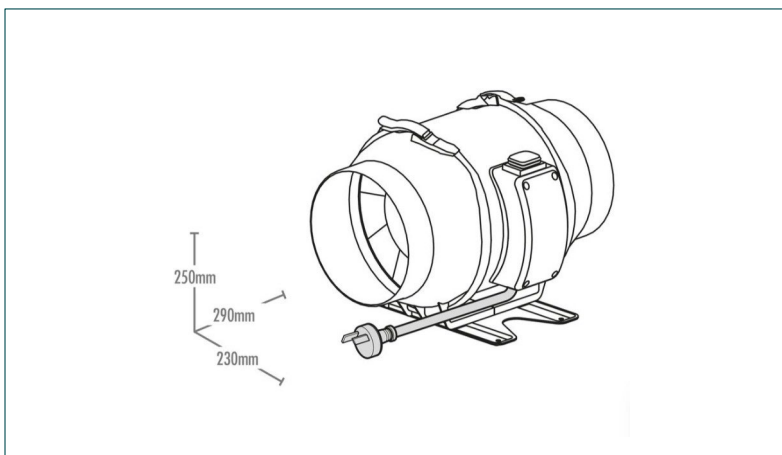
I/No: 0246590 Supplier Code: DIEF150

Product Dimensions: 150mm Diameter Warranty: 5-Year



Product Features:

- 2 speed switch
- Ideal use for air extraction and air transfer
- Easy plug-in connection
- Strong air extraction up to 555m³ /h
- Fan includes flex and plugs



[Click here for more product information](#)

*By clicking this link you are being taken to an external website.

Home

Inline Exhaust Fans

Inline Exhaust Fan Kit



I/No: 4420560 **Supplier Code:** EFIL150SQWE

Product Dimensions: 150mm Diameter **Warranty:** 5-year



Product Features:

- 150mm Inline Exhaust Fan Kits
- Ideal use for air extraction and air transfer
- Plug-in connection with 2 speed switch.
- Voltage: 230-240V a.c. 50Hz
- Power rating: 60W
- IP rating: IP55
- Draught stopper: Yes (PET Sheet)
- Air extraction: 555m³/h max
- Duct diameter: 150mm

[Click here for more product information](#)

*By clicking this link you are being taken to an external website.

[Home](#)

ASSISTIVE TECHNOLOGY

Introduction

Home Automation

INTRODUCTION

The SDA Design Standard recommends the provision of emergency power solutions to Fully Accessible builds*.

*The NDIS SDA Design Standard (SDA) must be consulted with respect to design and compliance requirements. The products presented in this catalogue also rely on correct installation to meet the requirements of AS1428.

Home Automation

Livigy Smart Home Assistive Technology Onsite Overnight Kit



I/No: 0676209 **Supplier Code:** SDA-00A-KIT

Product Dimensions: 660mm W x 675mm H x 510mm D **Warranty:** 10 Years



Product Features:

- Wall-mount rack-to-house equipment
- Cloud managed networking (router, POE switch, Wi-Fi 6 access point)
- Patch cables and accessories
- Desktop phone
- Calling plan
- 24/7 phone/email support

Home Automation

Livigy Smart Home Assistive Technology UPS Kit



I/No: 0676206 **Supplier Code:** SDA-UPS-1

Product Dimensions: 425mm D x 320mm H x 190mm W **Warranty:** 10-Year



Product Features:

- Small form factor
- UPS bypass switch for easy access
- Standard 10-amp power circuit
- 2-Hour run time @ 200 Watts demand
- Line interactive for silent operation

KITCHEN & LAUNDRY

Introduction

Tapware

Sinks

Appliances

 [Home](#)

INTRODUCTION

The SDA Design Standard specifies the following requirements for Kitchens and Laundries in Fully Accessible builds*:

- Kitchen with a fixed cooktop with compliant features and rangehood, an in-built oven with compliant features, a sink with tap and a drawer style dishwasher
- Kitchen benchtops must meet accessible requirements and include one height-adjustable benchtop surface
- Kitchen sink tapware to be lever or sensor type
- D-pull cupboard handles located towards the top of below-bench cupboards and towards the bottom of overhead cupboards
- Laundry with a sink or tub with sensor type or lever style taps

The NDIS SDA Design Standard (SDA) must be consulted with respect to design and compliance requirements. The products presented in this catalogue also rely on correct installation to meet the requirements of AS1428.

Tapware

CAROMA | Made For Life

Caroma Opal Sink Mixer with Extended Lever

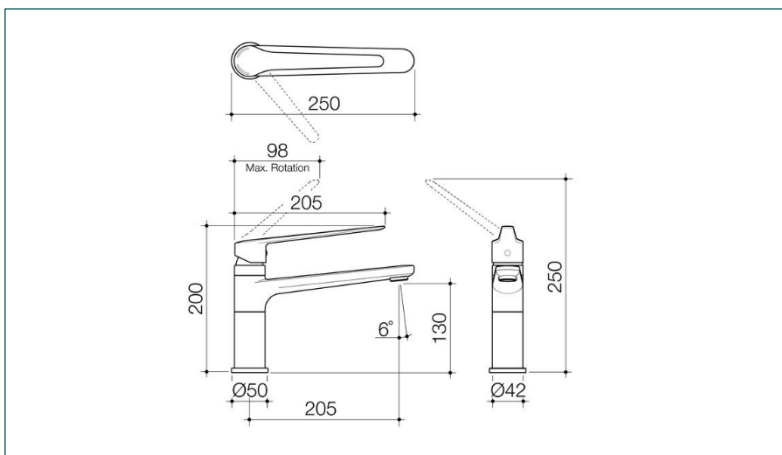
I/No: 1056530 Supplier Code: 99709B46AF

Product Dimensions: 240mm H x 50mm W x 225mm D Warranty: 20-Year



Product Features:

- Durable brass body construction
- Assembled with AS1428.1 compliant extended care lever handle with hot and cold (H/C) indicators
- 35mm ceramic disc cartridge eliminates drips and minimises maintenance
- Antibacterial aerator
- Assembled with WELS 4S, 7.5L/min aerator. Also includes optional WELS 6S, 4.5L/min aerator
- <0.25% lead as per Lead Free Watermark certification*



1056530	Matte Black
N/A	Chrome 99709C46AF
N/A	Brushed Nickel 99709BN46AF

[Click here for more product information](#)

*By clicking this link you are being taken to an external website.

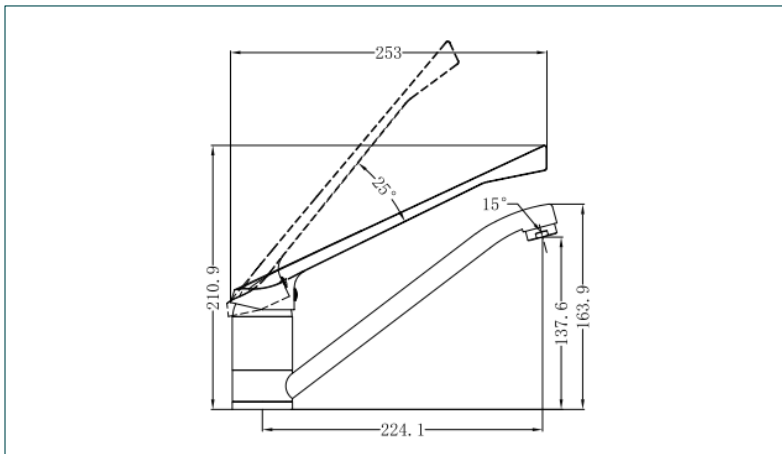
Tapware

Classic Care Sink Mixer

Nero

I/No: 1055913 **Supplier Code:** NR110007eCH

Product Dimensions: 253mm L x 210.9mm H **Warranty:** 15-Year



Product Features:

- Material: Solid brass construction
- Handle: extended lever handle for accessibility
- WELS rating: 4 Star, 7.5L/min
- WELS registration: T34940
- Cartridge: 40mm ceramic cartridge
- Aerator: NEOPERL aerator with slim stream flow director
- Hoses: Stainless steel PEX flexible hoses, 1/2" BSP female
- Mounting: Twin-stud mounting for secure installation
- Warranty: 15 years replacement cartridge, 10 years replacement parts/finishes, 1-year parts & labour

[Click here for more product information](#)

*By clicking this link you are being taken to an external website.

[Home](#)

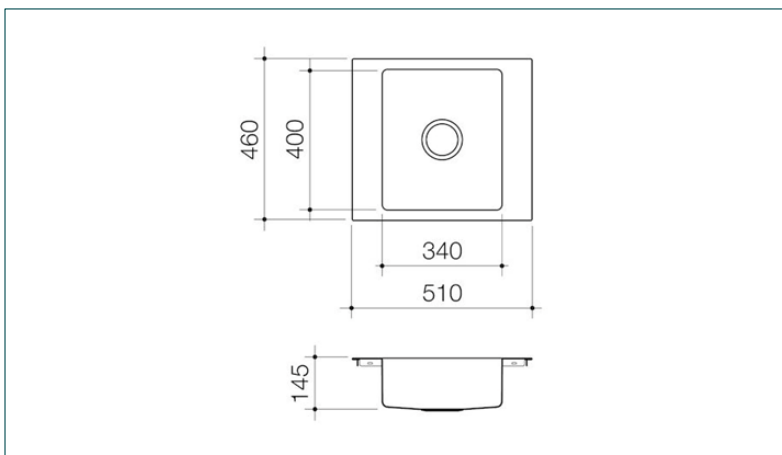
Sinks

Evolution Care Single Bowl Overmount Sink

CAROMA | Made For Life

I/No: 0672959 **Supplier Code:** 4061

Product Dimensions: 460mm L x 510mm W x 145mm D **Warranty:** Lifetime



Product Features:

- Exclusive Australian design
- Premium 304 grade stainless steel
- Reversible over mount sink configuration
- Dual tap landings to accommodate both a sink mixer and instant boiled/chilled drinking water appliance
- Side tapware landing - tapware can be installed within 300mm of front edge of bench to increase accessibility
- Suitable for installations needed to comply with AS1428.2-1992
- Stainless steel basket waste

0672959	No Tap Hole
0672970	One Tap Hole

[Click here for more product information](#)

*By clicking this link you are being taken to an external website.

[Home](#)

Sinks

Evolution Care Single End Bowl Sink

CAROMA | Made For Life

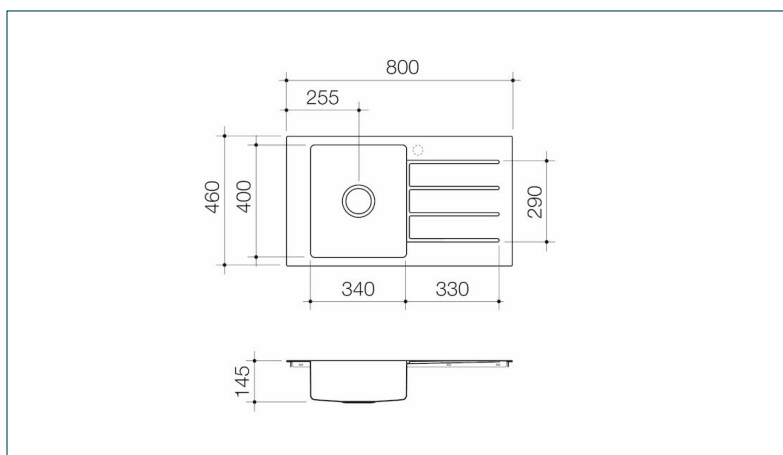
I/No: 0672936 **Supplier Code:** 4062.1L

Product Dimensions: 460mm L x 800mm W x 145mm D **Warranty:** Lifetime



Product Features:

- 1 tap hole
- Right or left hand bowl
- Exclusive Australian design
- Premium 304 grade stainless steel
- Tapware can be installed within 300mm of front edge of bench to increase accessibility
- Specifically designed draining board with deep etched grooves to allow water to drain easily
- Stainless steel basket waste



0672936	Left Hand Bowl
0737620	Right Hand Bowl

[Click here for more product information](#)

*By clicking this link you are being taken to an external website.

[Home](#)

Sinks

Evolution Care 1.5 bowl sink with Drainer

CAROMA | Made For Life

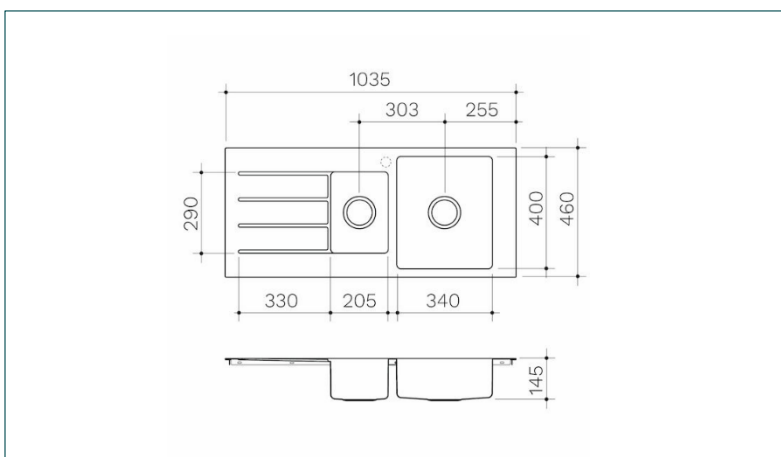
I/No: 0672849 Supplier Code: 4070.1R

Product Dimensions: 460mm L x 1035mm W x 145mm D Warranty: Lifetime



Product Features:

- 1 tap hole
- Right or left hand bowl
- Premium 304 grade stainless steel, 1.2mm thick
- Dual tap landings to accommodate both a sink mixer and instant boiled/chilled drinking water appliance
- Specifically designed draining board with deep etched groves to allow water to drain easily
- Includes stainless steel basket waste
- Exclusive Australian design



0672849	Right Hand Bowl
0672847	Left Hand Bowl

[Click here for more product information](#)

*By clicking this link you are being taken to an external website.

[Home](#)

Appliances

60cm Electric Side Opening Oven with Reversible Door

euroappliances

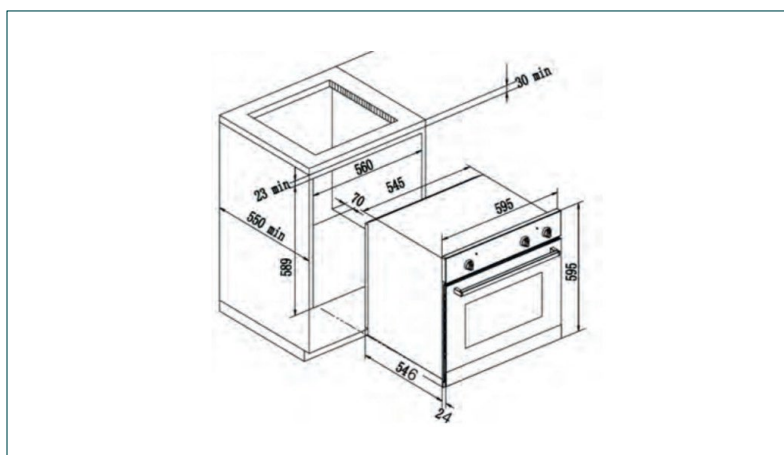
I/No: 0267001 **Supplier Code:** EO60SOSX

Product Dimensions: 595mm W x 595mm H x 546mm D **Warranty:** 3-year



Product Features:

- 8 multi functions
- 67Lt gross - 64Lt net capacity
- 120 minute cut-off timer
- Reversible door
- 1 set telescopic runner
- Cavity cooling system
- Triple glazed door
- Stylish black and stainless steel finish



0267001	Stainless Steel
0822768	Black Glass

[Click here for more product information](#)

*By clicking this link you are being taken to an external website.

[Home](#)

Appliances

60cm Ceran Electric Cooktop

euro appliances

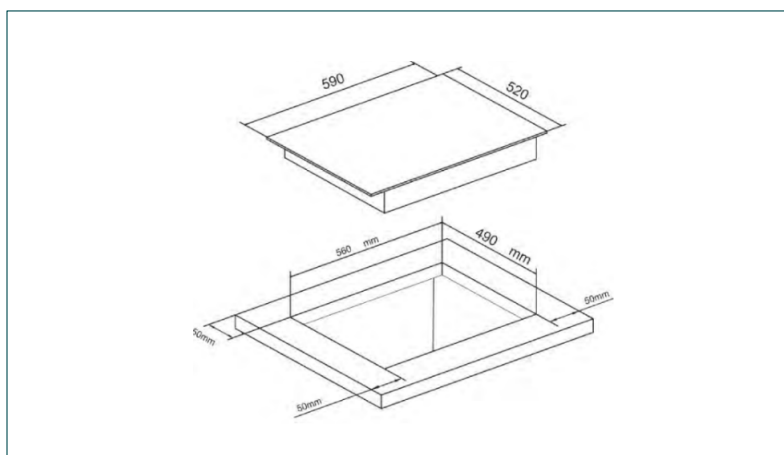
I/No: 0378995 **Supplier Code:** ECT600CB

Product Dimensions: 590mm W x 520mm D **Warranty:** 3-year



Product Features:

- Smooth Ceran glass electric cooktop
- 4 rapid burner elements
- Side knob controls
- Total rated load: 6.0kW
- Variable temperature control
- Residual heat indicator
- Square edge design



[Click here for more product information](#)

*By clicking this link you are being taken to an external website.

 Home

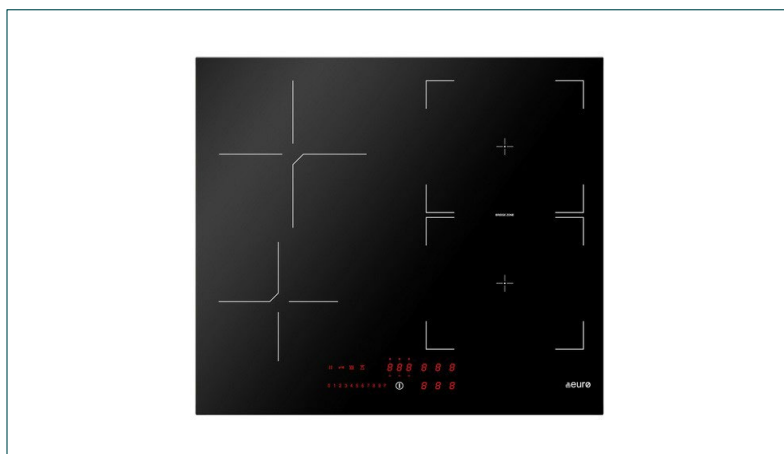
Appliances

60cm Induction Cooktop

 euro appliances

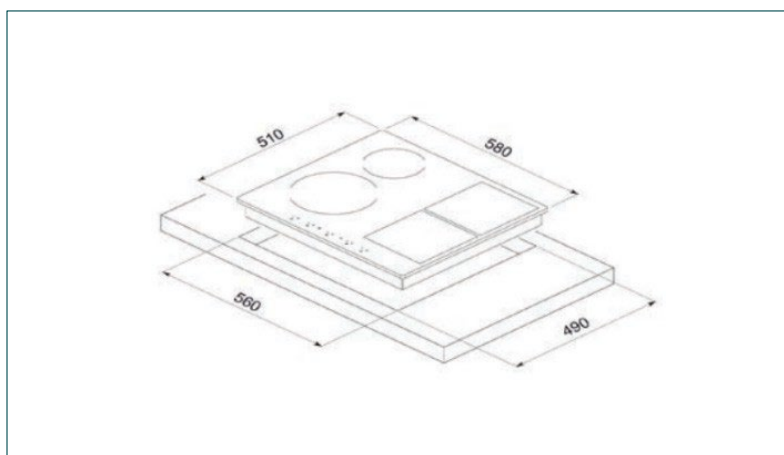
I/No: 0266943 **Supplier Code:** E60IDB

Product Dimensions: 580mm W x 510mm D **Warranty:** 3-year



Product Features:

- Easy clean Ceran glass
- 4 cooking zones including large central zone
- Front sensor touch operation control
- Total rated load: 7.4kW
- Over temperature safety device
- Overflow protection
- Flexi dual zone with bridge function
- Auto shutdown protection
- 9 heating levels with residual heat indicator
- Child lock function
- Square edge design



[Click here for more product information](#)

*By clicking this link you are being taken to an external website.

 Home

Appliances

60cm Induction Cooktop

euro appliances

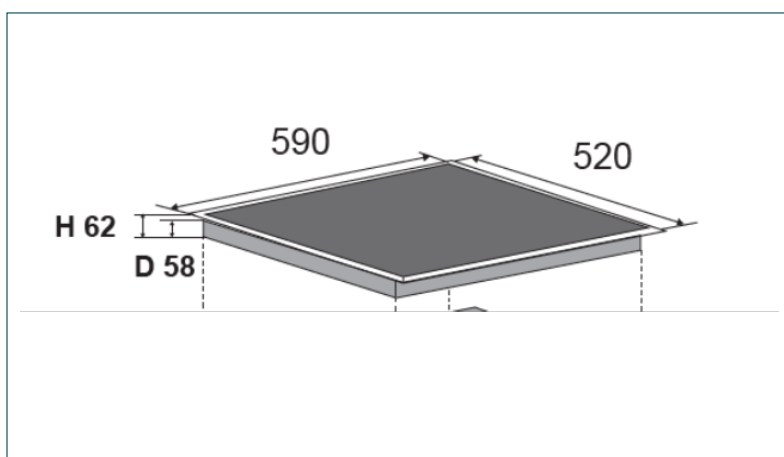
I/No: 0730830 Supplier Code: ECT600IN3

Product Dimensions: 590mm W x 520mm D Warranty: 3-year



Product Features:

- Easy clean glass
- 4 Cooking zones
- 9 Power stage settings
- Front sensor touch control operation
- Timer function
- Residual heat indicator
- Child lock safety function
- Total rated load 7.4kw
- Square Edge design
- Overflow safety device
- Over temperature safety device
- Overflow protection



[Click here for more product information](#)

*By clicking this link you are being taken to an external website.

[Home](#)

Appliances

52cm Undermount Rangehood

euro appliances

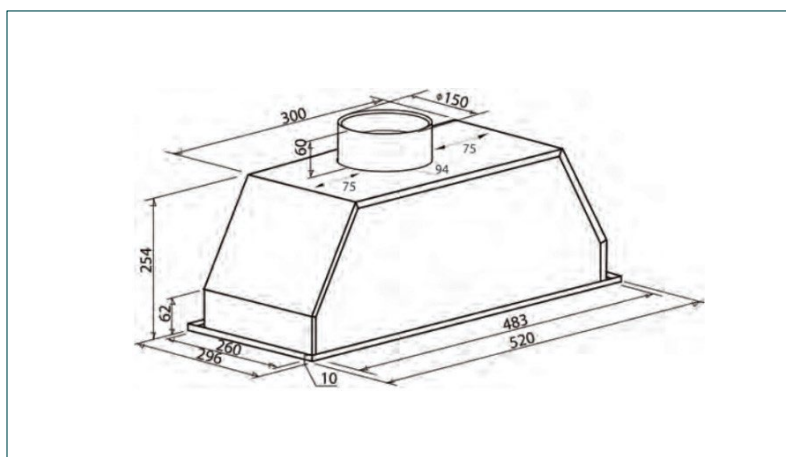
I/No: 0349734 **Supplier Code:** EP52UMS2

Product Dimensions: 520mm W x 254mm H x 296mm D **Warranty:** 3-year



Product Features:

- Stainless steel finish
- 3 speed motor; 500m³/hr extraction capacity
- 2 x 1.5W LED lights
- Undermount non-visible rangehood
- Under push button control
- Dishwasher safe carbon filter: CF110 (requires 2)
- Decibel rating 48-59 dBA
- 150mm flue diameter



[Click here for more product information](#)

By clicking this link you are being taken to an external website.

[Home](#)

Appliances

Omega 60cm 5 Function Side-opening Oven



I/No: 0698993 Supplier Code: OBOS605MR

Product Dimensions: 594mm W x 569.5mm D x 594mm H Warranty: 5-year



Product Features:

- 5 Functions
- 75L Gross Oven capacity
- Plastic ergonomic easy grip knobs and fluted steel knobs
- 180° Side-opening door with right-hand side hinges
- Telescopic runners
- Minute Minder Timer
- Black Glass with Midnight Trim
- Black tinted triple glazed door
- Cavity cooling system

DIMENSIONS (MM)			MINIMUM INSIDE CAVITY (MM)	
A 594	B 594	C 569.5	W 595	D 560
D 26.5	E 567.5		H 595	

0698993	Right Hand Hinge
0698988	Left Hand Hinge

[Click here for more product information](#)

*By clicking this link you are being taken to an external website.

Home

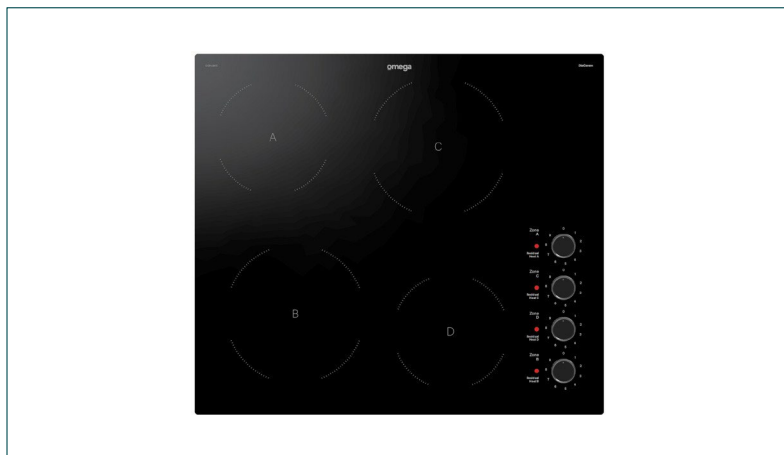
Appliances

Omega 60cm Ceramic Cooktop with Knob Controls

omega

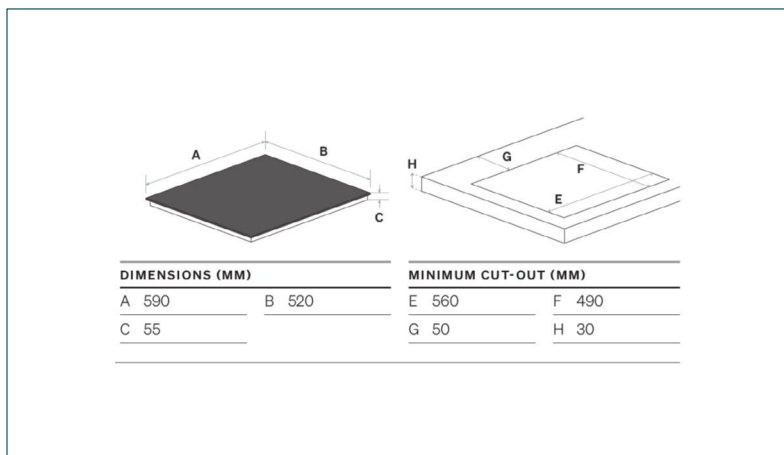
I/No: 0698991 Supplier Code: OCC604KCOM

Product Dimensions: 590mm W x 520mm D x 55mm H Warranty: 5-year



Product Features:

- 4 Ceramic cooking zones
- 9 power levels
- Durable DiaCeram® Ceramic Glass
- Single piece of glass
- Automatic Safety Shut Off
- Child Safety Lock
- Midnight Fluted Steel Control Knobs



[Click here for more product information](#)

*By clicking this link you are being taken to an external website.

[Home](#)

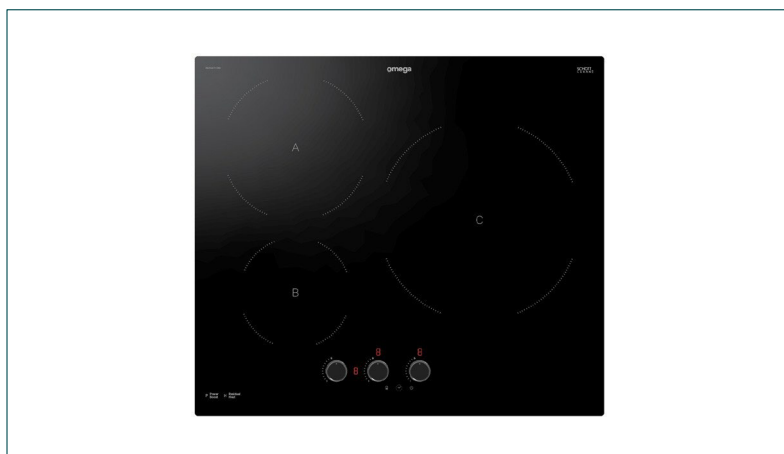
Appliances

Omega 60cm Induction Cooktop - Knob Controls



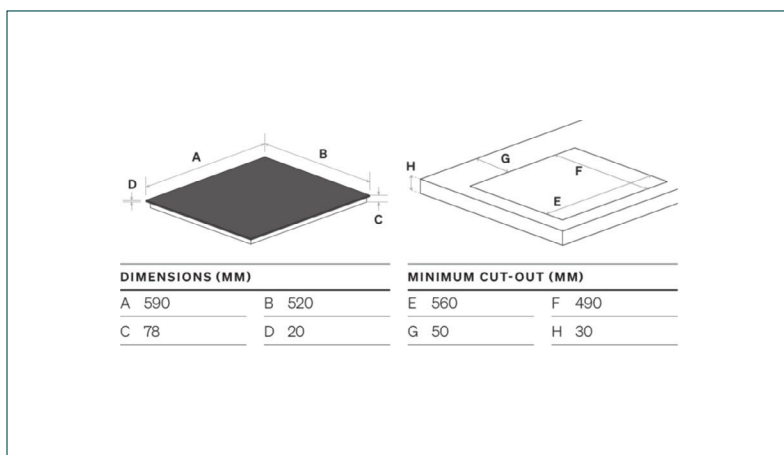
I/No: 0698989 Supplier Code: OCI603KZCOM

Product Dimensions: 590mm W x 520mm D x 62mm H Warranty: 5-year



Product Features:

- 3 Cooking Zones; 9 Power Levels
- Durable EuroKera® Ceramic Glass - single piece
- Residual heat indicator
- 120 minute auto safety shut off
- Easy grip fluted steel control knobs
- 99 Minute Zone Timer
- Automatic Pan Detection



[Click here for more product information](#)

*By clicking this link you are being taken to an external website.

Home

Appliances

Omega 52cm Undermount Rangehood (Button-less)

omega

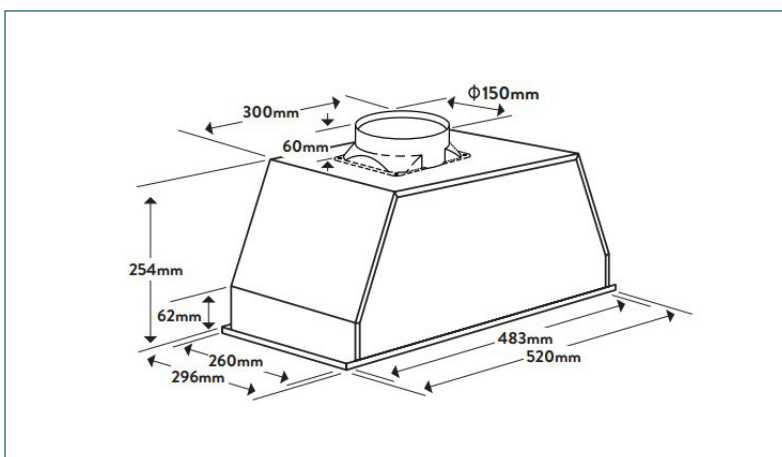
I/No: 0638608 **Supplier Code:** ORU50PXL

Product Dimensions: 254mm H x 520mmW x 296mm D **Warranty:** 3-year



Product Features:

- Concealed and look streamline under cupboards, perfect for smaller kitchens
- 150mm 300mm 60mm 296mm 260mm 62mm 483mm 520mm 254mm
- Exclusive to commercial projects
- Buttonless design
- This rangehood should be installed to operate when the cooktop is switched on by a separate switch
- This design is great for student accomodation, allowing for correct operation of the product
- LED Light LED lights use a small amount of energy, generate little heat and last a long time
- Not only are they cost effective, but they will also ensure your cooktop is well lit



[Click here for more product information](#)

*By clicking this link you are being taken to an external website.

[Home](#)

BATHROOM

Introduction

Toilets

Shower Tapware

Basins

Basin Tapware

Bathroom Accessories

[Home](#)

INTRODUCTION

The SDA Design Standard specifies the following requirements for bathrooms in Fully Accessible builds*:

- Inclusion of a toilet, a shower and a hand wash basin within the same bathroom
- Toilet must be AS1428.1 Unisex Accessible compliant with flushing controls proud of the surface
- Only a vertical support grabrail to be provided to the shower, with a height adjustable shower head and hose
- Shower tap should be Lever style and basin tapware should be sensor or lever type and AS1428.1 compliant
- Shower curtain rail to be provided around a 1160x1100mm shower space
- Hand wash basin to be AS1428.1 compliant with a minimum overall basin depth of 430mm

The NDIS SDA Design Standard (SDA) must be consulted with respect to design and compliance requirements. The products presented in this catalogue also rely on correct installation to meet the requirements of AS1428.

Toilets

CAROMA | Made For Life

Caroma Care 800 Cleanflush Wall Faced Toilet Suite - Blue Seat

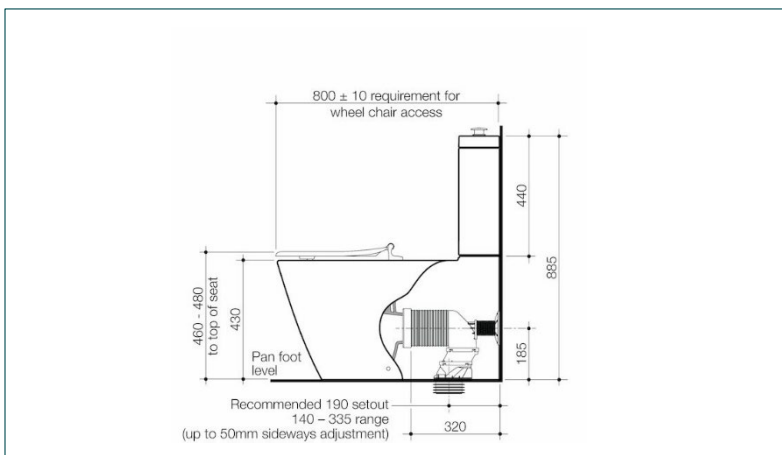
I/No: 1056541 Supplier Code: 901920SB

Product Dimensions: 800mm L X 460mm H Warranty: 20-year



Product Features:

- Now with GermGuard® protection on cistern, pan and toilet seat
- Care 800 Cleanflush & reg. wall faced close coupled pan
- Care 800 back entry vitreous china cistern
- Chrome button assembly
- Universal trap for S or P trap installations
- Supplied with patented Uni-Orbital. connector with set out range 140-335 and up to a 50mm radius
- Meets AS1428.1 Access and Mobility requirements when used in conjunction with a backrest



[Click here for more product information](#)

*By clicking this link you are being taken to an external website.

1056541	Sorrento Blue Seat
1056533	Anthracite Grey Seat
1056531	White Seat

[Home](#)

Toilets

Caroma Care 800 Cleanflush Toilet Suite Caravelle Care BTW - Anthracite Grey Seat

CAROMA | Made For Life

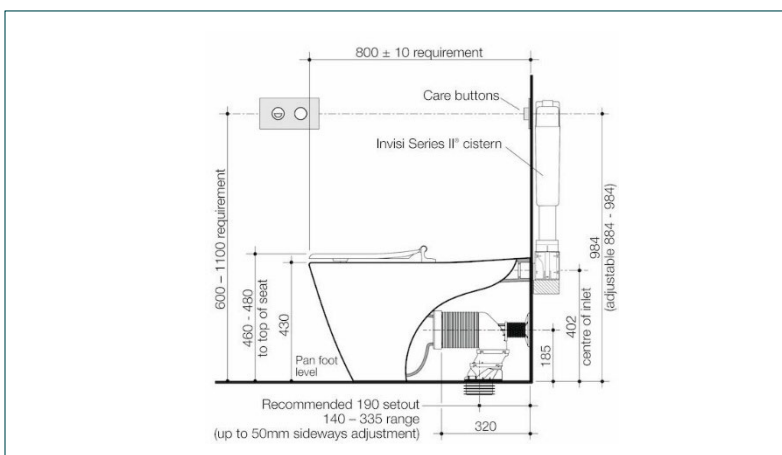
I/No: 1056540 Supplier Code: 718320AG

Product Dimensions: 800mm L X 460mm H Warranty: 20-year



Product Features:

- Now with GermGuard® protection on cistern, pan and toilet seat
- Care 800 Cleanflush & reg. wall faced close coupled pan
- Care 800 back entry vitreous china cistern
- Chrome button assembly
- Universal trap for S or P trap installations
- Supplied with patented Uni-Orbital. connector with set out range 140-335 and up to a 50mm radius
- Meets AS1428.1 Access and Mobility requirements when used in conjunction with a backrest



1056540	Anthracite Grey Seat
1056538	Sorrento Blue Seat
1056536	White Seat
5020017	Round Dual Flush Plate

[Click here for more product information](#)

By clicking this link you are being taken to an external website.

[Home](#)

Toilets

Care Rimless Toilet Suite with Raised Height Pan White Single Flap Seat



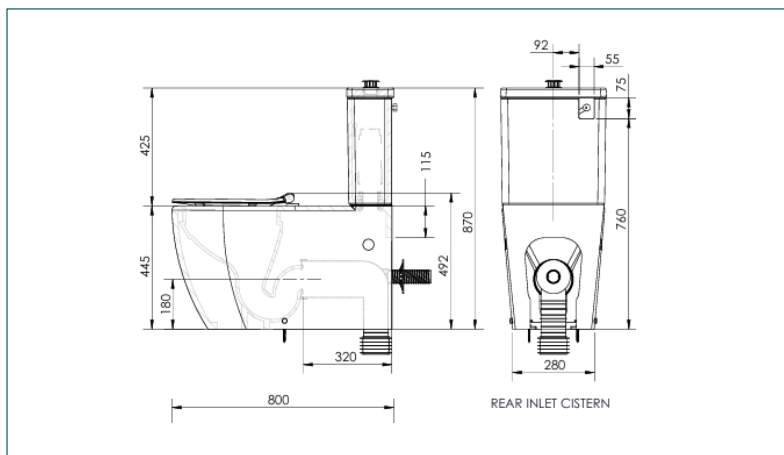
I/No: 0666099 **Supplier Code:** HDC692-HEP-800-WWC

Product Dimensions: 385mm W x 800mm D x 870mm H **Warranty:** 15-year



Product Features:

- Rimless pan hygienic flush
- Vitreous china
- 4 Star – Wels 4.5/3 litres dual flush
- S-trap 90-210mm with P-S002 Connector
- P- trap 180mm
- White soft close single flap seat
- 15 Year Limited manufacturer’s warranty
- 1 Year Limited commercial warranty



0666099	Rear Inlet
0666109	Bottom Inlet

[Click here for more product information](#)

*By clicking this link you are being taken to an external website.

Toilets

Care Rimless Toilet Suite with Raised Height Pan Grey Seat



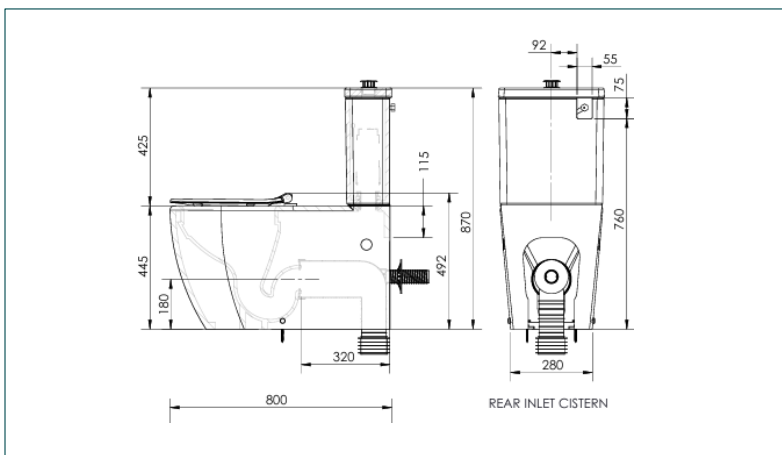
I/No: 0666107 **Supplier Code:** HDC692-HEP-800-WGG

Product Dimensions: 385mm W x 800mm D x 870mm H **Warranty:** 15-year



Product Features:

- Rimless pan hygienic flush
- Vitreous china
- 4 Star – Wels 4.5/3 litres dual flush
- S-trap 90-210mm with P-S002 Connector
- P- trap 180mm
- White soft close single flap seat
- 15 Year Limited manufacturer’s warranty
- 1 Year Limited commercial warranty



0666107	Rear Inlet
0666108	Bottom Inlet

[Click here for more product information](#)

*By clicking this link you are being taken to an external website.

[Home](#)

Toilets

Care Rimless Toilet Suite with Raised Height Pan Blue Seat



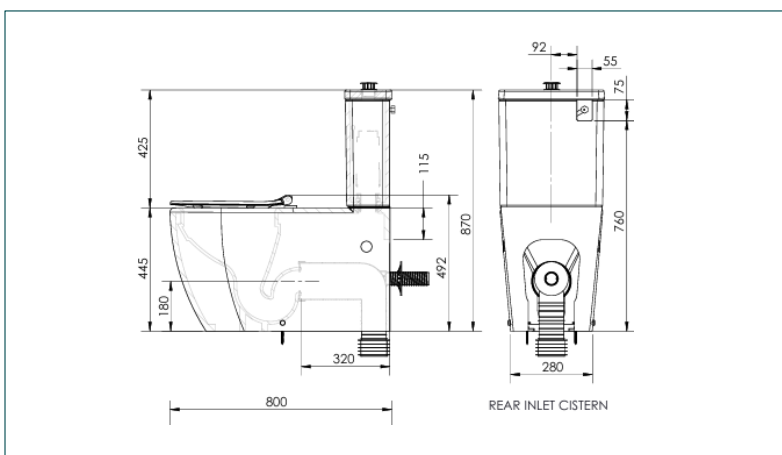
I/No: 0666104 **Supplier Code:** HDC692-HEP-800-WBB

Product Dimensions: 385mm W x 800mm D x 870mm H **Warranty:** 15-year



Product Features:

- Rimless pan hygienic flush
- Vitreous china
- 4 Star – Wels 4.5/3 litres dual flush
- S-trap 90-210mm with P-S002 Connector
- P- trap 180mm
- White soft close single flap seat
- 15 Year Limited manufacturer’s warranty
- 1 Year Limited commercial warranty



0666104	Rear Inlet
0666096	Bottom Inlet

[Click here for more product information](#)

*By clicking this link you are being taken to an external website.

[Home](#)

Toilets

Modia Care In-Wall Floor Mount Toilet Pan 800mm - Blue Seat

SEIMA

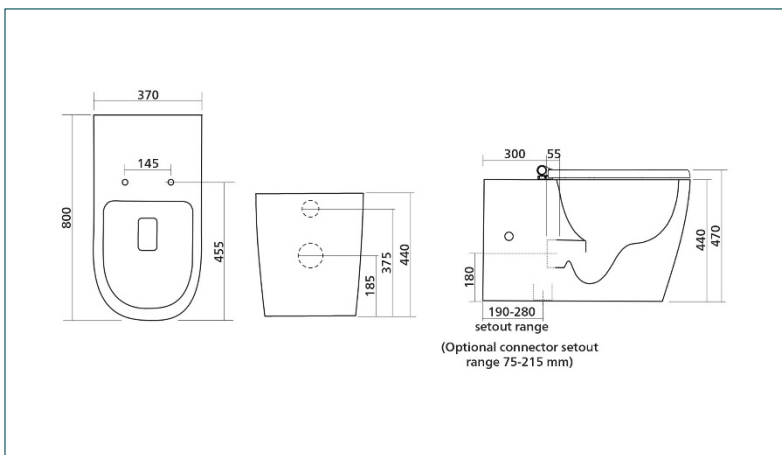
I/No: 1013100 Supplier Code: 191967

Product Dimensions: 470mm H x 370mm W x 800mm D Warranty: 20-year



Product Features:

- Stylish minimalist design, sits flat against wall
- Clean flush rimless pan design for an efficient, powerful flush
- White vitreous china, easy to clean
- Easy care height - pan height 440 mm
- Care toilet seat, choice of colours
- Quick release toilet seat for easy removal and cleaning



1013100	Toilet Pan – Blue Seat
1013099	Slimline Pneumatic Cistern
0192061	Raised Metal Flush Button

[Click here for more product information](#)

*By clicking this link you are being taken to an external website.

[Home](#)

Toilets

Modia Care In-Wall Floor Mount Toilet Pan 800mm - White Seat

SEIMA

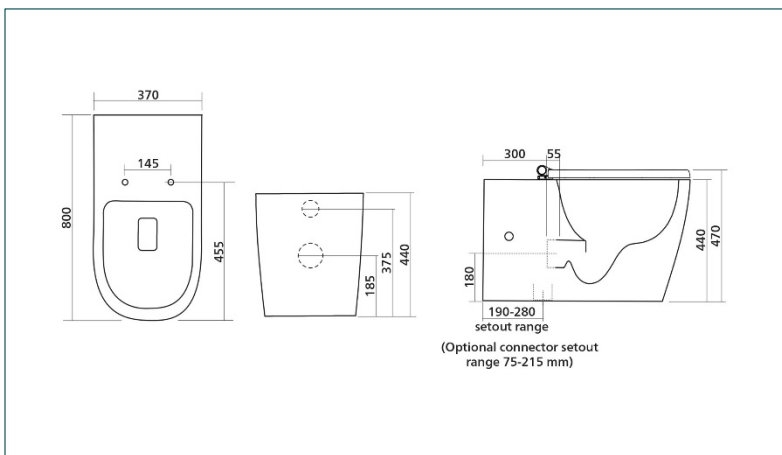
I/No: 1013098 Supplier Code: 191968

Product Dimensions: 470mm H x 370mm W x 800mm D Warranty: 20-year



Product Features:

- Stylish minimalist design, sits flat against wall
- Clean flush rimless pan design for an efficient, powerful flush
- White vitreous china, easy to clean
- Easy care height - pan height 440 mm
- Care toilet seat, choice of colours
- Quick release toilet seat for easy removal and cleaning



1013098	Toilet Pan – White Seat
1013099	Slimline Pneumatic Cistern
0192061	Raised Metal Flush Button

[Click here for more product information](#)

*By clicking this link you are being taken to an external website.

[Home](#)

Toilets

Modia Care In-Wall Floor Mount Toilet Pan 800mm - Grey Seat

SEIMA

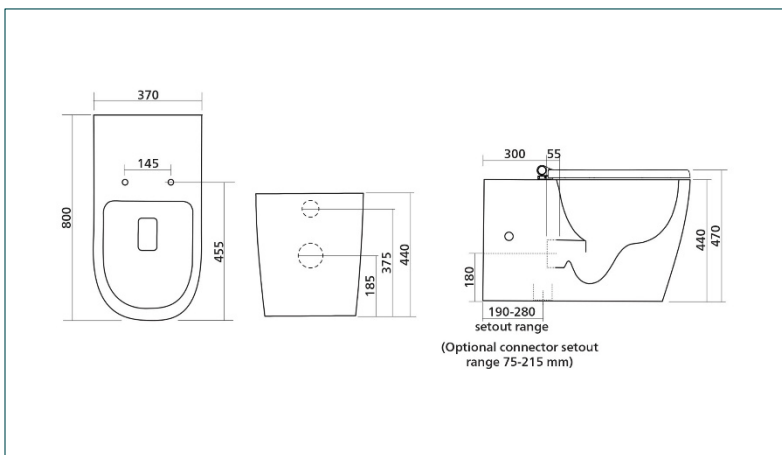
I/No: 1013097 Supplier Code: 192419

Product Dimensions: 470mm H x 370mm W x 800mm D Warranty: 20-year



Product Features:

- Stylish minimalist design, sits flat against wall
- Clean flush rimless pan design for an efficient, powerful flush
- White vitreous china, easy to clean
- Easy care height - pan height 440 mm
- Care toilet seat, choice of colours
- Quick release toilet seat for easy removal and cleaning



1013097	Toilet Pan – Grey Seat
1013099	Slimline Pneumatic Cistern
0192061	Raised Metal Flush Button

[Click here for more product information](#)

*By clicking this link you are being taken to an external website.

[Home](#)

Shower Tapware

Mecca Care 32mm Grab Rail and Adjustable Shower Rail Set 900mm

Nero

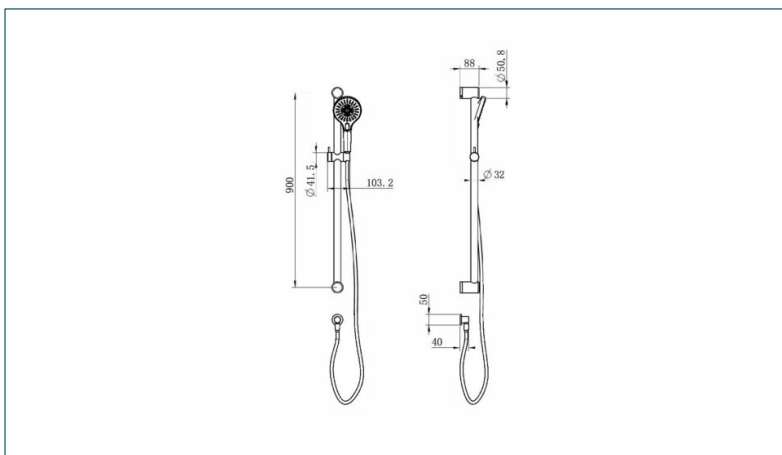
I/No: 0648731 Supplier Code: NRCS005CH

Product Dimensions: 980mm H x 205mm W x 70mm D Warranty: 25-year



Product Features:

- Constructed from sturdy 304-grade stainless steel for lasting durability
- Capable of supporting weights up to 150kg, providing reliable support
- Designed to meet the size requirements of AS1428.1 for public wheelchair-accessible showers
- 3 function handset
- Strong and durable, satin-smooth hose
- Watermark License: WM-060093



0648731	Chrome	
0648752	Matt Black	
0648689	Brushed Gold	
0648771	Gun Metal	

[Click here for more product information](#)

*By clicking this link you are being taken to an external website.

[Home](#)

Shower Tapware

CAROMA | Made For Life

HomeCare Linear Shower Rail

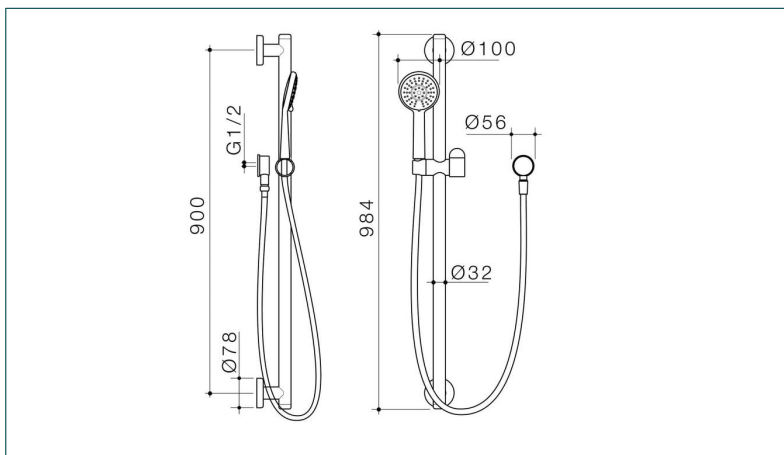
I/No: 0676559 **Supplier Code:** 98280BN3A

Product Dimensions: 984mm H x 132mm W x 58mm D **Warranty:** 20-year



Product Features:

- Australian design and engineered
- Fitted with dual check valve for back-flow prevention
- Premium flex shower hose for durability and easy cleaning
- Includes 3-spray function shower handset
- WELS 4 star (Range E) Rated, 7.5L/min
- Manufactured to comply with AS1428.1 Access and Mobility requirements
- 900mm shower rail constructed to withstand 1100N force (110kg)



0676559	Brushed Nickel
0676561	Matt Black
0676560	Polished Stainless Steel

[Click here for more product information](#)

*By clicking this link you are being taken to an external website.

[Home](#)

Shower Tapware

Mecca Shower Mixer 80mm Plate

Nero

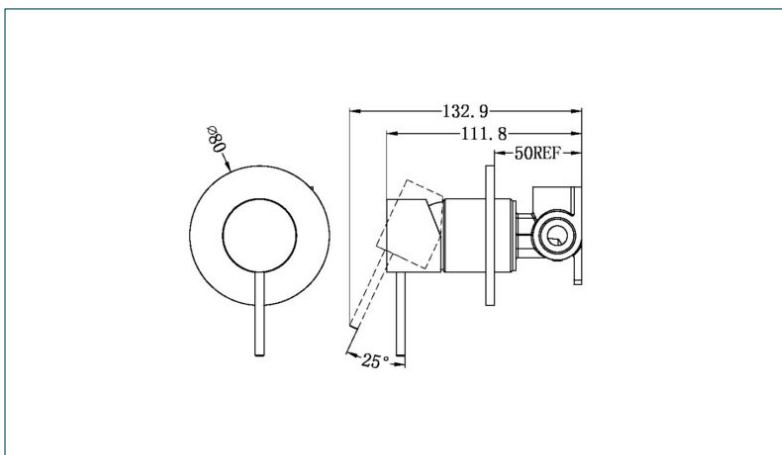
I/No: 1055880 **Supplier Code:** NR221911CH

Product Dimensions: 132.9mm D x 80mm Diameter **Warranty:** 20-year



Product Features:

- 35mm ceramic cartridge can be adjusted to control water temperature and flow control setting
- Metal wall plate construction for longevity
- Body inlets – ½ BSP female
- Suitable for mains pressure installation
- Wels rating not required
- Replaceable trim kits
- Watermark: WM-060073



1055880	Chrome
1055892	Gum Metal
1055910	Matt Black
0648771	Gun Metal

[Click here for more product information](#)

*By clicking this link you are being taken to an external website.

[Home](#)

Shower Tapware

HomeCareAssistant Living Bath/Shower Mixer

CAROMA | Made For Life

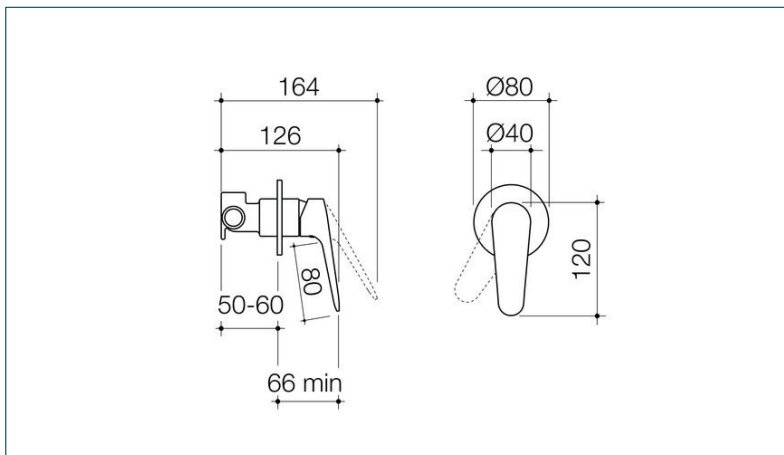
I/No: 0676554 Supplier Code: 98274C

Product Dimensions: 126.mm D x 80mm Diameter Warranty: 20-year



Product Features:

- Australian design and engineered
- Can be installed to comply with AS1428.1 Access and Mobility requirements
- Ergonomic handle design
- Large colour indicators for easier identification
- Available in chrome, matte black and brushed nickel
- 20 years residential warranty



0676554	Chrome
0676528	Brushed Nickel
0676543	Matt Black

[Click here for more product information](#)

*By clicking this link you are being taken to an external website.

[Home](#)

Basins

Caroma Opal 720 Wall Basin Left Hand Shelf

CAROMA | Made For Life

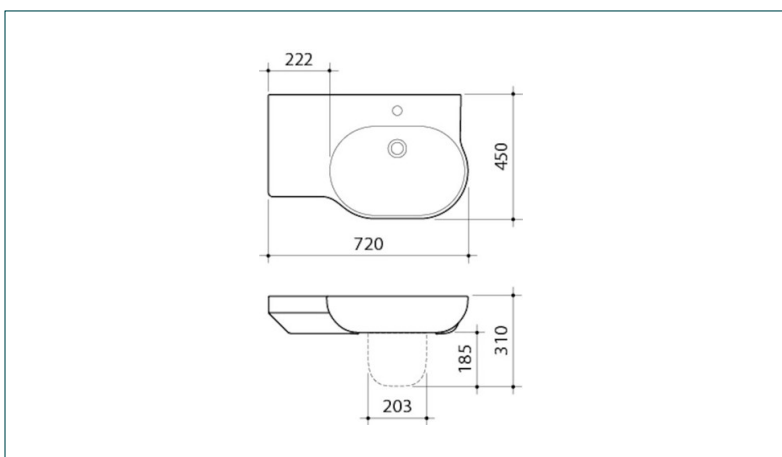
I/No: 4820908 Supplier Code: 632210W

Product Dimensions: 720mm W x 450mm D x 310mm H Warranty: 20-year



Product Features:

- 9.5L capacity
- Overflow not available
- White plug & chrome grate waste included (687328C)
- Optional shroud
- Available in left or right hand shelf variations. Optional bariatric bracket available
- Basin not designed to be installed against a side wall
- Can be installed to comply to AS1428.1 Design for Access and Mobility



4820908	Left Hand Shelf
4820915	Right Hand Shelf

[Click here for more product information](#)

By clicking this link you are being taken to an external website.

[Home](#)

Basins

Caroma Opal 920 Wall Basin Right Hand Shelf CAROMA | Made For Life

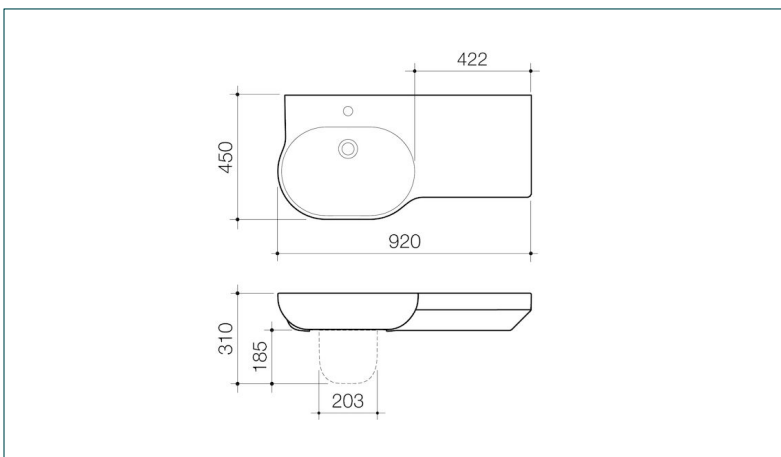
I/No: 4820919 **Supplier Code:** 632310W

Product Dimensions: 720mm W x 450mm D x 310mm H **Warranty:** 20-year



Product Features:

- 9.5L capacity
- Overflow not available
- White plug & chrome grate waste included (687328C)
- Optional shroud
- Available in left or right hand shelf variations
- Ceramic, white only
- Basin not designed to be installed against a side wall



4820908	Left Hand Shelf
4820915	Right Hand Shelf

[Click here for more product information](#)

*By clicking this link you are being taken to an external website.

[Home](#)

Basins

Chios 205 Care Semi Recessed Basin 1TH

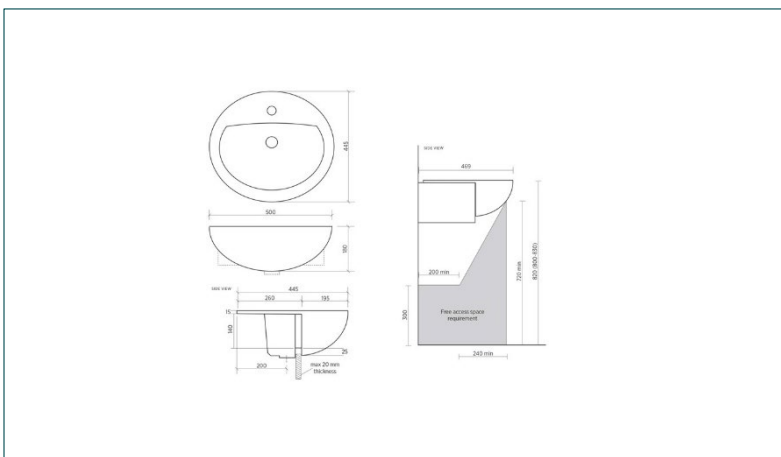
SEIMA

I/No: 0191858 Supplier Code: 191472

Product Dimensions: 500mm L x 445mm W x 180mm H Warranty: 20-year

Product Features:

- Can be installed to comply with AS1428.1 compliant
- Classically styled semi-recessed basin with generous capacity
- 1 Tap Hole
- 7 Litre capacity
- Standard with overflow
- Suits standard 32mm waste with overflow (not included)



[Click here for more product information](#)

*By clicking this link you are being taken to an external website.

[Home](#)

Basins

Limni 720 Wall Basin 1TH

SEIMA

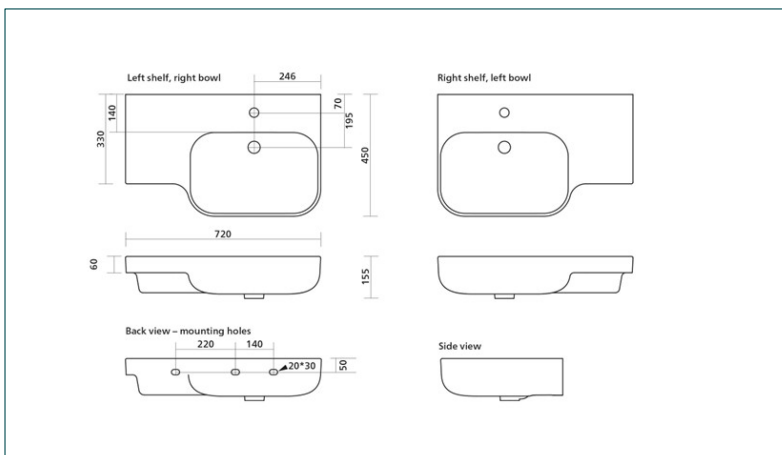
I/No: 0191858 Supplier Code: 192304

Product Dimensions: 720mm L x 450mm W x 155mm H Warranty: 20-year



Product Features:

- Can be installed to comply with AS1428.1 Compliant
- 1 Tap hole
- Suits 32mm waste (not included)
- Integrated overflow
- Vitreous china



1013096	Right Hand Shelf
1013095	Left Hand Shelf

[Click here for more product information](#)

*By clicking this link you are being taken to an external website.

[Home](#)

Basin Tapware

40mm Round Bottle Trap

Nero

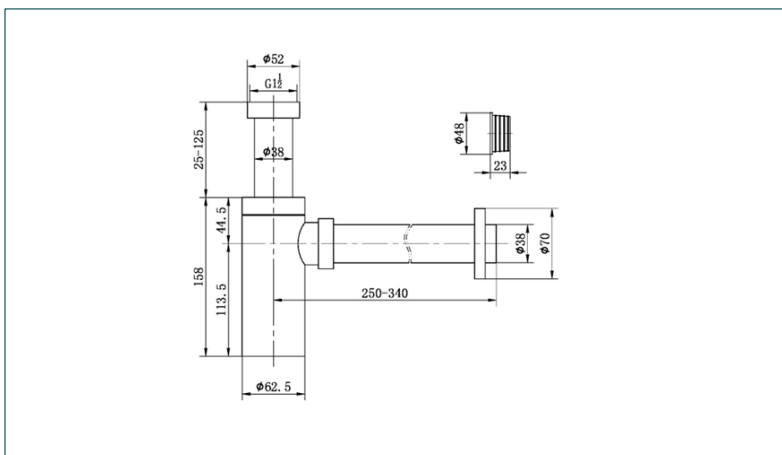
I/No: 1055916 **Supplier Code:** NRA186wMB

Product Dimensions: 283mm H x 340mm D x 62.5 Diameter **Warranty:** 10-year



Product Features:

- Suits wall hung basins
- 40mm connection
- Watermark approved



1055916	Mat Black	
1055896	Chrome	
1055912	Brushed Gold	
1055902	Gun Metal	

[Click here for more product information](#)

By clicking this link you are being taken to an external website.

[Home](#)

Basin Tapware

Bottle Trap Wall Exit

SEIMA

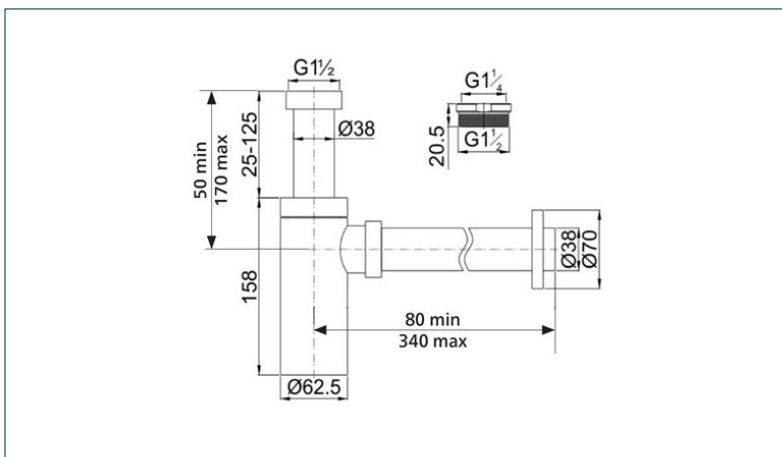
I/No: 1013101 Supplier Code: 191822

Product Dimensions: 283mm H x 340mm D x 62.5 Diameter Warranty: 5-year



Product Features:

- Suits 40mm wastes
- Wall exit
- Solid brass base



[Click here for more product information](#)

By clicking this link you are being taken to an external website.

[Home](#)

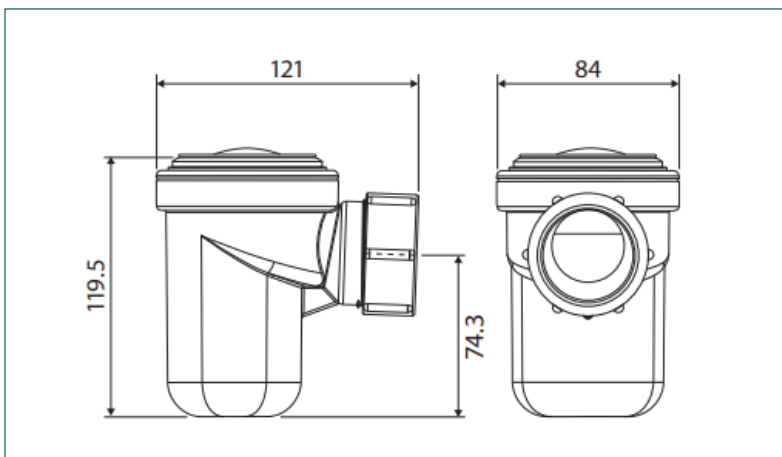
Basin Tapware

Micro Basin Trap

fienza

I/No: 1051731 Supplier Code: MICROTRAP

Product Dimensions: 189mm H x 50mm W x 200mm D Warranty: 5-year



Product Features:

- Electroplated chrome finish
- Can be installed for AS 1428.1:2021 Accessible Compliance
- Long handle for easy reach and operation
- Large red and blue indicators for hot and cold markings
- Made from solid brass
- High quality European cartridge (25 mm)
- PEX split-resistant hoses
- Please note: These products may have a visible Fienza or Watermark logo
- WELS 5 Star rated, 5L/min; WELS Registration: T36525

[Click here for more product information](#)

*By clicking this link you are being taken to an external website.

[Home](#)

Basin Tapware

Universal Pop Up Waste

Nero

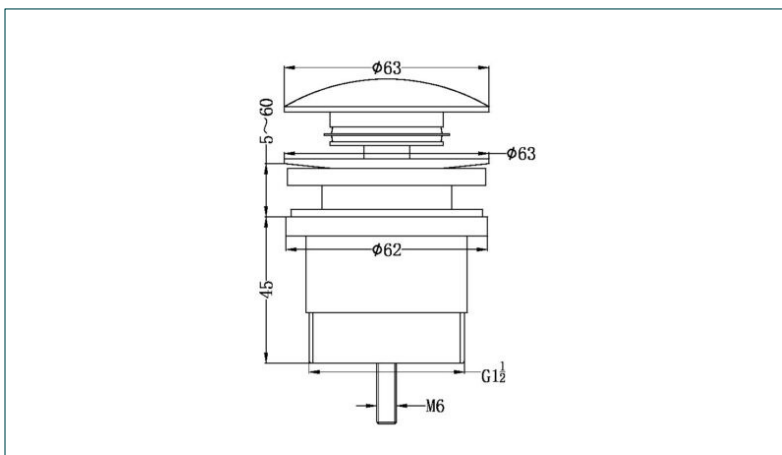
I/No: 1055914 **Supplier Code:** NRA706BG

Product Dimensions: 105mm H x 63mm W **Warranty:** 10-year



Product Features:

- Universal design suitable for both overflow and non-overflow basins
- Standard 40mm bottle trap connection
- Fits basin waste holes from 42mm to 58mm
- Watermark: WM-026021



1055914	Brushed Gold	
1055918	Matt Black	
1055890	Chrome	
1055902	Gun Metal	

[Click here for more product information](#)

*By clicking this link you are being taken to an external website.

 Home

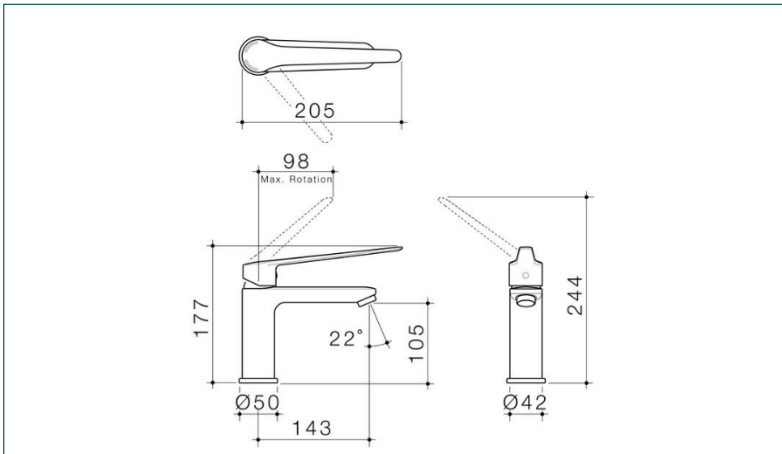
Basin Tapware

Opal Basin Mixer with Care Handle H/C

CAROMA | Made For Life

I/No: N/A Supplier Code: 99708B65AF

Product Dimensions: 177mm H x 205mm D x 50mm Diameter Warranty: 20-year



Product Features:

- Durable brass body construction
- Assembled with AS1428.1 compliant extended care lever handle with hot and cold (H/C) indicators
- 35mm ceramic disc cartridge eliminates drips and minimises maintenance
- Assembled with WELS 6S, 4.5L/min aerator. Also includes optional WELS 5S, 6.0L/min aerator
- Available in chrome, PVD brushed nickel and matte black
- Australian designed and engineered
- <0.25% lead as per Lead Free Watermark certification*

N/A	Brushed Nickel 99708BN65AF
N/A	Chrome 99708C65AF
N/A	Matt Black 99708B65AF

[Click here for more product information](#)

*By clicking this link you are being taken to an external website.

[Home](#)

Basin Tapware

Mecca Care Basin Mixer

Nero

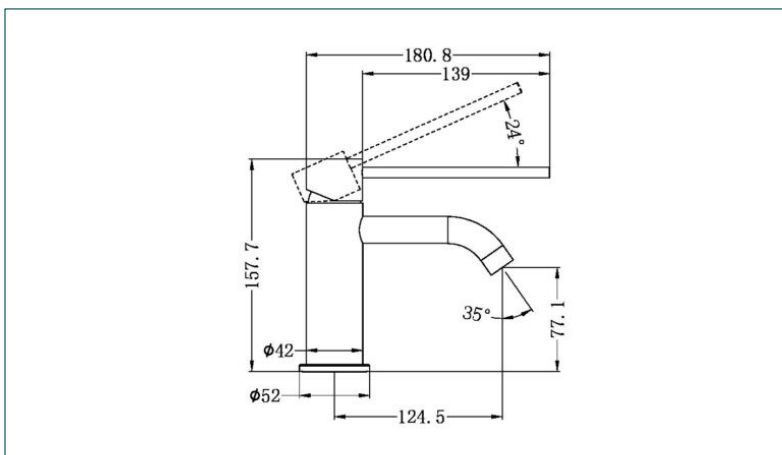
I/No: 0648993 **Supplier Code:** NR221901dCH

Product Dimensions: 157.7 H x 180.80 D x 52mm Diameter **Warranty:** 25-year



Product Features:

- 25mm cartridge
- Solid brass construction for longevity
- Extended lever handle for care facilities or those with restricted movement
- NEOPERL aerator with slim stream flow director
- Polyamide flexible hose – ½ BSP Female
- Can be installed to comply to AS1428.1 Design for access and mobility requirements



0648993	Chrome	
0649045	Brushed Gold	
0649032	Gun Metal	
0648599	Matt Black	

[Click here for more product information](#)

*By clicking this link you are being taken to an external website.

 Home

Basin Tapware

Claudia Sensor Mixer with Black Top Display

Nero

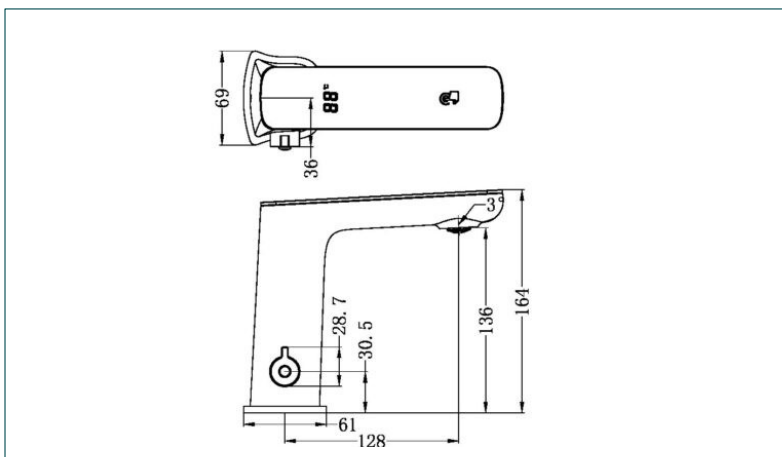
I/No: 0468269 Supplier Code: NR222101CH

Product Dimensions: 164mm H x 61mm Diameter Warranty: 25-year



Product Features:

- Brass construction for longevity
- Hands free operation for hygiene life
- Super-fast sensing control
- Touch control mode
- Ultra-low power consumption
- 6 Different finishes and two different face-plate options



0648269	Chrome	
0648662	Gun Metal	
0649032	Matt Black	
0648663	Brushed Gold	

[Click here for more product information](#)

*By clicking this link you are being taken to an external website.

[Home](#)

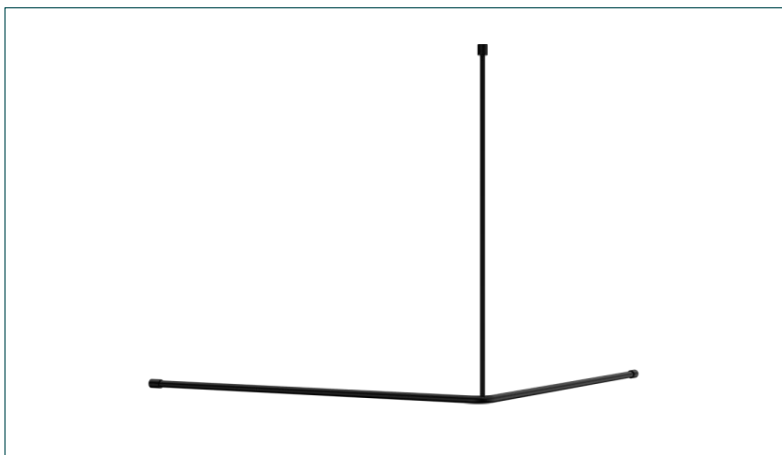
Bathroom Accessories

Mecca Care Curtain Rail 90 Degree

Nero

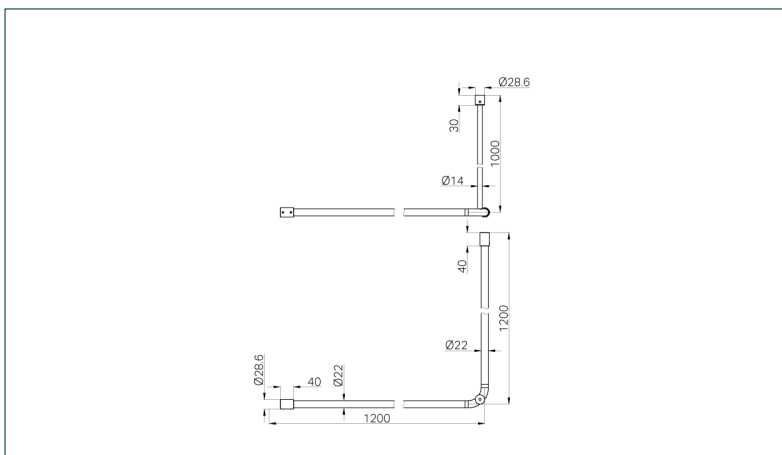
I/No: 1055879 **Supplier Code:** NRCR0006MB

Product Dimensions: 1200mm x 1200mm **Warranty:** 25-year



Product Features:

- 22mm Diameter
1200x1200x1000mm 90° curtain rail suits up to 3m ceiling height
- Easy install modular rails can be cut down in each direction during installation
- Can be installed to be compliant for AS1428.1
- Suits all standard hookless curtains or regular shower curtain hooks (curtains and hooks not included)



1055879	Matte Black	
1055888	Chrome	
1055885	Gun Metal	
1055894	Brushed Gold	

[Click here for more product information](#)

By clicking this link you are being taken to an external website.

[Home](#)

Bathroom Accessories

L Bend Shower Curtain Track System



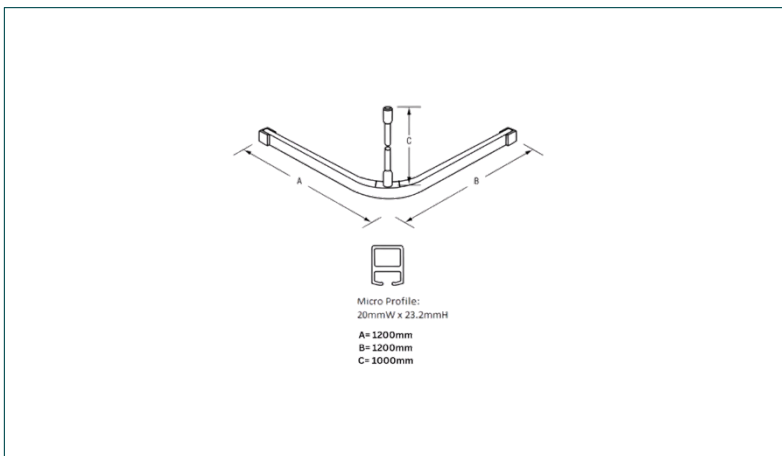
I/No: N/A **Supplier Code:** SCT_1200X1200MM

Product Dimensions: 1200mm x 1200mm **Warranty:** 1-year



Product Features:

- Anodised aluminium track
- Anodised aluminium ceiling suspension rod, hooks and wall mount bracket
- Tracks and rods can be cut to size
- Curtain sold separately



N/A	Anodised Aluminium
N/A	Matte Black

[Click here for more product information](#)

*By clicking this link you are being taken to an external website.

[Home](#)

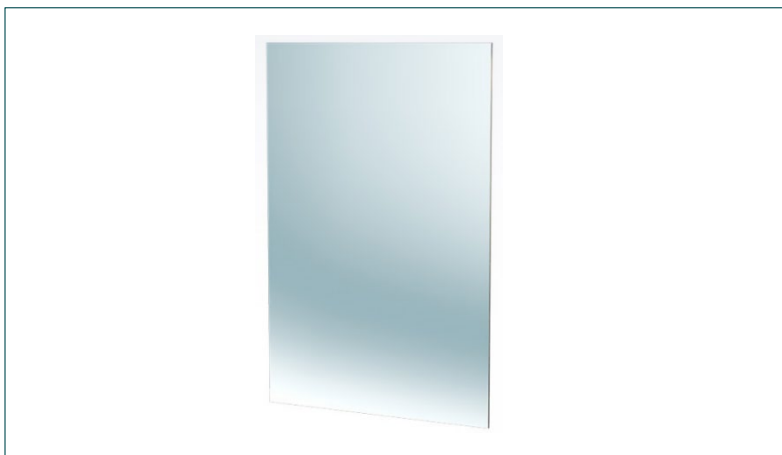
Bathroom Accessories

Flat Edge Mirror



I/No: 0029907 **Supplier Code:** Multiple

Product Dimensions: 900mm W x 5mm D **Warranty:** 1-year



Product Features:

- Polished bevel edge design
- 5mm glass thickness
- Vinyl backing
- Easy installation

0029907	600x900x5mm
0029912	750x900x5mm
0029908	900x900x5mm

Bathroom Accessories

Bevel Edge Mirror

fienza

I/No: 0038098 **Supplier Code:** Multiple

Product Dimensions: 106mm H x 65mm W x 106mm D **Warranty:** 1-year



Product Features:

- Bevel edge
- CAT acrylic backing and resin emulsion painted to protect against corrosion and black spots
- 5mm thick glass
- Copper free to prevent corrosion
- Can be mounted in portrait or landscape orientation using pre-attached, non-removable brackets

0038098	600x750x5mm
0018360	750x900x5mm
0018361	900x900x5mm

[Click here for more product information](#)

*By clicking this link you are being taken to an external website.

[Home](#)

Bathroom Accessories

Heavy Duty Toilet Roll Holder

Nero

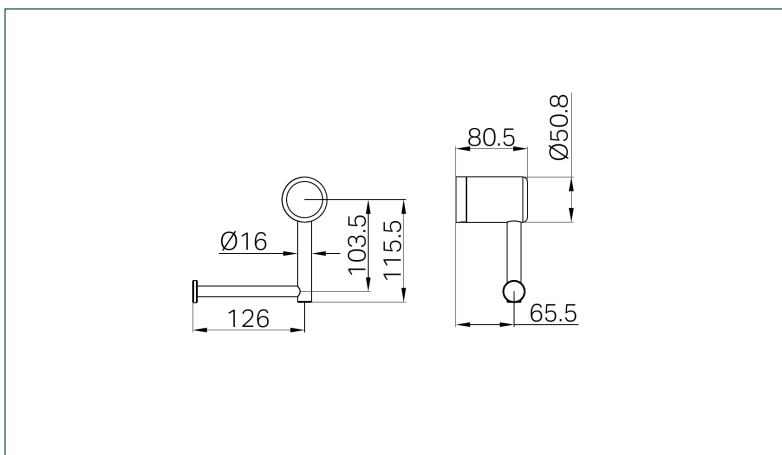
I/No: 0648765 Supplier Code: NRCR3286MB

Product Dimensions: 126mm W x 115.5H Warranty: 25-year



Product Features:

- 304 grade stainless steel construction for durability
- Can handle 100kg as well as a roll of toilet paper
- Minimalist styling complements modern bathroom designs



0648765	Matte Black	
0649071	Chrome	
0648742	Brushed Gold	
0648768	Gun Metal	

[Click here for more product information](#)

*By clicking this link you are being taken to an external website.

Home

Bathroom Accessories

Luna Toilet Roll Holder

CAROMA | Made For Life

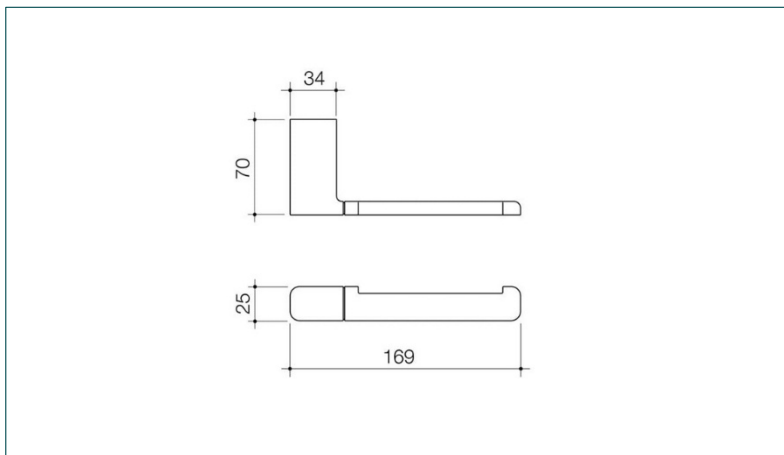
I/No: 0126250 Supplier Code: 99607C

Product Dimensions: 169mm W x 25mm H x 70mm D Warranty: 1-year



Product Features:

- Solid metal construction
- Durable high-quality finish



0126250	Chrome
0327371	Brushed Nickel
0327639	Black

[Click here for more product information](#)

*By clicking this link you are being taken to an external website.

[Home](#)

Contact us for all your business needs

Phone

134 Trade

Email

sda@bunnings.com.au

Visit

trade.bunnings.com.au/products/assisted-living

trade.bunnings.com.au/about-us/sda-solutions