

MODULAR
SERIES >>

PINNACLE
HARDWARE

XL SLIMLINE CABINET

265H x 1350W x 2300mm

ITEM NO: GOS089

Very Important: Unpack the unit and confirm that you have all the parts listed. Assemble the unit on a solid, level surface. Avoid carpet. You will need the assistance of a second person during assembly. **Safety tip:** For added safety and support we recommend you fix unit to a wall. **You will need the following:** Rubber mallet and a Phillips-head screwdriver.

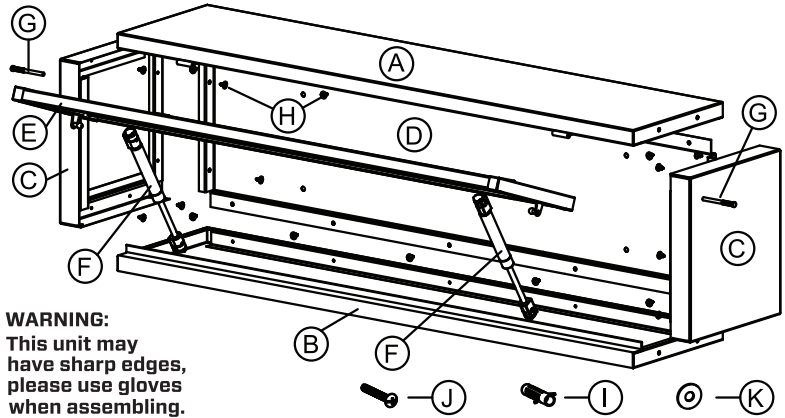
POWDER COATED
MATTE BLACK

50kg
TOTAL CAPACITY

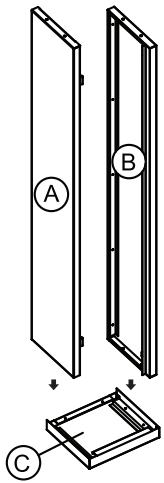
SAFETY TIP:

When assembling or installing this product wear protective gloves and eyewear.

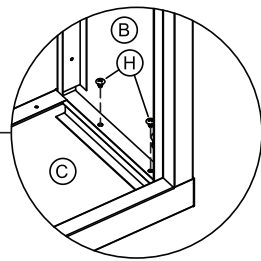
NO	PART NAME	PCS
A	Top panel	1PC
B	Bottom panel	1PC
C	Side panel	2PCS
D	Back panel	1PC
E	Door	1PC
F	Gas struts	2PCS
G	Hinge pin	2PCS
H	M4 x 10mm Self tapping screw	22PCS
I	Plug	4PCS
J	M5 x 32mm Self tapping screw	4PCS
K	Washer	4PCS



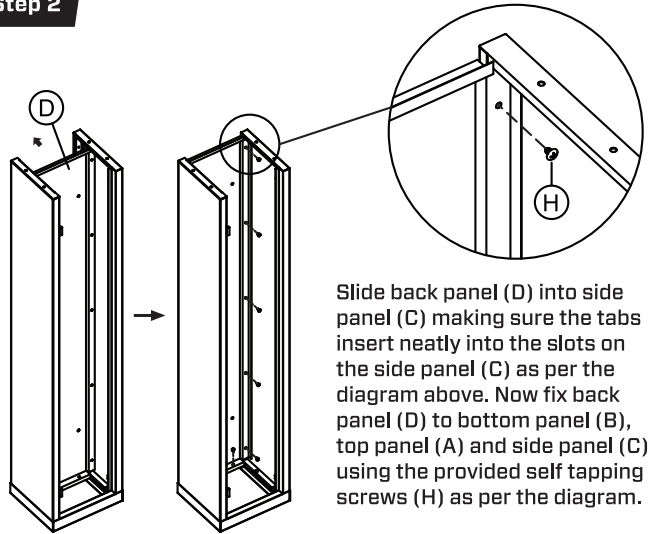
Step 1



Slide bottom panel (B) into one of the side panels (C) making sure the tabs insert neatly into the slots on the bottom panel (C) as per the diagram above. Fix bottom panel (B) using two of the provided self tapping screws (H) as per the diagram. Now repeat the same process for the top panel (A).

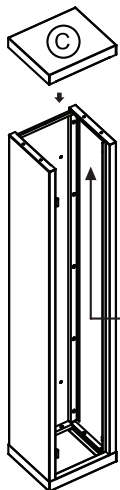


Step 2

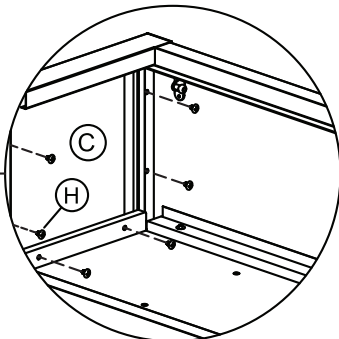


Slide back panel (D) into side panel (C) making sure the tabs insert neatly into the slots on the side panel (C) as per the diagram above. Now fix back panel (D) to bottom panel (B), top panel (A) and side panel (C) using the provided self tapping screws (H) as per the diagram.

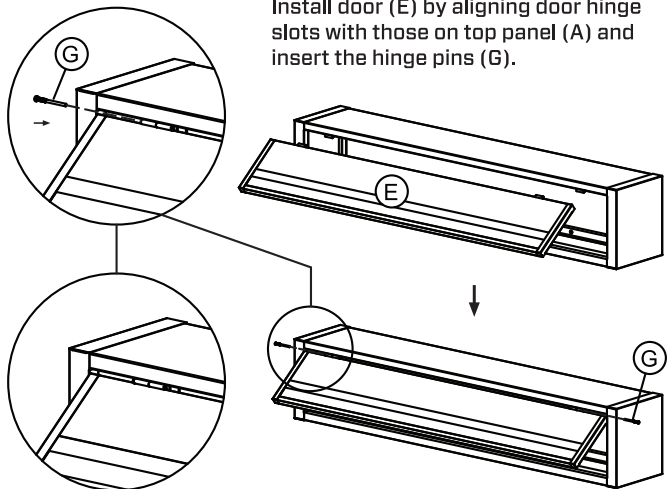
Step 3



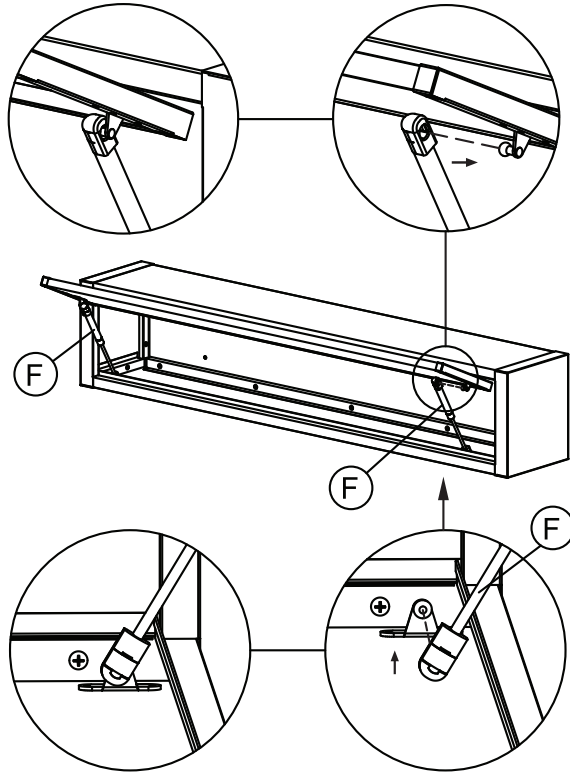
Place remaining side panel (C) onto back panel (D), top panel (A) and bottom panel (B) and gently push tabs on the panels neatly into slots on side panel. Once tabs have been inserted, fix all panels together using the provided self tapping screws (H) as per diagram.



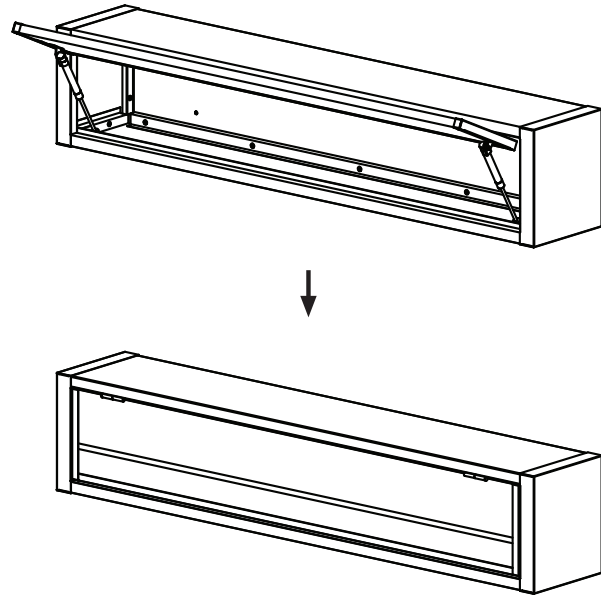
Step 4



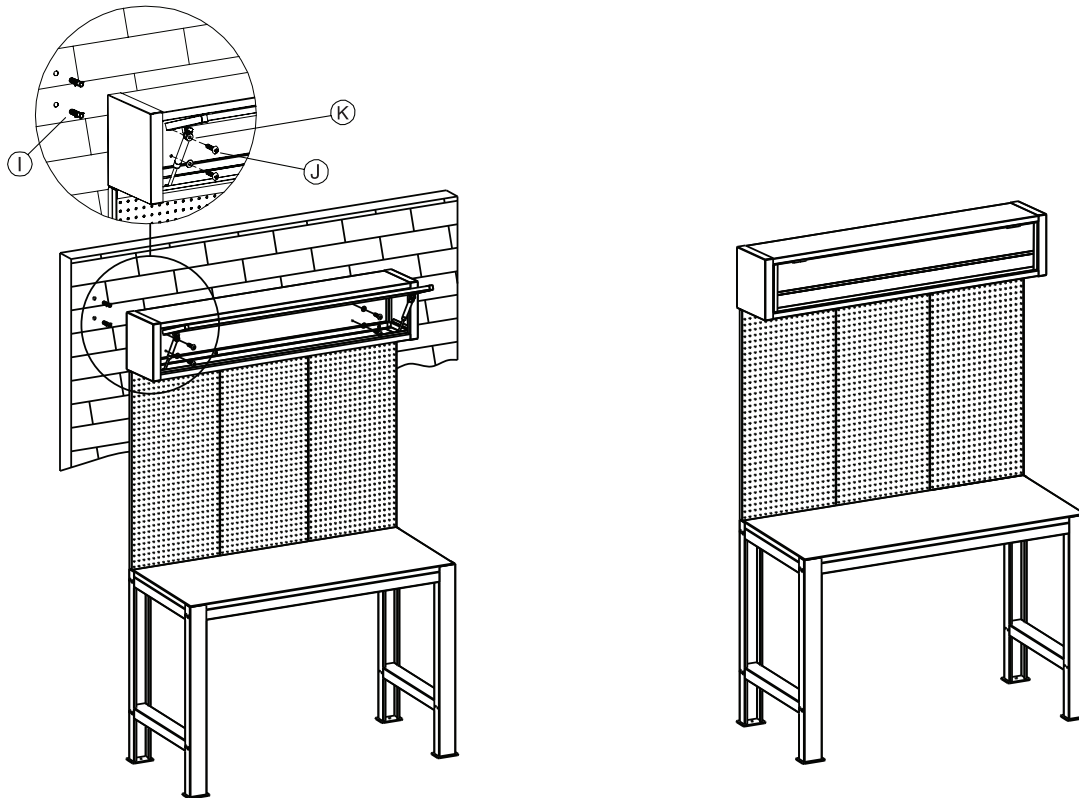
Install door (E) by aligning door hinge slots with those on top panel (A) and insert the hinge pins (G).

Step 5

Once door is attached, fix the gas struts (F) to the brackets on the door (E) and bottom panel (B).

Step 6

Ensure gas struts (F) are in correct position and slide smoothly when opening and closing the door.



This cabinet can be easily mounted onto a wall. First drill four holes which align exactly with the holes on the back panel (D) for mounting the cabinet. Then insert the included plugs (I) into the drilled holes and use the long self tapping screws (J) and washers (K) to fix the cabinet to a wall.

WARRANTY CONDITIONS: Any claim under this warranty must be made within 1 year of the date of purchase of the product. To make a claim under this warranty, take the product (with proof of purchase) to any Bunnings store (for AUS customers see www.bunnings.com.au and for NZ customers see www.bunnings.co.nz for store locations). Pinnacle Hardware bears reasonable, direct expenses of claiming under the warranty. You may submit details and proof of purchase to our support centre for consideration. The warranty covers manufacturer defects in materials, workmanship and finish under normal use. This warranty is provided in addition to other rights and remedies you may have under law. Our goods come with guarantees that cannot be excluded under the Australian consumer law or Consumer Guarantees Act 1993 (NZ). You are entitled to a replacement or refund for a major failure and compensation for any other reasonably foreseeable loss or damage. You are also entitled to have the goods repaired or replaced if the goods fail to be of acceptable quality and the failure does not amount to a major failure. This warranty excludes damage resulting from product misuse or product neglect, any modifications, additions or alterations to the product including the addition of extra shelves. Additions or modifications can compromise the structure and safety of the product. The warranty covers domestic use only and does not apply to commercial applications. This warranty is given by Pinnacle Hardware, ABN 87 614 496 196, 28 Hudson Court, Keysborough Vic 3173, 1800 349 776, Email: support@pinnacle.net.au. Products sold in New Zealand are imported by Bunnings New Zealand. 'Pinnacle' is a trademark. © Pinnacle Hardware. Suitable for model number G0S089.