





THIS PRODUCT SHOULD BE ANCHORED TO A WALL OR OTHER SUITABLE SURFACE TO AVOID SERIOUS INJURY OR DEATH.

To help avoid any serious injury or death, this product can be fastened to the wall using leg fixing points to prevent toppling. We strongly recommend that this product be permanently fixed to the wall or other suitable surface. Fixing devices are not included since different surface materials require different attachments. Please seek professional advice if you are in doubt what fixing device to use. Regularly check your fixing device.


LIST OF PARTS




4 x Keyhole Uprights




4 x Standard Long Double Rivet Beams




4 x Standard Short Double Rivet Beams



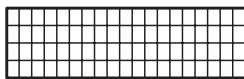
2 x Short Top Support Single Rivet Beams




8 x Standard Single Rivet Beams



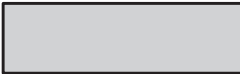
2 x Long Top Support Single Rivet Beams




6 x Wire Shelves



8 x Plastic Feet



1 x 9mm MDF Top



16 x Cross Braces

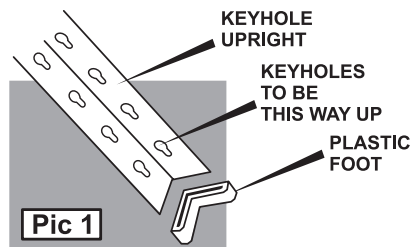
Plastic Totes sold separately

THE ONLY TOOL YOU REQUIRE IS A MALLET

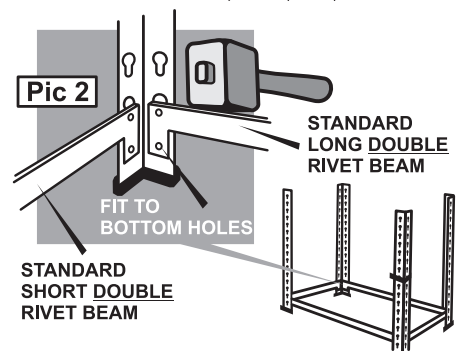
WARNING

Handle cut metal edges carefully.

- Attach a Plastic Foot to 1 end (bottom end) of each of the 4 Keyhole Uprights.
NOTE: Ensure keyholes are the correct way up. (Pic 1)



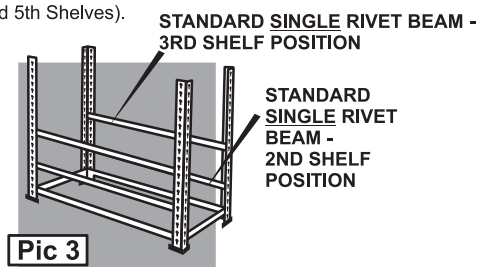
- Fit 2 Standard Long DOUBLE Rivet Beams and 2 Standard Short DOUBLE Rivet Beams to the bottom two holes of the 4 Keyhole Uprights by slotting the Keylock Pins in the Beams into the keyholes in the Uprights and tapping firmly with a mallet to seat in place. (Pic 2)



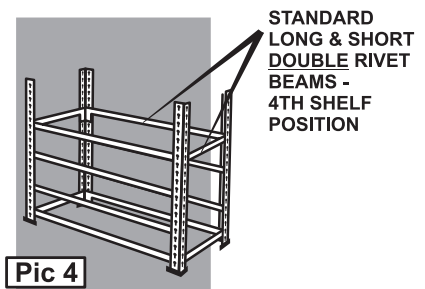
- Fit 2 Standard SINGLE Rivet Beams where you want the 2nd Shelf to be positioned. Then fit another 2 Standard SINGLE Rivet Beams where you want the 3rd Shelf to be positioned. (Pic 3)

PLEASE NOTE: These shelf levels do not require Standard Short Beams.

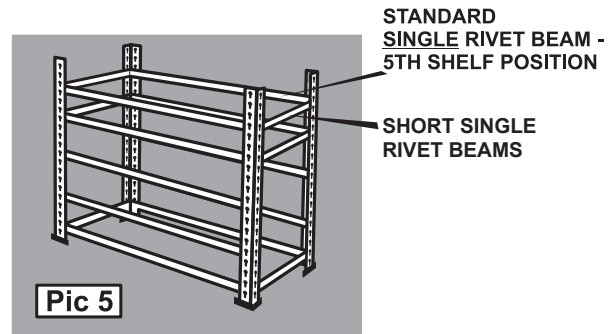
(We have shelf position recommendations listed below. These are based on having Size 50 or 40 Plastic Totes on the Bottom, 2nd and 3rd Shelves and Size 30 Plastic Totes on the 4th and 5th Shelves).



- Fit remaining 2 Standard Long DOUBLE Rivet Beams and remaining 2 Standard Short DOUBLE Beams where you want the 4th Shelf to be positioned. (Pic 4)



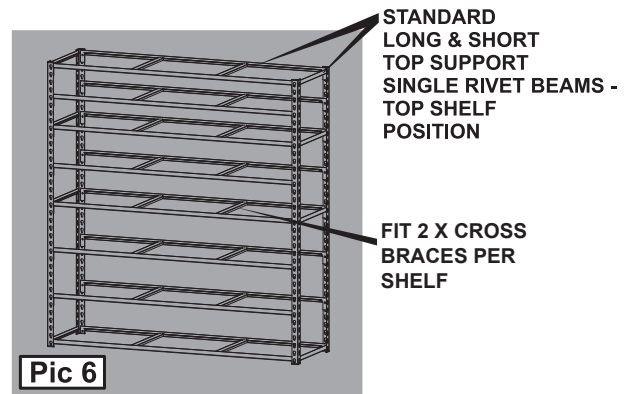
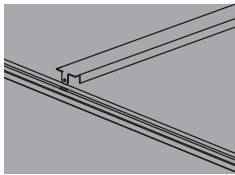
- 5** Fit 2 Standard SINGLE Rivet beams and 2 Short Single Rivet beams where you 5th Shelf (pic 5)
PLEASE NOTE: This shelf level does not require Standard Short Beams.



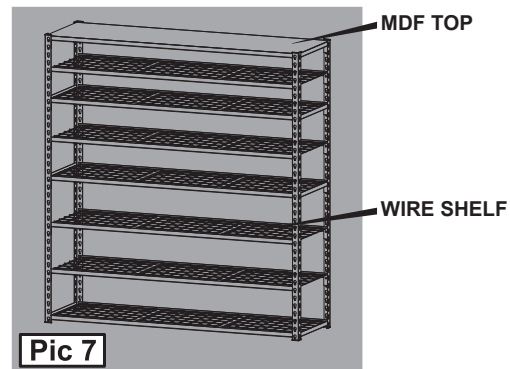
- 6** Fit 2 Long Top Support Single Rivet Beams and 2 Short Top Support Single Rivet Beams to the top two holes of the Keyhole Uprights. (Pic 6)

IMPORTANT: Only use Long and Short Top Support Beams for Top Shelf position.

Fit 2x Cross braces to each shelf.



- 7** Place 6x Wire Shelves on the Shelf Beams, starting at the Bottom Shelf and working upwards. Then place the MDF Top on the Top Shelf Beams. (Pic 7)



- 8** Fit the remaining 4 Plastic Feet to the tops of the Keyhole Uprights. (Pic 8)

