

The logo for MIMOSA, featuring the brand name in a white, sans-serif font inside a solid black rectangular box. The background of the entire page is a light gray with a faint, large-scale pattern of palm fronds.

MIMOSA®

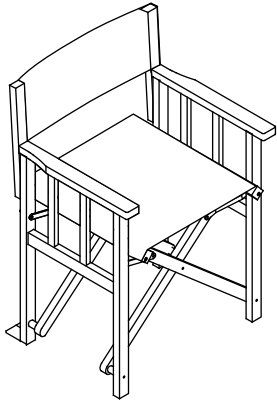
Assembly
Instructions

TIMBER DIRECTORS CHAIR

0584216

ASSEMBLY INSTRUCTIONS

COMPONENT PARTS



FITTINGS

PART	No.	Qty.	☑
Seat Chair	01	1	<input type="checkbox"/>
Back Chair	02	1	<input type="checkbox"/>



COMPONENT CHECKLIST

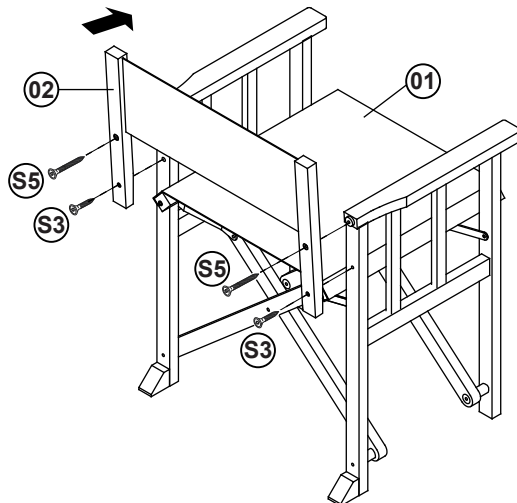
S3		SCREW (M7 x 35mm) x 2 Pcs
S5		SCREW (M7 x 50mm) x 2 Pcs

TOOLS REQUIRED

K		ALLEN KEY 5 x 75 x 2Pcs
----------	---	-------------------------

Step 1 Partially open the chair then attach the back rest timber uprights to the chair at the pre-drilled holes using screws S3x2 and S5x2.

S3		x 2
S5		x 2



Step 2 Open the chair completely.

