
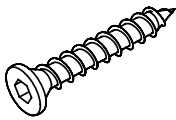
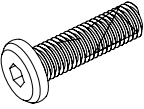


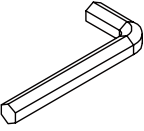
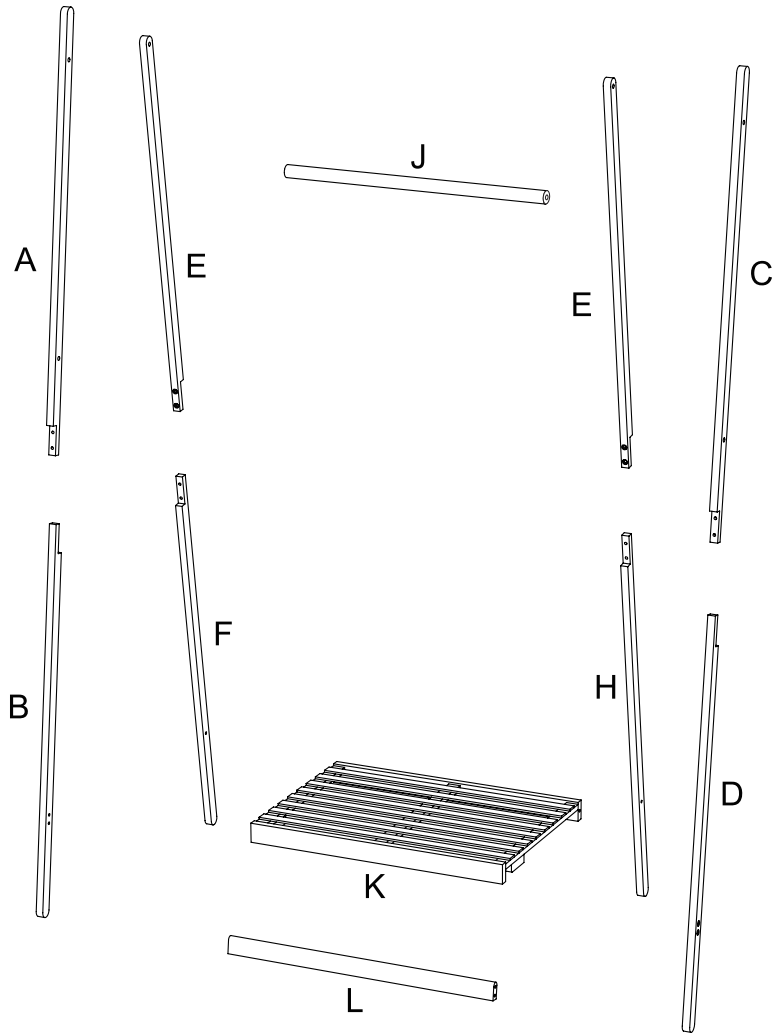


**CARE INSTRUCTIONS:** We recommend to wipe over with a dry micro-fibre cloth to remove any dust. Avoid using a damp or wet cloth and any cleaning chemicals as this may cause damage to the surface.

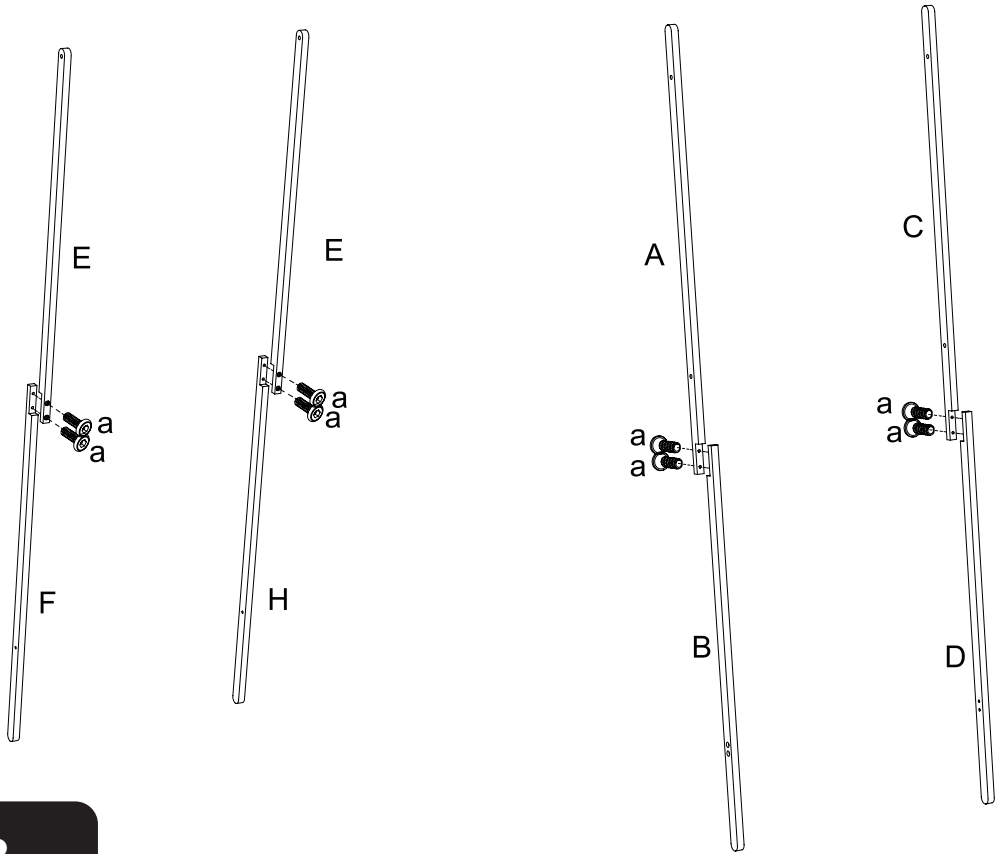
**HARDWARE**

<p><b>a</b></p>  <p><b>M6x20mm x8</b></p>	<p><b>b</b></p>  <p><b>M5x35mm x4</b></p>	<p><b>c</b></p>  <p><b>M6x25mm x2</b></p>
<p><b>d</b></p>  <p><b>x2</b></p>	<p><b>e</b></p>  <p><b>x2</b></p>	<p><b>f</b></p>  <p><b>x1</b></p>

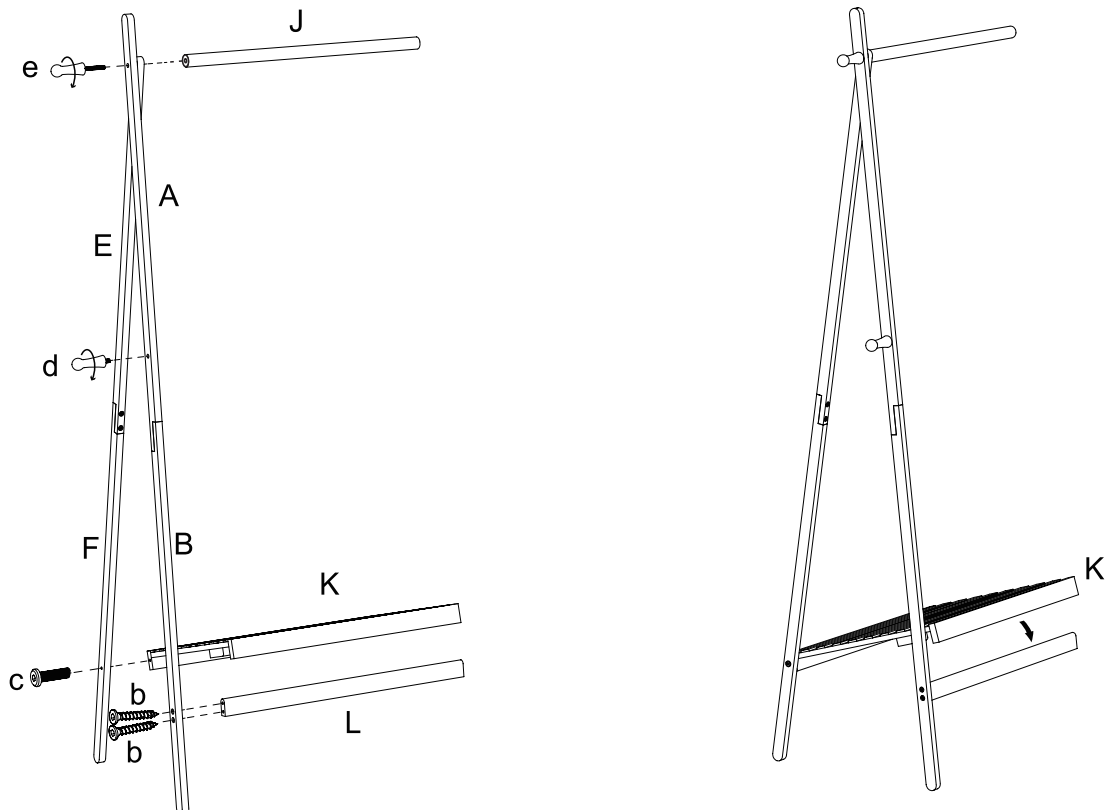
**ELEMENT**



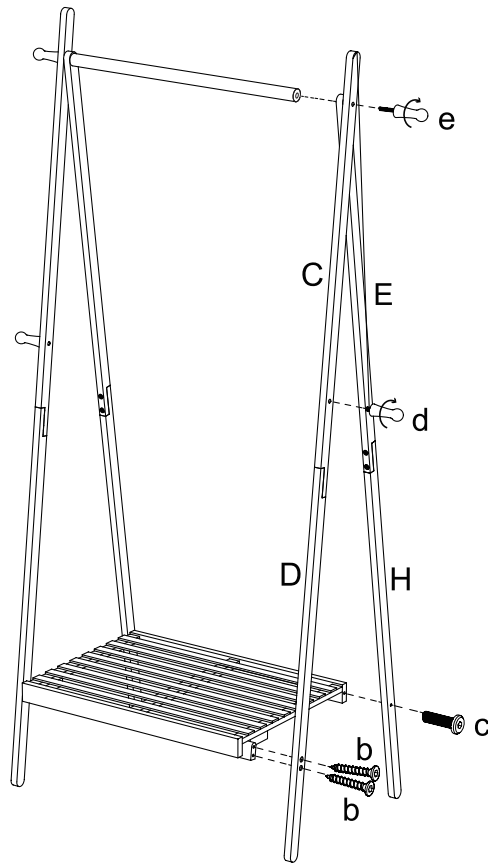
**STEP 1**



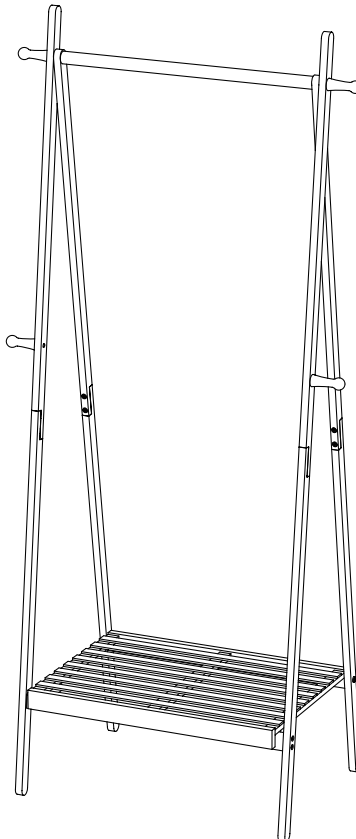
**STEP 2**



**STEP 3**



**STEP 4**



MADE IN CHINA

Distributed by:

Visy Retail Services Pty Ltd (AU): 1300 734 714

Visy Board Limited (NZ): 0800 443 058

[flexistorage.com.au](http://flexistorage.com.au)

[flexistorage.co.nz](http://flexistorage.co.nz)