

# Bradley

AUSTRALIA

customised excellence

## MODEL 220-312-MB

Option:

220-312 Satin Finish Stainless Steel

www.bradleyaustralia.com

### AIRSTREAM ECO AUTOMATIC HAND DRYER 220-312-MB



#### PRODUCT FEATURES:

- Matt black stainless steel finish
- Intelligent sensor
- Wall mounted
- 240V, 800W, 3.6A
- Ideal for mid to high volume public washrooms

Overall Dimensions  
228mm W x 278mm H x 154mm D

#### PRODUCT DATA:

##### CONSTRUCTION:

OUTER CASE: Manufactured of matt black type 304 stainless steel, 2mm thick, featuring vandal resistant key.

MOTOR: Brushless high efficiency with low power consumption.

##### ELECTRICAL SPECIFICATIONS:

ELECTRICAL SUPPLY:	240V / 50Hz / 3.6A
RATED POWER:	800W
AIR VOLUME:	75m <sup>3</sup> /h
AIR VELOCITY:	85m/sec
NOISE LEVEL:	>70db
NETT WEIGHT:	3.3kg
PROTECTION CATEGORY:	IP 22

##### RECOMMENDED INSTALLATION HEIGHT:

Men's Washroom	1200mm
Women's Washroom	1150mm
Children's Washroom (ages 11-15)	1110mm
Children's Washroom (ages 5-10)	850mm
Disabled Person's Washroom	1000mm

##### OPERATION:

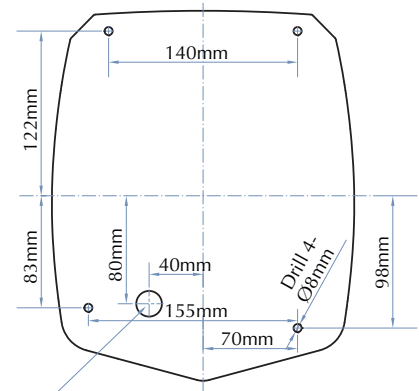
Activation by infra-red (touch free) sensor. The intelligent sensor alters the temperature of the output airflow to suit the installation environment. This is an adjustable feature to be amended by a certified electrician. Round nozzle for concentrated air flow and quick drying process. Automatically adjusts heating power for energy conservation.

##### INSTALLATION:

Requires 10 amp power supply. Secure to wall through back-plate with mounting screws provided.

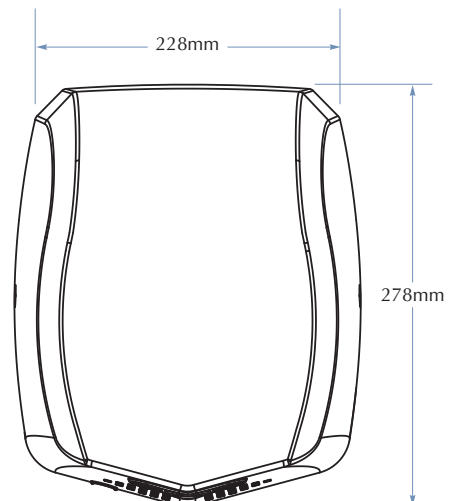
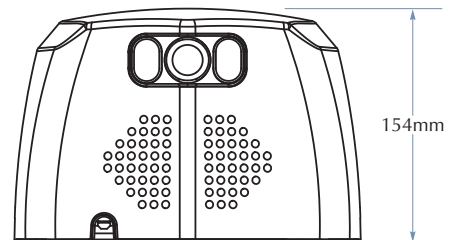
##### GUIDE SPECIFICATION:

Surface mounted automatic hand dryer shall be fabricated of matt black type 304 stainless steel, 2mm thick, featuring vandal-resistant key and concealed nozzle. Motor long-life energy saver. Low noise, high air flow speed. 10 to 15 seconds drying time.



Hole for cable entry

INSTALLATION TEMPLATE



TOLL FREE 1300 364 561

The manufacturer reserves the right to make changes in design and material without formal notice and without incurring obligation.