

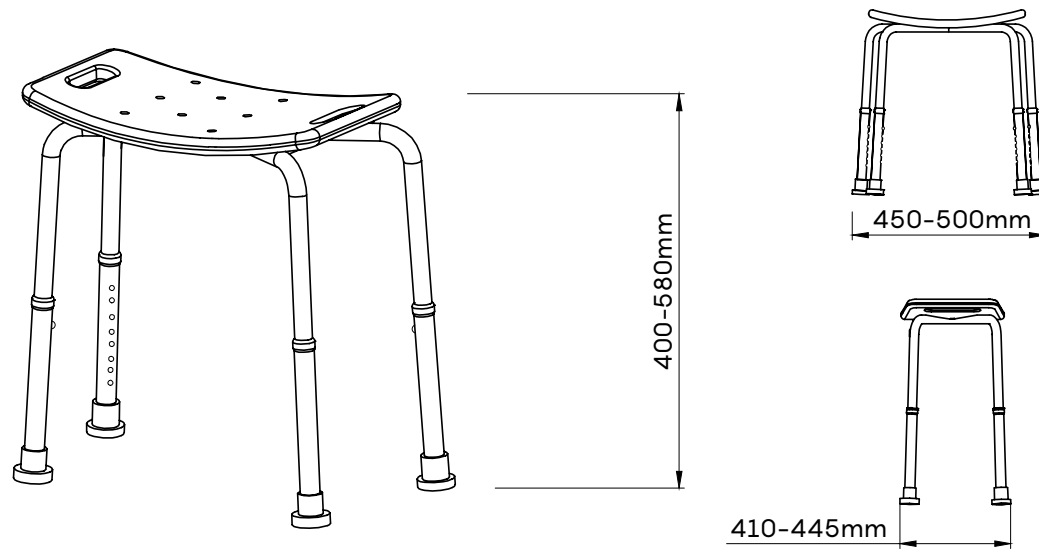
# evekare™

## Freestanding Bath/Shower Seat

Height adjustable bathing chair

Item Number: EVK-0440-MCE

- Suitable for assisted living and aged care
- 495 mm W x 381 mm D x 356-533 mm H
- Heavy-duty aluminium frame
- Integrated handles for added security
- Non-slip seat and feet
- Supports up to 110 kg



Dimensions in millimeters (mm) and subject to manufacturing tolerances

