

Montana / Idaho

CORD DRAWN

Extendable Curtain Track



INSTALLATION INSTRUCTIONS

Step 1) Measure and mount the brackets onto architrave or wall. If extending past the architrave/window frame, be sure to use additional fittings (plugs) when securing to plaster. If track is to be mounted directly to ceiling/top fixing, no end brackets are required. Attach the pulley housing (without brackets) and centre support directly to ceiling.

Step 2) Install centre support at identical height as the End Brackets. Please note Centre Brackets are marked according to track Inner or Outer track. Position at equal distances between end brackets.

Step 3) Track is pre-strung for right hand draw. To change to left hand draw, simply un-hook the cord from the left pulley slot (reverse side of master carrier), and draw out the cord fully to the left hand side of the curtain track before proceeding to the next step.

Step 4) Expand Curtain Track to appropriate length & insert into brackets from the front ensuring they clip into place securely. Secure centre of track into all centre supports.

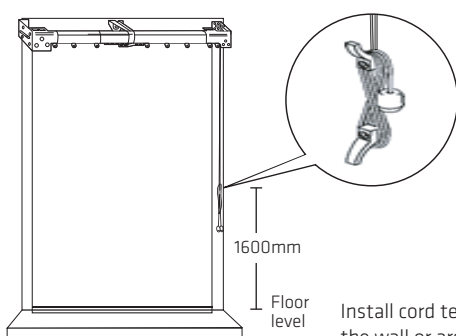
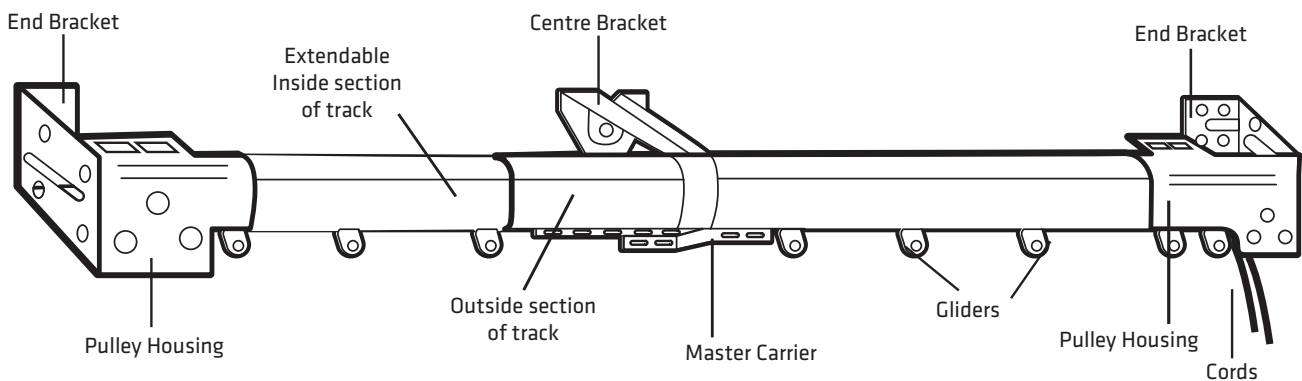
Step 5) To shorten any excess cord, pull cord out from behind master carrier until cord reaches desired height. Knot cord behind master carrier & cut off excess cord.

Step 6) If master carrier needs to be centred, simply position into centre by hand & while holding in place, pull cords taught.

Step 7) IMPORTANT: Install child safety tension device as per below instructions.

Step 8) Curtains are ready to hang.

Note: When hanging, pinch pleat or pencil pleat curtains, ensure desired hooks are used. (Sold separately.)



Install cord tensioning device to the wall or architrave

Cord tensioner should be fitted to a wall or architrave ensuring that the cord is taut at all times. Cord tensioner must be 1600mm above floor level

! WARNING

1. A cord guide may be installed lower than 1600mm above floor level if the cord is sufficiently secured or tensioned to prevent a loop 220mm or longer from being formed.
2. If a cord guide is installed lower than 1600mm above floor level it must be designed to prevent a child from being able to remove the cord.
3. If a cleat is used to secure the cord it must be at least 1600mm above floor level because a child is capable of unwinding a cord from cleat.

WARNING: Young children have died by wrapping loose curtain and blind cords or chains around their necks. Secure cords or chains with cord guides or keep them out of reach by winding them around a cleat. Move cots and furniture away from window covering cords or chains. Do not remove this label.

WARNING: To avoid creating a possible strangulation hazard for children, the window covering must be installed in such a way that a loose cord cannot form a loop 220mm or longer at a height of less than 1600mm above the floor.

Montana / Idaho

HAND DRAWN

Extendable Curtain Track



INSTALLATION INSTRUCTIONS

Step 1)

Measure and mount the brackets onto architrave or wall. If extending past the architrave/window frame, be sure to use additional fittings (plugs) when securing to plaster.

Step 2)

Install centre support at identical height as the End Brackets. Please note Centre Brackets are marked according to track Inner or Outer track. Position at equal distances between end brackets

Step 3)

Expand Curtain Track to appropriate length & insert into brackets from the front ensuring they clip into place securely. Secure centre of track into all centre supports.

Step 4)

Curtains are ready to hang.

Note: When hanging, pinch pleat or pencil pleat curtains, ensure desired hook lengths are used.
(Sold separately.)

Fig: 1

