

RYOBI®

**RSC1840
OSC1800**

ORIGINAL INSTRUCTIONS

Cordless Surface Cleaner



Important!

It is essential that you read the instructions in this manual before assembling, operating and maintaining the product.

Subject to technical modification.

Safety, performance, and dependability have been given top priority in the design of your cordless surface cleaner.

INTENDED USE

The cordless surface cleaner is intended to be used only by adults who have read and understood the instructions and warnings in this manual and can be considered responsible for their actions.

For safety reasons, the product must be adequately controlled by a two-handed operation.

The product is intended only for outdoor use in a well-ventilated area. The product is used to clean flat surfaces, joints, and in-between surfaces outdoors, including stone slabs, tiles, paving stones, and wood surfaces. The product is not suitable for vertical use like house walls and overhead work like ceilings.

Do not use the product for any other purpose.

GENERAL POWER TOOL SAFETY WARNINGS

WARNING

Read all safety warnings and all instructions. Failure to follow the warnings and instructions may result in electric shock, fire and/or serious injury.

Save all warnings and instructions for future reference.

The term "power tool" in the warnings refers to your mains-operated (corded) power tool or battery-operated (cordless) power tool.

WORK AREA SAFETY

- **Keep work area clean and well lit.** Cluttered or dark areas invite accidents.
- **Do not operate power tools in explosive atmospheres, such as in the presence of flammable liquids, gases or dust.** Power tools create sparks which may ignite the dust or fumes.
- **Keep children and bystanders away while operating a power tool.** Distractions can cause you to lose control.

ELECTRICAL SAFETY

- **Power tool plugs must match the outlet. Never modify the plug in any way. Do not use any adapter plugs with earthed (grounded) power tools.** Unmodified plugs and matching outlets will reduce risk of electric shock.
- **Avoid body contact with earthed or grounded surfaces, such as pipes, radiators, ranges and refrigerators.** There is an increased risk of electric shock if your body is earthed or grounded.
- **Do not expose power tools to rain or wet conditions.** Water entering a power tool will increase the risk of electric shock.
- **Do not abuse the cord. Never use the cord for carrying, pulling or unplugging the power tool. Keep cord away from heat, oil, sharp edges or moving parts.** Damaged or entangled cords increase the risk of electric shock.

- **When operating a power tool outdoors, use an extension cord suitable for outdoor use.** Use of a cord suitable for outdoor use reduces the risk of electric shock.
- **If operating a power tool in a damp location is unavoidable, use a residual current device (RCD) protected supply.** Use of an RCD reduces the risk of electric shock.

PERSONAL SAFETY

- **Stay alert, watch what you are doing and use common sense when operating a power tool. Do not use a power tool while you are tired or under the influence of drugs, alcohol or medication.** A moment of inattention while operating power tools may result in serious personal injury.
- **Use personal protective equipment. Always wear eye protection.** Protective equipment such as dust mask, non-skid safety shoes, hard hat or hearing protection used for appropriate conditions will reduce personal injuries.
- **Prevent unintentional starting. Ensure the switch is in the off-position before connecting to power source and/or battery pack, picking up or carrying the tool.** Carrying power tools with your finger on the switch or energising power tools that have the switch on invites accidents.
- **Remove any adjusting key or wrench before turning the power tool on.** A wrench or a key left attached to a rotating part of the power tool may result in personal injury.
- **Do not overreach. Keep proper footing and balance at all times.** This enables better control of the power tool in unexpected situations.
- **Dress properly. Do not wear loose clothing or jewellery. Keep your hair, clothing and gloves away from moving parts.** Loose clothes, jewellery or long hair can be caught in moving parts.
- **If devices are provided for the connection of dust extraction and collection facilities, ensure these are connected and properly used.** Use of dust collection can reduce dust-related hazards.
- **Do not let familiarity gained from frequent use of tools allow you to become complacent and ignore tool safety principles.** A careless action can cause severe injury within a fraction of a second.

POWER TOOL USE AND CARE

- **Do not force the power tool. Use the correct power tool for your application.** The correct power tool will do the job better and safer at the rate for which it was designed.
- **Do not use the power tool if the switch does not turn it on and off.** Any power tool that cannot be controlled with the switch is dangerous and must be repaired.
- **Disconnect the plug from the power source and/or the battery pack, if detachable, from the power tool before making any adjustments, changing accessories, or storing power tools.** Such preventive safety measures reduce the risk of starting the power tool accidentally.



- **Store idle power tools out of the reach of children and do not allow persons unfamiliar with the power tool or these instructions to operate the power tool.** Power tools are dangerous in the hands of untrained users.
- **Maintain power tools and accessories. Check for misalignment or binding of moving parts, breakage of parts and any other condition that may affect the power tool's operation. If damaged, have the power tool repaired before use.** Many accidents are caused by poorly maintained power tools.
- **Keep cutting tools sharp and clean.** Properly maintained cutting tools with sharp cutting edges are less likely to bind and are easier to control.
- **Use the power tool, accessories and tool bits etc. in accordance with these instructions, taking into account the working conditions and the work to be performed.** Use of the power tool for operations different from those intended could result in a hazardous situation.
- **Keep handles and grasping surfaces dry, clean, and free from oil and grease.** Slippery handles and grasping surfaces do not allow for safe handling and control of the tool in unexpected situations.

BATTERY TOOL USE AND CARE

- **Recharge only with the charger specified by the manufacturer.** A charger that is suitable for one type of battery pack may create a risk of fire when used with another battery pack.
- **Use power tools only with specifically designated battery packs.** Use of any other battery packs may create a risk of injury and fire.
- **When battery pack is not in use, keep it away from other metal objects, like paper clips, coins, keys, nails, screws or other small metal objects, that can make a connection from one terminal to another.** Shorting the battery terminals together may cause burns or a fire.
- **Under abusive conditions, liquid may be ejected from the battery; avoid contact. If contact accidentally occurs, flush with water. If liquid contacts eyes, additionally seek medical help.** Liquid ejected from the battery may cause irritation or burns.
- **Do not use a battery pack or tool that is damaged or modified.** Damaged or modified batteries may exhibit unpredictable behaviour resulting in fire, explosion or risk of injury.
- **Do not expose a battery pack or tool to fire or excessive temperature.** Exposure to fire or temperature above 130°C may cause explosion.
- **Follow all charging instructions and do not charge the battery pack or tool outside the temperature range specified in the instructions.** Charging improperly or at temperatures outside the specified range may damage the battery and increase the risk of fire.

SERVICE

- **Have your power tool serviced by a qualified repair person using only identical replacement parts.** This will ensure that the safety of the power tool is maintained.
- **Never service damaged battery packs.** Service of battery packs should only be performed by the manufacturer or authorized service providers.

CORDLESS SURFACE CLEANER SAFETY WARNINGS

- Never allow children, persons with reduced physical, sensory, or mental capabilities or lack of experience and knowledge, or people unfamiliar with these instructions to use the product.
- Use the product in daylight or with good artificial light.
- Keep proper footing and balance at all times, and be sure of proper footing on slopes.
- Do not walk backwards when using the product.
- Walk, never run.
- Keep the head attachment below waist level.
- Never operate the product with damaged guards or without the guards in place.
- Keep hands and feet away from the cleaning means at all times and especially when switching on the motor.
- Turn off the product and remove the battery pack. Make sure that all moving parts have come to a complete stop:
 - before servicing
 - before leaving the product unattended
 - before clearing a blockage
 - before checking, cleaning, and working on the product
 - before changing accessories
 - after striking a foreign object
 - whenever performing maintenance
 - whenever the product starts to vibrate abnormally
- Wear full eye and hearing protection while using the product. If working in an area where there is a risk of falling objects, head protection must be worn.
- Hearing protection may restrict the operator's ability to hear warning sounds. Pay particular attention to potential hazards around and inside the working area.
- Always ensure that ventilation openings are kept clear of debris.
- Before use and after any impact, check that there are no damaged parts. A defective switch or any part that is damaged should be properly repaired or replaced by an authorised service centre.
- Do not modify the product in any way. This may increase the risk of injury to yourself or others.
- Immediately turn off and remove the battery pack in the event of accident or breakdown. Do not operate the product again until it has been fully checked by an authorised service centre.
- Always test the product on the material to be cleaned prior to starting full operation.



ADDITIONAL SAFETY WARNINGS

WARNING

Some regions have regulations that restrict the use of the product. Check with your local authority for advice.

- Read the instructions carefully. Be familiar with all controls and the proper use of the product.
- Keep bystanders, children, and pets 15 m away from the area of operation. Stop the product if anyone enters the area.
- Never use the product while tired, ill, or under the influence of alcohol, drugs, or medication.
- Keep in mind that the operator or user is responsible for accidents or hazards occurring to other people or their property.
- Wear heavy, long trousers, boots, and gloves. Do not wear loose-fitting clothing, short trousers, or jewellery of any kind. Do not use the product with bare feet.
- Secure long hair so that it is above shoulder level to prevent entanglement in moving parts.
- Before use and after any impact, check that there are no damaged parts. A defective switch or any part that is damaged or worn should be properly repaired or replaced by an authorised service centre.
- Make sure that the cleaning attachment is properly installed and securely fastened.
- Never operate the product unless all guards, deflectors, and handles are properly and securely attached.
- Exercise extreme caution when using the product.
- Maintain a proper grip on the product whenever the motor is running.

ADDITIONAL BATTERY SAFETY WARNINGS

WARNING

To reduce the risk of fire, personal injury, and product damage due to a short circuit, never immerse your tool, battery pack or charger in fluid or allow a fluid to flow inside them. Corrosive or conductive fluids, such as seawater, certain industrial chemicals, and bleach or bleach-containing products, etc., can cause a short circuit.

TRANSPORTATION AND STORAGE

- Stop the product, remove the battery pack, and allow it to cool down before storing or transporting.
- Clean all foreign material from the product.
- Do not store or transport the product with battery packs fitted; remove and secure the battery packs separately. Store the product in a cool, dry, and well-ventilated place that is inaccessible to children. Keep the product away from corrosive agents, such as garden chemicals and de-icing salts. Do not store the product outdoors.
- Keep the product out of the reach of children.

- For transportation in vehicles, secure the product against movement or falling to prevent injury to persons or damage to the product.

TRANSPORTING LITHIUM BATTERIES

Transport the battery pack in accordance with local and national provisions and regulations. Follow all special requirements on packaging and labelling when transporting batteries by a third party.

Ensure that no battery packs can come in contact with other batteries or conductive materials while in transport by protecting exposed connectors with insulating, non-conductive caps or tape. Do not transport battery packs that are cracked or leaking. Check with the forwarding company for further advice.

MAINTENANCE

WARNING

Use only original manufacturer's replacement parts, accessories, and attachments. Failure to do so can cause possible injury, can contribute to poor performance, and may void your warranty.

WARNING

Servicing requires extreme care and knowledge and should be performed only by a qualified service technician. Have the product serviced by an authorised service centre only. When servicing, use only original replacement parts.

- Turn off the product and remove the battery pack before conducting any maintenance or cleaning work.
- You may make adjustments and repairs described in this manual. For other repairs, contact an authorised service agent.
- Check all nuts, bolts, and screws at frequent intervals for proper tightness to ensure that the product is in safe working condition. Any part that is damaged should be properly repaired or replaced by an authorised service centre.
- Bring the product to an authorised service centre to replace damaged or unreadable labels.

RESIDUAL RISKS

Even when the product is used as prescribed, it is still impossible to completely eliminate certain residual risk factors. The following hazards may arise during use, and the operator should pay special attention to avoid the following:

- injury caused by vibration
 - Hold the product by designated handles and restrict working time and exposure.
- injury caused by exposure to noise
 - Wear hearing protection and limit exposure.
- injury caused by flying debris
 - Wear eye protection at all times.

RISK REDUCTION

It has been reported that vibrations from hand-held tools may contribute to a condition called Raynaud's Syndrome. Symptoms may include tingling, numbness, and blanching of the fingers, usually apparent upon exposure to cold. Hereditary factors, exposure to cold and dampness, diet, smoking, and work practices are all thought to contribute to the development of these symptoms. There are measures that can be taken by the operator to possibly reduce the effects of vibration:

- Keep your body warm in cold weather. When operating the product, wear gloves to keep the hands and wrists warm. It is reported that cold weather is a major factor contributing to Raynaud's Syndrome.
- After each period of operation, exercise to increase blood circulation.
- Take frequent work breaks. Limit the amount of exposure per day.

If you experience any of the symptoms of this condition, immediately discontinue use and see your physician.

⚠ WARNING

Injuries may be caused, or aggravated, by prolonged use of a tool. When using any tool for prolonged periods, ensure you take regular breaks.

WHAT'S IN THE BOX

See pages 5–6.

- Power head
- Handle
- Roller brush
- Roller brush assembly
- Operator's manual
- Battery (sold separately for OSC1800)
- Charger (sold separately for OSC1800)

SYMBOLS ON THE PRODUCT



Read and understand all instructions before operating the product. Follow all warnings and safety instructions.



Wear eye protection.



Wear ear protection.



Wear protective gloves.



Wear non-slip safety footwear when using the product.



Do not expose to rain or damp condition.



Beware of thrown or flying objects. Keep all bystanders, especially children and pets, at least 15 m away from the operating area.



Keep hands away.



Waste electrical products should not be disposed of with household waste. Please recycle where facilities exist. Check with your local authority or retailer for recycling advice.



Guaranteed sound power level



Regulatory compliance mark

The following signal words and meanings are intended to explain the levels of risk associated with the product:



Indicates an imminently hazardous situation, which, if not avoided, will result in death or serious injury.



Indicates a potentially hazardous situation, which, if not avoided, could result in death or serious injury.



Indicates a potentially hazardous situation, which, if not avoided, may result in minor or moderate injury.

CAUTION

(Without Safety Alert Symbol)
Indicates a situation that may result in property damage.

SYMBOLS IN THIS MANUAL



Parts or accessories sold separately



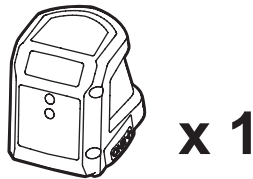
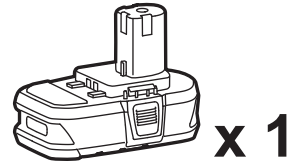
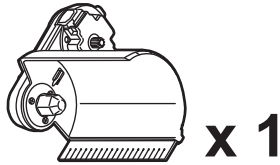
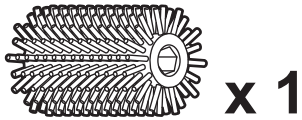
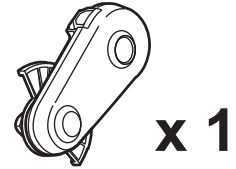
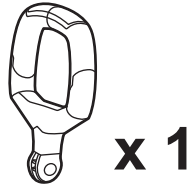
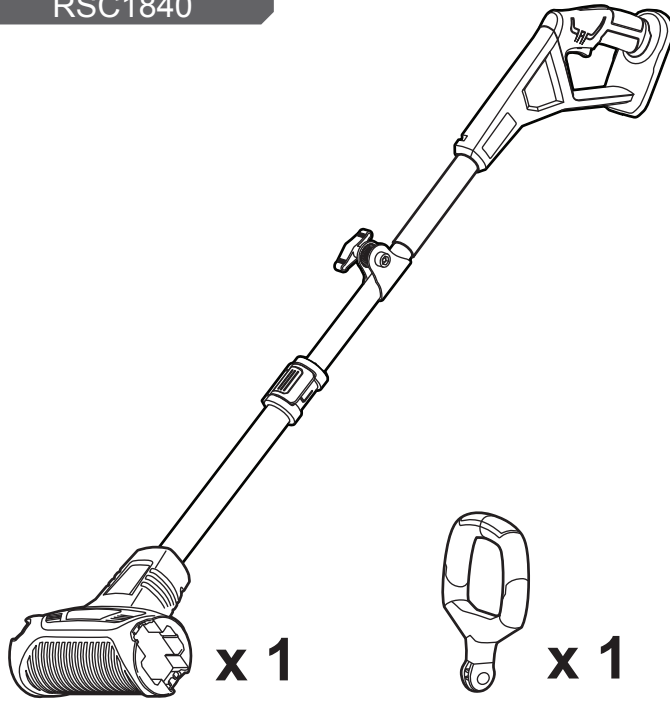
Note



Warning

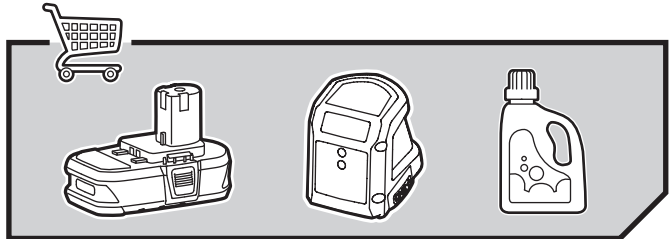
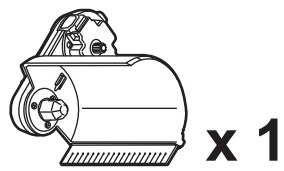
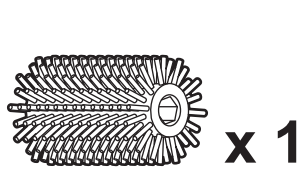
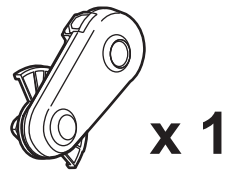
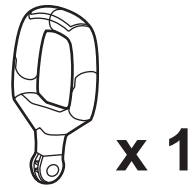
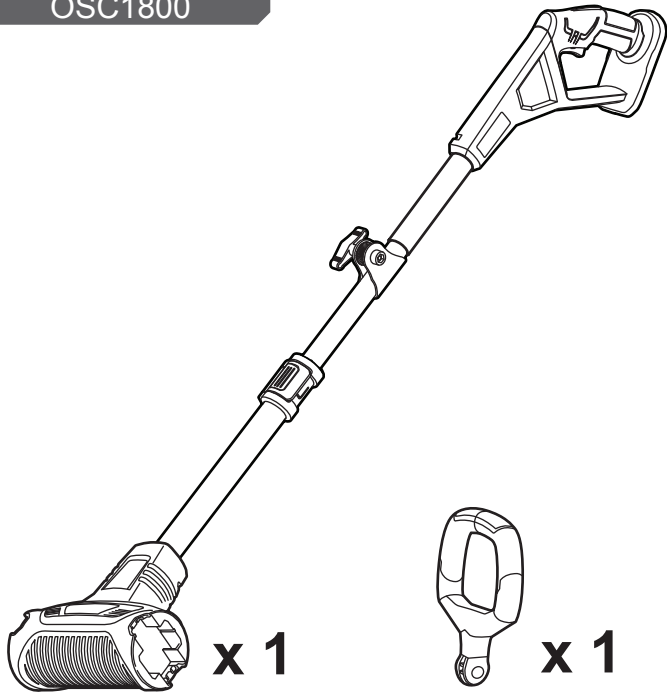
WHAT'S IN THE BOX

RSC1840



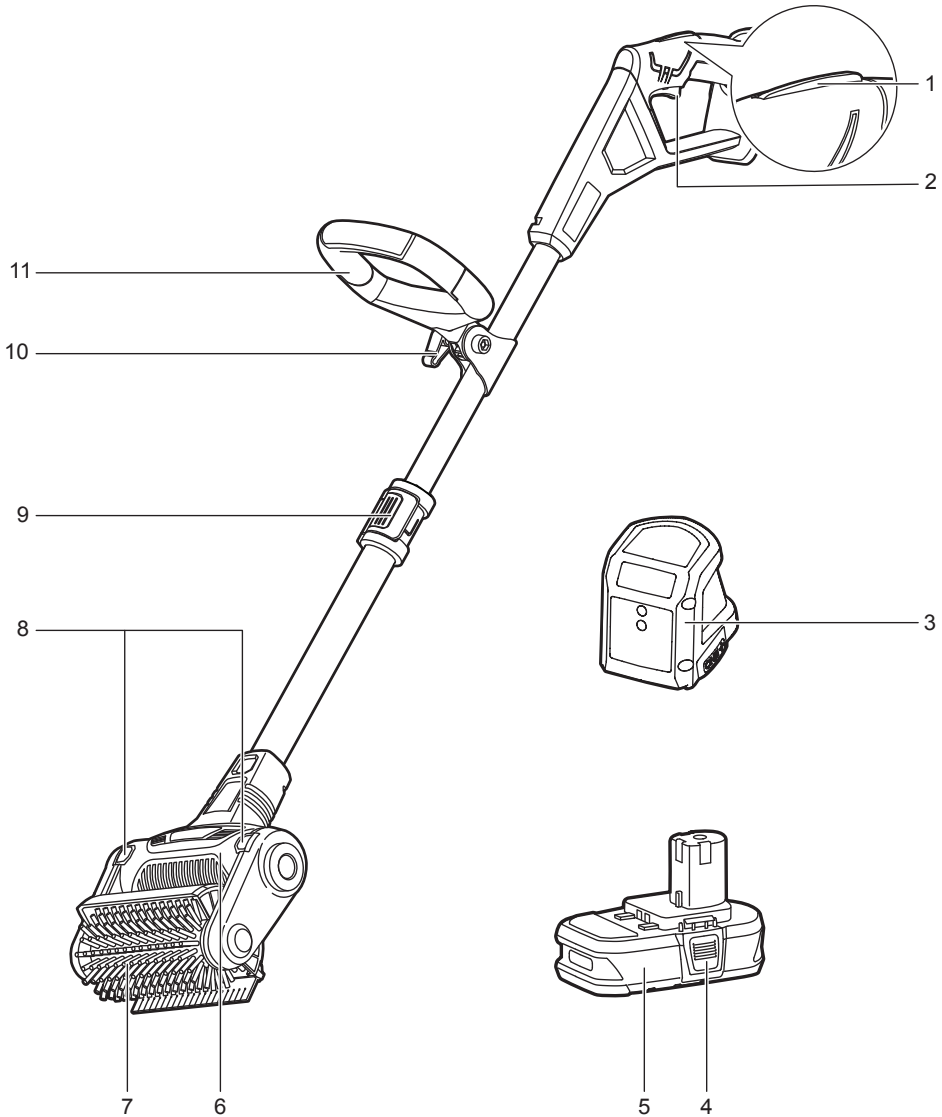
WHAT'S IN THE BOX

OSC1800

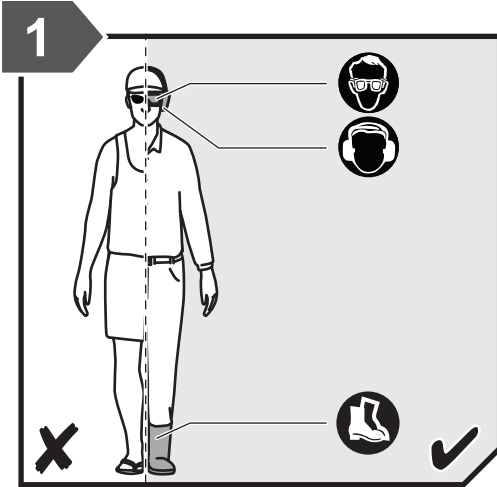


KNOW YOUR PRODUCT

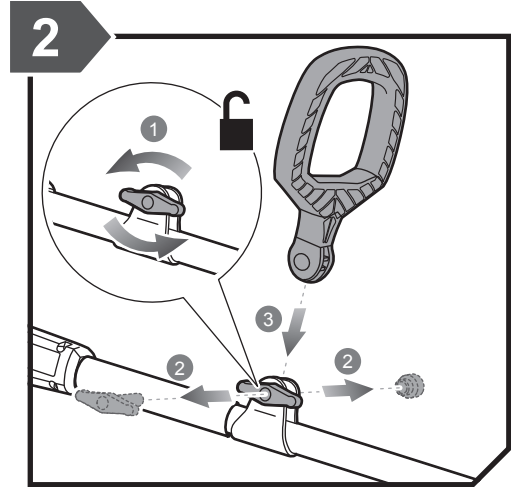
1. Lock-out trigger
2. Trigger
3. Charger
4. Battery latch
5. Battery
6. Roller brush assembly
7. Roller brush
8. Attachment release button
9. Telescoping latch
10. Adjustment knob
11. Auxiliary handle



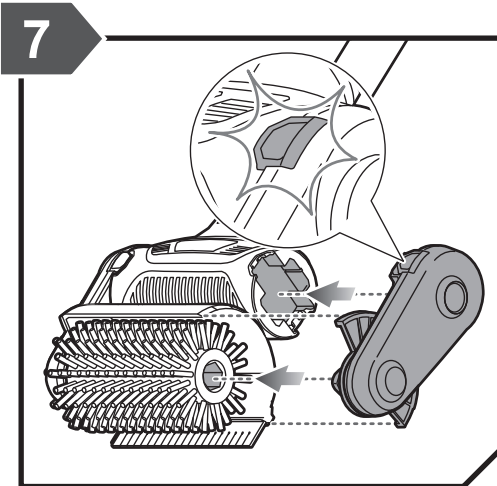
GETTING STARTED



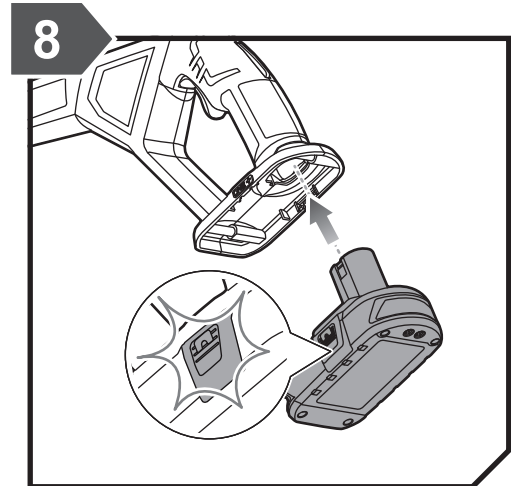
Always wear safety goggles or safety glasses with side shields when operating the product. Failure to do so could result in objects being thrown into your eyes resulting in possible serious injury. When handling the surface cleaner, wear non-slip, heavy-duty protective gloves. Wear non-skid, protective footwear that will protect your feet and improve your footing on slippery surfaces.



Remove the adjustment knob and install the auxiliary handle.

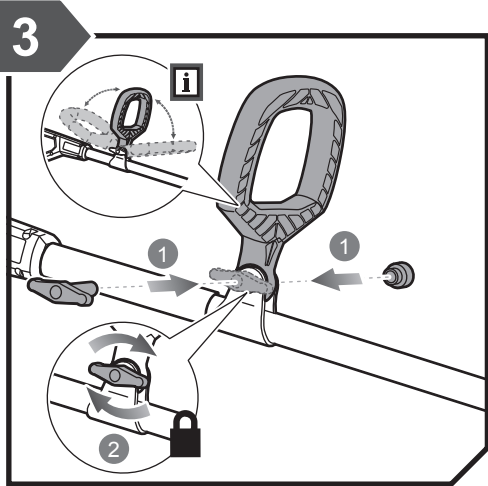


Insert the attachment until the attachment release button clicks into place.



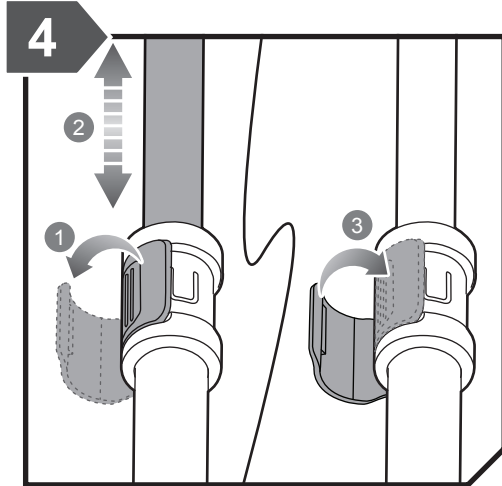
Insert the battery pack until the latches click into place.

GETTING STARTED

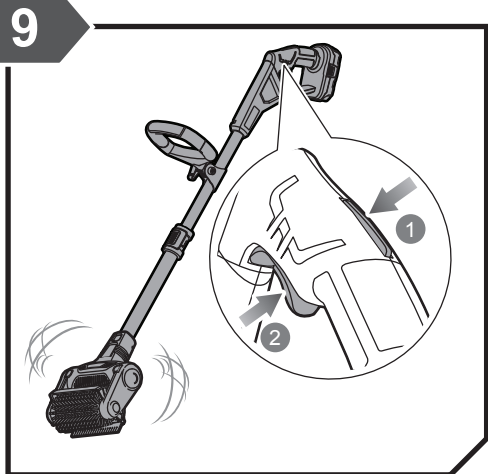


Tighten the adjustment knob and secure the auxiliary handle.

NOTE: The auxiliary handle can be tilted 180°.

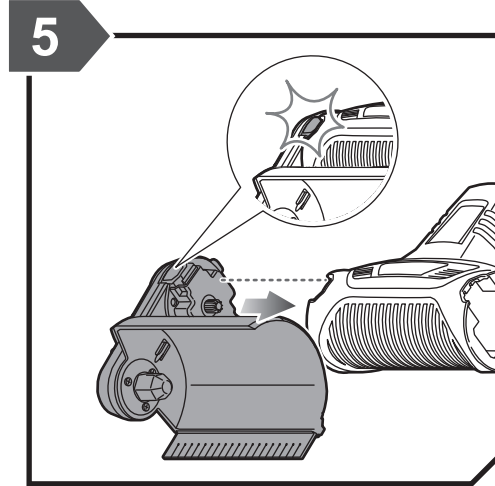


Release the telescoping latch and adjust the shaft. Secure the telescoping latch into place.

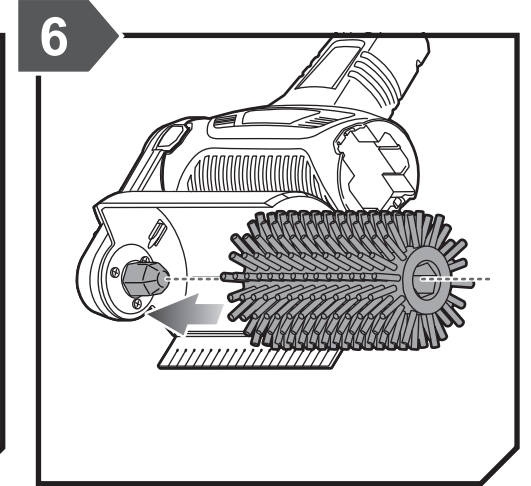


Push the lock-out trigger, and squeeze the trigger to operate the product.

GETTING STARTED



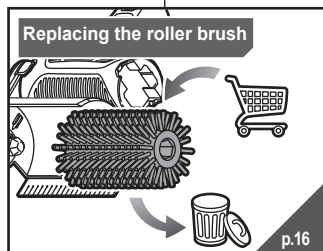
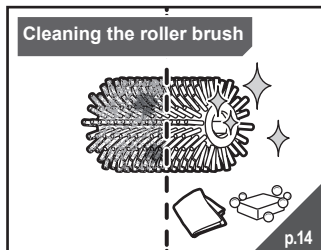
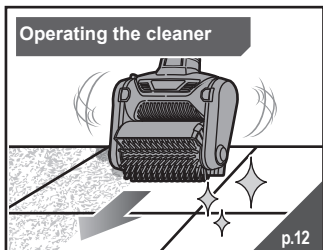
Insert the roller brush attachment until the attachment release button clicks into place.



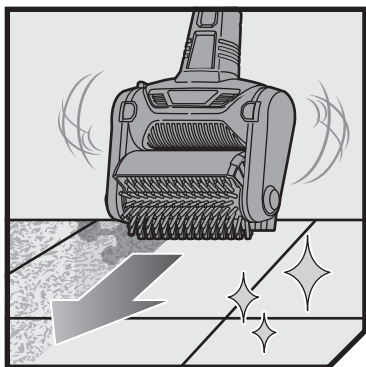
Insert the roller brush.



OVERVIEW



OPERATION

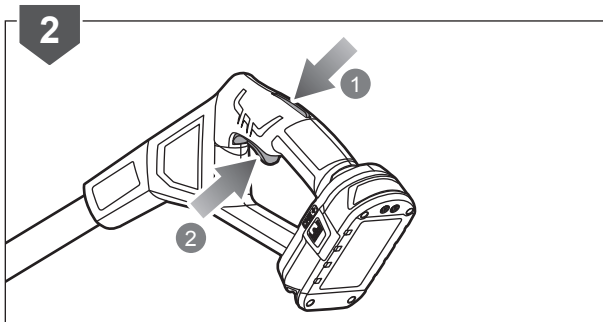
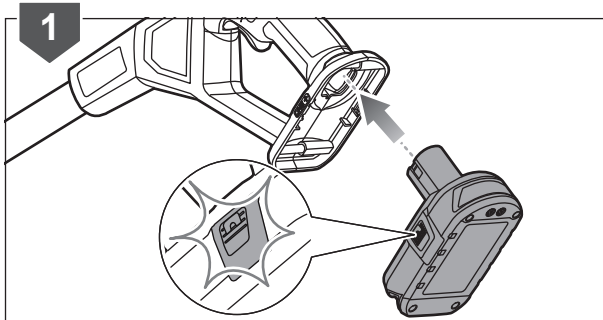
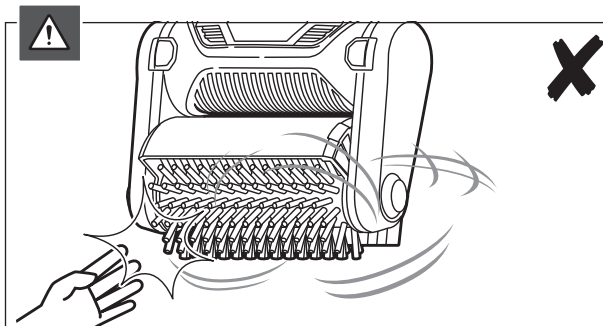
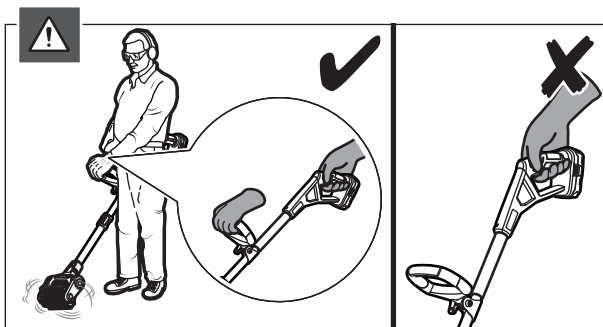


OPERATING THE CLEANER

WARNING: Always use two hands to operate the product. Hold the product with the right hand on the rear handle and the left hand on the front handle.

WARNING: Remove hands and feet from the moving attachment at all times and especially when switching on the motor.

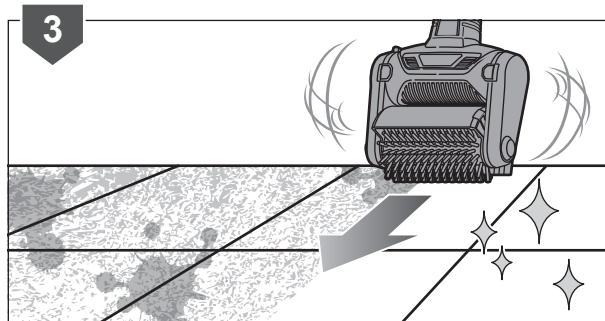
1. Insert the battery pack until the latches click into place.
2. Push the lock-out trigger, and squeeze the trigger to operate the product.

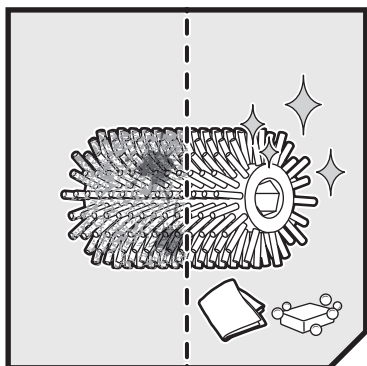


OPERATION

3. Place the product parallel on the surface. Glide the product over the surface until the required result is achieved.

NOTE: Use patio and deck cleaning detergents with the product for better results.

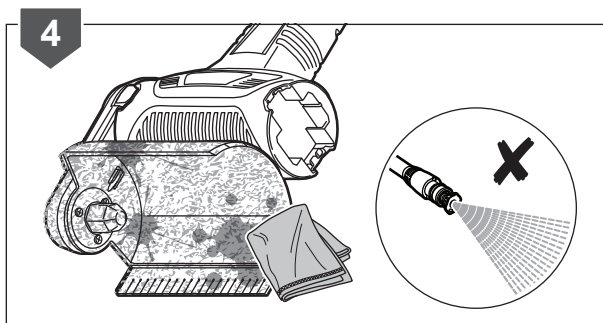
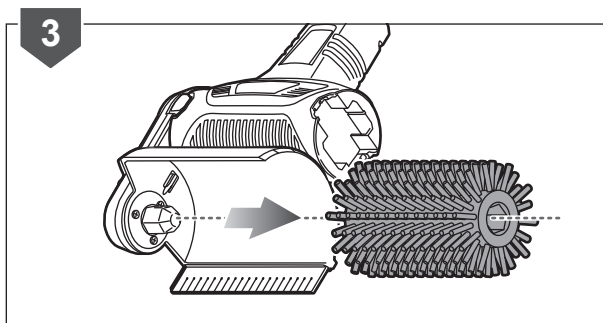
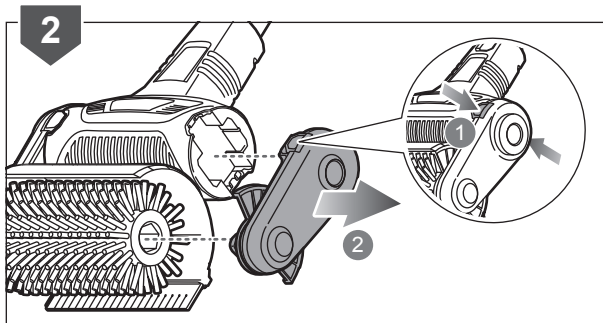
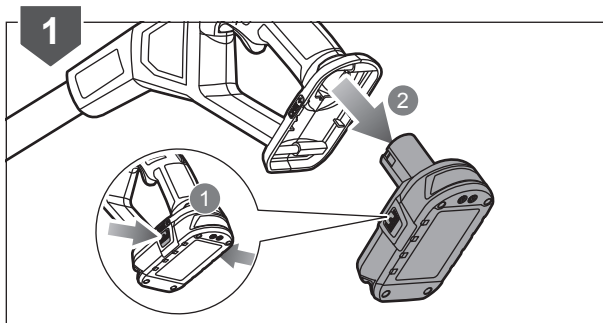




CLEANING THE ROLLER BRUSH

1. Remove the battery pack.
2. Press the attachment release button, and remove the roller brush attachment.
3. Remove the roller brush.
4. Clean the roller brush attachment with a soft, dry cloth.

NOTE: Keep the roller brush attachment away from corrosive agents, such as garden chemicals and de-icing salts.

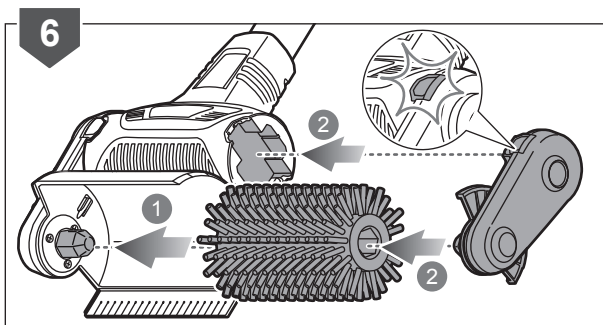
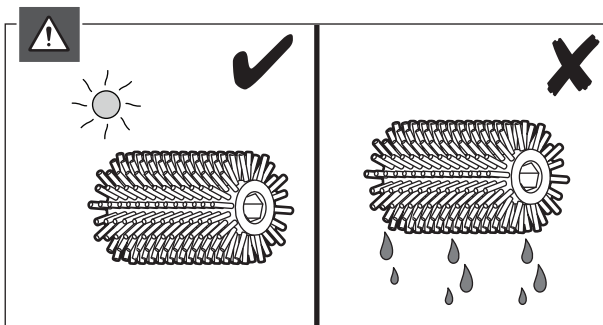
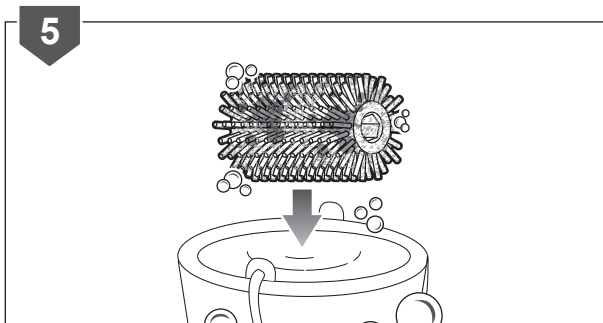


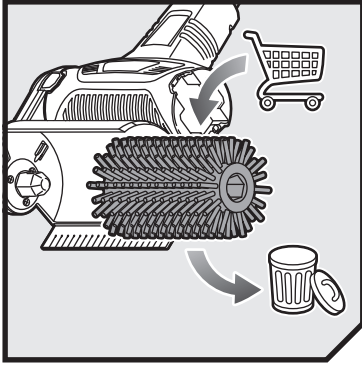
MAINTENANCE

5. Clean the roller brush with water.

WARNING: Dry the roller brush thoroughly before use.

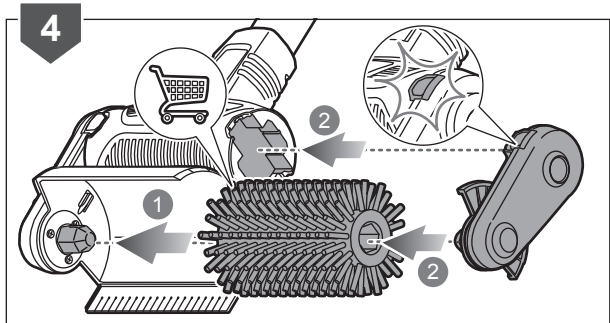
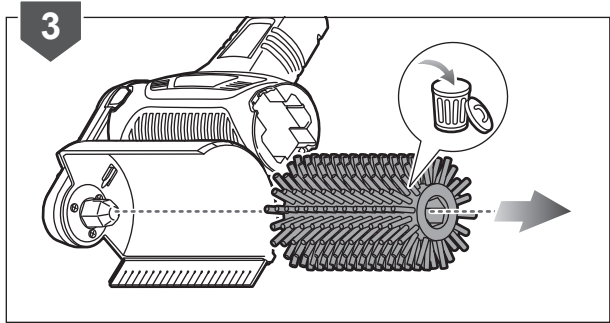
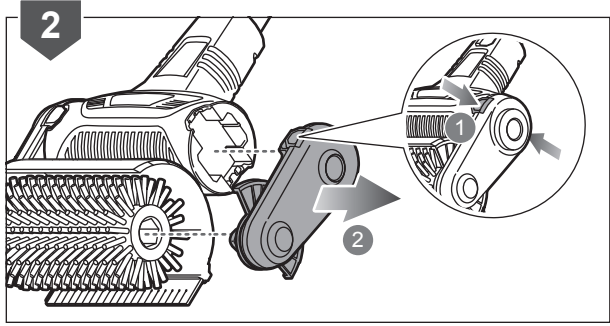
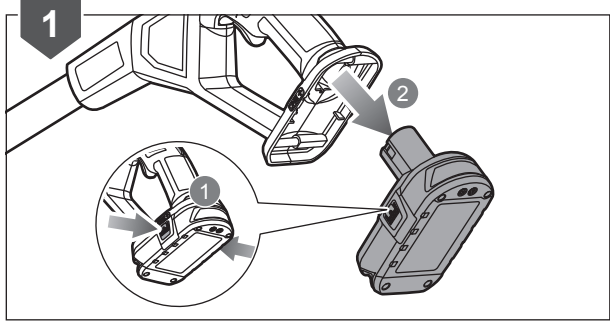
6. Insert the roller brush. Insert the attachment until the attachment release button clicks into place.



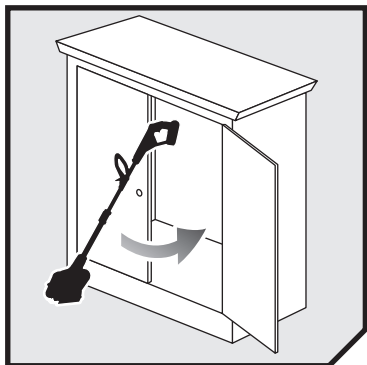


REPLACING THE ROLLER BRUSH

1. Remove the battery pack.
2. Press the attachment release button, and remove the attachment.
3. Remove the roller brush.
4. Insert the new roller brush. Insert the attachment until the attachment release button clicks into place.

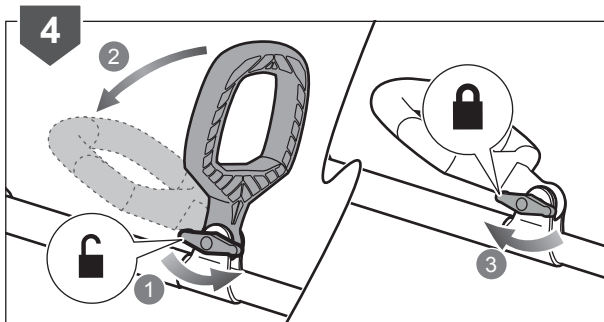
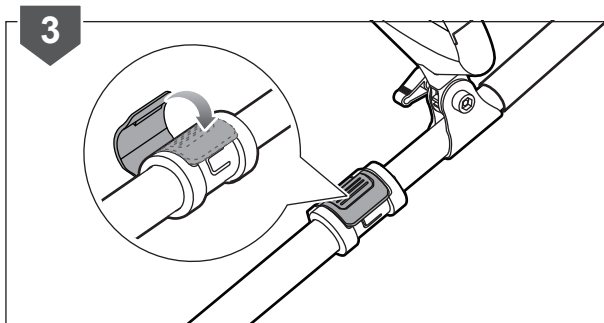
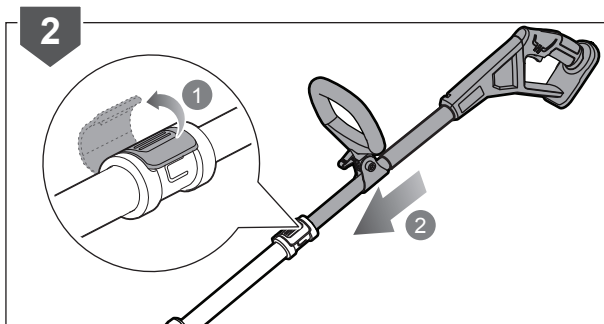
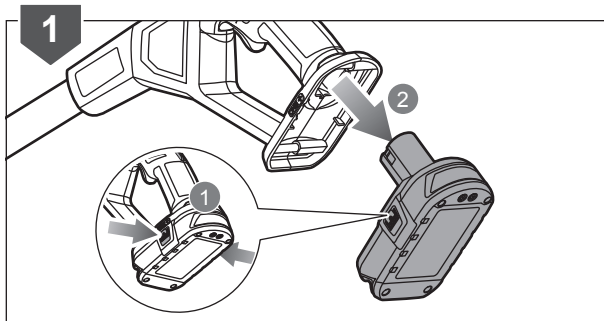


STORAGE



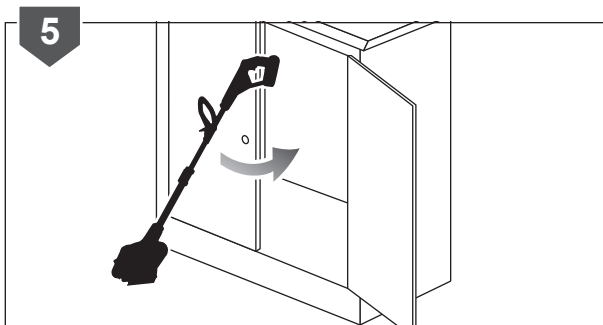
STORING THE CLEANER

1. Remove the battery pack.
2. Release the telescoping latch, and slide the upper shaft downward.
3. Secure the telescoping latch.
4. Loosen the knob, and tilt the handle toward the shaft. Tighten the knob to secure.



STORAGE

5. Store the product in a cool, dry, and well-ventilated place that is inaccessible to children and away from sources of ignition.



PRODUCT SPECIFICATIONS

Cordless Surface Cleaner

Model RSC1840/OSC1800

Voltage 18 V d.c.

Speed (with roller brush attachment) $940 \pm 10\% \text{ min}^{-1}$

Roller brush

Length 162 mm

Diameter 102 mm

Weight

Without battery pack (with roller brush attachment) 3.5 kg

With roller brush attachment and 2.0 Ah battery pack 4.0 kg

With heaviest pack and accessory 4.7 kg

Vibration level (in accordance with EN 786:1996+A2:2009 Annex D)

Total value $a_h = 1.2 \text{ m/s}^2$

Uncertainty $K = 1.5 \text{ m/s}^2$

Noise emission level (in accordance with EN 786:1996+A2:2009 Annex E)

A-weighted sound pressure level at the operator's position $L_{pA} = 73 \text{ dB(A)}$

Uncertainty of measurement $K = 3 \text{ dB(A)}$

A-weighted sound power level $L_{WA} = 89 \text{ dB(A)}$

Uncertainty of measurement $K = 3 \text{ dB(A)}$

BATTERY AND CHARGER

Model RSC1840 OSC1800

Battery pack RB18L40A -

Weight 0.75 kg -

Charger RC18115 -

Compatible battery packs RB18L13, RB18L15, RB18L20, RB18L25, RB18L40, RB18L50, RB18L60A, RB18L90A

Compatible chargers BCS618G, BCL14181H, BCL14183H, BCL1418IV, RC18150U, RC18627U, RC18120, RC18115

REPLACEMENT PARTS

Roller brush assembly RAC815

Roller brush RAC816

VIBRATION LEVEL

The declared vibration value has been measured with a standard test method and may be used to compare one tool with another.

The declared vibration value may be used in a preliminary assessment of exposure.

The vibration emission during actual use of power tool can differ from the declared total value depending on the ways in which the tool is used.

Identify safety measures to protect yourself based on an estimation of exposure in the actual conditions of use, taking account of all parts of the operating cycle such as the times when the tool is switched off and when it is running idle in addition to the trigger time.







*RYOBI is a trademark of Ryobi Limited,
and is used under license.*

Imported by:

Techtronic Industries Australia Pty Ltd
31 Gilby Road, Mount Waverley, VIC 3149,
Melbourne, Australia

Techtronic Industries N.Z. Limited
Unit C, 70 Business Parade South,
Highbrook, Auckland 2013, New Zealand

961480065-01