



R36XEDG10



IMPORTANT!

It is essential that you read the instructions in this manual before assembling, operating, and maintaining the product.
Subject to technical modifications.

Safety, performance, and dependability have been given top priority in the design of your cordless edger.

INTENDED USE

The cordless edger is intended to be used only by adults who have read and understood the instructions and warnings in this manual and can be considered responsible for their actions.

The product is intended only for outdoor use in a well-ventilated area. For safety reasons, the product must be adequately controlled by a two-handed operation. The product is designed for home or domestic use.

The product is intended for edging along sidewalks, driveways, flower beds, and similar areas.

The product should not be used for cutting or chopping hedges, shrubs, bushes, flowers, and compost.

Do not use the product for any other purpose.

GENERAL PRODUCT SAFETY WARNINGS

⚠ WARNING! Read all safety warnings, instructions, illustrations and specifications provided with this power tool. Failure to follow all instructions listed below may result in electric shock, fire and/or serious injury.

Save all warnings and instructions for future reference.

The term "power tool" in the warnings refers to your mains-operated (corded) product or battery-operated (cordless) product.

WORK AREA SAFETY

- **Keep work area clean and well lit.** Cluttered or dark areas invite accidents.
- **Do not operate power tools in explosive atmospheres, such as in the presence of flammable liquids, gases or dust.** Power tools create sparks which may ignite the dust or fumes.
- **Keep children and bystanders away while operating a power tool.** Distractions can cause you to lose control.

ELECTRICAL SAFETY

- **Power tool plugs must match the outlet. Never modify the plug in any way. Do not use any adapter plugs with earthed (grounded) power tools.** Unmodified plugs and matching outlets will reduce risk of electric shock.
- **Avoid body contact with earthed or grounded surfaces, such as pipes, radiators, ranges and refrigerators.** There is an increased risk of electric shock if your body is earthed or grounded.
- **Do not expose power tools to rain or wet conditions.** Water entering a power tool will increase the risk of electric shock.
- **Do not abuse the cord. Never use the cord for carrying, pulling or unplugging the power tool. Keep cord away from heat, oil, sharp edges or moving**

parts. Damaged or entangled cords increase the risk of electric shock.

- **When operating a power tool outdoors, use an extension cord suitable for outdoor use.** Use of a cord suitable for outdoor use reduces the risk of electric shock.
- **If operating a power tool in a damp location is unavoidable, use a residual current device (RCD) protected supply.** Use of an RCD reduces the risk of electric shock.

PERSONAL SAFETY

- **Stay alert, watch what you are doing and use common sense when operating a power tool. Do not use a power tool while you are tired or under the influence of drugs, alcohol or medication.** A moment of inattention while operating power tools may result in serious personal injury.
- **Use personal protective equipment. Always wear eye protection.** Protective equipment such as dust mask, non-skid safety shoes, hard hat or hearing protection used for appropriate conditions will reduce personal injuries.
- **Prevent unintentional starting. Ensure the switch is in the off-position before connecting to power source and/or battery pack, picking up or carrying the tool.** Carrying power tools with your finger on the switch or energising power tools that have the switch on invites accidents.
- **Remove any adjusting key or wrench before turning the power tool on.** A wrench or a key left attached to a rotating part of the power tool may result in personal injury.
- **Do not overreach. Keep proper footing and balance at all times.** This enables better control of the power tool in unexpected situations.
- **Dress properly. Do not wear loose clothing or jewellery. Keep your hair and clothing away from moving parts.** Loose clothes, jewellery or long hair can be caught in moving parts.
- **If devices are provided for the connection of dust extraction and collection facilities, ensure these are connected and properly used.** Use of dust collection can reduce dust-related hazards.
- **Do not let familiarity gained from frequent use of tools allow you to become complacent and ignore tool safety principles.** A careless action can cause severe injury within a fraction of a second.

POWER TOOL USE AND CARE

- **Do not force the power tool. Use the correct power tool for your application.** The correct power tool will do the job better and safer at the rate for which it was designed.
- **Do not use the power tool if the switch does not turn it on and off.** Any power tool that cannot be controlled with the switch is dangerous and must be repaired.
- **Disconnect the plug from the power source and/or remove the battery pack, if detachable, from the power tool before making any adjustments, changing accessories, or storing power tools.** Such preventive safety measures reduce the risk of starting the power tool accidentally.

- **Store idle power tools out of the reach of children and do not allow persons unfamiliar with the power tool or these instructions to operate the power tool.** Power tools are dangerous in the hands of untrained users.
- **Maintain power tools and accessories. Check for misalignment or binding of moving parts, breakage of parts and any other condition that may affect the power tool's operation. If damaged, have the power tool repaired before use.** Many accidents are caused by poorly maintained power tools.
- **Keep cutting tools sharp and clean.** Properly maintained cutting tools with sharp cutting edges are less likely to bind and are easier to control.
- **Use the power tool, accessories and tool bits etc. in accordance with these instructions, taking into account the working conditions and the work to be performed.** Use of the power tool for operations different from those intended could result in a hazardous situation.
- **Keep handles and grasping surfaces dry, clean and free from oil and grease.** Slippery handles and grasping surfaces do not allow for safe handling and control of the tool in unexpected situations.

BATTERY TOOL USE AND CARE

- **Recharge only with the charger specified by the manufacturer.** A charger that is suitable for one type of battery pack may create a risk of fire when used with another battery pack.
- **Use power tools only with specifically designated battery packs.** Use of any other battery packs may create a risk of injury and fire.
- **When battery pack is not in use, keep it away from other metal objects, like paper clips, coins, keys, nails, screws or other small metal objects, that can make a connection from one terminal to another.** Shorting the battery terminals together may cause burns or a fire.
- **Under abusive conditions, liquid may be ejected from the battery; avoid contact. If contact accidentally occurs, flush with water. If liquid contacts eyes, additionally seek medical help.** Liquid ejected from the battery may cause irritation or burns.
- **Do not use a battery pack or tool that is damaged or modified.** Damaged or modified batteries may exhibit unpredictable behaviour resulting in fire, explosion or risk of injury.
- **Do not expose a battery pack or tool to fire or excessive temperature.** Exposure to fire or temperature above 130°C may cause explosion.
- **Follow all charging instructions and do not charge the battery pack or tool outside the temperature range specified in the instructions.** Charging improperly or at temperatures outside the specified range may damage the battery and increase the risk of fire.

SERVICE

- **Have your power tool serviced by a qualified repair person using only identical replacement parts.** This will ensure that the safety of the power tool is maintained.
- **Never service damaged battery packs.** Service of battery packs should only be performed by the manufacturer or authorized service providers.

CORDLESS EDGER SAFETY WARNINGS

- When using the product, the safety rules must be followed. For your safety and that of bystanders, read these instructions before operating the product. Keep the instructions safe for later use. Be familiar with the controls and the proper use of the product.
- The product is not intended to be used by children or persons with reduced physical, mental, or sensory capabilities. Children should be adequately supervised to ensure that they do not play with the product.
- Never allow children or people who are unfamiliar with these instructions to use the product. Local regulations may restrict the age of the operator.
- Never use the product while people, especially children, or pets are nearby.
- Keep bystanders, children, and pets 15 m away from the area of operation. Turn off the product if anyone enters the area.
- Keep in mind that the operator or user is responsible for accidents or hazards occurring to other people or their property.
- Wear heavy, long trousers, boots, and gloves. Do not wear loose-fitting clothing, short trousers, or jewellery of any kind. Do not use the product with bare feet. Always wear eye and ear protection.
- Consider the environment in which you are working. Keep the working area free from wires, sticks, stones, and debris, which if struck by the cutter can become thrown objects.
- Before use, always visually inspect the product to see that the blades, blade bolts, and cutter assembly are not worn or damaged. Replace worn or damaged blades and bolts in sets to preserve balance.
- Use only manufacturer-recommended replacement parts and accessories.
- Use the product in daylight or with good artificial light.
- Keep firm footing and balance at all times, and be sure of proper footing on slopes. Walk, never run.
- Use extreme caution when reversing or pulling the edger toward you.
- Make sure that the blade has stopped before crossing surfaces other than grass and when transporting the product to and from the area to be edged.
- Never operate the product with defective, missing, or incorrectly fitted guards.
- Turn on the product carefully according to instructions and with feet well away from the blades. Never stand or have any part of your body in line with the path of the edger blade.
- Do not start the product when a bystander is standing in front of the blades.
- Do not put hands or feet near or under rotating parts.
- To reduce the risk of injury associated with contacting moving parts, always turn off the product, remove the battery pack, and allow both to cool down. Make sure that all moving parts have come to a complete stop:
 - before servicing
 - before clearing a blockage
 - before checking, cleaning, and working on the product



- before changing accessories
- after striking a foreign object
 - Inspect the blades for damage, and make repairs before restarting and operating the product.
- whenever leaving the product unattended
- whenever performing maintenance
- whenever the product starts to vibrate abnormally
 - Check the product immediately.
- Injuries may be caused, or aggravated, by prolonged use of a tool. When using any tool for prolonged periods, ensure that you take regular breaks.
- Operate the product only in temperatures between 0°C and 40°C.
- Store the product in a location where the ambient temperature is between 0°C and 40°C.

ADDITIONAL SAFETY WARNINGS

- Some regions have regulations that restrict the use of the product. Check with your local authority for advice.
- Avoid using the product in bad weather especially if there is a risk of lightning.
- Avoid using the product on wet grass.
- The use of hearing protection may restrict the operator's ability to hear warning sounds. Pay particular attention to potential hazards around and inside the working area.

ADDITIONAL BATTERY SAFETY WARNINGS

- To reduce the risk of fire, personal injury, and product damage due to a short circuit, never immerse the product, battery pack, or charger in fluid or allow fluid to flow inside them. Corrosive or conductive fluids, such as seawater, certain industrial chemicals, and bleach or bleach-containing products, etc., can cause a short circuit.
- Charge the battery pack in a location where the ambient temperature is between 10°C and 38°C.
- Store the battery pack in a location where the ambient temperature is between 0°C and 40°C.
- Use the battery pack in a location where the ambient temperature is between 0°C and 40°C.

OVERLOAD PROTECTION

RYOBI 36 V lithium-ion batteries are designed with features that protect the lithium-ion cells and maximise battery life. If the product stops during use, the following may be the causes:

- The maximum current draw of the battery pack has been exceeded, causing it to automatically stop powering the product. Release the trigger to reset the product, and pull the trigger to resume operation.
- Excessive temperatures cause the battery pack to stop powering the product. If the battery pack is too warm, allow it to cool down.

TRANSPORTATION AND STORAGE

- Turn off the product, remove the battery pack, and allow both to cool down before storing or transporting.
- Remove all foreign materials from the product.
- Check all nuts, bolts, and screws before each use and at frequent intervals for proper tightness to ensure that

the product is in safe working condition. Any part that is damaged should be properly repaired or replaced by an authorised service centre.

- Do not store or transport the product with the battery pack installed. Remove the battery pack, and secure it separately. Store the product in a cool, dry, and well-ventilated place that is inaccessible to children. Keep the product away from corrosive agents, such as garden chemicals and de-icing salts. Do not store the product outdoors.
- For transportation in vehicles, secure the product against movement or falling to prevent injury to persons or damage to the product.

TRANSPORTING LITHIUM BATTERIES

- Transport the battery pack in accordance with local and national provisions and regulations.
- Follow all special requirements on packaging and labelling when transporting batteries by a third party. Ensure that no batteries can come in contact with other batteries or conductive materials while in transport by protecting exposed connectors with insulating, non-conductive caps or tape. Do not transport batteries that are cracked or leaking. Check with the forwarding company for further advice.

MAINTENANCE

- Use only original manufacturer's replacement parts, accessories, and attachments. Failure to do so can cause possible injury, can contribute to poor performance, and may void your warranty.
- Servicing requires extreme care and knowledge and should be performed only by a qualified service technician. Have the product serviced by an authorised service centre only. When servicing, use only original replacement parts.
- Turn off the product and remove the battery pack before conducting any maintenance or cleaning work.
- You may make adjustments and repairs described in this manual. For other repairs, contact an authorised service centre.
- After each use, clean the product with a soft, dry cloth. Any part that is damaged should be properly repaired or replaced by an authorised service centre.
- Check all nuts, bolts, and screws before each use and at frequent intervals for proper tightness to ensure that the product is in safe working condition. Any part that is damaged should be properly repaired or replaced by an authorised service centre.
- Bring the product to an authorised service centre to replace damaged or unreadable labels.

SYMBOLS ON THE PRODUCT



Safety alert



Read and understand all instructions before operating the product. Follow all warnings and safety instructions.





Wear ear protection.



Wear eye protection.



Beware of thrown or flying objects. Keep all bystanders at least 15 m away.



Keep feet away from the rotating blade.



Beware of thrown objects.



Direction of blade rotation.



Do not expose the product to rain or damp conditions.



Guaranteed sound power level



Regulatory Compliance Mark (RCM). The product meets applicable regulatory requirements.



Waste electrical products should not be disposed of with household waste. Please recycle where facilities exist. Check with your local authority or retailer for recycling advice.

SYMBOLS IN THIS MANUAL



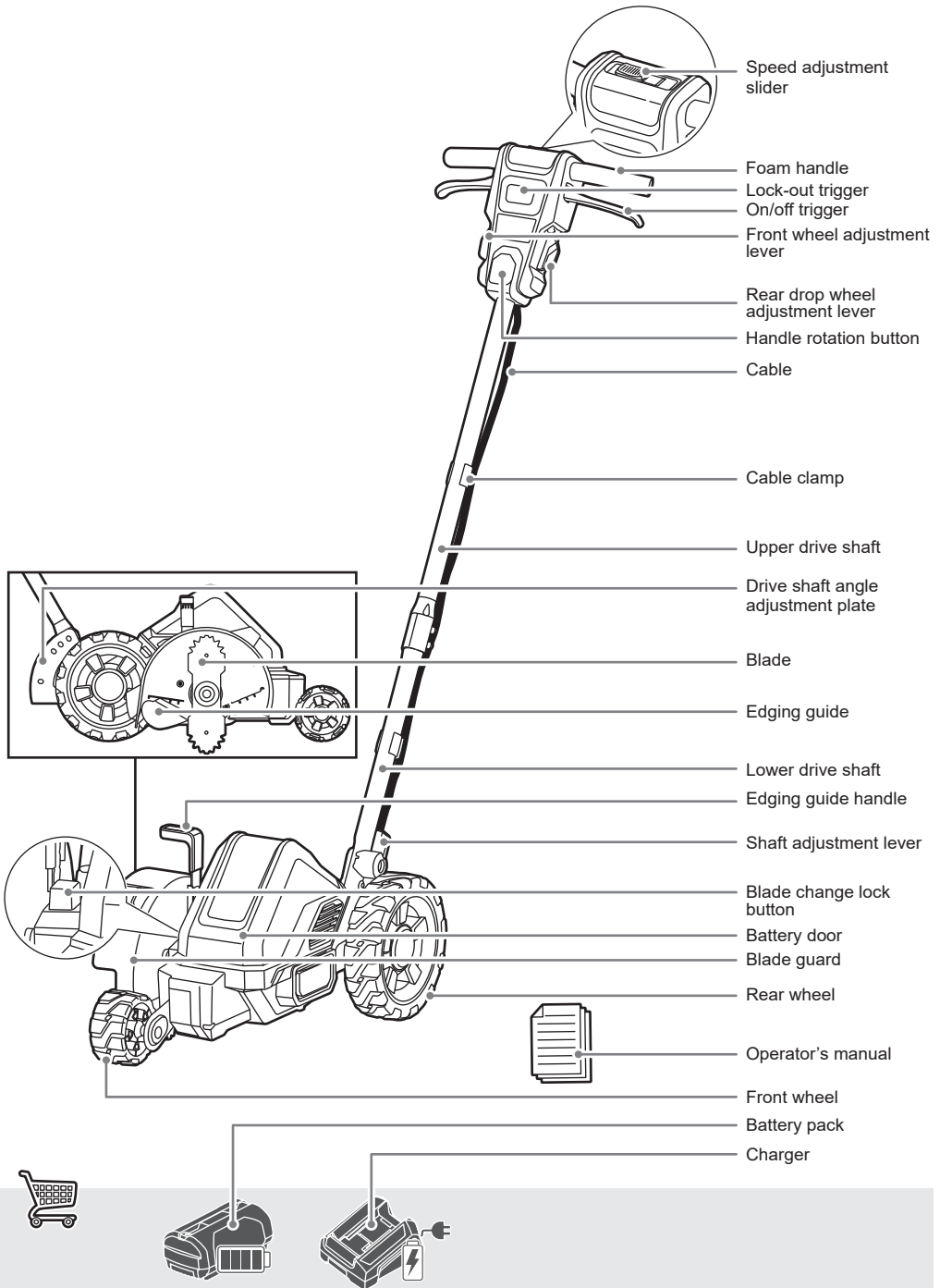
Parts or accessories sold separately

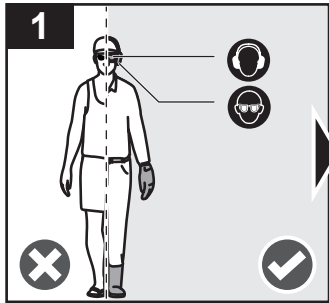


Note

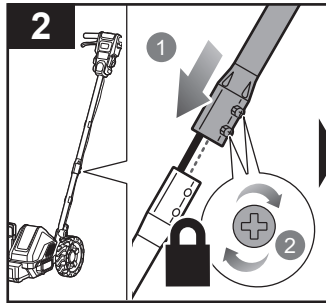


Warning

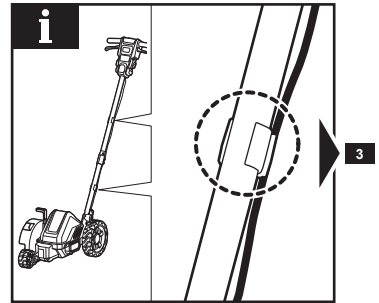




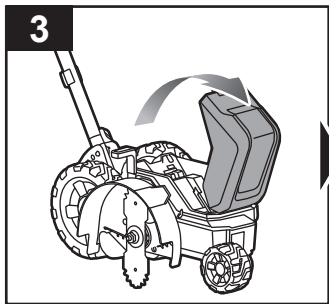
Always wear safety goggles or safety glasses with side shields when operating the product. Wear non-slip, heavy-duty protective gloves. Wear non-skid, protective footwear that will protect your feet and improve your footing on slippery surfaces.



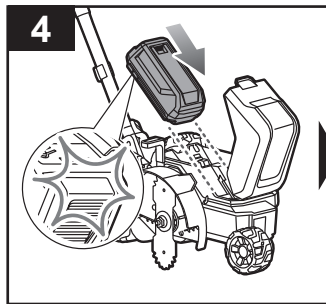
Attach the upper drive shaft to the lower drive shaft by tightening the two screws counterclockwise.



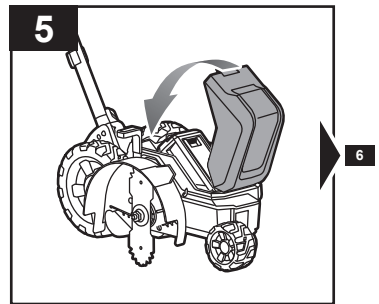
NOTE: Secure the cable in place using the cable clamp.



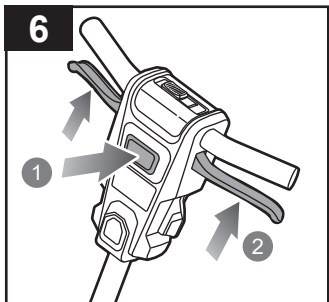
Open the battery door.



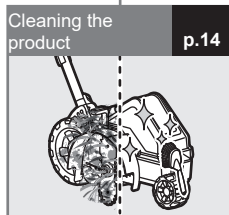
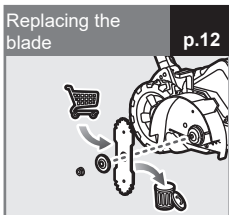
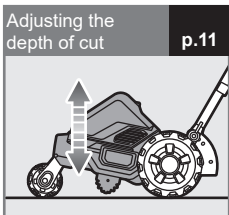
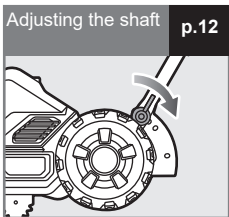
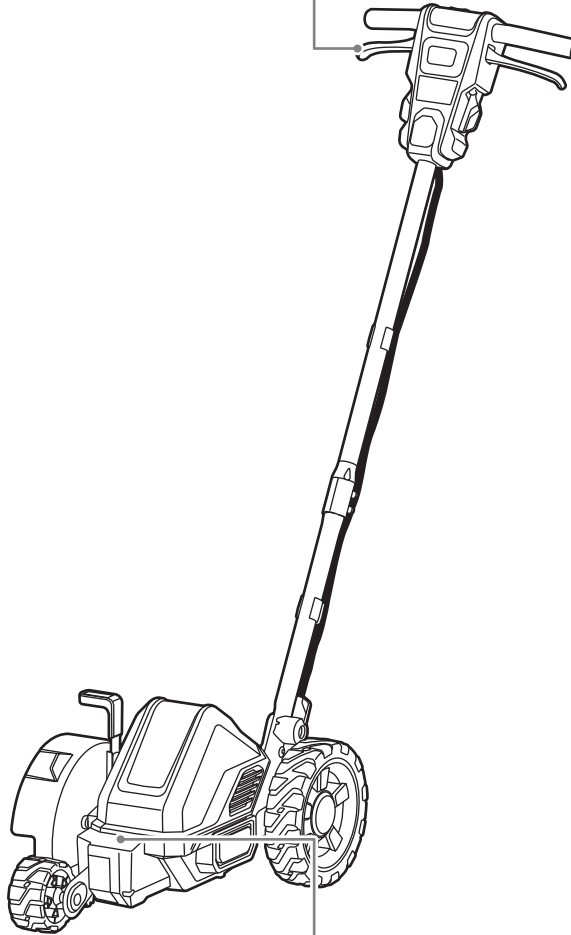
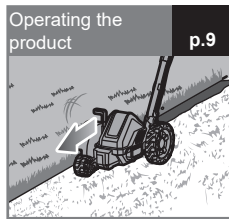
Insert the battery pack until the latch clicks into place.

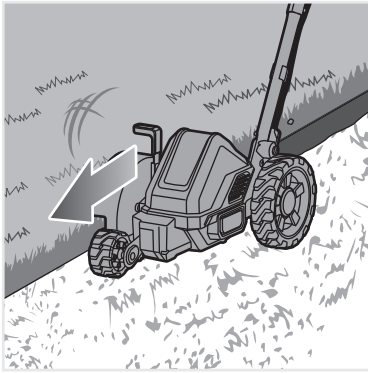


Close the battery door.



Push the lock-out trigger and squeeze the on/off trigger to turn on the product.





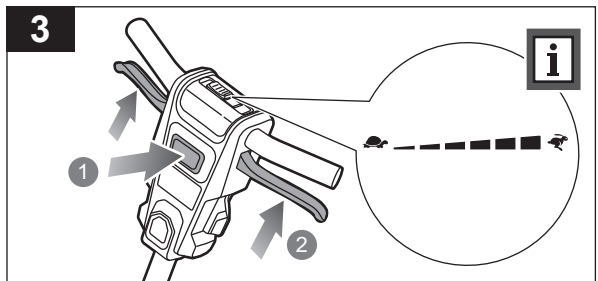
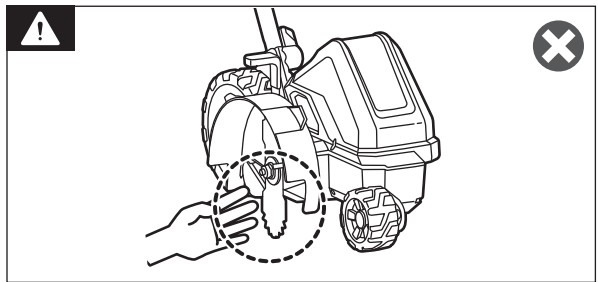
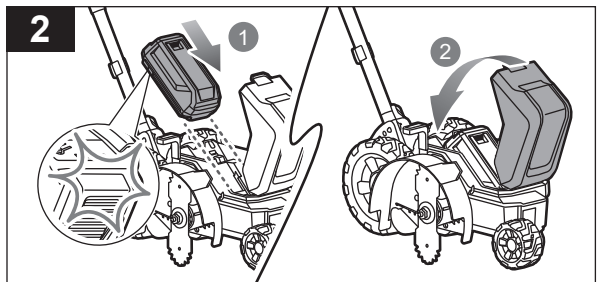
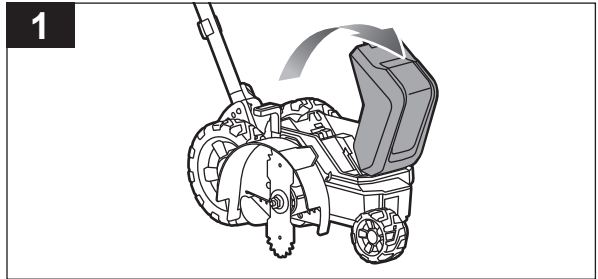
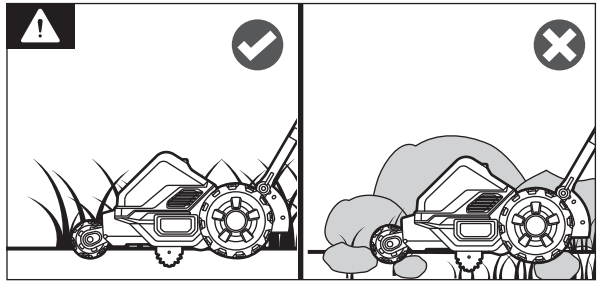
OPERATING THE PRODUCT

WARNING: Keep the working area free from wires, sticks, stones, and debris, which if struck by the blade can become thrown objects. Best appearance is obtained when the grass is dry. Avoid using the edger in wet soil or wet grass areas. The blade guard might clog and result in an uneven edge. If the blade guard becomes clogged, turn off the product, remove the battery pack, and remove debris from the blade guard.

1. Open the battery door.
2. Insert the battery pack until the latch clicks into place. Close the battery door.

WARNING: Keep hands and feet away from the blade at all times.

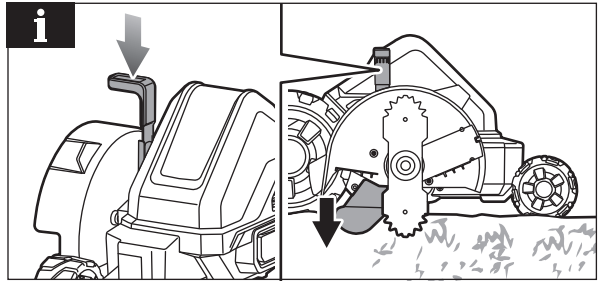
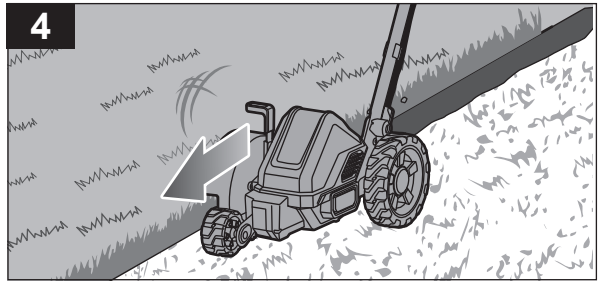
3. Push the lock-out trigger and squeeze the on/off trigger to turn on the product.

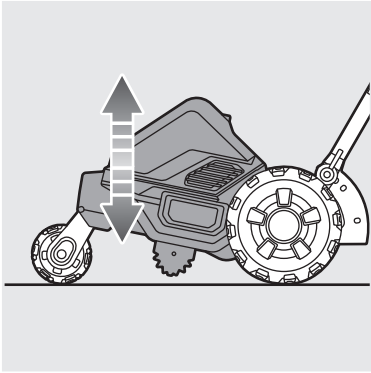


4. Use the edger along sidewalks, driveways, flower beds, curbs, and similar areas.

NOTE: Cut at a steady pace. If the blade begins to bog down, you are edging too fast; slow your pace. Do not force the blade into the ground.

NOTE: Push the edging guide handle to lower the edging guide.



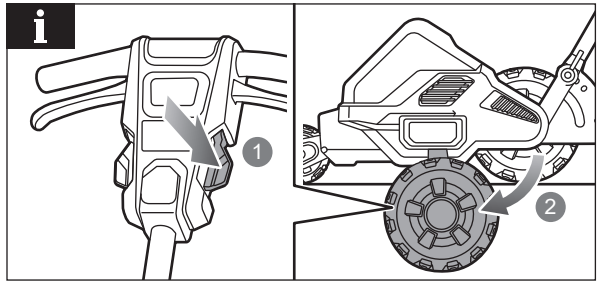
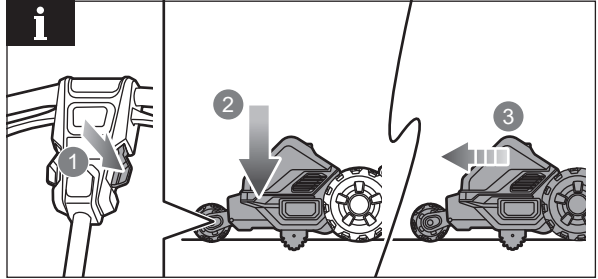
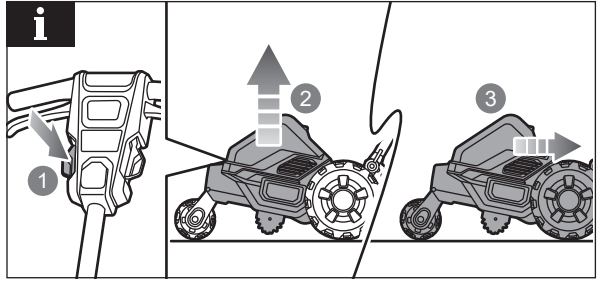


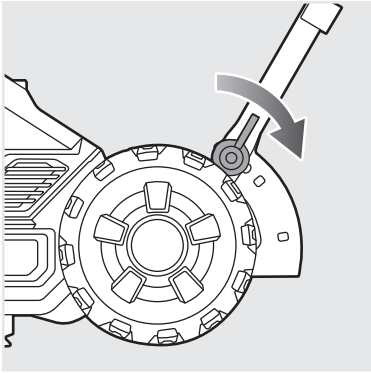
ADJUSTING THE DEPTH OF CUT

NOTE: To raise the blade and decrease the cutting depth, push the front wheel adjustment lever, tilt the product backwards, and allow the front wheel to drop.

NOTE: To lower the blade and increase the cutting depth, push the rear drop wheel adjustment lever and tilt the product forwards.

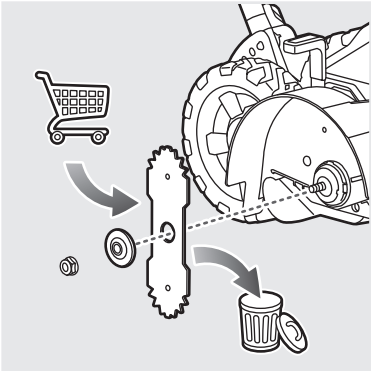
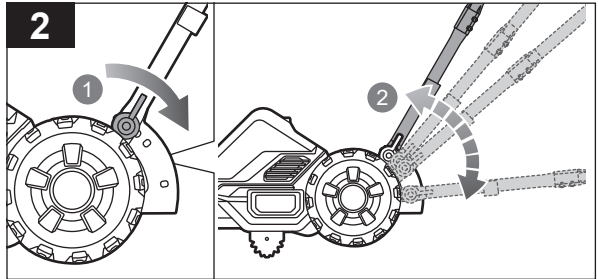
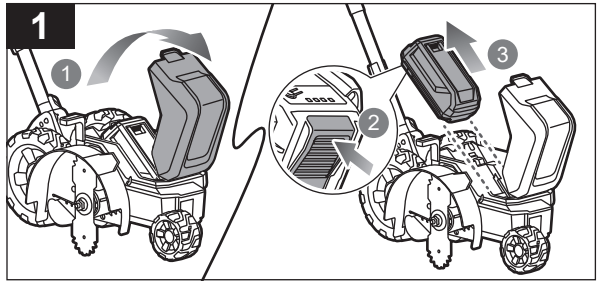
NOTE: To use the product along gutters, push the rear drop wheel adjustment lever and allow the rear drop wheel to drop according to the height of the gutter.





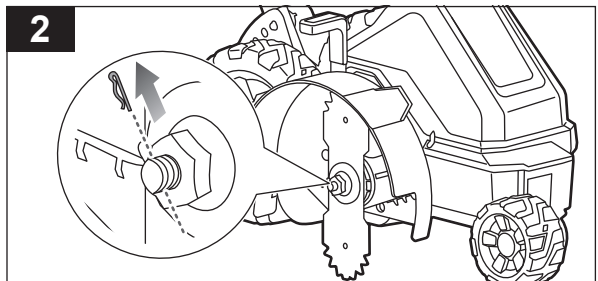
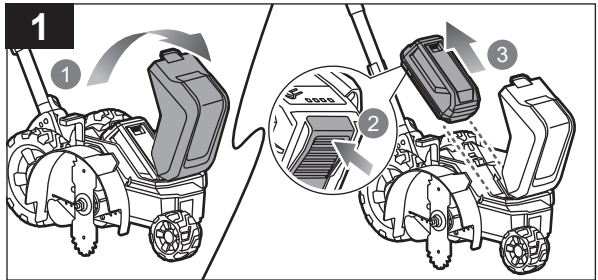
ADJUSTING THE SHAFT

1. Remove the battery pack.
2. Push the shaft adjustment lever to adjust the shaft to the preferred angle.

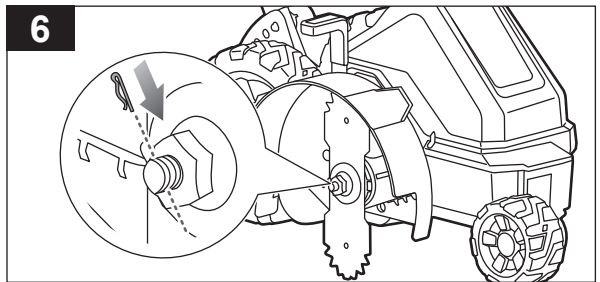
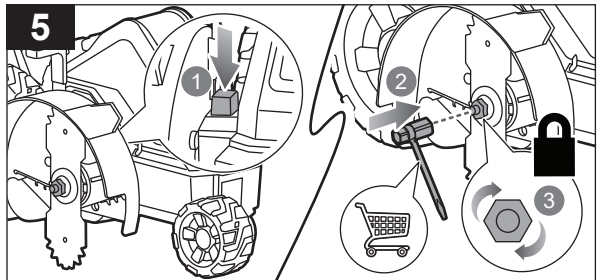
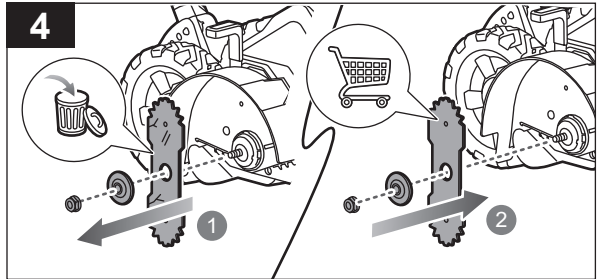
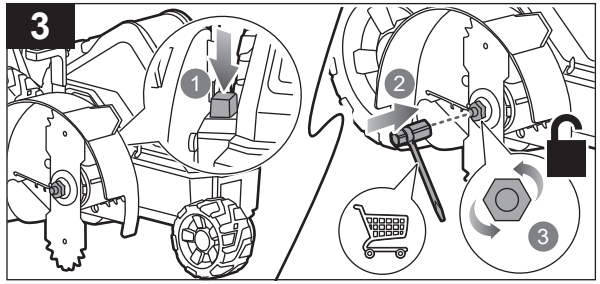


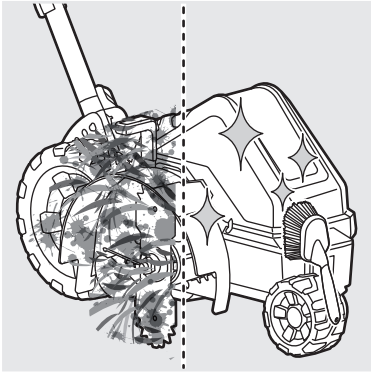
REPLACING THE BLADE

1. Remove the battery pack.
2. Remove the lock pin.



3. Push the blade change lock button to lock the blade assembly. Loosen the flange nut using a wrench.
4. Remove the flange nut, outer flange, and blade from the motor shaft. Align and install the new blade on the inner flange, making sure that the blade sits flat. Install the outer flange and flange nut.
5. Push the blade change lock button to lock the blade assembly. Tighten the flange nut into place using a wrench.
6. Insert the locking pin through both slots to lock the inner flange and motor ring.

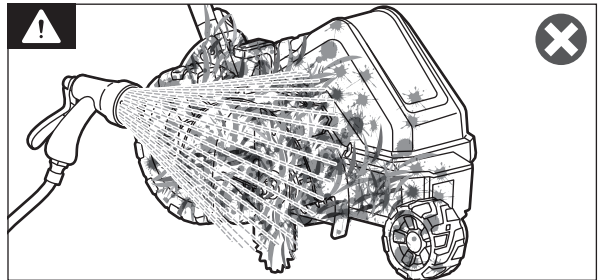
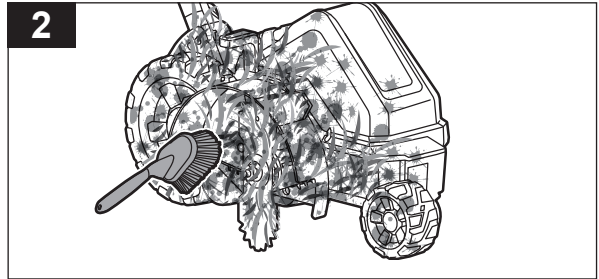
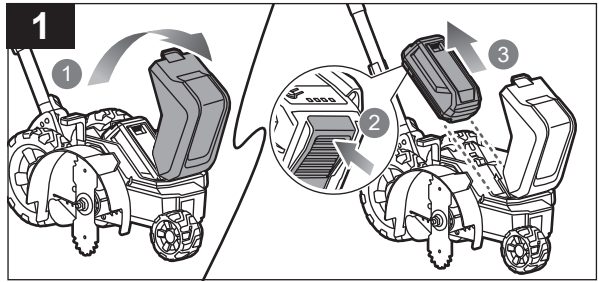




CLEANING THE PRODUCT

1. Remove the battery pack.
2. Remove all foreign materials from the product with a soft, dry brush.

WARNING: Avoid using solvents when cleaning plastic parts. Most plastics are susceptible to damage from various types of commercial solvents and may be damaged by their use.

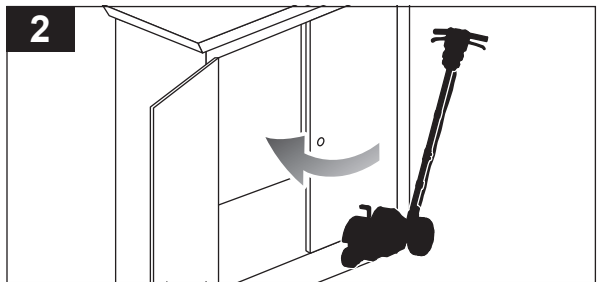
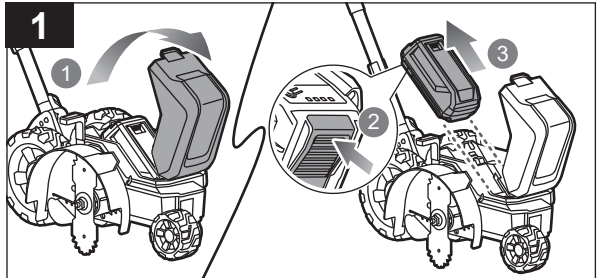
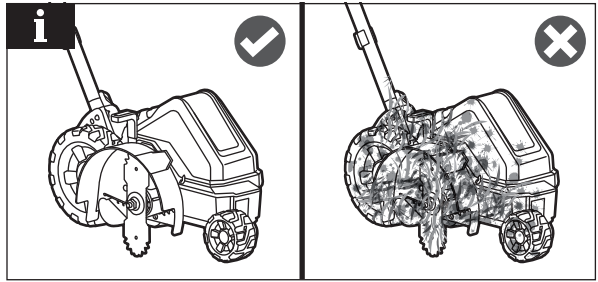




STORING THE PRODUCT

NOTE: Clean the product before storing.

1. Remove the battery pack.
2. Store the product in a cool, dry, and well-ventilated place that is inaccessible to children and away from sources of ignition.



PRODUCT SPECIFICATIONS

Cordless edger

Model	R36XEDG10
Voltage	36 V d.c.
Blade length	220 mm
No-load speed	3, 900 min ⁻¹
Cutting depth	6.3 mm – 40 mm
Weight (without battery pack)	6.7 kg

Noise emission values determined according to EN 62841-1

A-weighted sound pressure level $L_{pA} = 79.5$ dB(A)

A-weighted sound power level $L_{WA} = 98.0$ dB(A)

Uncertainty $K = 3.0$ dB

$L_{WA} + K = 101$ dB(A)

Vibration total values determined according to EN 62841-1

Vibration emission value $a_h = 0.5$ m/s²

Uncertainty $K = 1.5$ m/s²

BATTERY AND CHARGER

Model R36XEDG10

Battery pack –

Charger –

Compatible battery packs
BPL3626D2, BPL3650D2, BPL3640D2,
BPL3620D, BPL3660D, BPL3690D,
BPL3612D, R36BTY2, R36BTY4,
R36BTY42, R36BTY5, R36BTY6,
R36BTY8, R36BTY12

REPLACEMENT PART

Blade RAC1104

⚠ WARNING! The declared vibration total values and the declared noise emission values given in this instruction manual have been measured in accordance with a standardised test and may be used to compare one tool with another. They may be used for a preliminary assessment of exposure.

The declared vibration and noise emission values represent the main applications of the tool. However, if the tool is used for different applications, used with different accessories, or poorly maintained, the vibration and noise emission may differ. These conditions may significantly increase the exposure levels over the total working period.

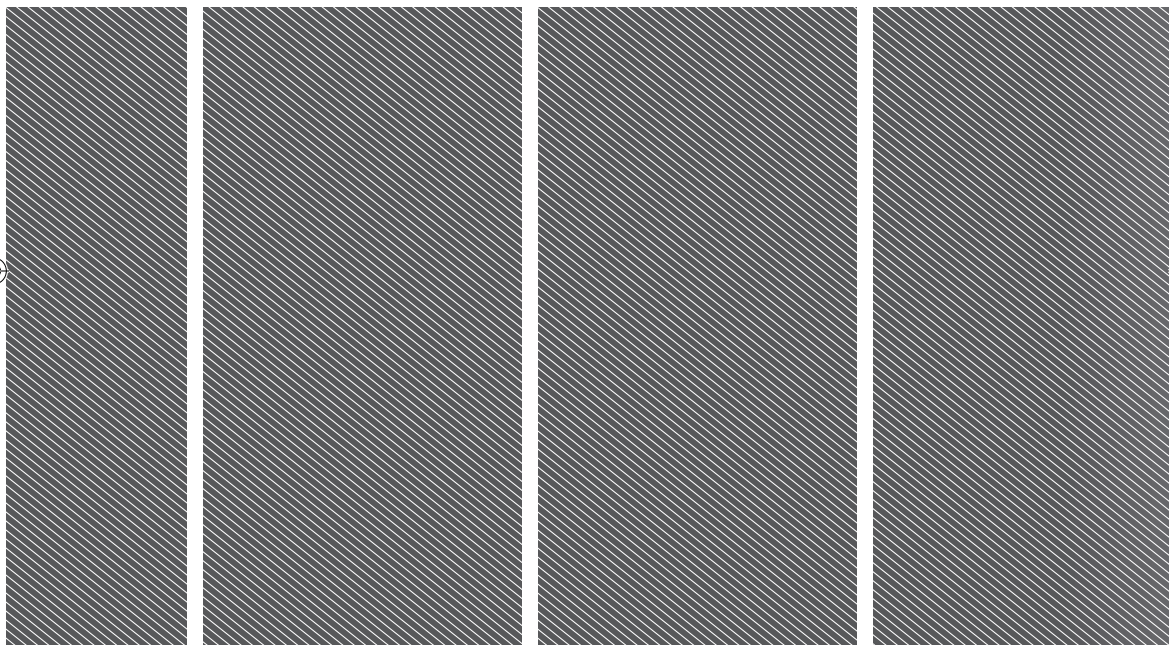
An estimation of the level of exposure to vibration and noise should take into account the times when the tool is turned off or when it is running idle. These conditions may significantly reduce the exposure level over the total working period.

Identify additional safety measures to protect the operator from the effects of vibration and noise, such as maintaining the tool and the accessories, keeping the hands warm (in case of vibration), and organising work patterns.









Imported by:
Techtronic Industries Australia Pty Ltd
31 Gilby Road, Mount Waverley, VIC 3149
Melbourne, Australia

Techtronic Industries N.Z. Limited
Unit C, 70 Business Parade South,
Highbrook, Auckland 2013, New Zealand

RYOBI is a trade mark of Ryobi Limited, and is used under license.

961479072-01

