

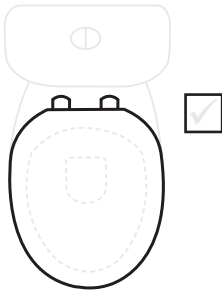
Replacing your toilet seat

Before replacing a toilet seat, it's important to determine the shape, fixings and measurements of your existing pan accurately.

- Step 1** Determine the shape of your toilet seat
- Step 2** Determine if you require top or bottom fixing
- Step 3** Measure the existing pan
- Step 4** Choose your replacement toilet seat

1. Determine the shape of your toilet seat

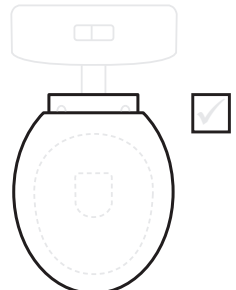
There are three predominant toilet seat shapes:



'O' Shape



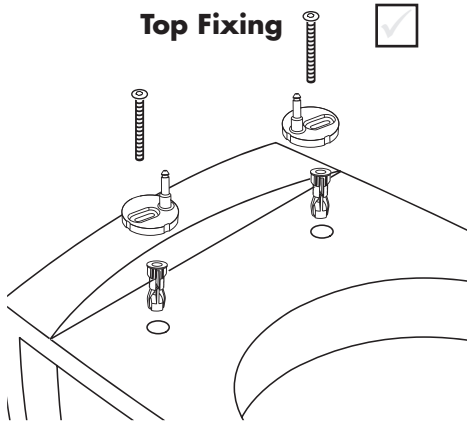
'D' Shape



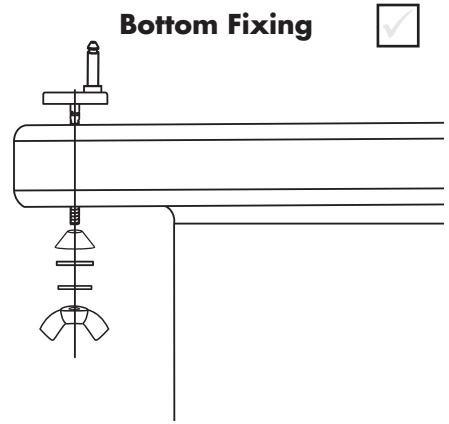
Link Suite

For more information ask a team member or visit [bunnings.com.au](https://www.bunnings.com.au) and search 'toilet seat'

2. Determine if you require top or bottom fixing



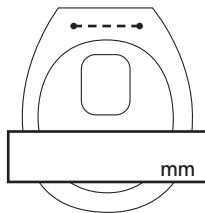
Top fixing toilet seat hinges work by feeding two bolt fixings into the toilet pan and tightened from the top - similar to a wall plug in a hole in the wall. If you're unable to get to the toilet fixing or see the fixings explained to the right in a bottom fix toilet, then it's likely you need a top fix toilet seat.



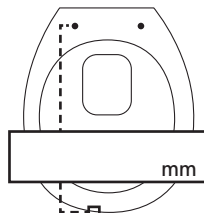
Bottom fixing toilet seat hinges feature a traditional style fixing which includes fitting two bolts down into your pan and then tightening them from underneath. Wing bolts are often used. If you can get your hand up behind the toilet and feel the bolt, it's likely you need a bottom fix toilet seat.

3. Measure the existing pan

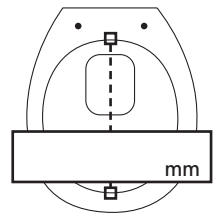
1 Fixing point to fixing point



2 Centre of hole to front of pan



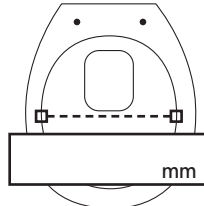
3 Back to front (inside)



4. Choose your replacement toilet seat

Check our products in-store or online, ensuring the sizes and configurations suit your needs.

4 Side to side (inside)



5 Side to side (outside)

