

Structural Tile Over Shower Tray



SPECIAL
ORDERS

bellessi

Available at
BUNNINGS
warehouse

Take This Brochure to the Special Orders Desk or order online at [bunnings.com.au](https://www.bunnings.com.au)

BELLESSI IS EXCLUSIVE TO BUNNINGS

BELLESSI AUSTRALIA

— —
PHONE 1800 45 47 44
ENQUIRIES ENQUIRIES@BELLESSI.COM.AU
ORDERS ORDERS@COMPOSITE.COM.AU
ONLINE WWW.BELLESSI.COM.AU

BELLESSI NEW ZEALAND

— —
PHONE 0800 60 78 76
ENQUIRIES ENQUIRIES@BELLESSI.CO.NZ
ORDERS ORDERS@BELLESSI.CO.NZ
ONLINE WWW.BELLESSI.CO.NZ

MANUFACTURED IN AUSTRALIA BY



37 Hosie Street, Bayswater VIC AUS 3153
Telephone: (613) 8720 7600
Fax: (613) 9729 5197
Email: enquiries@bellessi.com.au





The Bellessi Tile Over Shower Tray is the only Australian made, structural, waterproof tray on the market!

Key Features of the Bellessi Tile Over Shower Trays

Structural & self supporting

Can be installed directly onto joists

Manufactured in Australia

Does not require waterproofing

Built-in fall for drainage

Waterproof tray system that won't leak

Multiple waste & grate options available

15 year guarantee

Watermark certification

Manufactured using Torbex®

Tray flange easy to trim down to suit all
tiling heights

Sanitary grade suitable for all wet areas

Bellessi Tile Over Shower Trays are DIY easy

The simple, cost effective way to tile a shower. As well as being the only Australian made, waterproof, structural tray on the market, Bellessi provides a 15 year guarantee ensuring piece of mind.

What is Torbex®?

Torbex® is a high strength long glass fibre composite material designed and developed specifically for use in shower trays. Torbex® is produced by Australia's largest manufacturer of composite materials.



Bellessi Tile Over Shower Tray Specifications

The Tile Over Shower Tray Range

Product	Width	Length	Underside	Code	I/N
Tile Over Shower Tray Rear Outlet Torbex®	900mm	900mm	Ribbed	B4700	4890679
Tile Over Shower Tray Rear Outlet Torbex®	1200mm	900mm	Ribbed	B4702	4890680
Tile Over Shower Tray Rear Grate Torbex®	900mm	900mm	Ribbed	B4701	4890681
Tile Over Shower Tray Rear Grate Torbex®	900mm	1200mm	Ribbed	B4706	4890682
Tile Over Shower Tray Rear Grate Torbex®	1200mm	900mm	Ribbed	B4703	4890687
Tile Over Shower Tray Rear Grate Torbex®	1500mm	1000mm	Ribbed	B4707	4890684
Tile Over Shower Tray Rear Grate Torbex®	1800mm	1000mm	Flat	B4708	0104442
Tile Over Shower Tray Rear Grate Torbex®	2100mm	1000mm	Flat	B4709	4890686

The Outlet Range

Product	Code	I/N
Round Drain	B1740	4890688
Square Drain	B1730	4890689
Tile Insert Drain	B1750	4890690

The Grates Range

Product	Suits	Code	I/N
840mm Channel Grate SS, Punched	B4701 & B4706	B1781	4890707
840mm Channel Grate SS, 11mm High Tile Insert	B4701 & B4706	B1720	0116934
840mm Channel Grate SS, 17.7mm High Tile Insert	B4701 & B4706	B1756	4890694
840mm Channel Grate SS, Wire Style	B4701 & B4706	B1783	4890708
860mm Channel Grate SS, Punched	B4701 & B4706	B1780	0104443
860mm Channel Grate SS, 11mm High Tile Insert	B4701 & B4706	B1721	0104444
860mm Channel Grate SS, 17.7mm High Tile Insert	B4701 & B4706	B1758	0117264
860mm Channel Grate SS, Wire Style	B4701 & B4706	B4716	4890693
1140mm Channel Grate SS, Punched	B4703 & B4707	B1782	4890698
1140mm Channel Grate SS, 11mm High Tile Insert	B4703 & B4707	B1722	0104445
1140mm Channel Grate SS, 17.7mm High Tile Insert	B4703 & B4707	B1759	4890697
1140mm Channel Grate SS, Wire style	B4703 & B4707	B1784	4890699
1160mm Channel Grate SS, Punched	B4703	B1785	4890695
1160mm Channel Grate SS, 11mm High Tile Insert	B4703	B1724	0104446
1160mm Channel Grate SS, 17.7mm High Tile Insert	B4703	B1723	0104447
1160mm Channel Grate SS, Wire style	B4703	B4717	4890696
1430mm Channel Grate SS, Punched	B4708 & B4709	B1786	4890700
1430mm Channel Grate SS, 11mm High Tile Insert	B4708 & B4709	B1725	0104448
1430mm Channel Grate SS, 17.7mm High Tile Insert	B4708 & B4709	B1751	0104449
1430mm Channel Grate SS, Wire style	B4708 & B4709	B4735	0104450

Structural Tile Over Shower Tray and Accessory Options



1
Tile Tray Rear Outlet Torbex®

2
Tile Tray Rear Grate Torbex®

3
Tile Tray Rear Grate Torbex® (Large Format)*

4
Round Drain

5
Square Drain

6
Tile Insert

7
Punched Style Grate

8
Tile Insert Grate

9
Wire Style Grate

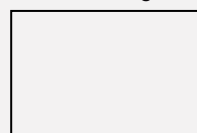
Tile Insert Grate Height

We offer an 11mm and 17.7mm high option to account for different thickness tiles.

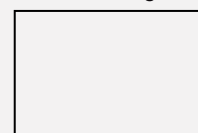
Selecting The Right Length Grate

Where our tile trays allow we offer two different length grates so when installing a Tile Over Shower Tray with 3 surrounding walls we recommend using the shorter length grate option. This allows for the grate to be removed more easily for cleaning. As an example - when installing a 900x900 Tile Over Shower Tray:

Use 840mm grate



Use 860mm grate



* 1500mm and up

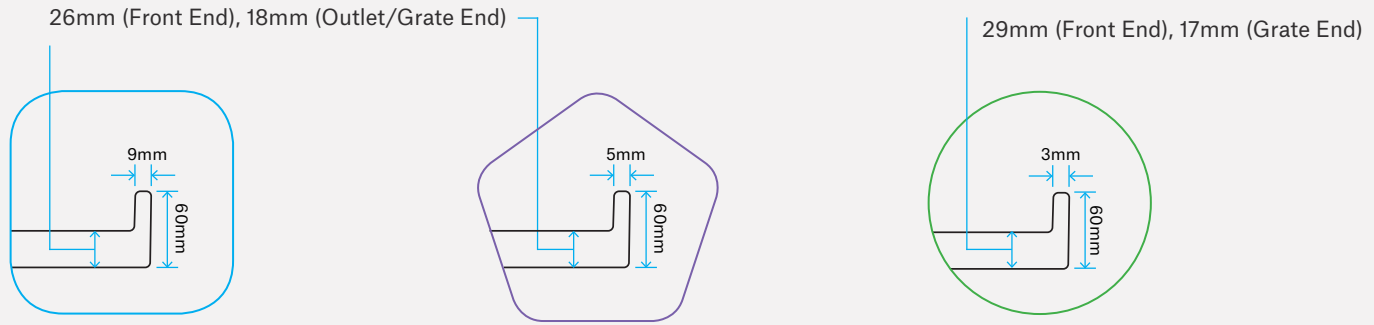




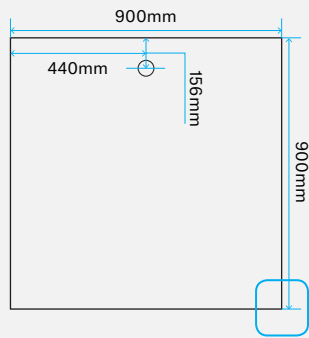
Tile Over Shower Tray Dimensions

NOTE:

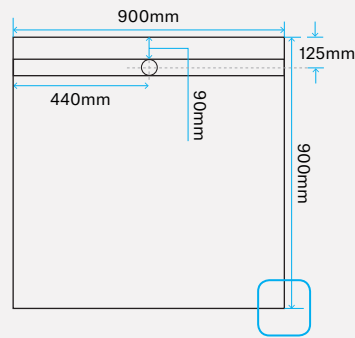
- All Perimeter measurements from **Outside** edge to Outside edge
- All **Internal** Measurements from Inside Edge
- Diameter of waste is 65mm for outlet style and 50mm for grate style



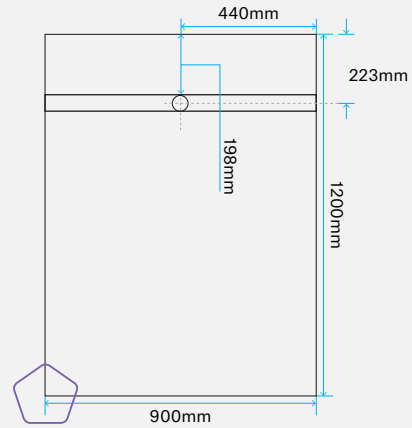
900mm Tile Over Shower Tray Outlet (4890679)



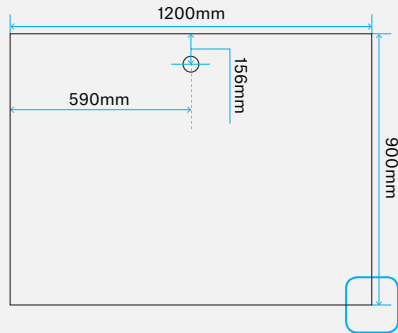
900mm Tile Over Shower Tray Grate (4890681)



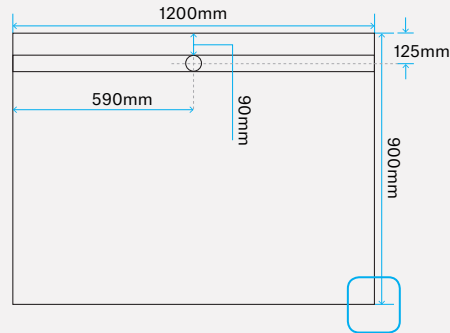
900mm Tile Over Shower Tray Grate (4890682)



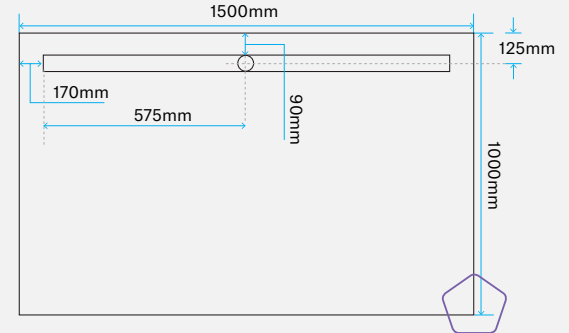
1200mm Tile Over Shower Tray Outlet (4890680)



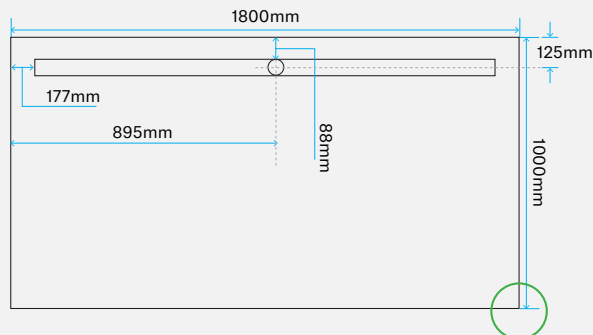
1200mm Tile Over Shower Tray Grate (4890687)



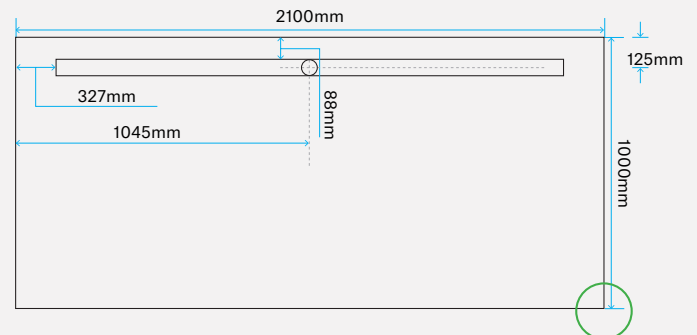
1500mm Tile Over Shower Tray Grate (4890684)



1800mm Tile Over Shower Tray Grate (104442)



2100mm Tile Over Shower Tray Grate (4890686)



It is the responsibility of the installer to adhere to local building codes when installing the Bellessi Tile Over Shower Tray. Bellessi Tile Over Shower Trays are designed to be tiled over and must be used as such. Failure to cover or tile correctly will void the warranty.

Bellessi Tile Over Shower Trays are DIY Easy!

Your Bellessi Tile Over Shower Tray can be installed directly onto joists. It can also be installed onto particleboard, hardwood flooring and even concrete slabs.

Bellessi Tile Over Shower Trays are perfect for any bathroom, whether you are doing a renovation or building a new home.

You can trim the lip away from your tile tray where required to match the thickness of your tiles or remove completely to achieve a seamless walk in tiled shower.

With its structural properties, built in fall and high weight rating it will save you time and money, while giving you peace of mind for years to come.

Please carefully read the included instructions before installation. Alternatively instructions can be viewed at www.bellessi.com.au or www.bellessi.co.nz

1

Adhere the Tile Over Shower Tray into position with a flexible adhesive



2

Adhere your tiles to the tray



3

Your installation is complete!



How It Works

It's as simple as 1,2,3! Follow the steps shown to purchase or order your product. If you need further advice, speak to a team member at the Special Orders Desk in-store.

1. Select The Product You Want

View the extensive range available in this brochure or online.

2. Order Online or at the Special Orders Desk

After you have selected the product you want, take this brochure to the Special Orders Desk or order online at bunnings.com.au

The Tile Over Shower Tray Range

Product	Width	Length	Underside	Code	I/N
Tile Over Shower Tray Rear Outlet Torbex®	900mm	900mm	Ribbed	B4700	4890679
Tile Over Shower Tray Rear Outlet Torbex®	1200mm	900mm	Ribbed	B4702	4890680
Tile Over Shower Tray Rear Grate Torbex®	900mm	900mm	Ribbed	B4701	4890681
Tile Over Shower Tray Rear Grate Torbex®	900mm	1200mm	Ribbed	B4706	4890682

3. Get It Home

We Will Deliver

Delivery to your home or site can be arranged online or in-store when purchasing your products.

Pick-Up In-Store

If you decide to pick-up in-store and need help to get it home, you can:

- borrow a courtesy trailer
- hire a vehicle

Check with your local Bunnings store for availability.

bellessi

