

HENDERSON

HENDERSON PRODUCT CATALOGUE

Sliding and Folding Door Hardware



ASSA ABLOY

Experience a safer
and more open world



SECTION A

general information



HENDERSON

Customer Service Directory

If you have any questions regarding ASSA ABLOY, our products, or distribution, please contact our Customer Services team.

Contact Details

Phone	09 448 9188
Fax	09 415 7889
Email	Standard Orders/Queries nzsales@assaabloy.com specification.aanz@assaabloy.com
	Urgent Collect Orders aanzcollectorders@assaabloy.com (note: additional fee may apply)
Online Catalogue	www.assaabloycatalogue.co.nz
Website	www.assaabloy.co.nz
Address	6 Armstrong Road Albany, Auckland 0632 PO Box 100407 North Shore, Auckland 0745

General Conditions of Sale

1. Master Agreement and Application

- 1.1** The parties agree that, pursuant to the Personal Properties Security Act 1999 (PPSA), these conditions of sale:
- (a) will apply to all products and services supplied by ASSA ABLOY New Zealand Limited ("ASSA ABLOY") to the buyer in the future, and that any such products supplied will be described as inventory;
 - (b) will prevail over any inconsistent terms or conditions contained or referred to in the buyer's purchase order or other correspondence, and will supersede all previous written or implied conditions of sale; and
 - (b) may be varied by ASSA ABLOY at any time by notice in writing to the buyer.
- 1.2** The buyer acknowledges that collateral supplied to the buyer by ASSA ABLOY is inventory.
- 1.3** *Variation and improvements to design and printed specifications will continue to be made without notice.*

2. Packing and Freight

- All prices shown include standard freight within New Zealand.
- Requests for urgent/courier delivery will incur a freight charge at cost.
- Any additional packaging required for export despatch will incur extra packaging charges.

3. Claims

Your order should be checked against the packing slip acknowledgement. Except as covered under the warranty clause, claims made seven days, or later, after the receipt of goods will not be recognised or admitted.

4. Proof of Delivery

Buyer must advise the carrier/s and ASSA ABLOY of non-delivery of invoiced goods within 28 days of receipt of invoice; unless such advice is received buyer admits delivery of invoiced goods.

5. Delivery

Split delivery – If only part consignment is delivered advise the carriers and ASSA ABLOY immediately clearly stating what has been delivered and what is missing.

Breakages – Sign 'unexamined'. Unpack without delay and advise the carriers and ASSA ABLOY of any damage or breakages immediately.

6. Delivery Date

Any time or date for despatch provided is an estimate only and ASSA ABLOY shall not be liable for the consequences of any delay.

7. Prices

All prices shown are prices for customers resident within New Zealand only. Prices are subject to alterations at any time without notice. The price charged is that ruling at date of purchase. All published prices are GST exclusive.

8. Payment

All goods and materials supplied are due for settlement in full on 20th of month following invoice date.

9. Remedies

- 9.1** The parties agree to contract out of Part 9 of the PPSA as far as it applies to ASSA ABLOY's rights to withhold delivery of subsequent orders, cancel discounts, and charge for debt collection and recovery costs, without prejudicing any of ASSA ABLOY's other rights under the PPSA or these conditions of sale. On default of payment ASSA ABLOY reserves the right to withhold delivery of all subsequent orders until settlement is received. When payment is late discounts may be cancelled. All debt collection agency fees, charges and debt recovery costs will be added to the amount due.
- 9.2** The buyer waives his or her right to do any of the following:
- (a) To object to ASSA ABLOY's proposal to retain any inventory under section 121 of the PPSA;
 - (b) To receive notice of a removal of an accession under section 129 of the PPSA;
 - (c) To apply to the Court for an order concerning the removal of an accession under section 131 of the PPSA;
 - (d) To redeem any inventory under section 132 of the PPSA; or
 - (e) To receive a copy of the verification statement confirming registration of a financing statement or a financing change statement relating to the security interest caused by this agreement.

General Conditions of Sale *continued...*

10. Warranty

In addition to other written guarantees, ASSA ABLOY provides a warranty against faulty workmanship and/or materials and any claim on account of quality or condition will be limited to the invoiced value of the product alone and must be made in writing within

30 days of the arrival of the goods under this clause.

For full warranty details, visit www.assaabloy.co.nz/warranties

11. Returned Goods Policy

Goods may only be returned with the prior consent of ASSA ABLOY.

The majority of product lines are made to order and are therefore non-returnable. Stocked product lines may be returned, subject to prior agreement and acceptance by ASSA ABLOY. Non-returnable product includes some non-stocked black product, product ordered in a "P" or "Special" colour, customised product, specially imported products and items with specific keying instructions. Please check with our Customer Services team for more information.

Upon confirmation that goods can be returned, a returned goods number must be obtained from ASSA ABLOY Customer Services. This number must be attached to the returned goods. ASSA ABLOY is unable to process credits unless the goods have a returned goods number.

Goods should be returned to ASSA ABLOY New Zealand Limited, freight paid, fully insured at the purchaser's risk. All returns must be clearly marked with the returned goods number and be accompanied by a copy of the original invoice.

Any return of goods is on the proviso that the goods returned are in the same order and condition as when they were originally despatched by ASSA ABLOY and that the goods are returned within 14 days of the original order being placed.

On all the returns where ASSA ABLOY has despatched the order correctly, a handling fee of up to 25% of the invoice value may be deducted.

Where goods have been in the purchaser's hands for longer than 30 days, the request to return goods to ASSA ABLOY is solely at ASSA ABLOY's discretion, and the credit value of the returned goods will also be at ASSA ABLOY's discretion.

12. Security

12.1 All goods and materials supplied are ex Works and risk passes to the buyer after leaving ASSA ABLOY's warehouse door.

12.2 The buyer grants ASSA ABLOY a purchase money security interest in inventory, as described by the PPSA, supplied by ASSA ABLOY to the buyer.

12.3 The buyer also grants ASSA ABLOY a general security interest in all the buyer's present and after acquired property for any indebtedness the buyer has to ASSA ABLOY from time to time.

12.4 ASSA ABLOY may allocate payment of indebtedness for any debt to any consignment of inventory provided to the buyer as ASSA ABLOY sees fit.

12.5 In default of payment in full on the due date ASSA ABLOY will have the right immediately to repossess and remove inventory without prejudice to any of ASSA ABLOY's other rights under this Agreement or otherwise, and the buyer hereby irrevocably authorises ASSA ABLOY to enter any premises where inventory may be for such purpose.

12.6 Any proceeds of sale of inventory supplied to the buyer by ASSA ABLOY shall be held in trust for ASSA ABLOY. ASSA ABLOY may trace the proceeds of any such sales in accordance with equitable principles.

12.7 The buyer acknowledges that ASSA ABLOY has provided inventory to the buyer on credit and the buyer acknowledges that ASSA ABLOY has a security interest in the inventory provided by ASSA ABLOY to the buyer.

13. Notices

Any notices to the buyer may be given by posting the notice to the buyer's last known postal address; emailing it to the buyer's last known email address; or faxing it to the buyer's last known facsimile number.

SECTION B

straight sliding top
hung door systems



HENDERSON

STRAIGHT SLIDING TOP HUNG DOOR SYSTEMS

Section Index and General Guide

Select system for your top hung application.	Residential	Commercial	Industrial	Max. Door	Product	Data Sheet
APPLICATION						
Residential						
For small cupboards and serving hatches	■			9kg	Slipper	B20
For wardrobes or large cupboards	■			27kg	Double Top Lite	B30
For sliding doors	■			30kg	Swift	B40
For sliding doors	■			30kg	Sprint	B50
For wardrobes or large cupboards	■			45kg	Single Top	B60
For wardrobes or large cupboards	■			45kg	Double Top	B70
For timber or metal sliding doors	■			55kg	Marathon 55 & 90	B80
For interior doors. To suit one or more doors	■			80kg	Rustic	B90
For timber or metal sliding doors	■			80kg	Sirocco	B100
Single line of doors for timber or metal sliding doors	■			100kg	Husky 50 & 100	B110
For timber or metal sliding doors	■	■		120kg	Universal Telescopic	B120
Simultaneous action kit for biparting doors	■			100kg	Husky SIM 100	B130
Commercial						
For interior doors. To suit one or more doors	■	■		100kg	Husky Low Headroom 100	B140
For interior and exterior doors. To suit one or more doors		■		120kg	Soltaire 120	B150
For interior doors. To suit one or more doors		■		120kg	Soltaire Low Headroom 120	B160
For interior doors. To suit one or more doors		■		120kg	Sienna	B170
For interior and exterior doors. To suit one or more doors		■		180kg	Soltaire 180	B180
For interior doors. To suit one or more doors		■		180kg	Soltaire Low Headroom 180	B190
For interior doors. To suit one or more doors		■		200kg	Pacer	B200
For interior and exterior doors. To suit one or more doors		■		250kg	Soltaire 250	B210
For interior doors. To suit one or more doors		■		250kg	Soltaire Low Headroom 250	B220
For interior doors. To suit one or more doors		■		500kg	Flexirol 500	B230
Industrial						
For timber or metal construction. Maximum door height – 3000mm			■	200kg	Straight Sliding 290	B240
For timber or metal construction. Maximum door height – 3000mm			■	450kg	Straight Sliding 301	B250
– 3600mm			■	700kg	Straight Sliding 305	B260
– 4000mm			■	2000kg	Straight Sliding 307	B270

SLIPPER

straight
sliding
top hung
systems

For sliding cupboard doors. Max 9kg.

APPLICATION

- For fitted bathroom and kitchen furniture of all kinds, such as serving hatches, cupboards and other items made from lightweight wood or chipboard
- For timber, timber framed or composite doors
- Silent – nylon slides on attractive aluminium track
- Easily top fixed
- Simple to remove doors for cleaning and decorating

DOOR SPECIFICATION

Track System **Slipper**

For Individual Doors:

Max Door Weight	9kg
Max Door Width	900mm
Door Thickness	16-30mm
Max Door Height	1800mm

STANDARD SETS AND PACK

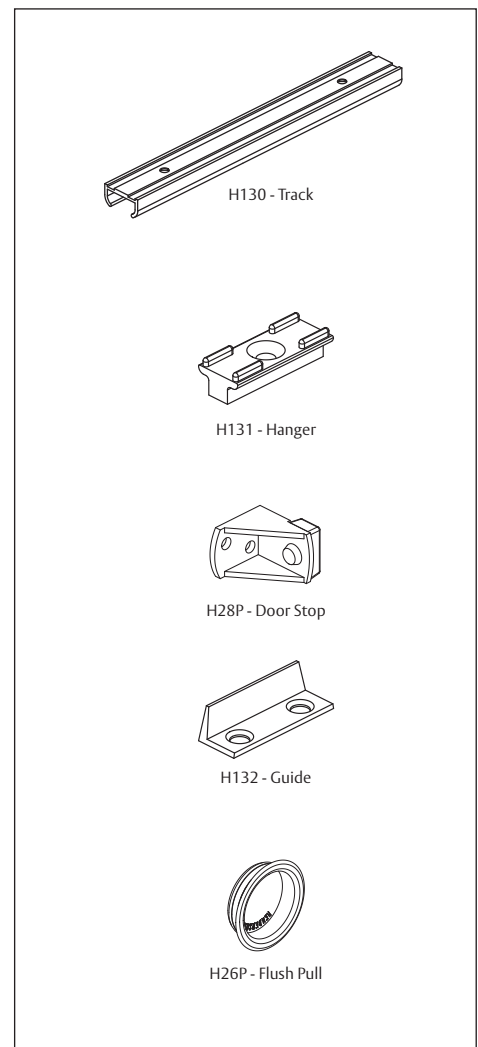
Sets comprise of 2 top aluminium section tracks, 4 nylon sliders, 3 guides, safety stop, 2 flushpulls, all screws and fitting instructions.

Set No.	Opening width	Track length	Hardware for
HSS4	1200mm	1200mm	2 doors
HSS5	1500mm	1500mm	2 doors
HSS6	1800mm	1800mm	2 doors

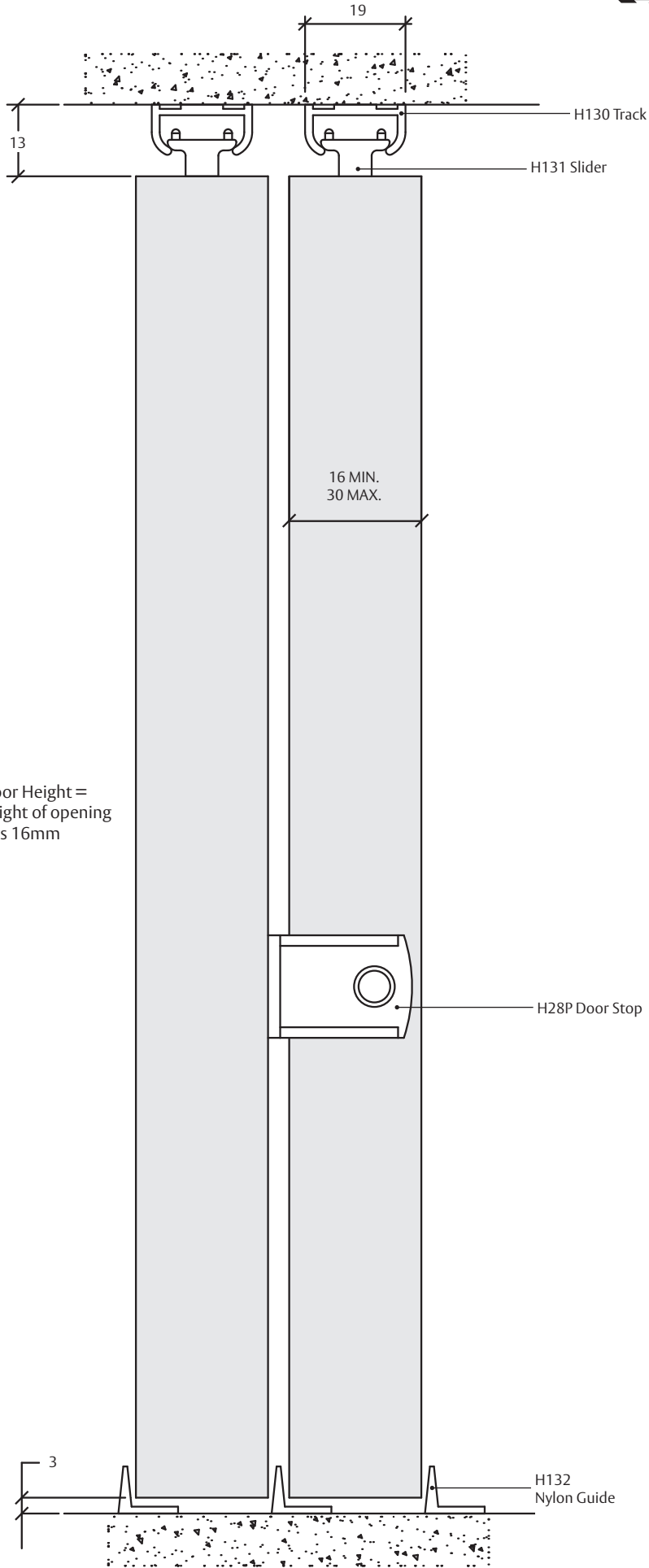
Pack No.	Application
HSS1	Single door fittings pack

HARDWARE SPECIFICATION

Track	H130	Aluminium (1800mm length)
Slider	H131	White nylon <i>Sliders are molded with radiused sides for ease of installation and for a smooth sliding action.</i>
Door Stop	H28P	Rubber-buffered stop
Guides	H132	White nylon saw cut guide <i>Guides can be positioned on both sides of the door or slide in a sawcut in the centre line of the door.</i>
Accessories		
Flush Pull	H26P	



HENDERSON



NOT TO SCALE

Door Height =
height of opening
less 16mm

HENDERSON

DOUBLE TOP LITE

For top hung sliding wardrobe doors. Max 27kg each.

APPLICATION

- For built-in furniture, i.e. wardrobes and cupboards in residential applications
- Easily adjusted door height
- Alternative guide channel systems available

DOOR SPECIFICATION

Track System Double Top Lite

For Individual Doors:

Max Door Weight 27kg
Door Thickness 16-38mm

Lightly framed timber doors or doors made from medium density fibreboard (MDF) must have provision for hangers to be screwed securely to the back face of the doors.

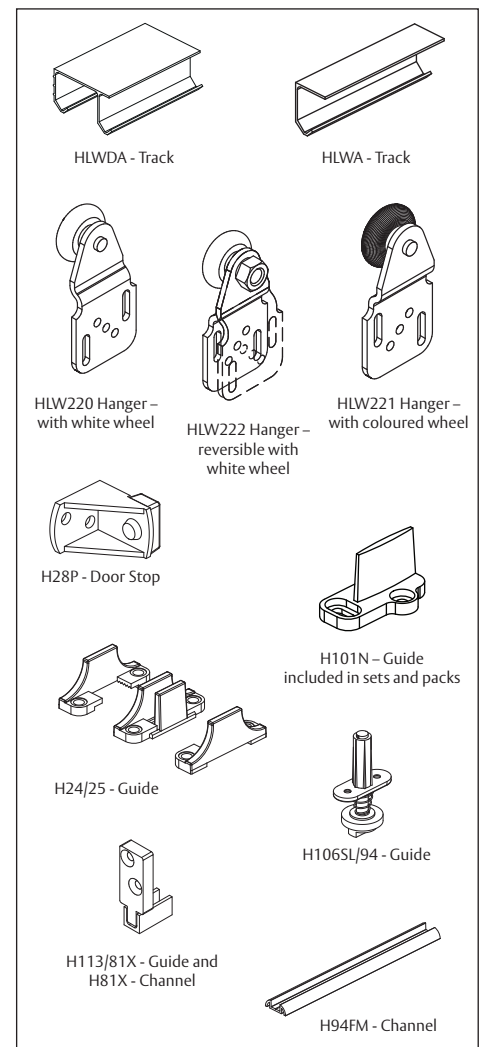
STANDARD SETS AND PACKS

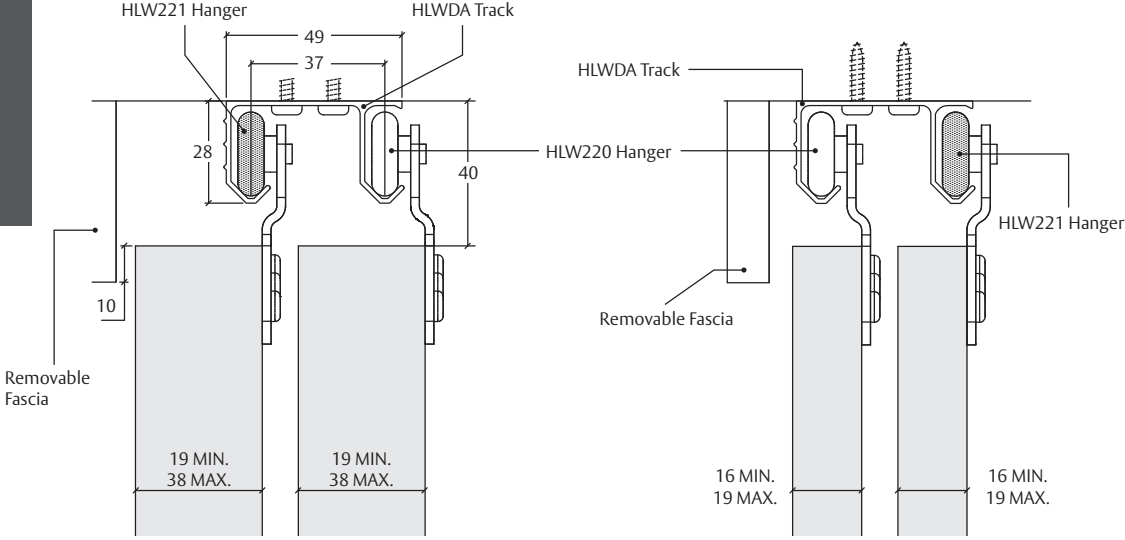
Sets comprise top track, hangers, door stop(s), saw cut guide(s), all screws and fitting instructions.

Set No.	Opening width	Track length	Hardware for
HLW12	1200mm	1200mm	2 doors
HLW15	1500mm	1500mm	2 doors
HLW18	1800mm	1800mm	2 doors
HLW24	2400mm	2400mm	3 doors
Pack No.	Application		
HLW01	1 door pack		

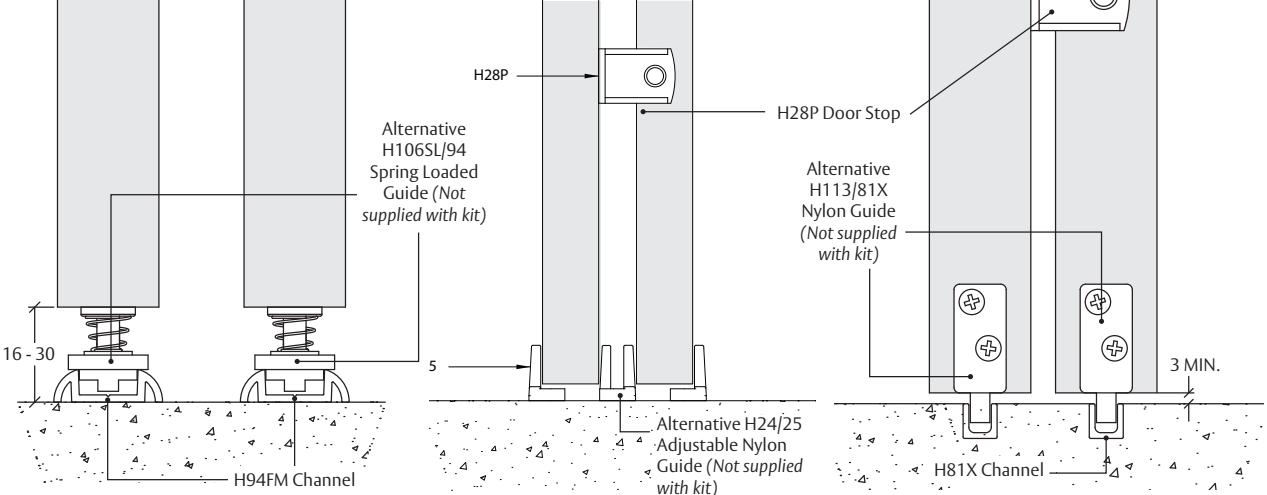
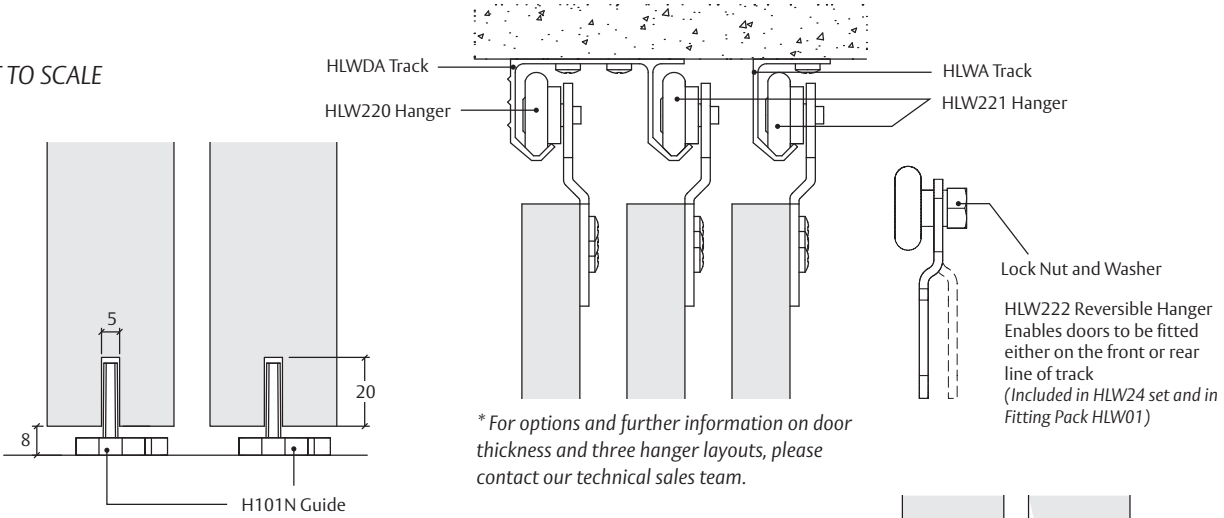
HARDWARE SPECIFICATION

Track	HLWDA	Aluminium (1200, 1500, 1800, 2400 & 4800mm lengths)	
Hangers (2 per door)	HLW220	Outer offset hanger	
	HLW221	Inner offset hanger	
	HLW222	Reversible offset hanger	
Door Stop	H28P	Rubber-buffered stop	
Guides	H101N	Nylon saw cut guide	
Accessories	Single track	HLWA	Aluminium (1200, 1500, 1800, 2400 & 4800mm lengths)
		Guides	H24/25
		H106SL/94	Spring loaded guide (suits H81X channel & H94FM channel)
		H113/81X	Nylon guide (suits H81X channel)
Channels	<i>For heavy duty applications or where more than 3 doors are required per opening</i>		
	H81X	Aluminium channel (2400 & 3600mm lengths)	
	H94FM	Aluminium channel (2000, 3000, 4000 & 6000mm lengths)	



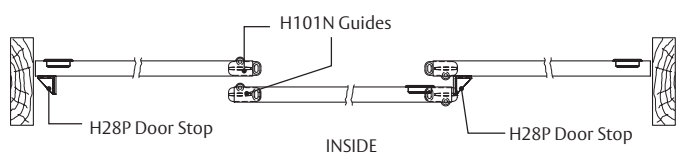
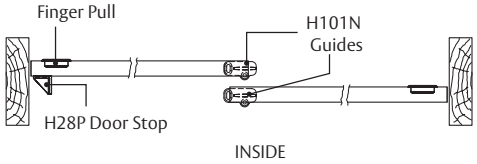


NOT TO SCALE



Double Top Lite – 2 Door Application

Double Top Lite – 3 Door Application



SWIFT

For top hung sliding doors. Max 30kg each.

APPLICATION

- Ideal for residential interior top hung sliding doors
- Suitable for a single door or for two doors on a bi-parting installation - door width limits apply
- The track is sidewall fitted with provision for a 'hook-on' pelmet
- All screws are the same size and length for quick selection and easy installation

DOOR SPECIFICATION

Track System	Swift
For Individual Doors:	
Max Door Weight	30kg
Max Door Width	1500mm
Min Door Thickness	25mm

Suitable for use with lightly constructed timber framed doors of flush or panelled construction. Provision must be made for fitting the hangers securely, since the hangers strike the door stops.

STANDARD SETS AND PACK

Sets comprise of top track, 2x hangers, 2x door stops, H101N and H162 guides, all screws and winstallation instructions.

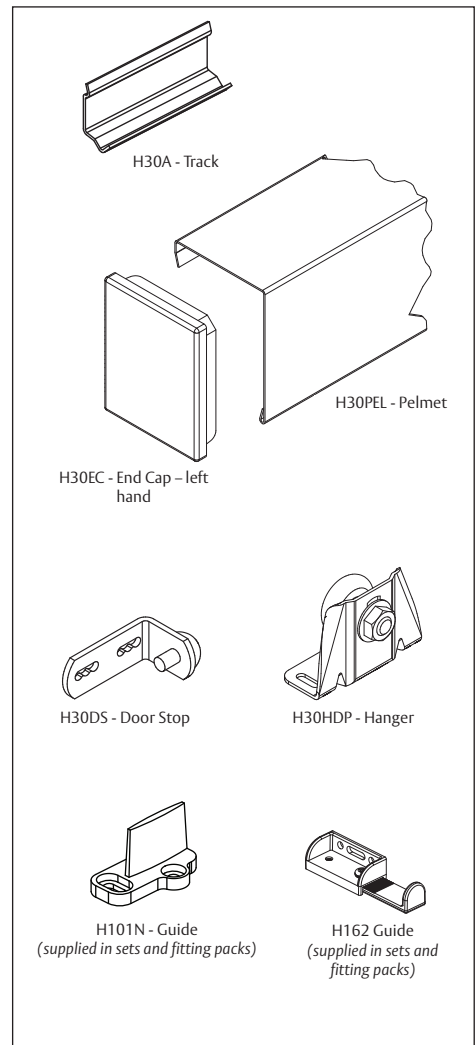
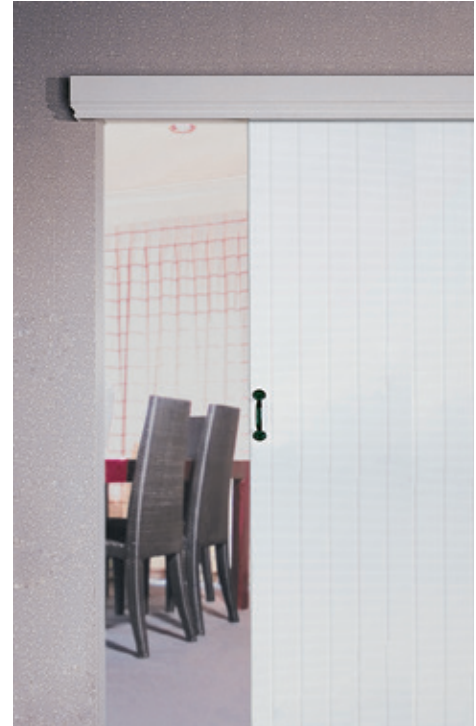
Set No.	Max door width	Hardware for	Track length
HS16	900mm	1 door	1600mm
HS24	1500mm	1 door	2440mm

Pack No.

HS1 The S1 is a pack of fittings only, without track, for use with one S24 set for bi-parting doors, each 720mm maximum width.

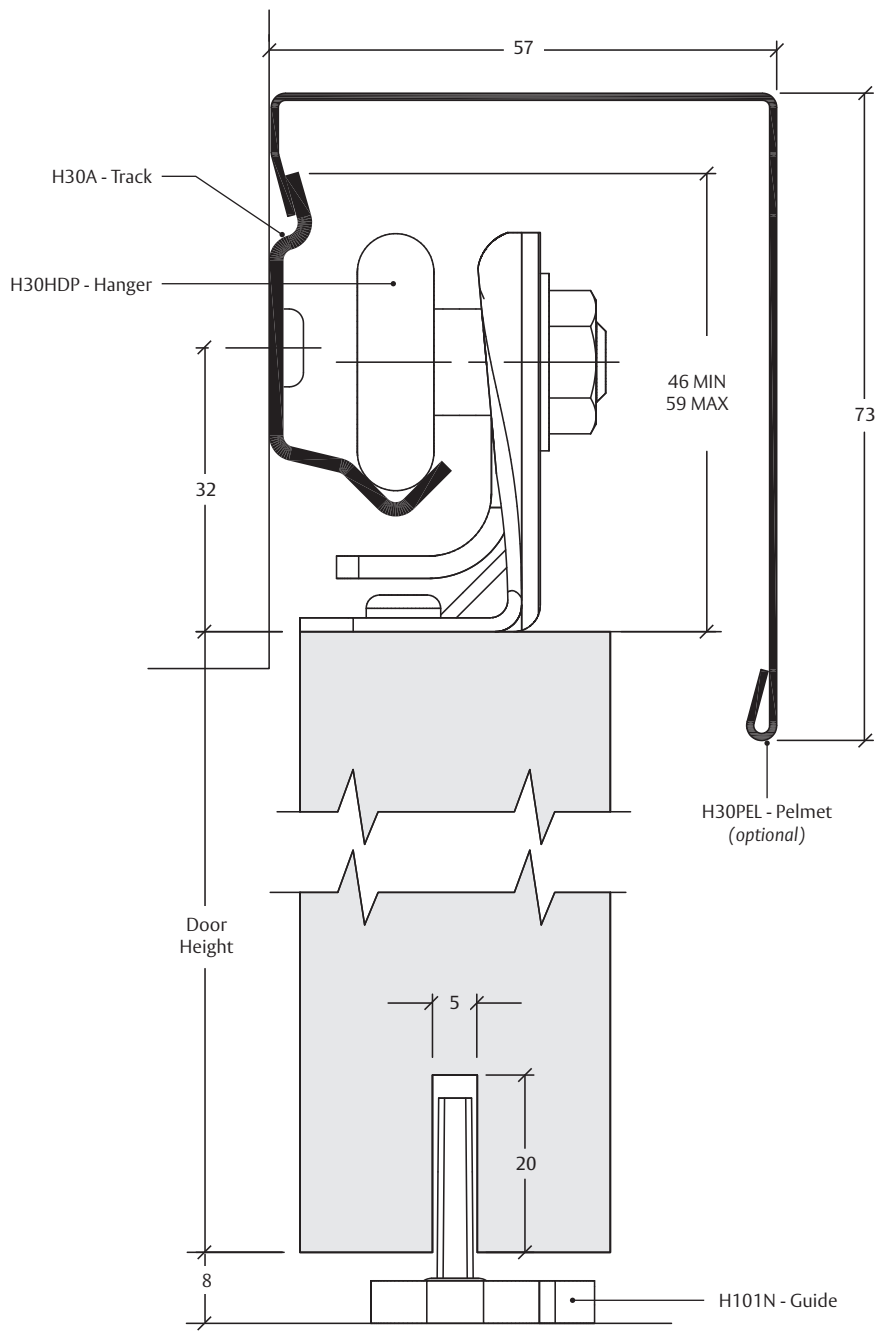
HARDWARE SPECIFICATION

Track	H30A	Aluminium (1600 & 2440mm lengths) Track includes recess for 'hook-on' pelmet.
Hangers (2 per door)	H30HDP	Steel hanger with nylon wheel
Door Stop	H30DS	Rubber buffered stop
Guides	H101N H162	Nylon saw cut guide Adjustable floor guide.
Accessories		
Pelmet and End Caps	H30PEL	Pelmet in pearl white on zinc coated steel. <i>Hooks onto track, no screws required. Supplied with End Caps made from high impact polypropylene. The end caps are a push-fit onto the pelmet. Pelmet length: 1830mm.</i>

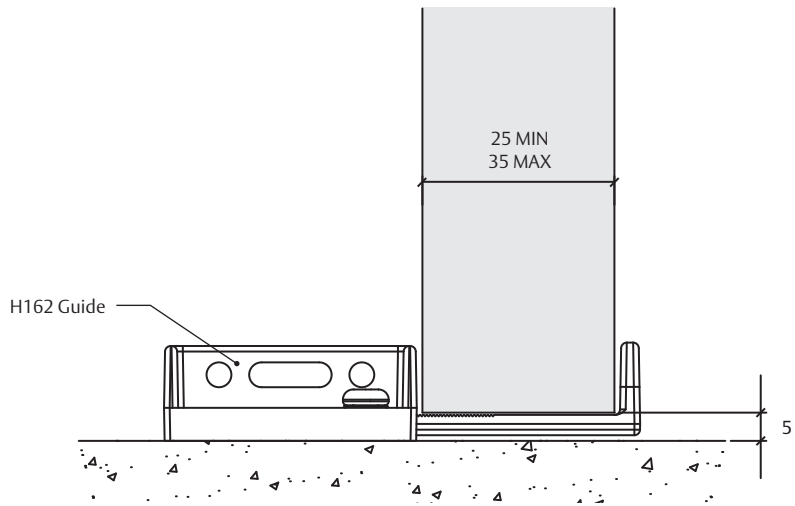




HENDERSON



NOT TO SCALE



SPRINT

straight
sliding
top hung
systems

For top hung sliding doors. Max 30kg.

APPLICATION

- For entrance doors and doors between rooms
- For timber, timber framed or composite doors
- Silent – nylon guides and hangers on aluminium track
- Floor component – guide only

DOOR SPECIFICATION

Track System	Senator
For Individual Doors:	
Max Door Weight	30kg
Max Door Width	900mm or 1525mm
Door Thickness	20-35mm
Max Door Height	2400mm

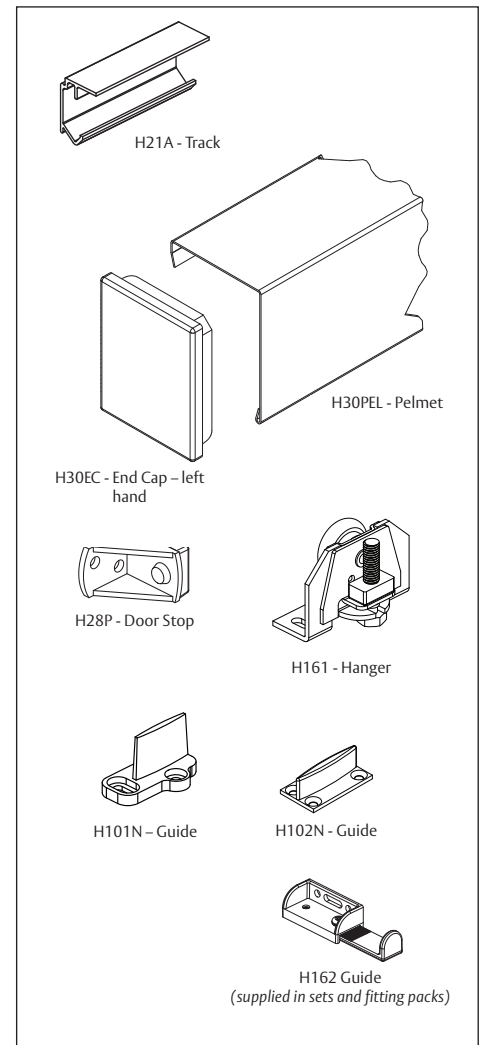
STANDARD SETS AND PACK

Sets comprise of jump-proof, face/soffit fixing aluminium section track, top fixing hangers, H162 guide, stop, all screws and fitting instructions.

Set No.	Opening width	Hardware for	Track Length
HSP3	900mm	1 door	1800mm
HSP5	1525mm	1 door	3000mm
Pack No.	Application		
HSENSP1	One door fitting kit		

HARDWARE SPECIFICATION

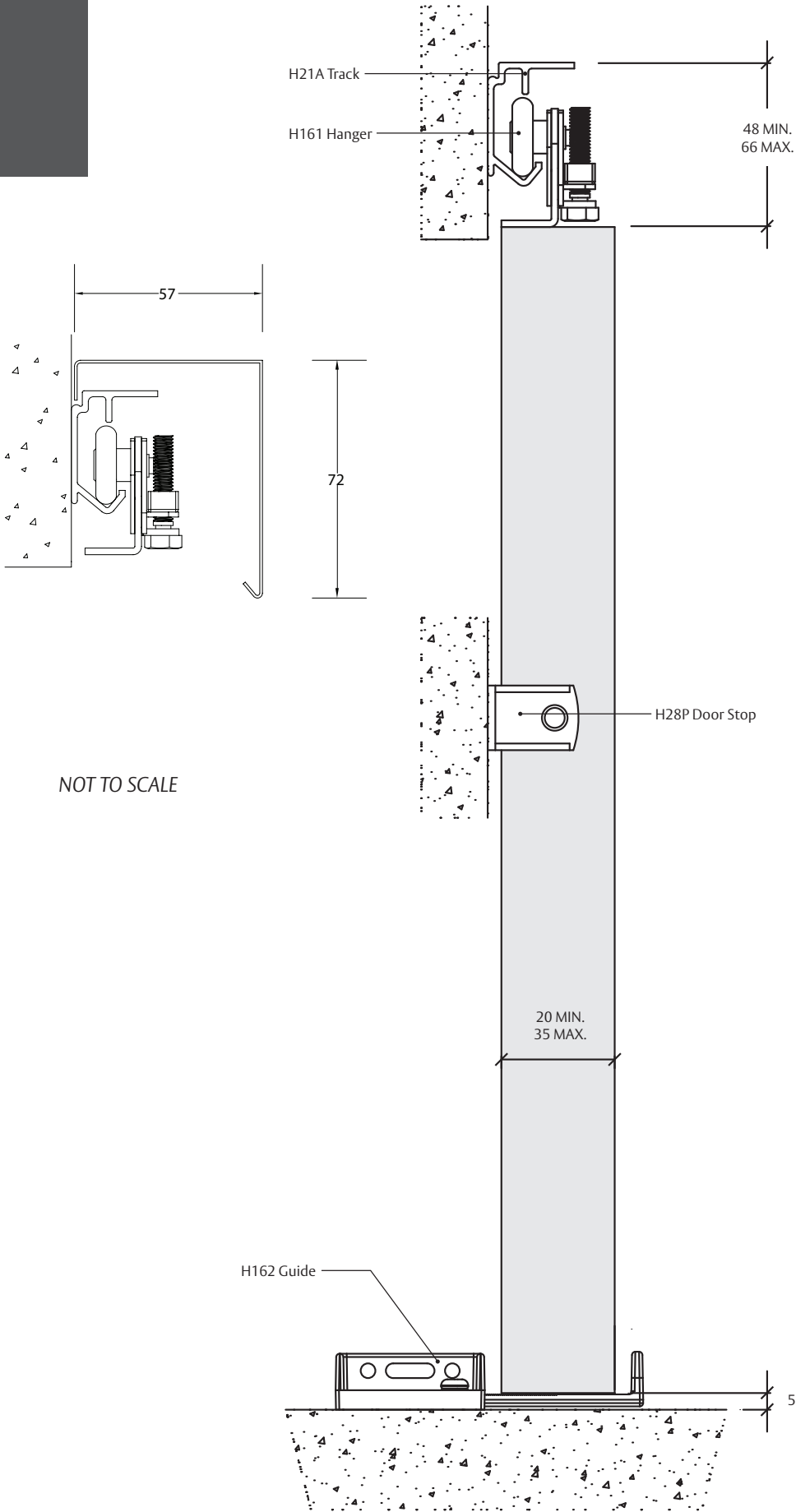
Track	H21A	Aluminium (3000mm length)
Hangers (2 per door)	H161	Senator hanger Top fixing hangers with ball race nylon tyred wheels for smooth operation. Built in adjustability for ease of installation
Door Stop	H28P	Rubber buffered stop
Guides	H101N	Nylon saw cut guide
	H162	Adjustable floor guide
	H102N	Nylon saw cut guide
Accessories		
Pelmet and End Caps	H30PELDP	Pelmet in white on zinc coated steel. Hooks onto track, no screws required. Supplied with End Caps made from high impact polypropylene. The end caps are a push-fit onto the pelmet. Pelmet length: 1830mm



HENDERSON



HENDERSON



SINGLE TOP

straight
sliding
top hung
systems

For single track sliding wardrobe doors. Max 45kg.

APPLICATION

- For timber framed composite doors
- Silent – nylon wheeled ball bearing hangers and aluminium track
- Easily adjusted door height
- Alternative guide channel systems available

DOOR SPECIFICATION

Track System **Single Top**

For Individual Doors:	
Max Door Weight	45kg
Max Door Width	900mm
Door Thickness	16-40mm
Max Door Height	2400mm

STANDARD SETS AND PACK

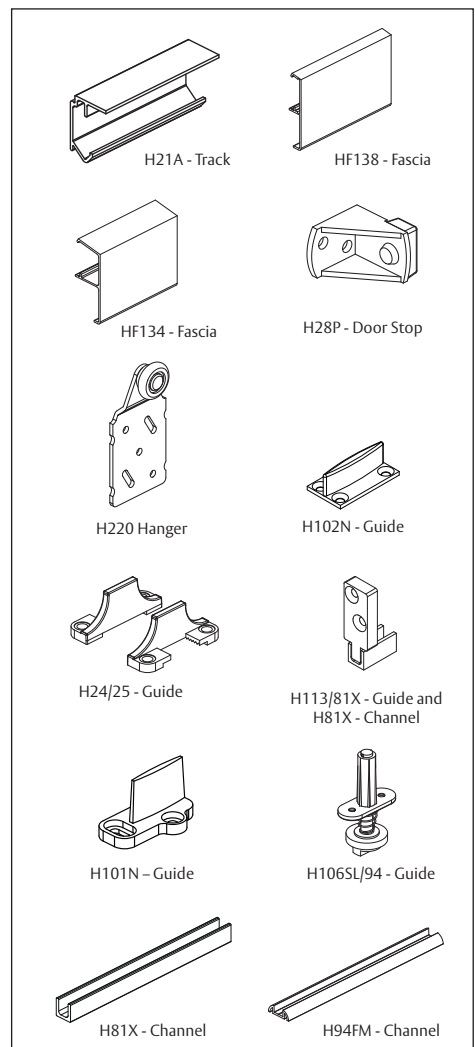
Sets comprise of jump-proof, face/soffit fixing aluminium section track, ball bearing hangers, nylon guides, rubber-buffered stop, all screws and fitting instructions.

Set No.	Opening width	Track length	Hardware for
HST12	600mm	1200mm	1 door
HST15	750mm	1500mm	1 door
HST18	900mm	1800mm	1 door
Pack No.	Application		
HST01	Single door fittings pack		

HARDWARE SPECIFICATION

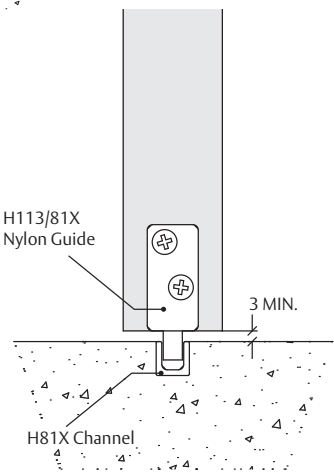
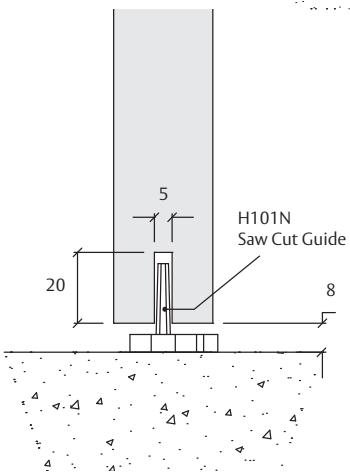
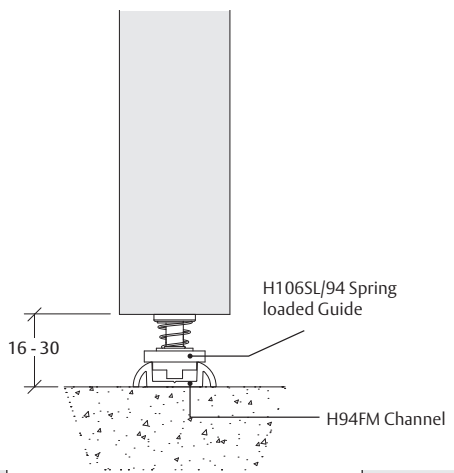
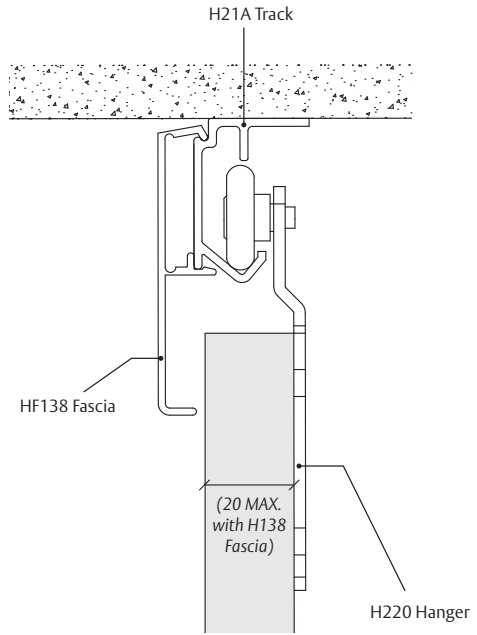
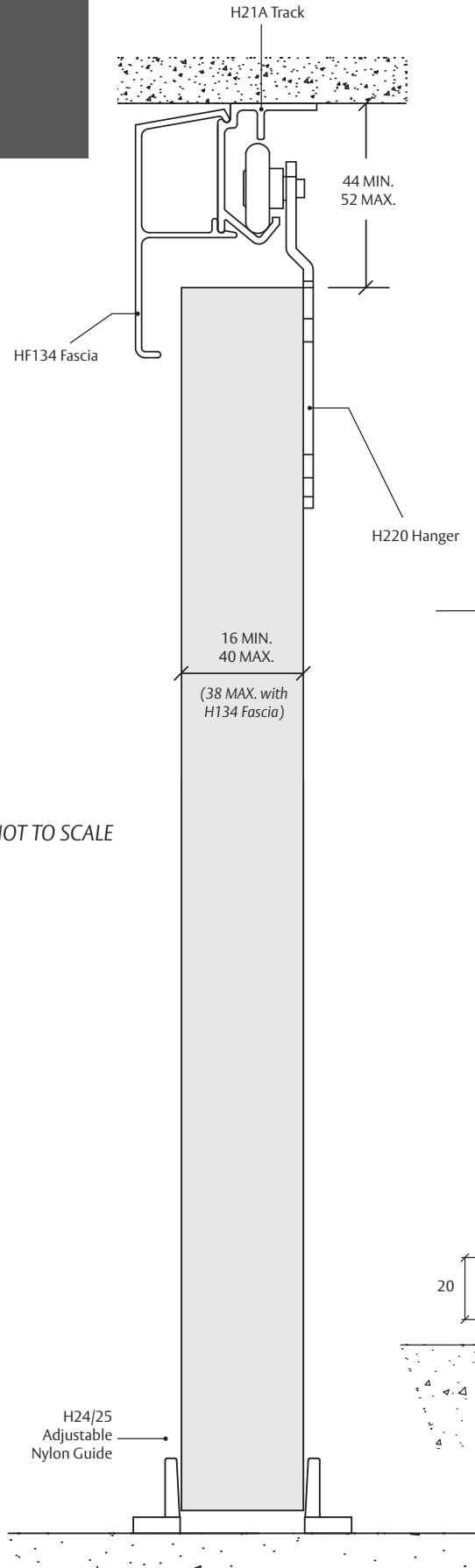
Track	H21A	Aluminium (3000mm length)
Hangers (2 per door)	H220	Outer offset hanger Nylon tyred wheel face fitted to the back of the door.
Door Stop	H28P	Rubber-buffered stop
Guides	H24/25	Nylon adjustable guide set <i>Included in sets and packs. Alternative guides available.</i>
Accessories		
Guides	H101N	Nylon saw cut guide
	H102N	Nylon saw cut guide
	H106SL/94	Spring loaded guide (suits H81X channel & H94FM channel)
	H113/81X	Nylon guide (suits H81X channel)
Channels	H81X	Aluminium channel (2400 & 3600mm lengths)
	H94FM	Aluminium channel (2000, 3000, 4000 & 6000mm lengths)
Pelmet	HF134/#	Fascia for soffit fixed applications for doors up to 38mm thick
	HF134/ECP	Fascia end cap pack
	HF138/#	Fascia for soffit fixed applications for doors up to 20mm thick
	HF138/ECP	Fascia end cap pack

Note: Replace # with 2000, 3000 & 4000mm lengths. All fascia anodised finish



HENDERSON

HENDERSON



DOUBLE TOP

For double track sliding wardrobe doors. Max 45kg.

APPLICATION

- For heavy duty applications – larger wardrobes and cupboards in hotels, schools and offices
- For timber, timber framed or composite doors
- Silent – nylon wheeled ball bearing hangers and aluminium track
- Easily adjusted door height
- Alternative guide channel systems available

DOOR SPECIFICATION

Track System Double Top

For Individual Doors:

Max Door Weight	45kg
Max Door Width	900mm
Door Thickness	16-40mm
Max Door Height	2400mm

STANDARD SETS AND PACK

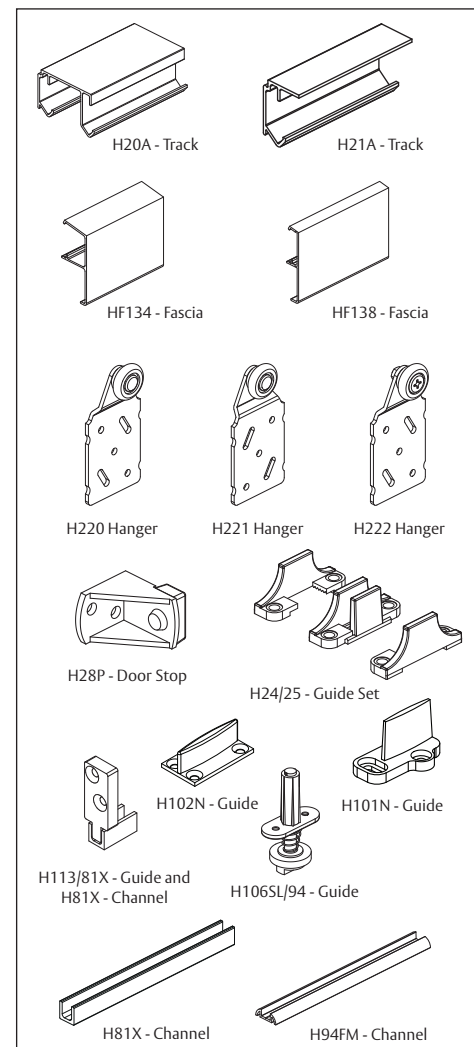
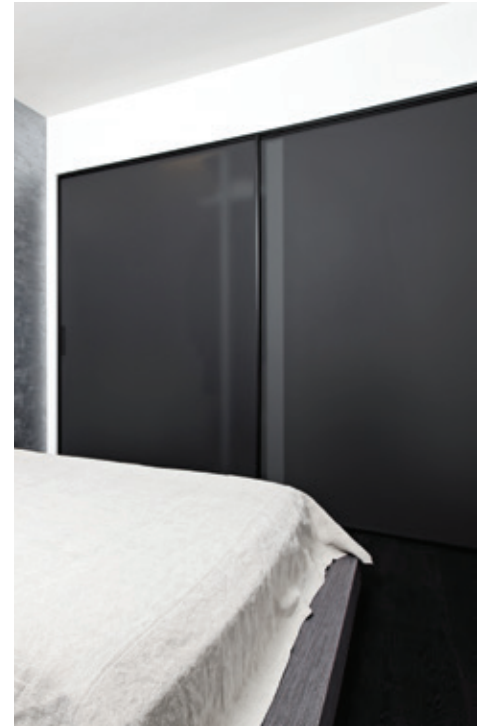
Sets comprise of jump-proof, face/soffit fixing aluminium section track, ball bearing hangers, nylon guides, rubber-buffered stop, all screws and fitting instructions.

Set No.	Opening width	Track length	Hardware for
HW12	1200mm	1200mm	2 doors
HW15	1500mm	1500mm	2 doors
HW18	1800mm	1800mm	2 doors
HW24	2400mm	2400mm	3 doors

Pack No.	Application
HW01	Single door fittings pack
HW02	Two door fittings pack

HARDWARE SPECIFICATION

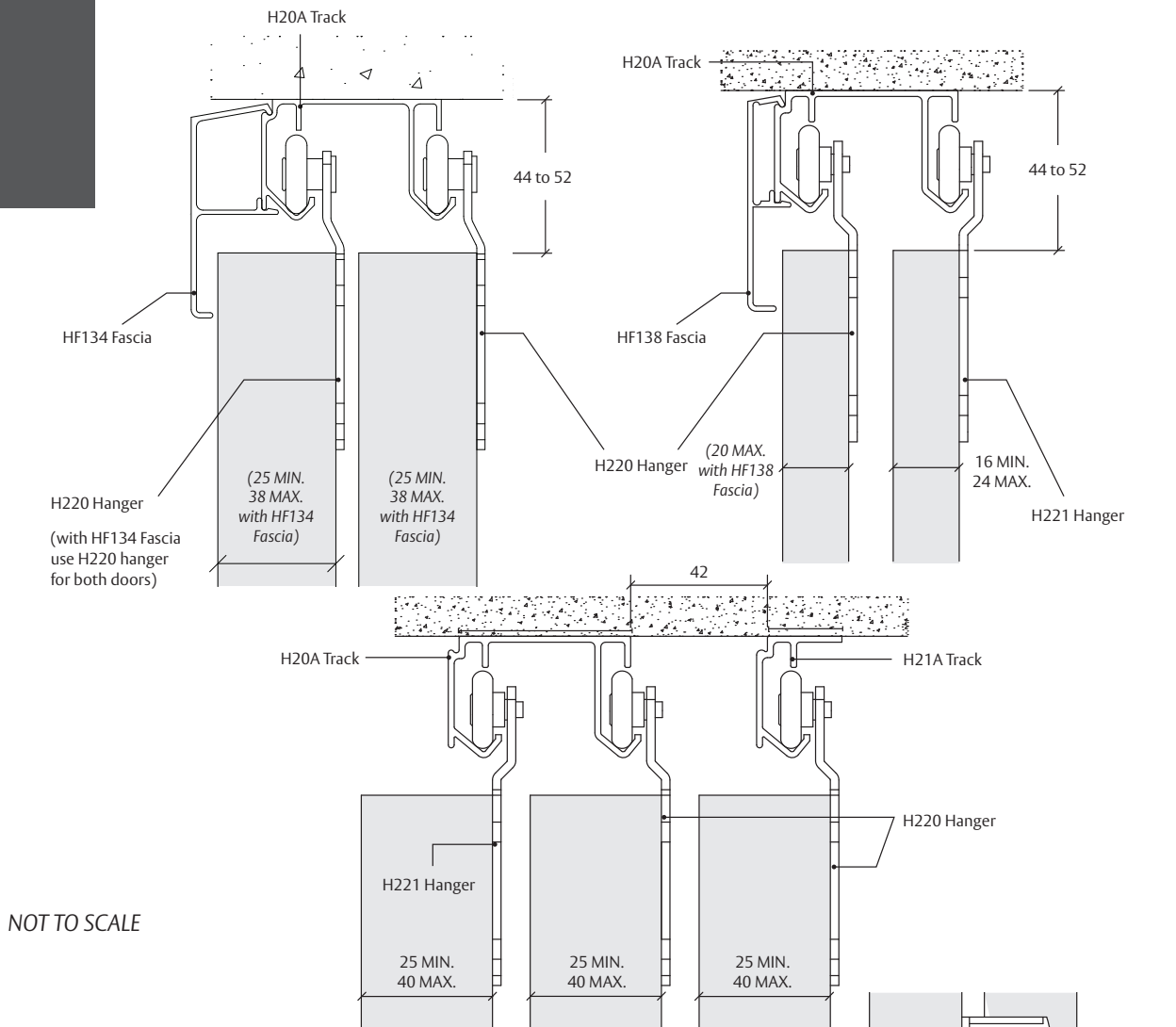
Track	H20A	Aluminium (3000mm length)
Hangers (2 per door)	H220	Outer offset hanger
	H221	Inner offset hanger
	H222	Reversible offset hanger
Door Stop	H28P	Rubber-buffered stop
Guides	H24/25	Nylon adjustable guide set 1 guide set for 2 doors, 2 sets for 3 doors. Included in door sets and packs. Alternative guides available.
Accessories		
Track	H21A	Aluminium single track (3000mm length)
Guides	H101N	Nylon saw cut guide
	H102N	Nylon saw cut guide
	H106SL/94	Spring loaded guide (suits H81X channel & H94FM channel)
	H113/81X	Nylon guide (suits H81X channel)
Channels	For heavy duty applications or where more than 3 doors are required per opening	
	H81X	Aluminium channel (2400 & 3600mm lengths)
	H94FM	Aluminium channel (2000, 3000, 4000 & 6000mm lengths)
Pelmet	HF134/#	Fascia for soffit fixed applications for doors up to 38mm thick
	HF134/ECP	Fascia end cap pack
	HF138/#	Fascia for soffit fixed applications for doors up to 20mm thick
	HF138/ECP	Fascia end cap pack
	Note: Replace # with 2000, 3000, 4000mm lengths. All fascia anodised finish	



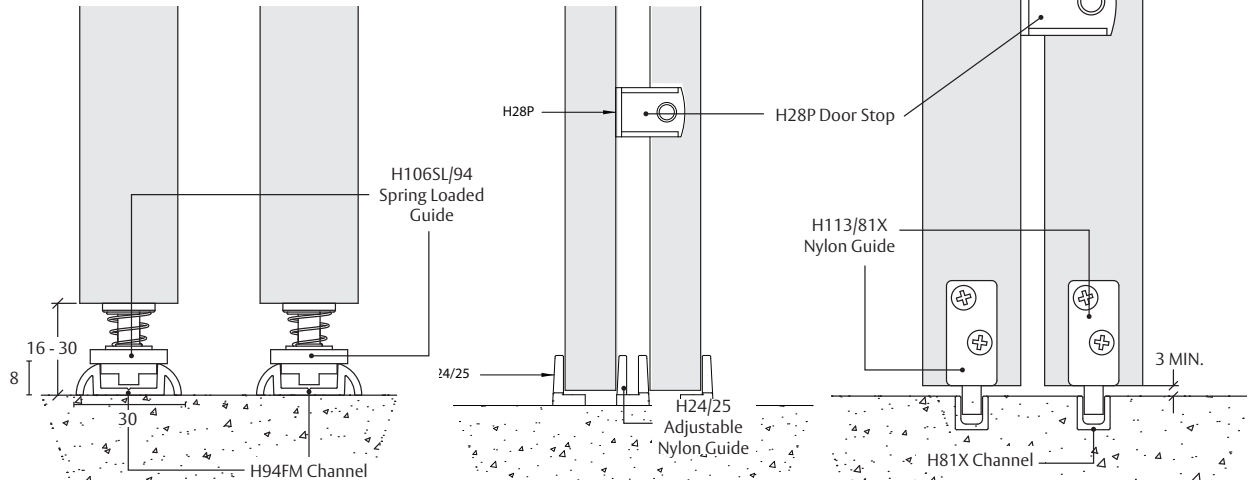
HENDERSON



HENDERSON

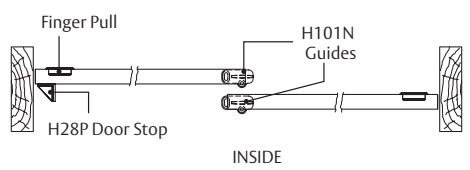


NOT TO SCALE

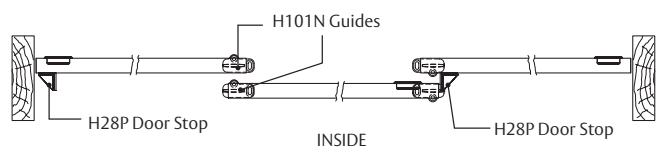


Double Top – 2 Door Application

Double Top – 3 Door Application



INSIDE



INSIDE

MARATHON 55 & 90

For sliding doors. Max 55kg or 90kg.

APPLICATION

- Used for heavy-duty domestic and light commercial applications, doors and partitions
- For timber, timber framed or composite doors
- Easily adjusted door height
- Simultaneous action option
- Fire door kit option available for Marathon 90

DOOR SPECIFICATION

Track System	Marathon 55	Marathon 90
For Individual Doors:		
Max Door Weight	55kg	90kg
Max Door Width	1500mm	1500mm
Door Thickness	32-50mm	32-50mm
Max Door Height	3000mm	3000mm

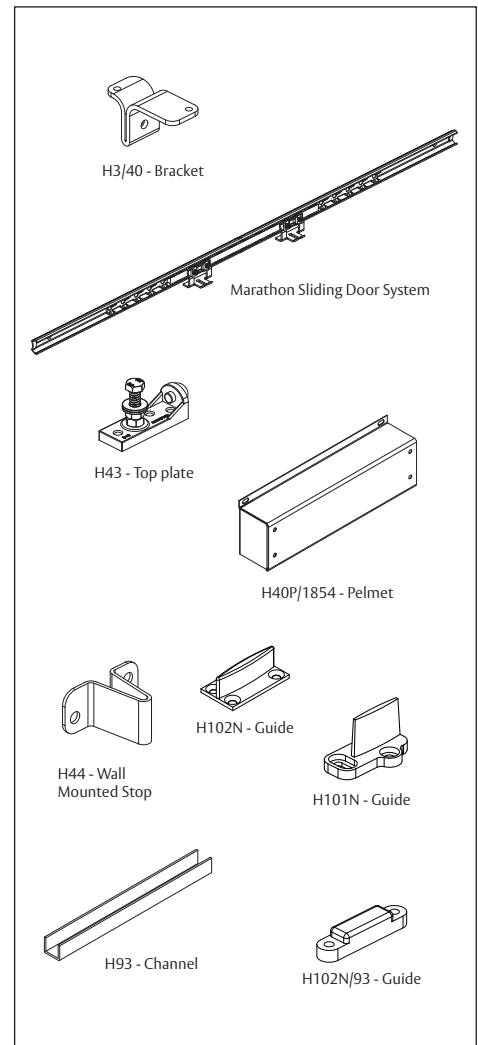
STANDARD SETS AND PACK

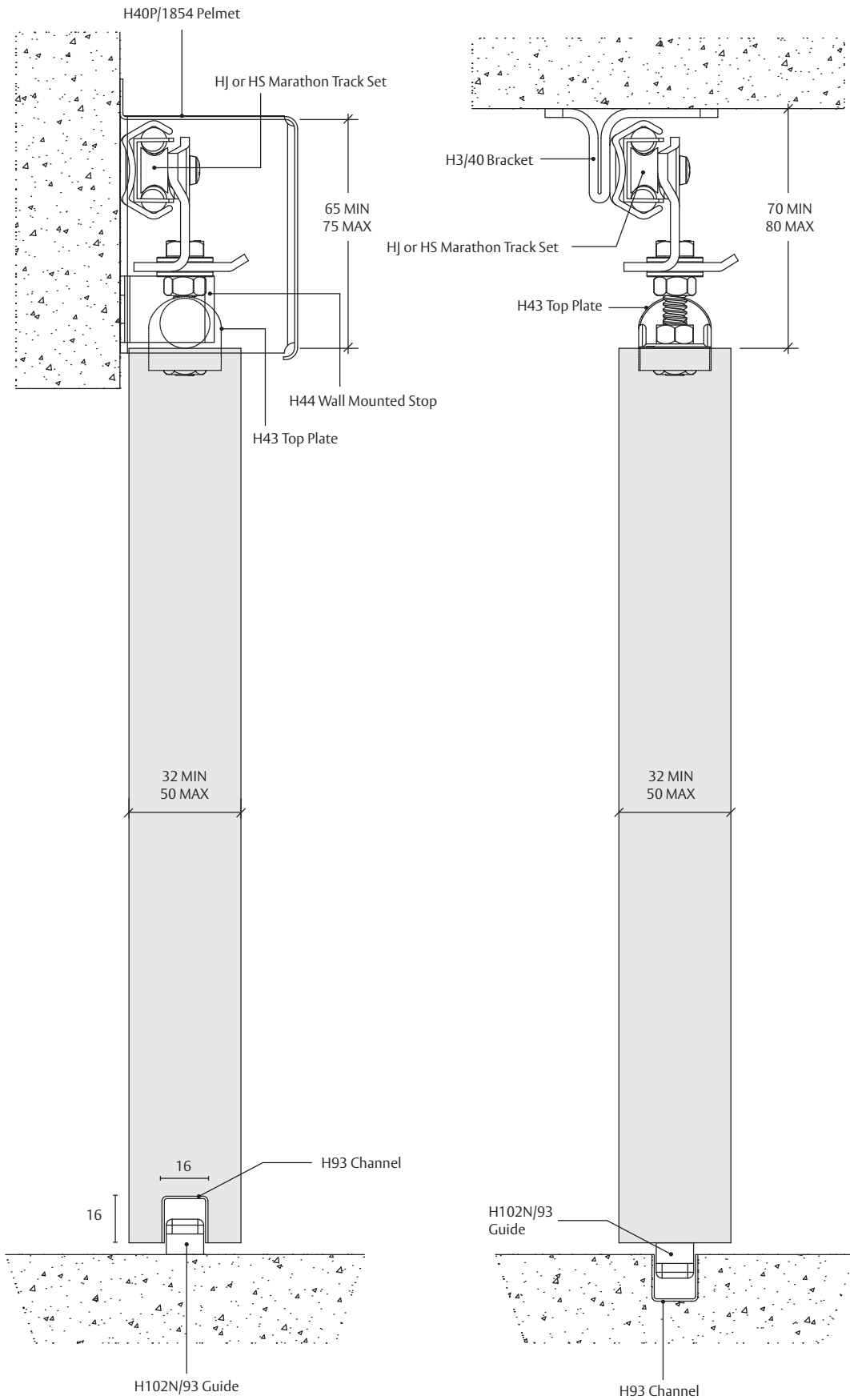
Sets comprise of top assembly, nylon top plates, floor guide, nylon, channel, wall mounted stop, all screws and fitting instructions.

Marathon 55 Set No.	Marathon 90 Set No.	Door width	Track length	Hardware for
HJ2	HS2	400-750mm	1219mm	1 door
HJ3	HS3	750-900mm	1473mm	1 door
HJ4	HS4	900-1050mm	1702mm	1 door
HJ5	HS5	1050-1200mm	1981mm	1 door
HJ6	HS6	1200-1500mm	2438mm	1 door

HARDWARE SPECIFICATION

Top plate (2 per door)	H43	Nylon top plate with integral buffer (<i>not supplied with bolt</i>)
Stop	H44	Wall mounted stop
Guides	H101N H102N H102N/93	Nylon saw cut guide Nylon saw cut guide Floor mounted channel guide
Channels	H94X	Aluminium (<i>2000, 3000, 4000 & 6000mm lengths</i>)
Accessories		
Self closing kit	H5CK1	For doors up to 60kg
Pelmet	H40P/1854	Galvanised fascia for face fixed applications (<i>HJ3 and HS3 sets only</i>)
	HEC40P	Galvanised fascia end cap
	H40P/1854	Galvanised fascia for face fixed applications (<i>HJ3 and HS3 sets only</i>)
Bracket	H3/40	Soffit fix brackets (<i>pack of 5</i>)
Fire door kit	HFDK1	Self closing fire door kit. For use in conjunction with Marathon kits S3, S4, S5 & S6 (<i>purchased separately</i>)
	HFDK2	Non-self closing fire door kit. For use in conjunction with Marathon kits S3, S4, S5 & S6 (<i>purchased separately</i>)
Simultaneous Action Kit	H23	For biparting doors up to 60kg





HENDERSON

RUSTIC 80

For top hung interior sliding timber doors. Max 80kg each leaf.

APPLICATION

- Traditional system for timber doors that creates that old fashioned look
- Exposed steel straps fasten down the front of the door to support that rustic finish whilst the beautiful crafted hangers run smoothly along a flat bar track
- Matt black powdercoat or stainless steel finish (stainless steel is 304 grade suitable for internal use)
- Nylon bearing wheels provide a smooth and silent running
- Stops are position on the track to limit door travel

DOOR SPECIFICATION

Track System	Rustic 80
For Individual Doors:	
Max Panel Weight	80kg
Min Panel Width	500mm
Max Panel Width	1500mm
Panel Thickness	36-46mm
Max Panel Height	3000mm

STANDARD SETS AND PACK

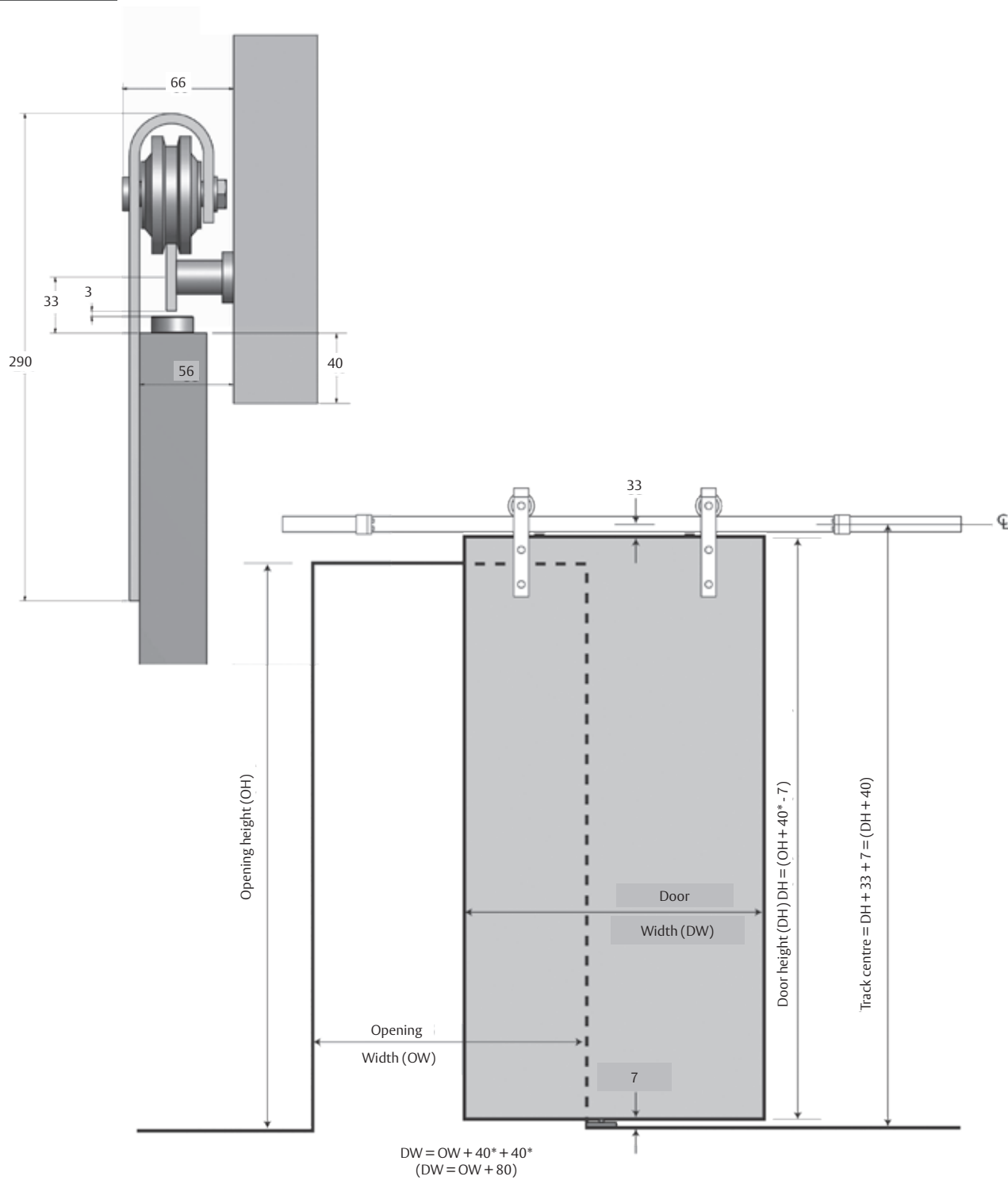
Sets comprise of 2 x hangers, 2 x door stops, 2 x flush pulls, 1 x floor guide, 1 x flat track (2M or 3M) track wall spacers and fixings for solid walls.

Set No.	Opening Width	Track Length	Hardware for
HR80/20	1000mm	2000mm	1 door
HR80/30	1500mm	3000mm	1 door





HENDERSON



*PCH Suggests 40mm overlap of the door to the opening.

All dimensions in mm.

SIROCCO SELF CLOSING SYSTEM

For sliding timber and metal doors. Max. 80kg.

APPLICATION

- Suitable for both domestic and commercial interior applications
- Designed to give a smooth and quiet operation, with a hydraulically controlled soft close feature
- Adjustable closing speed feature
- Door brake to reduce opening speed to prevent damage to the door and system
- Operational between temperature ranges of -10°C to 40°C
- Optional hold open unit giving adjustable time delay before self closing

DOOR SPECIFICATION

Track System	Sirocco
For Individual Doors:	
Max Door Weight	80kg
Min Door Width	800mm
Max Door Width	1200mm
Door Thickness	30-46mm

STANDARD SETS AND PACK

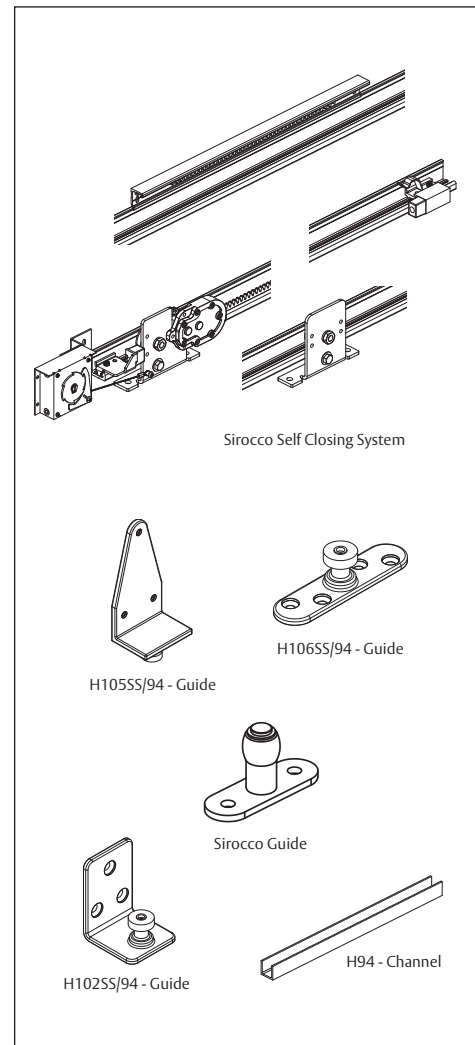
Sets comprises of aluminium track (2200mm), hangers, hydraulic control unit, power spring unit, door stops, guides, roller, all screws and fitting instructions.

Pack No.	Application
HSIRRH	Right Hand Opening
HSIRLH	Left Hand Opening
HDELRH	Delayed Closing Timer – Right Hand
HDELLH	Delayed Closing Timer – Left Hand

HARDWARE SPECIFICATION

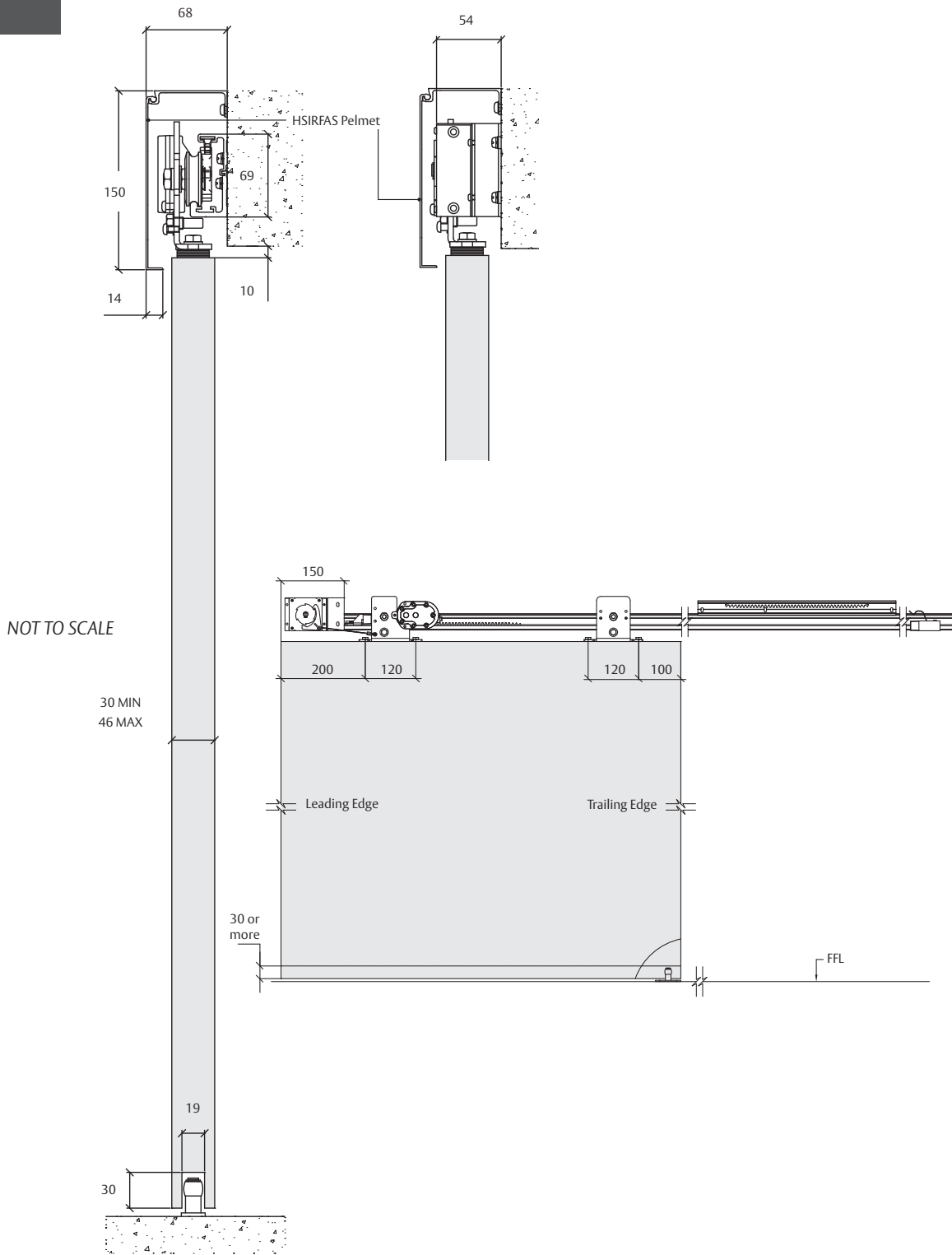
Guides	H102SS/94	Timber doors - wall mounted and multiple run guide
	H105SS/94	Timber doors - face mounted guide
	H106SS/94	Timber doors - concealed fixing with SS bearing
Channels	H94X	Aluminium (2000, 3000, 4000 & 6000mm lengths)
	H94	Brass (4000 & 6000mm lengths)
	H94P	Polypropylene (2000, 3000, 4000 & 6000mm lengths)
	H94PSC	Aluminium supporting channel and polypropylene (2000, 3000, 4000 & 6000mm lengths)

Accessories





HENDERSON



B100b
530F-2-0619

ASSA ABLOY New Zealand Ltd. PO Box 100407, North Shore, Auckland 0745 • 6 Armstrong Road, Albany, Auckland 0632, New Zealand
Within New Zealand: Tel 09 448 9188 Fax 415 7889 www.assaabloy.co.nz • Online Catalogue: www.assaabloycatalogue.co.nz

The global leader in door opening solutions

ASSA ABLOY

HUSKY 50 & 100

straight
sliding
top hung
systems

For sliding timber and metal doors. Max. 50kg or 100kg.

APPLICATION

- Ideally suited for room dividers and wardrobe doors
- Quiet operation – galvanised steel or aluminium track with nylon rollers
- Suitable for timber, timber framed, composite or metal framed doors

DOOR SPECIFICATION

Track System	Husky 50	Husky 100
For Individual Doors:		
Max Door Weight	50kg	100kg
Max Door Width	1250mm*	1250mm*
Door Thickness	20-50mm	20-50mm
Max Door Height	2400mm	2400mm

*Max door width using Husky sets. Wider doors can be accommodated by ordering track and door components separately.

STANDARD SETS AND PACK

Sets comprise of aluminium track, 2x hangers, 1x clip stop, 1x track stop, 1x saw cut guide, face fix brackets, all screws & fitting instructions.

Husky 50 Steel	Husky 100 Steel	Husky 50 Aluminium	Husky 100 Aluminium	Track Length	Hardware For
H50/15	H100/15	H50/15A	H100/15A	1500mm	1 door
H50/18	H100/18	H50/18A	H100/18A	1800mm	1 door
H50/20	H100/20	H50/20A	H100/20A	2000mm	1 door
H50/24	H100/24	H50/24A	H100/24A	2400mm	1 door

Pack No.	Application
H50N	Single door fittings pack 50kg.
H100	Single door fittings pack 100kg.

HARDWARE SPECIFICATION

Track	H280	Steel (2000, 3000, 4000 & 6000mm lengths)
	H280A	Aluminium (2000, 3000, 4000 & 6000mm lengths) Soffit fix spacing 275mm centres (maximum)
Brackets	H281	Face fixed steel (for steel track)
	H281A	Face fixed aluminium (for aluminium track)
	H281AX	End and jointing bracket aluminium (for aluminium track) Spacing 275mm centres (maximum)
Hangers (2 per door)*	H284N	Nylon bodied, acetal wheel hangers (Husky 50)
	H284	Nylon bodied, needle roller bearings 4-wheel hangers (Husky 100)

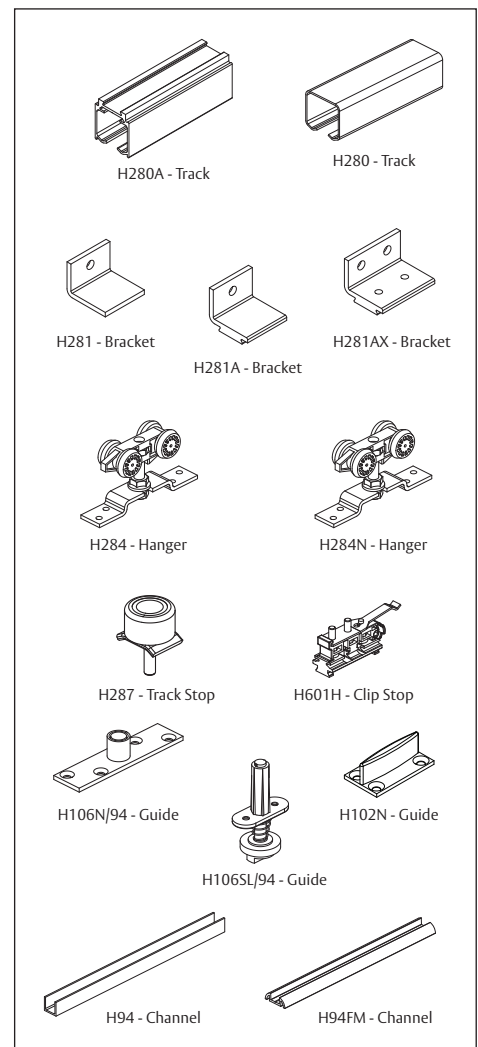
*Each panel must be rigid enough to be supported by only two hangers

Clip Stop	H601H	Adjustable retaining stop
Track Stop	H287	Rubber buffer stop
Guides	H102N	Nylon saw cut guide
	H106N/94	Roller guide. Steel plate with nylon roller
	H106SL/94	Spring loaded guide (suits H81X channel & H94FM channel)
Channels	H94FM	Aluminium (2000, 3000, 4000 & 6000mm lengths)
	H94X	Aluminium (2000, 3000, 4000 & 6000mm lengths)

Accessories

Fascia	HF134/#	Fascia for soffit fixed applications for doors up to 50mm thick
	HF134/ECP	Fascia end clip pack
	HF138/#	Fascia for soffit fixed applications for doors up to 25mm thick
	HF138/ECP	Fascia end clip pack
	HF140/#	Fascia for face fixed applications for doors up to 50mm thick (includes end caps)

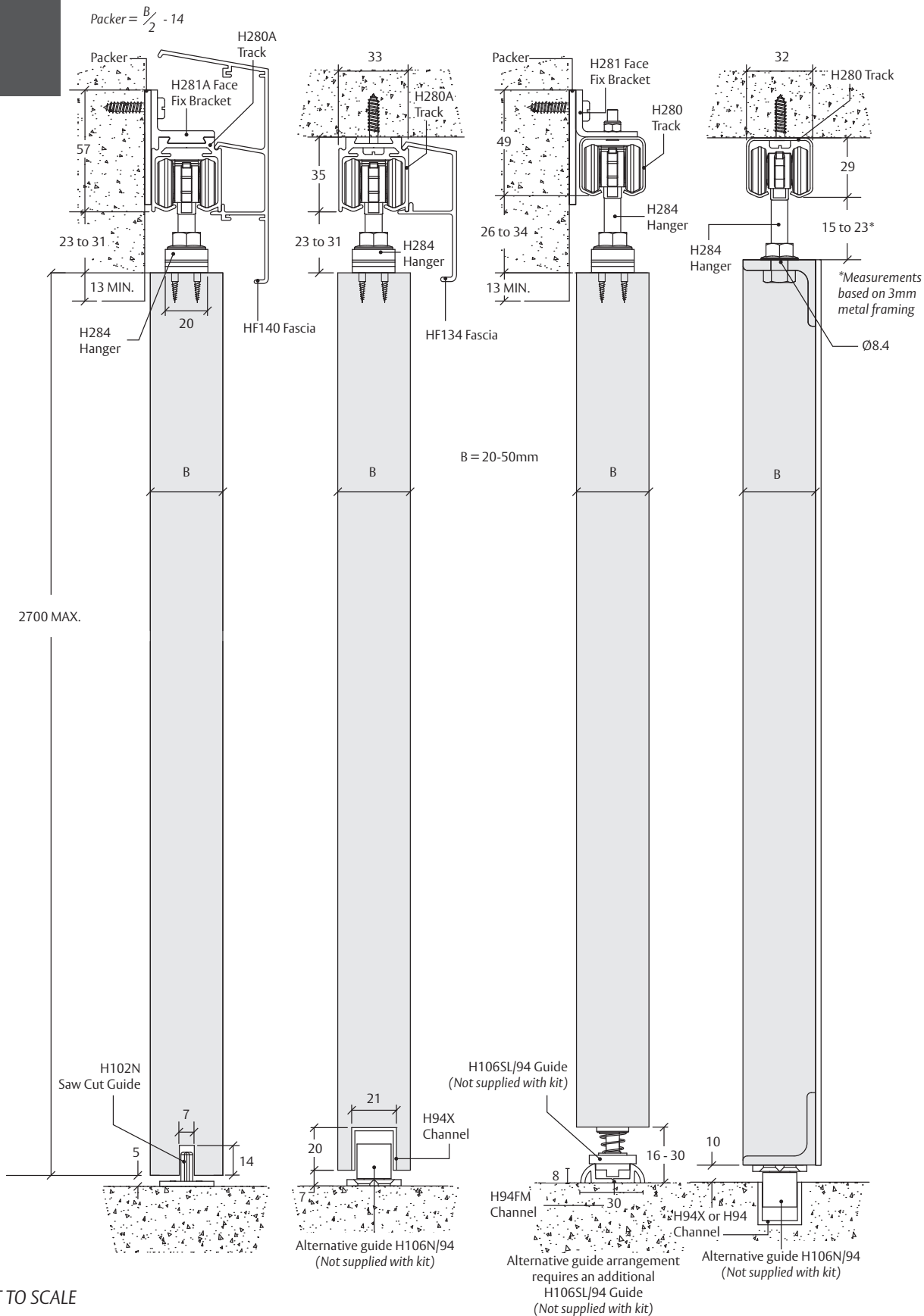
Note: Replace # with 2000, 3000, 4000 & 6000*mm lengths. *HF140 only



HENDERSON

Aluminium Track

Steel Track



UNIVERSAL TELESCOPIC

Maximum door weight:

Husky = 80kg each. Soltaire 120 = 120kg

APPLICATION

- All doors connected to universal telescopic systems will traverse simultaneously
- The door leaves are linked together via toothed belt and pulley system
- The universal telescopic HUTEL/2 & 80/3 HUTEL/3 allow 2 & 3 door leaves to be concealed in one wall on
- The same side maximising the opening and reducing the wall space required
- The door leaves are linked together via a toothed belt and pulley
- The telescopic system is non-handed

DOOR SPECIFICATION

Track System	Husky	Soltaire
Max Door Weight	80kg	120kg
Min Door Width	500mm	500mm
Max Door Width	1200mm	120mm
Door Thickness	32-47mm	35-47mm

HARDWARE SPECIFICATION

HUTEL/2 2 Door Kit (contains)

- 1 x Short bearing
- 1 x Door mounted belt fixing bracket
- 1 x Length of toothed belt
- 1 x Following door guide
- 1 x Fixed base floor guide
- 1 x Long bearing wheel assembly
- 1 x Wall mounted belt fixing

HUTEL/3 3 Door kit (contains)

- 2 x Short bearing
- 2 x Door mounted belt fixing bracket
- 2 x Length of toothed belt
- 2 x Following door guide
- 1 x Fixed base floor guide
- 2 x Long bearing wheel assembly
- 1 x Wall mounted belt fixing

Required extras

Hangers

- Husky **H284**
- Soltaire **H51/120/SS**

Track Stops

- Husky **H287 or H601**
- Soltaire **HHH4/SS**

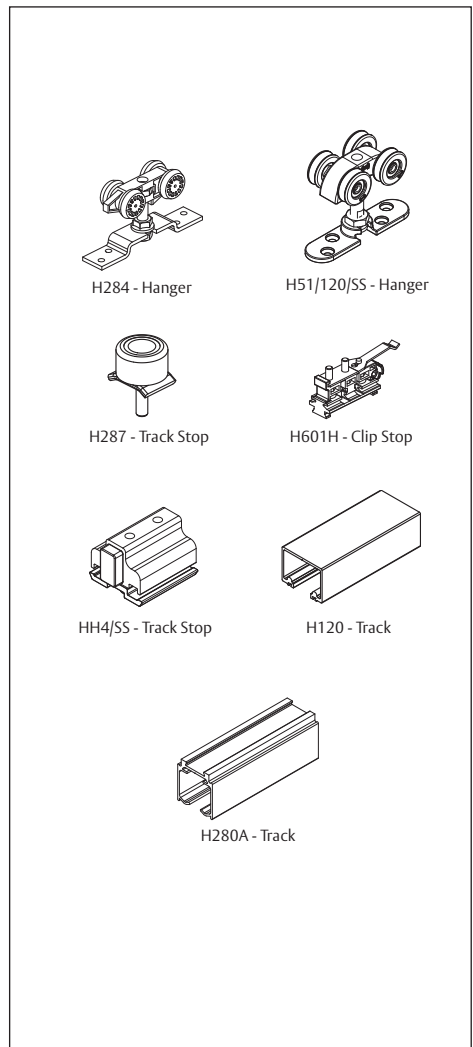
Track

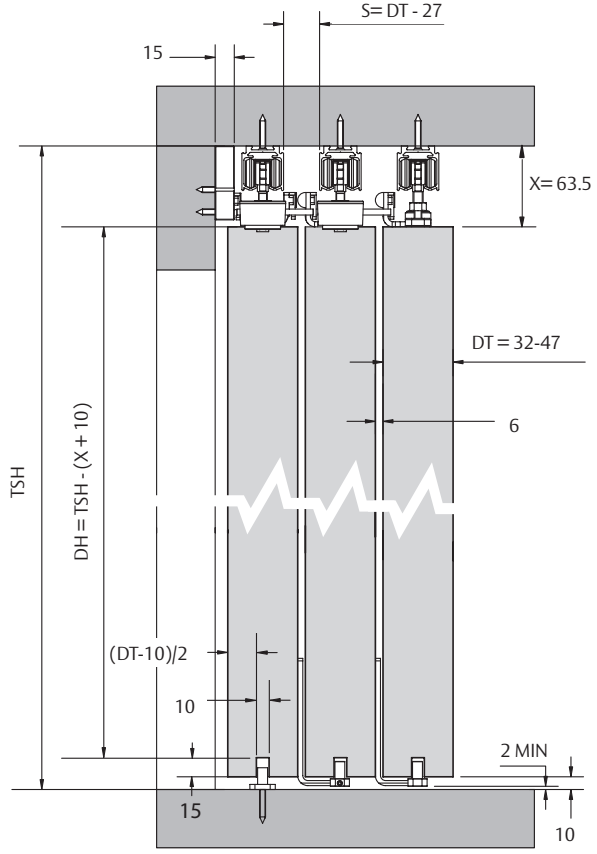
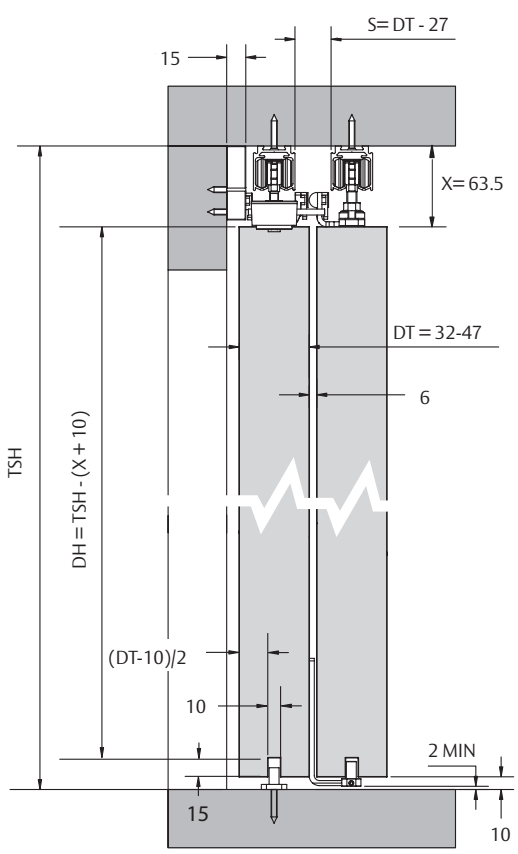
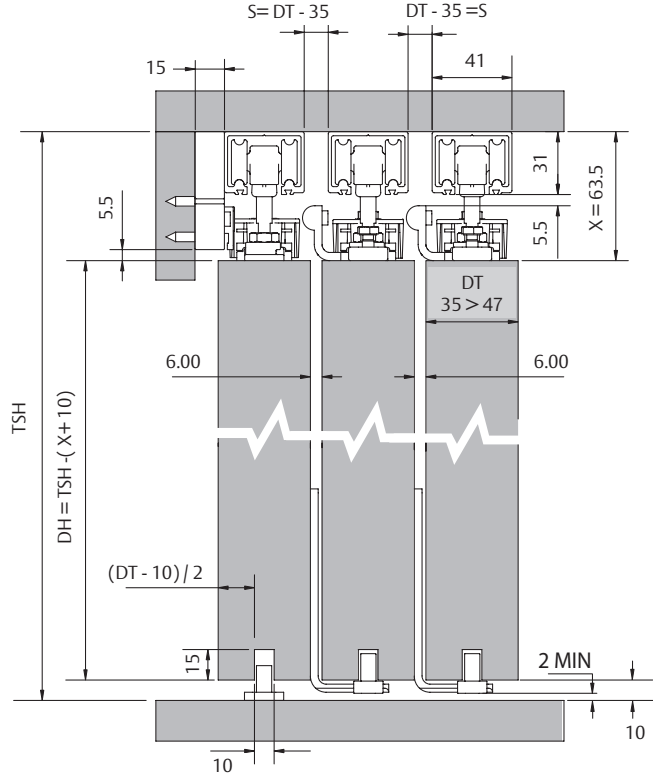
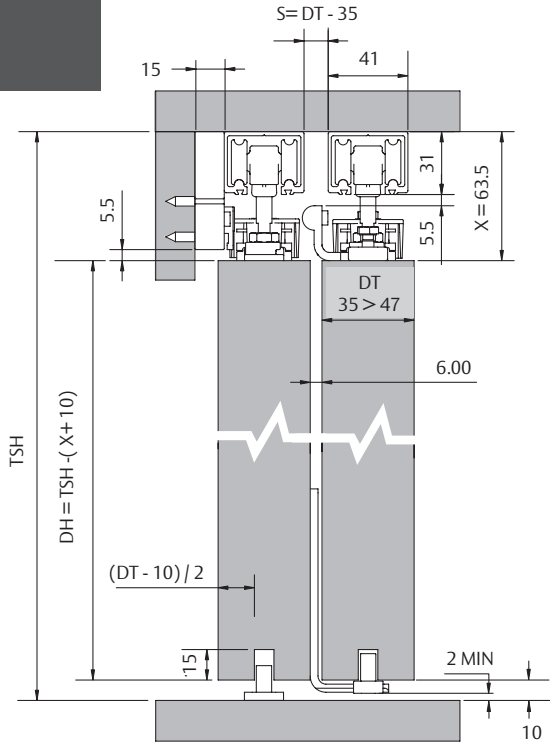
- Husky **H280A**
Available in 2000,3000, 4000 & 6000mm lengths.

Soltaire

- H120A**
Available in 2000,3000, 4000 & 6000mm lengths.

For guides and other accessories please see data sheets Husky 100 & Soltaire 120.





SIM 100 (for Husky)

Simultaneous action kit for bi-parting doors. Max. 100kg.

APPLICATION

- Designed for internal bi-parting panels
- To be used in conjunction with the Husky 100 system
- For internal partition bi-parting timber, timber framed or composite panels
- Kit can be retro fitted to existing installations
- Ideal for pairs of doors opening in to pocket walls
- For use with either steel or aluminium Husky track
- The system uses polypropylene coated cable for quiet operation, plastic pulley wheels rotating on ball bearings to provide reliable operation and a tension spring providing smooth operation

DOOR SPECIFICATION

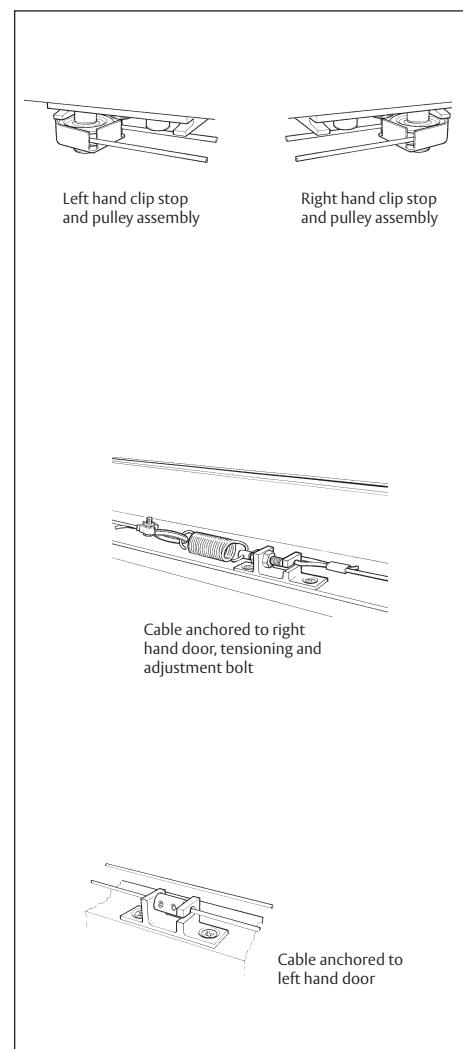
Simultaneous Action Kit	SIM 100
Max Door Weight	100kg
Minimum Door Weight	25kg
Max Door Width	1250mm
Door Thickness	25-50mm
Max Door Height	2400mm
Door Material	Timber

STANDARD SETS AND PACK

Set No.	Opening width	Hardware for
SIM100	2400mm	2 doors

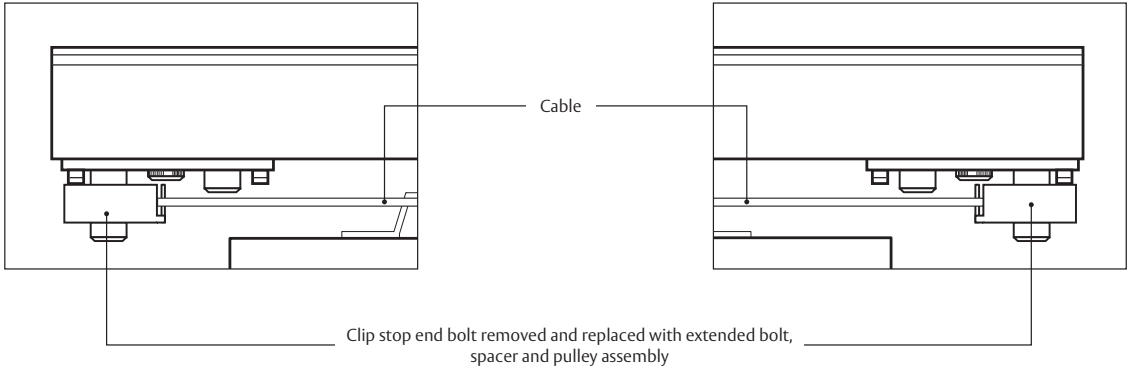
SET COMPRISES OF

- 1 Polypropylene coated cable with 1 Fixed loop
- 2 Pulley assemblies with extended bolts
- 1 Adjuster bolt with nut
- 1 RH door bracket
- 1 LH door bracket
- 1 Cable collar with grub screws
- 1 Thimble inset
- 1 Cable clamp
- 1 Spring
- 1 Fitting instructions



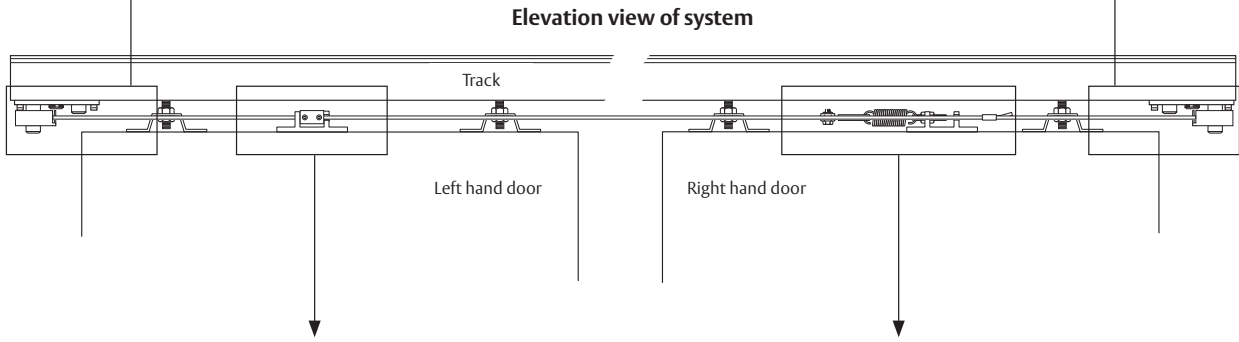


HENDERSON



Left hand clip stop and pulley assembly

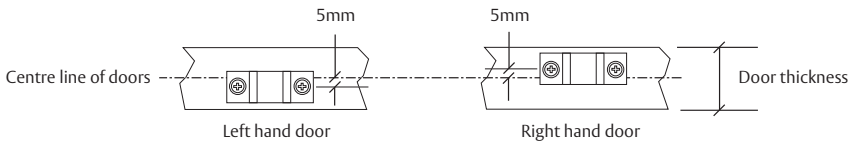
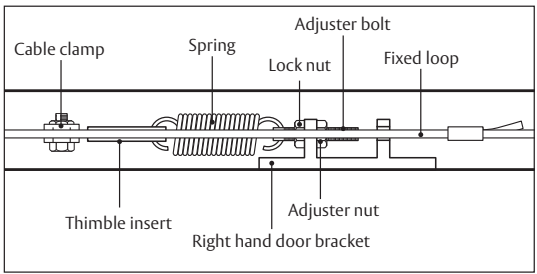
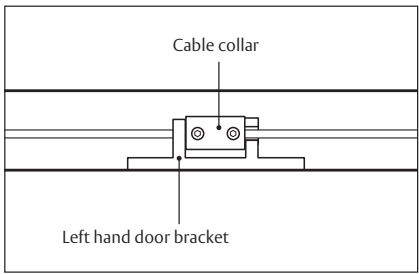
Right hand clip stop and pulley assembly



Elevation view of system

Cable anchored to left hand door

Cable anchored to right hand door, tensioning and adjustment bolt



HUSKY LOW HEADROOM 100

For timber top hung sliding doors. Max 100kg.

APPLICATION

- Designed to create a modern minimalist finish with all parts concealed
- Can reduce the clearance between the track and the top of the door to 2mm
- Vertically adjustable sliding door kit for low or restricted headroom applications
- Designed to accommodate single or multiple panels on one or more tracks
- Used to maximise door height
- Engineered for easy installation and adjustment

DOOR SPECIFICATION

Track System **Low Headroom 100**

For Individual Door Leaves:

Max Door Weight	100kg
Door Thickness	34-50mm*
Max Door Height	2700mm

*For doors thicker than 50mm, please contact our technical sales team for further information.

STANDARD SETS AND PACK

Sets comprise of 2x Low Headroom units, 2x end caps, 2x clip stops, 1x saw cut guide, all screws and fitting instructions.

Pack No.	Application
HLH100	1 door pack

HARDWARE SPECIFICATION

Track	H280A	Aluminium (2000, 3000, 4000 & 6000mm lengths)
	H280AN	Anodised Aluminium (2000, 3000, 4000 & 6000mm lengths)

Soffit fix spacing 275mm centres (maximum)

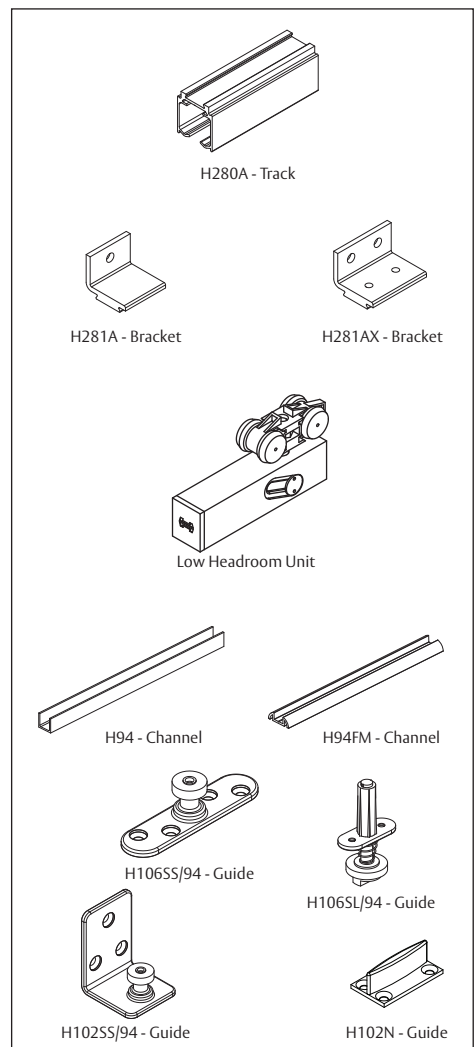
Brackets	H281A	Face fixed aluminium
	H281AX	End and jointing bracket aluminium
	H2815A	Bracket pack, 5 piece pack includes 2x H281AX Spacing 275mm centres, use H281AX at either end of track

Guides	H102N	Nylon saw cut guide
	H102SS/94	Timber doors - for multiple runs of doors
	H106SL/94	Spring loaded guide
	H106SS/94	Timber doors - concealed fixing with SS bearing

Channels	H94X	Aluminium (2000, 3000, 4000 & 6000mm lengths)
	H94FM	Aluminium (2000, 3000, 4000 & 6000mm lengths)
	H94P	Polypropylene (2000, 3000, 4000 & 6000mm lengths)
	H94PSC	Aluminium supporting channel and polypropylene (2000, 3000, 4000 & 6000mm lengths)

Accessories

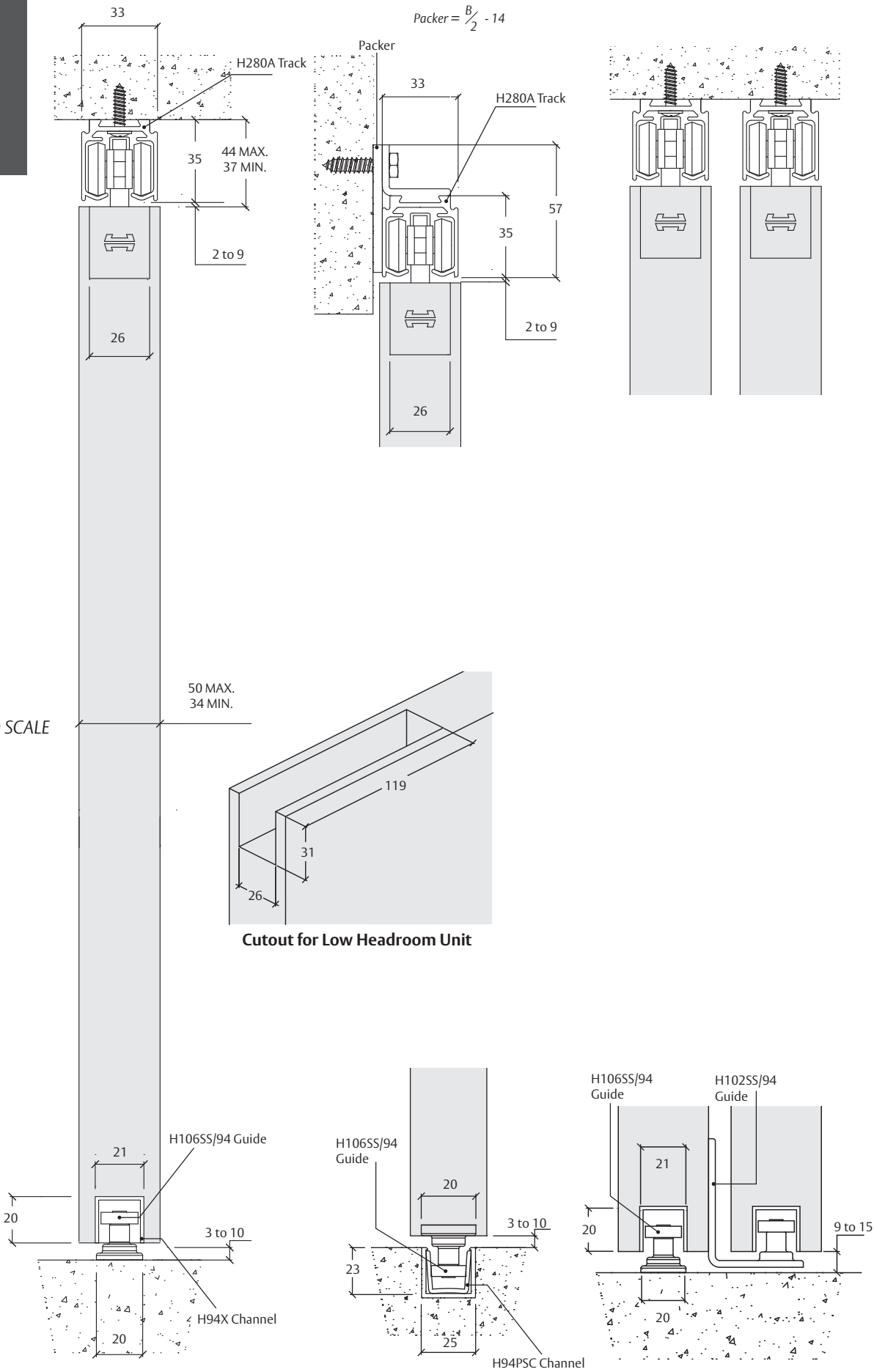
Interlocking Seal	H59BZ/4800	Bronze anodised (4800mm to suit typical 2400mm door height)
	H59CA/4800	Clear anodised aluminium (4800mm to suit typical 2400mm door height) Drilled and countersunk. Includes brush seal.





HENDERSON

NOT TO SCALE



SOLTAIRE 120

straight
sliding
top hung
systems

For top hung sliding doors. Max 120kg each.

APPLICATION

- Manufactured from high grade 316 stainless steel with anodised aluminium track
- This reliable system is extremely durable and ideal for coastal applications, heavy use or areas requiring a high level of corrosion resistance
- Designed for interior and exterior doors up to 120kg
- Ideal for residential or commercial applications
- Designed to accommodate single or multiple panels on one or more tracks
- Hangers available for MDF, timber or metal doors
- The track can be soffit fixed or face fixed to give flexibility of installation
- Optional telescopic kit links passing panels allowing them to traverse simultaneously
- Optional soft stop damper gently decelerates the door and draws into the open or closed position

DOOR SPECIFICATION

Track System Soltaire120

For Individual Doors:

Max Door Weight	120kg
Door Thickness	19-48mm*
Max Panel Height	3000mm

*For doors thicker than 48mm, please contact our technical sales team for further information.

HARDWARE SPECIFICATION

Track	H120N	Track no brush, Anodised Aluminium (2, 3, 4, 6mtr lengths)
	H120A	Track for brush strip anodised Aluminium (2, 3, 4, 6mtr lengths) Soffit fix spacing 600mm centres (maximum)

Brush Strips **HBS10, HBS15, HBS20, HBS25** Available in black in 4 brush heights, by the metre

Brackets	H1/SS	Face fixed stainless steel
	H5/SS	Double run face fixed stainless steel Starting 20mm from end of track fix at 600mm maximum centres.

Hangers (2 per door)*	H51/120/SS	Timber Doors – top fix – surface mounted
	H52/120/SS	MDF Doors – face fixing
	H56/120/SS	Metal Doors – angle frame fixing
	H57/120/SS	Timber Doors – concealed plate fixing

*Each panel must be rigid enough to be supported by only two hangers

Track Stop **HH4/SS** Anodised aluminium with rubber buffer

Guides	H101N	Nylon saw cut guide
	H102SS/94	Timber doors - wall mounted and multiple run guide
	H104P/89	Metal door - angle frame
	H104PX/89	Metal door - box section
	H105SS/94	Timber doors - face mounted guide
H106SS/94	Timber doors - concealed fixing with SS bearing	

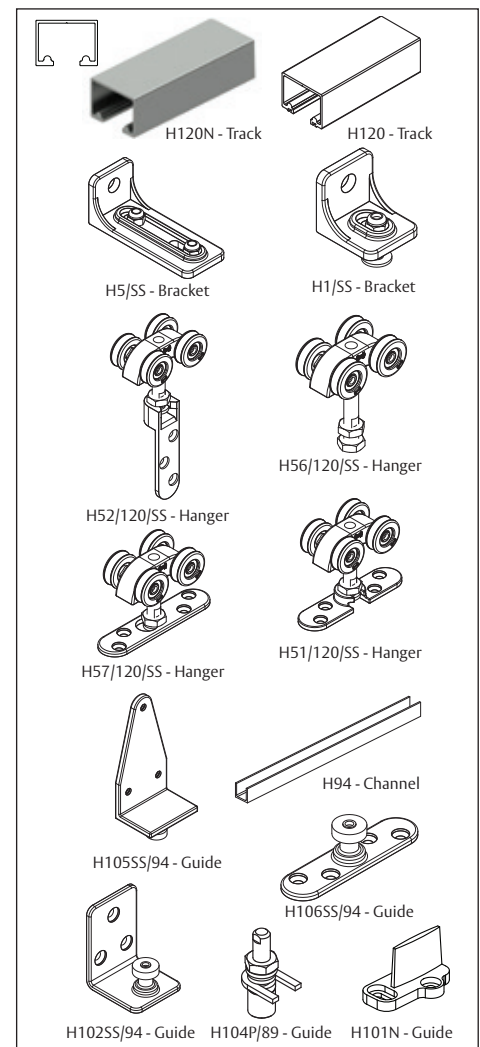
Channels	H89SS	Stainless steel (2000 & 3000mm length)
	H94X	Aluminium (2000, 3000, 4000 & 6000mm lengths)
	H94	Brass (1500 & 3000mm lengths)
	H94P	Polypropylene (2000, 3000, 4000 & 6000mm lengths)
	H94PSC	Aluminium supporting channel and polypropylene (2000, 3000, 4000 & 6000mm lengths)

Accessories

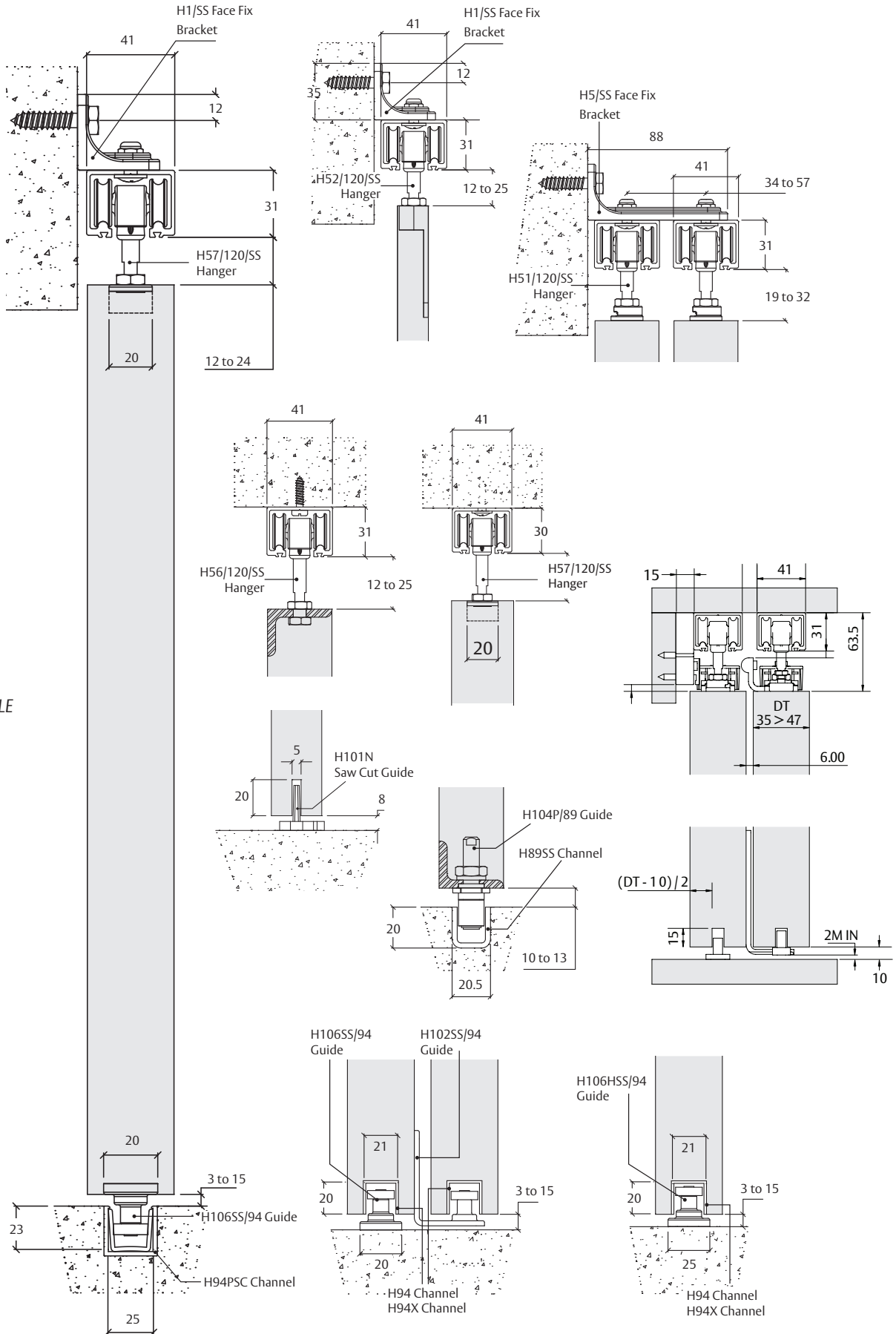
Interlocking Seal	H59BZ/4800	Bronze anodised (4800mm to suit typical 2400mm door height)
	H59CA/4800	Clear anodised (4800mm to suit typical 2400mm door height) Drilled and countersunk. Includes brush seal.

Universal Telescopic	HUTEL/2	2 Door kit non-handed
	HUTEL/3	3 Door kit non-handed

Soft Close Damper and Hanger Kit	H57D80	Single damper kit, incl 2 x 57 hangers and 2 x stops
	H57D80D	Double damper kit, incl 2 x 57 hangers and 2 x stops (max door weight with soft close is 80kg)



HENDERSON



NOT TO SCALE

SOLTAIRE LOW HEADROOM 120

straight
sliding
top hung
systems

For timber top hung sliding doors. Max 120kg.

APPLICATION

- Designed to create a modern minimalist finish with all parts concealed
- Can reduce the clearance between the track and the top of the door to 2mm
- Vertically adjustable sliding door kit for low or restricted headroom applications
- Used to maximise door height
- Engineered for easy installation and adjustment
- Designed to accommodate single or multiple panels on one or more tracks

DOOR SPECIFICATION

Track System **Low Headroom 120**

For Individual Door Leaves:

Max Door Weight	120kg
Door Thickness	35-48mm*
Max Door Height	2700mm

*For doors thicker than 48mm, please contact our technical sales team for further information.

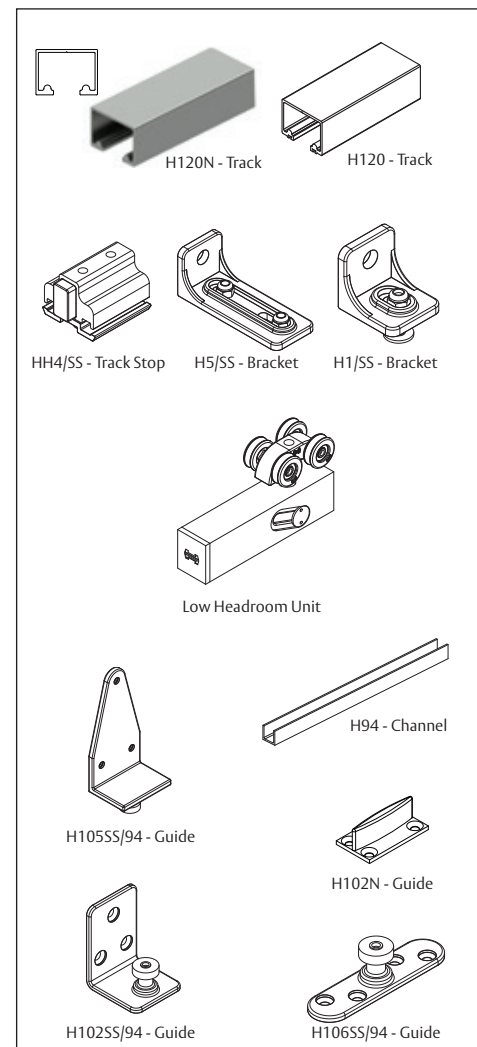
STANDARD PACK

Pack comprises of 2x Low Headroom units, 2x end caps, 2x track stops, all screws and fitting instructions.

Pack No.	Application
HLH120	1 door pack

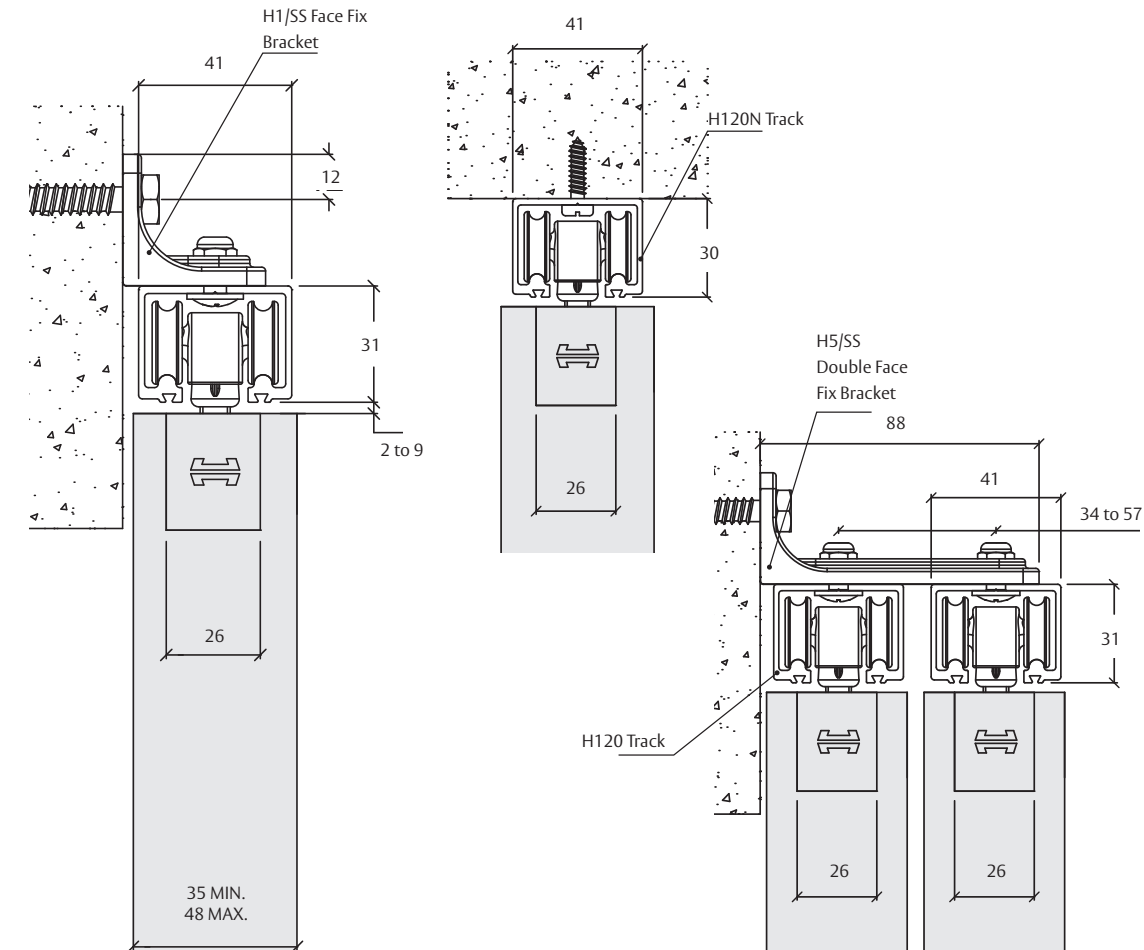
HARDWARE SPECIFICATION

Track	H120N	Track no brush strip, anodised aluminium (2000, 3000, 4000 & 6000mm lengths)
	H120	Track for brush strip anodised aluminium (2000, 3000, 4000 & 6000mm lengths) Soffit fix spacing 600mm centres (maximum)
Brackets	H1/SS	Face fixed stainless steel
	H5/SS/120	Double face fixed stainless steel Starting 20mm from end of track fix at 600mm centres (maximum)
Track Stop	HH4/SS	Anodised aluminium with rubber buffer
Guides	H102N	Nylon saw cut guide
	H102SS/94	Timber doors - wall mounted and multiple run guide
	H105SS/94	Timber doors - face mounted guide
	H106SS/94	Timber doors - concealed fixing with SS bearing
Channels	H94X	Aluminium (2000, 3000, 4000 & 6000mm lengths)
	H94	Brass (1500 & 3000mm lengths)
	H94P	Polypropylene (2000, 3000, 4000 & 6000mm lengths)
	H94PSC	Aluminium supporting channel and polypropylene (2000, 3000, 4000 & 6000mm lengths)
Accessories	Interlocking Seal	
	H59BZ/4800	Bronze anodised (4800mm to suit typical 2400mm door height)
	H59CA/4800	Clear anodised aluminium (4800mm to suit typical 2400mm door height) Drilled and countersunk. Includes brush seal.



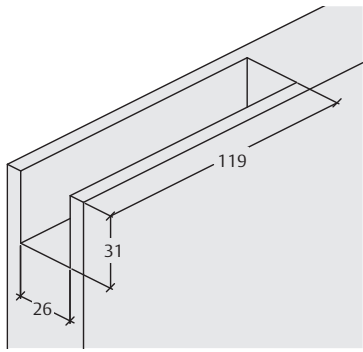


HENDERSON

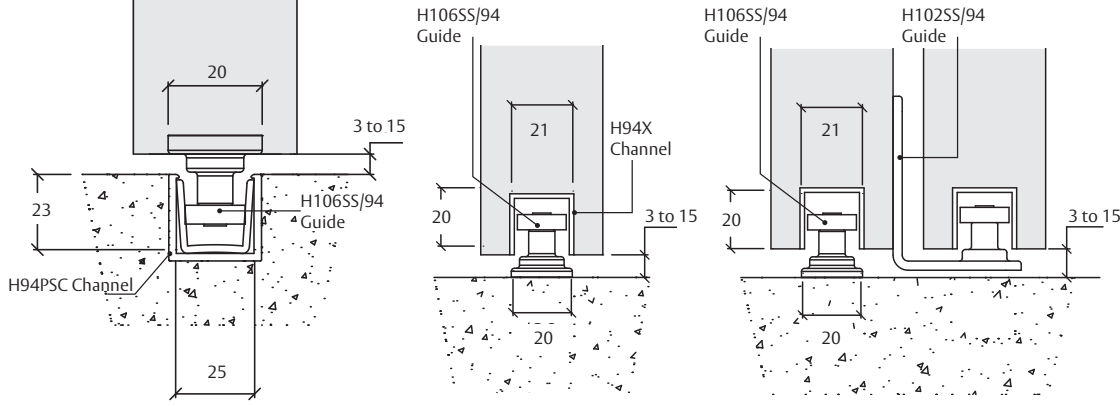
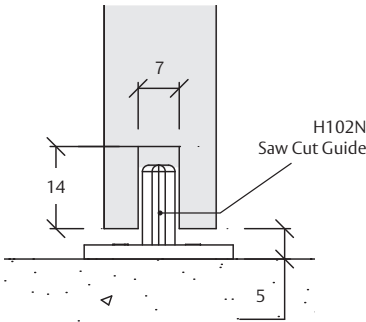


NOT TO SCALE

35 MIN.
48 MAX.



Cutout for Low Headroom Unit



SIENNA

straight
sliding
top hung
systems

For sliding timber doors. Max. 120kg.

APPLICATION

- Elegant timber door system that creates a minimalist look
- 120kg system designed for doors 30-70mm thickness
- Rollers are engineered to run effortlessly along a brushed stainless steel track
- Stops are positioned to run on the track to limit door travel
- High quality stainless steel hangers and brackets

DOOR SPECIFICATION

Track System	Sienna
For Individual Doors:	
Max Door Weight	120kg
Min Door Width	700mm
Door Thickness	30-70mm
Max Door Height	2500mm

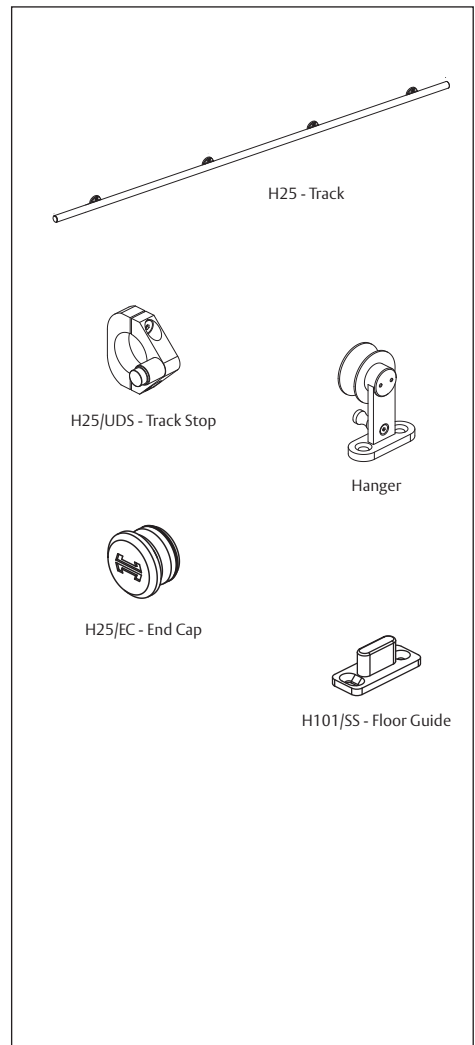
STANDARD SETS AND PACKS

Sets comprise of 2 hangers, 2 left & right door stops, one guide & 2 bar end caps

Pack No.	Hardware for
HSN120T	1 door

HARDWARE SPECIFICATION

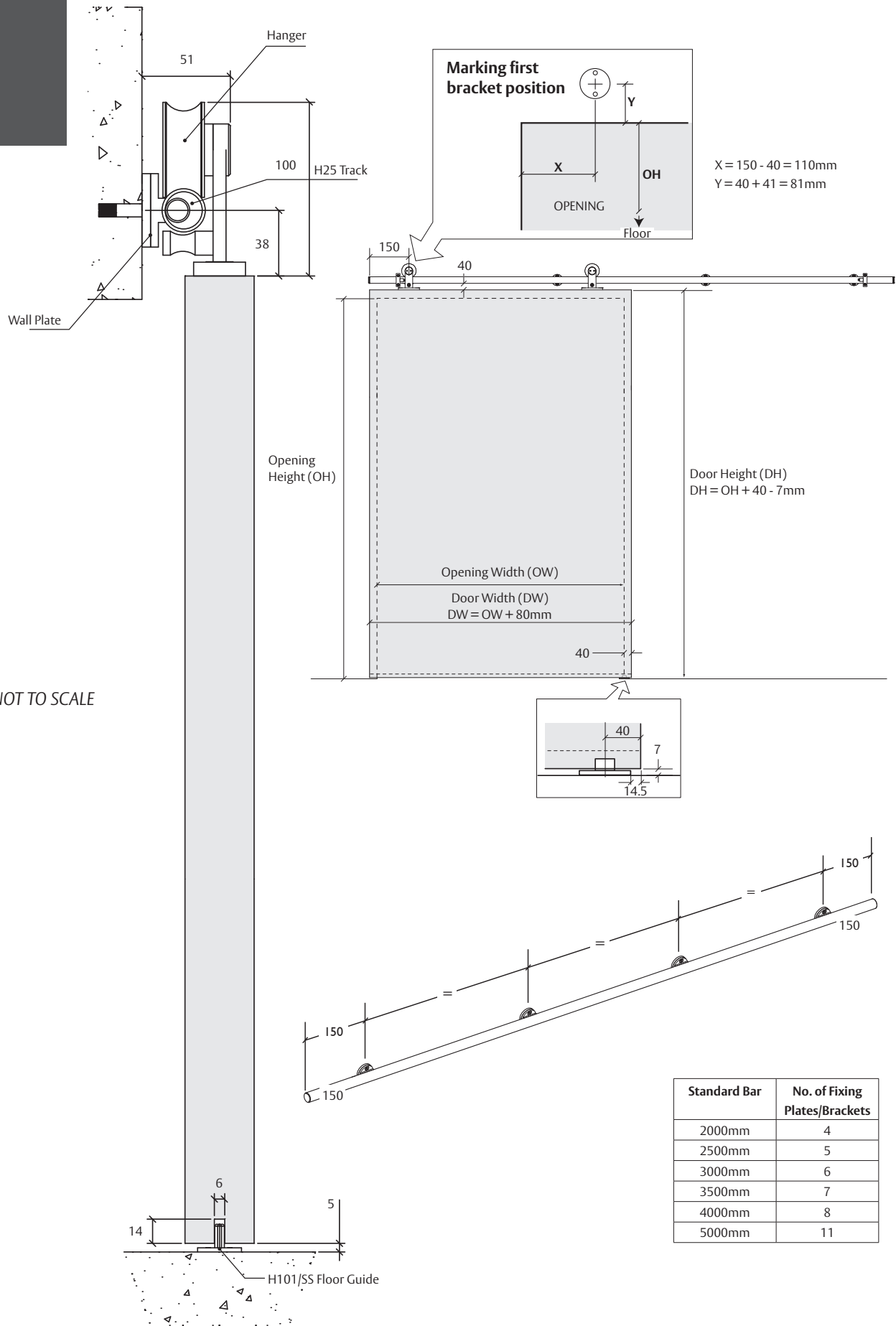
Track	H25T	Stainless Steel (2000, 2500, 3000, 3500, 4000 & 5000mm lengths) Ø25mm tubular track, drilled and pre-assembled with correct number of brackets
Track Stop (2 per door)	H25/UDS	
Guides	H101/SS	Floor guide
End Cap	H25/EC	End cap for track



HENDERSON



HENDERSON



NOT TO SCALE

Standard Bar	No. of Fixing Plates/Brackets
2000mm	4
2500mm	5
3000mm	6
3500mm	7
4000mm	8
5000mm	11

SOLTAIRE 180

straight
sliding
top hung
systems

For top hung sliding doors. Max 180kg each.

APPLICATION

- Manufactured from high grade 316 stainless steel with anodised aluminium track
- This reliable system is extremely durable and ideal for coastal applications, heavy use or areas requiring a high level of corrosion resistance
- Designed for interior and exterior doors up to 180kg
- Ideal for residential or commercial applications
- Designed to accommodate single or multiple panels on one or more tracks
- Hangers available for timber or metal doors
- The track can be soffit fixed or face fixed to give flexibility of installation

DOOR SPECIFICATION

Track System Soltaire 180

For Individual Doors:

Max Door Weight 180kg
Door Thickness 35-48mm*
Max Panel Height 3000mm

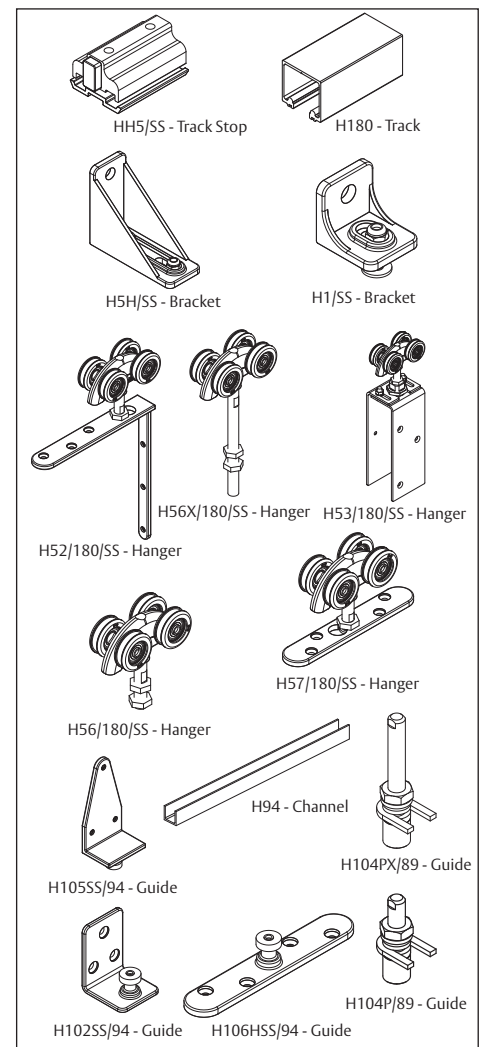
*For doors thicker than 48mm, please contact our technical sales team for further information.

HARDWARE SPECIFICATION

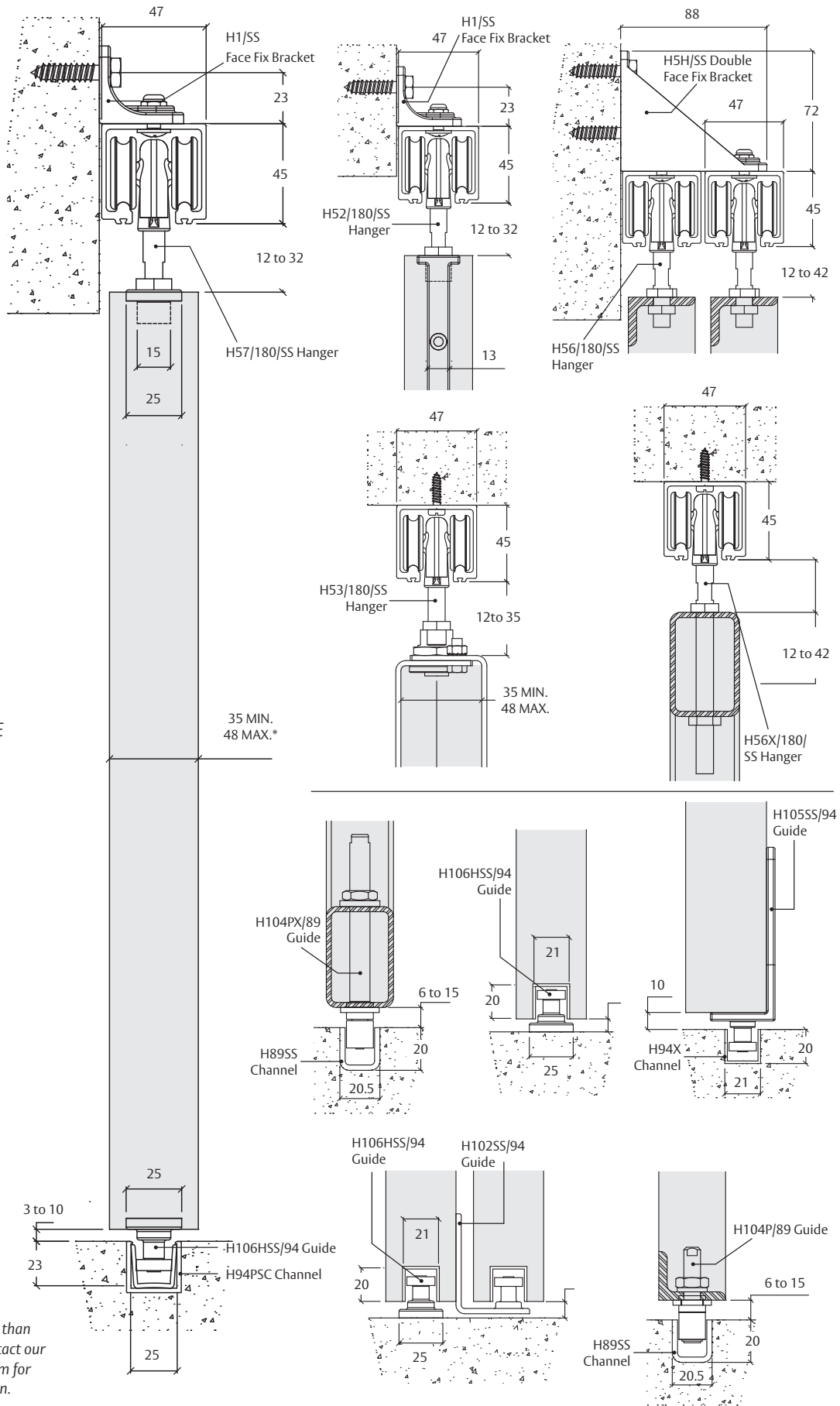
Track	H180A	Anodised Aluminium (2000, 3000, 4000 & 6000mm lengths) Soffit fix spacing 900mm centres (maximum)
Brush Strips	HBS10, HBS15, HBS20, HBS25	Available in black in 4 brush heights, by the metre (mm)
Brackets	H1/SS H5H/SS	Face fixed stainless steel Double run face fixed stainless steel Starting 20mm from end of track fix at 900mm maximum centres.
Hangers (2 per door)*	H52/180/SS H53/180/SS H56/180/SS H56X/180/SS H57/180/SS H57/180/SS	Timber doors – angle plate fixing Timber doors – saddle plate fixing Metal doors – angle frame fixing Metal doors – box frame fixing Timber doors – concealed plate fixing Metal doors – concealed plate fixing
		* Each panel must be rigid enough to be supported by only two hangers
Track Stop	HH5/SS	Anodised aluminium with rubber buffer
Guides	H102SS/94 H104PX/89 H104P/89 H105SS/94 H106HSS/94	Timber doors - wall mounted and multiple run guide Metal door - box section Metal door - angle frame Timber doors - face mounted guide Timber doors - concealed fixing with SS bearing
Channels	H94X H94 H89SS H94P H94PSC	Aluminium (2000, 3000, 4000 & 6000mm lengths) Brass (1500 & 3000mm lengths) Stainless steel (2000 & 3000mm lengths) Polypropylene (2000, 3000, 4000 & 6000mm lengths) Aluminium supporting channel and polypropylene (2000, 3000, 4000 & 6000mm lengths)

Accessories

Interlocking Seal	H59BZ/4800 H59CA/4800	Bronze anodised (4800mm to suit typical 2400mm door height) Clear anodised aluminium (4800mm to suit typical 2400mm door height) Drilled and countersunk. Includes brush seal.
--------------------------	--	--



HENDERSON



NOT TO SCALE

* For doors thicker than 48mm, please contact our technical sales team for further information.

SOLTAIRE LOW HEADROOM 180

straight
sliding
top hung
systems

For timber top hung sliding doors. Max 180kg.

APPLICATION

- Designed to create a modern minimalist finish with all parts concealed
- Can reduce the clearance between the track and the top of the door to 2mm
- Vertically adjustable sliding door kit for low or restricted headroom applications
- Used to maximise door height
- Engineered for easy installation and adjustment
- Designed to accommodate single or multiple panels on one or more tracks

DOOR SPECIFICATION

Track System **Low Headroom 180**

For Individual Door Leaves:

Max Door Weight	180kg
Max Door Width	3300mm
Door Thickness	35-48mm*
Max Door Height	2700mm

*For doors thicker than 48mm, please contact our technical sales team for further information.

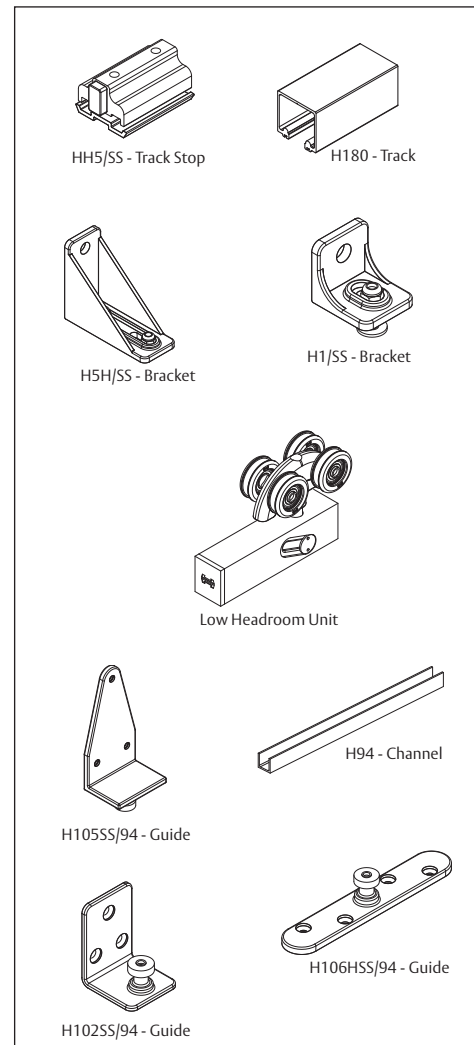
STANDARD PACK

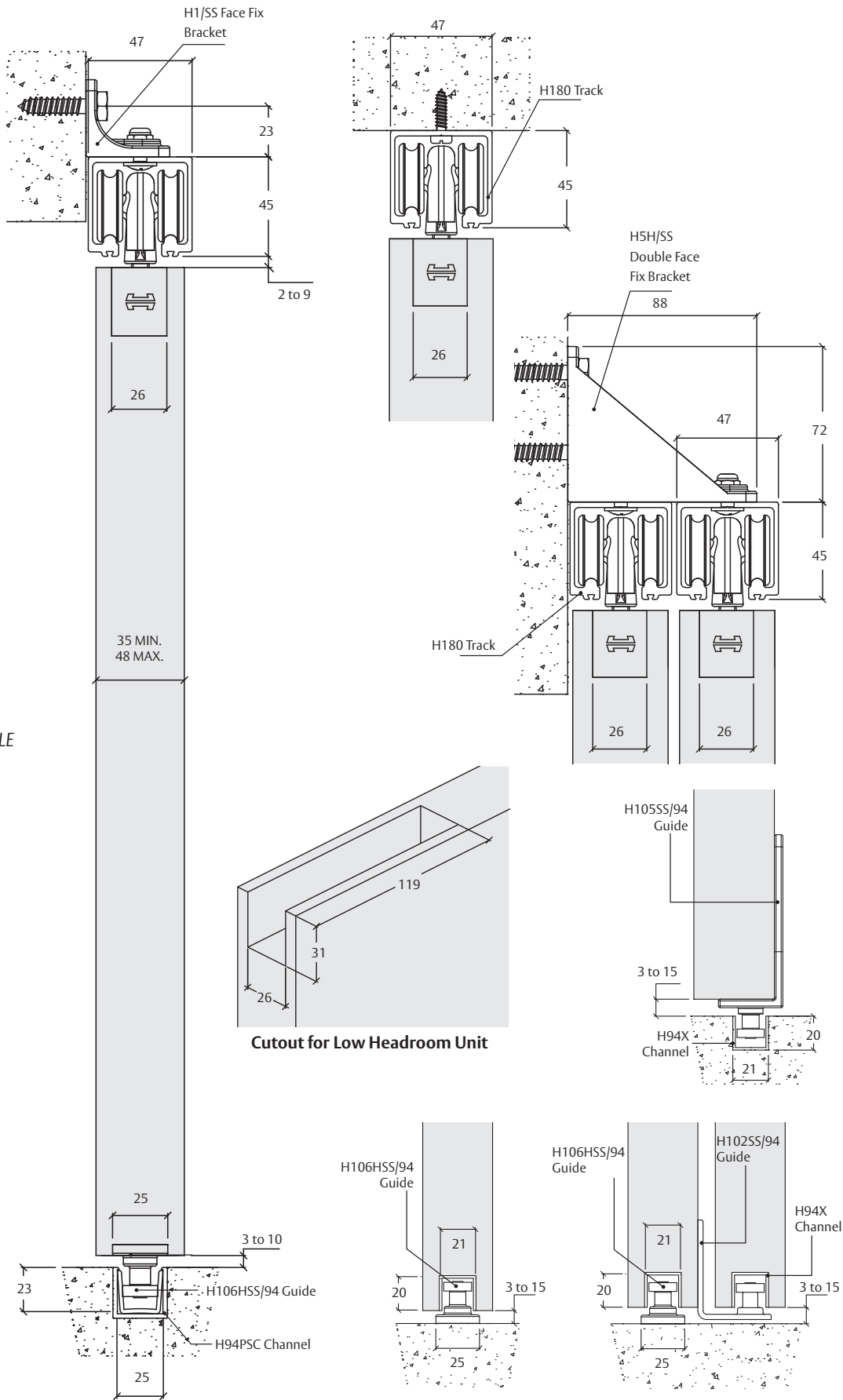
Pack comprises of 2x Low Headroom units, 2x end caps, 2x track stops, all screws and fitting instructions.

Pack No.	Application
HLH180	1 door pack

HARDWARE SPECIFICATION

Track	H180A	Anodised Aluminium (2000, 3000, 4000 & 6000mm lengths) Soffit fix spacing 900mm centres (maximum)
Brackets	H1/SS	Face fixed stainless steel
	H5H/SS	Double face fixed stainless steel (heavy) Starting 20mm from each end of track fix at 900mm centres (max.)
Track Stop	HH5/SS	Anodised aluminium with rubber buffer
Guides	H102SS/94	Timber doors - wall mounted and multiple run guide
	H105SS/94	Timber doors - face mounted guide
	H106HSS/94	Timber doors - concealed fixing with SS bearing
Channels	H94X	Aluminium (2000, 3000, 4000 & 6000mm lengths)
	H94	Brass (1500 & 3000mm lengths)
	H94P	Polypropylene (2000, 3000, 4000 & 6000mm lengths)
	H94PSC	Aluminium supporting channel and polypropylene (2000, 3000, 4000 & 6000mm lengths)
Accessories		
Interlocking Seal	H59BZ/4800 H59CA/4800	Bronze anodised (4800mm to suit typical 2400mm door height) Clear anodised aluminium (4800mm to suit typical 2400mm door height) Drilled and countersunk. Includes brush seal.





NOT TO SCALE

PACER

For top hung sliding timber and metal doors. Max. 200kg.

APPLICATION

- Ideally suited to shop fronts, offices and other stylish interiors
- Designed for straight sliding doors in timber, aluminium or metal

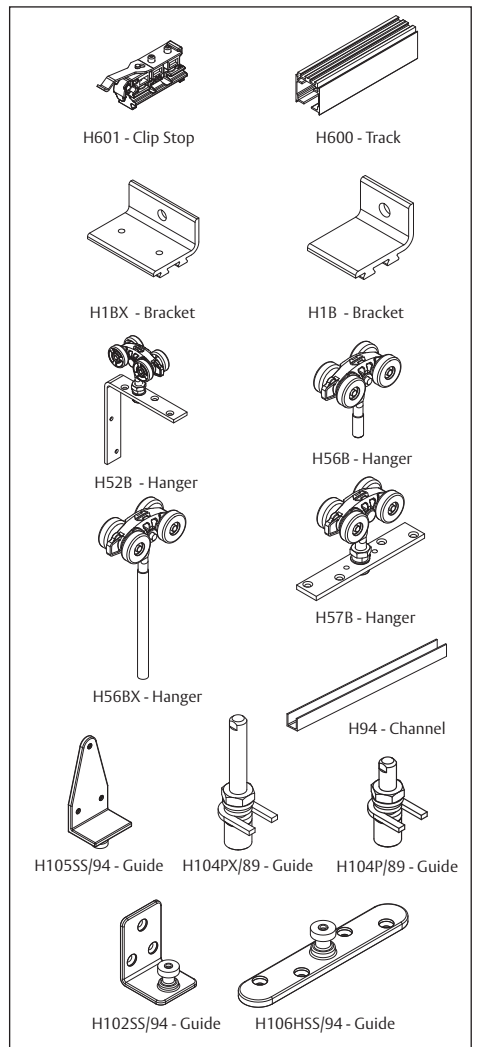
DOOR SPECIFICATION

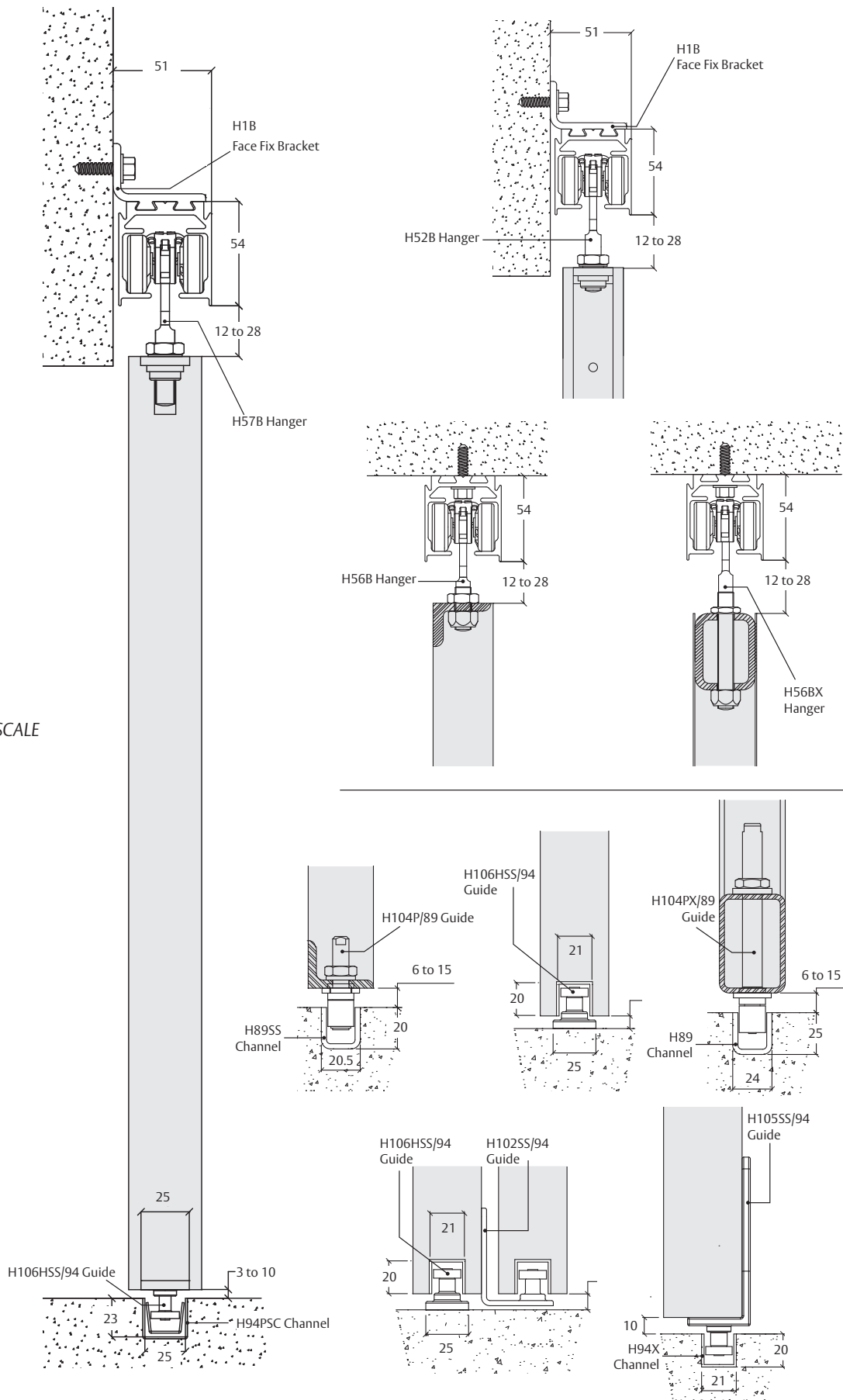
Track System	Pacer
For Individual Doors:	
Max Door Weight	200kg
Max Door Width	2000mm
Door Thickness	35-50mm*
Max Door Height	3000mm

*For doors thicker than 50mm, please contact our technical sales team for further information.

HARDWARE SPECIFICATION

Track	H600	Aluminium (2000, 3000, 4000 & 6000mm lengths)
Brackets	H1B	Face fixed
	H1BX	Joining and end bracket
Hangers (2 per door)	H52B	Timber Doors – angle plate fixing
	H56B	Metal Doors – angle frame
	H56BX	Metal Doors – box frame
	H57B	Timber/Metal Doors – concealed fixing
Clip Stop	H601P	Adjustable retaining stop
Guides	H102SS/94	Timber doors - wall mounted and multiple run guide
	H104PX/89	Metal door - box section
	H104P/89	Metal door - angle frame
	H105SS/94	Timber doors - face mounted guide
	H106HSS/94	Timber doors - concealed fixing with SS bearing
Channels	H94X	Aluminium (2000, 3000, 4000 & 6000mm lengths)
	H94	Brass (1500 & 3000mm lengths)
	H89SS	Stainless steel (2000 & 3000mm lengths)
	H94P	Polypropylene (2000, 3000, 4000 & 6000mm lengths)
	H94PSC	Aluminium supporting channel and polypropylene (2000, 3000, 4000 & 6000mm lengths)
Accessories	Fascia	
	HF160	Anodised aluminium for soffit fixed applications (2000, 2500, 3000, 3500, 4000 & 6000mm lengths)
	HF200	Anodised aluminium with standard return for face fixed applications (2000, 2500, 3000, 3500, 4000 & 6000mm lengths)





NOT TO SCALE

SOLTAIRE 250

straight
sliding
top hung
systems

For top hung sliding doors. Max 250kg each.

APPLICATION

- Manufactured from high grade 316 stainless steel with anodised aluminium track
- This reliable system is extremely durable and ideal for coastal applications, heavy use or areas requiring a high level of corrosion resistance
- Designed for interior and exterior doors up to 250kg
- Ideal for residential or commercial applications
- Designed to accommodate single or multiple panels on one or more tracks
- Hangers available for timber or metal doors
- The track can be soffit fixed or face fixed to give flexibility of installation

DOOR SPECIFICATION

Track System Soltaire 250

For Individual Doors:	
Max Door Weight	250kg
Door Thickness	35-48mm*
Max Panel Height	3300mm

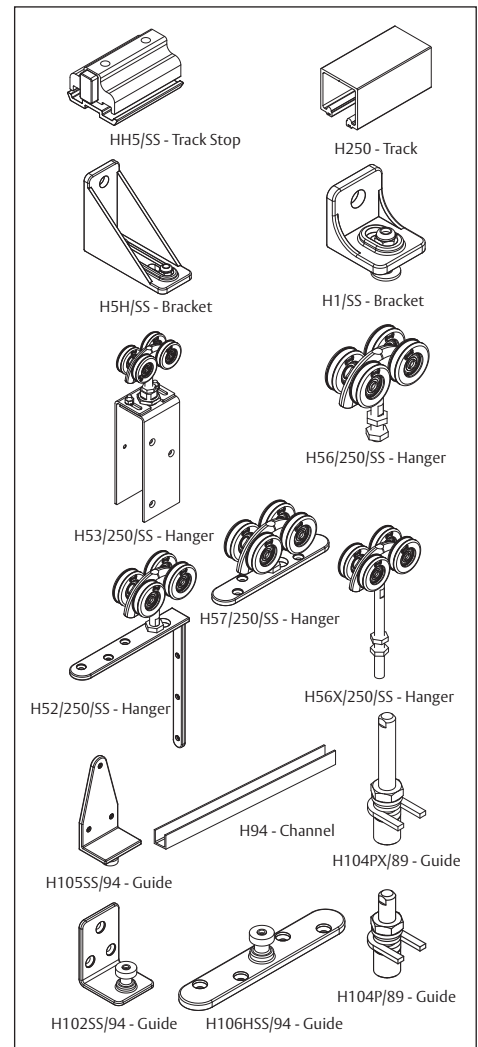
*For doors thicker than 48mm, please contact our technical sales team for further information.

HARDWARE SPECIFICATION

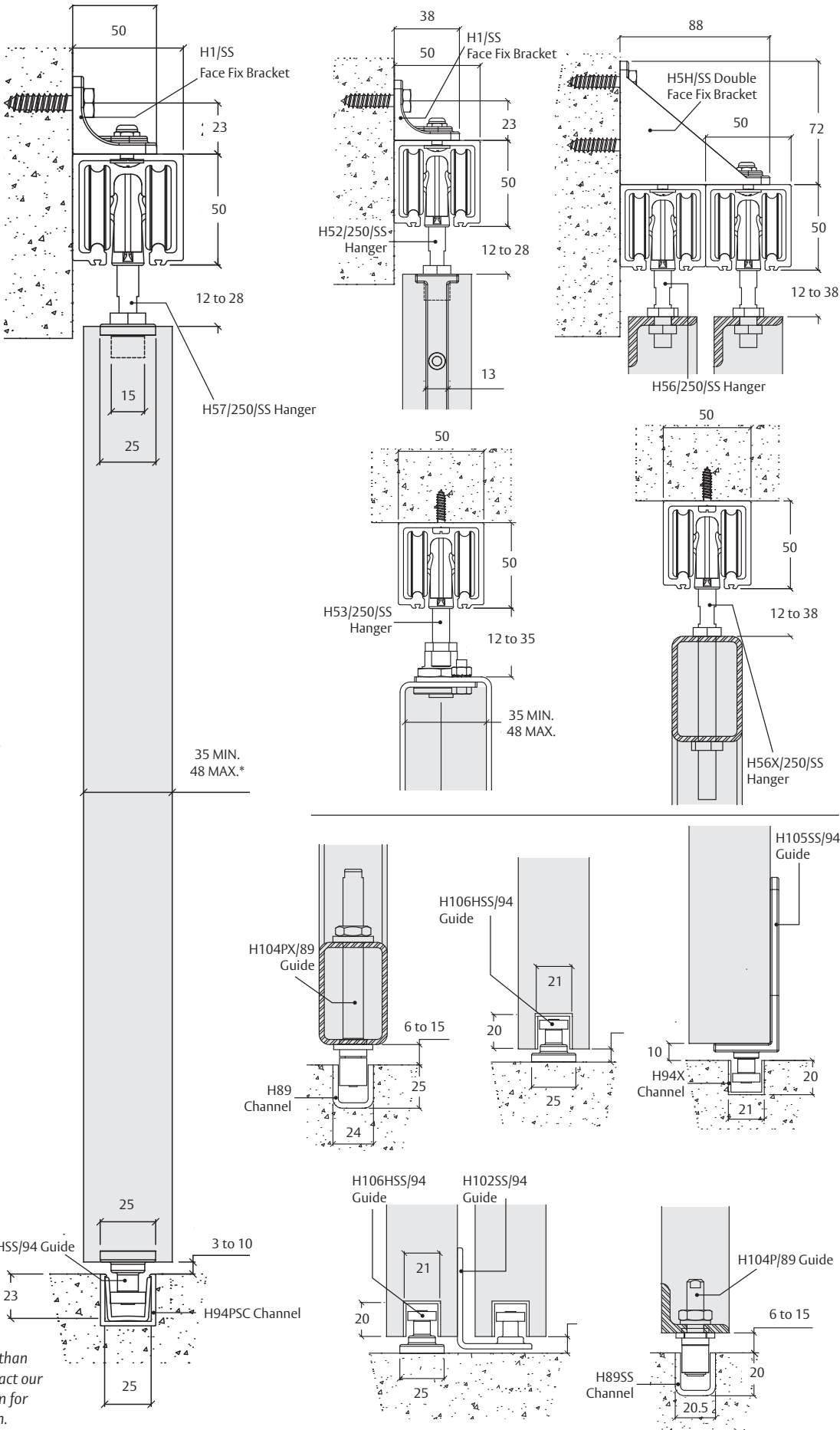
Track	H250A	Anodised Aluminium (2000, 3000, 4000 & 6000mm lengths) Soffit fix spacing 900mm centres (maximum)
Brush Strips	HBS10, HBS15, HBS20, HBS25	Available in black in 4 brush heights, by the metre (mm)
Brackets	H1/SS, H5H/SS	Face fixed stainless steel Double face fixed stainless steel (heavy) Starting 20mm from end of track fix at 900mm maximum centres.
Hangers (2 per door)*	H52/250/SS, H53/250/SS, H56/250/SS, H56X/250/SS, H57/250/SS, H57/250/SS	Timber doors – angle plate fixing Timber doors – saddle plate fixing Metal doors – angle frame fixing Metal doors – box frame fixing Timber doors – concealed plate fixing Metal doors – concealed plate fixing
Track Stop	HH5/SS	Anodised aluminium with rubber buffer
Guides	H102SS/94, H104PX/89, H104P/89, H105SS/94, H106HSS/94	Timber doors - wall mounted and multiple run guide Metal door - box section Metal door - angle frame Timber doors - face mounted guide Timber doors - concealed fixing with SS bearing
Channels	H94X, H94, H89SS, H94P, H94PSC	Aluminium (2000, 3000, 4000 & 6000mm lengths) Brass (1500 & 3000mm lengths) Stainless steel (2000 & 3000mm lengths) Polypropylene (2000, 3000, 4000 & 6000mm lengths) Aluminium supporting channel and polypropylene (2000, 3000, 4000 & 6000mm lengths)

Accessories

Interlocking Seal	H59BZ/4800, H59CA/4800	Bronze anodised (4800mm to suit typical 2400mm door height) Clear anodised aluminium (4800mm to suit typical 2400mm door height) Drilled and countersunk. Includes brush seal.
--------------------------	-------------------------------	--



HENDERSON



NOT TO SCALE

*For doors thicker than 48mm, please contact our technical sales team for further information.

HENDERSON

SOLTAIRE LOW HEADROOM 250

straight
sliding
top hung
systems

For timber top hung sliding doors. Max 250kg.

APPLICATION

- Designed to create a modern minimalist finish with all parts concealed
- Can reduce the clearance between the track and the top of the door to 2mm
- Vertically adjustable sliding door kit for low or restricted headroom applications
- Used to maximise door height
- Engineered for easy installation and adjustment
- Designed to accommodate single or multiple panels on one or more tracks

DOOR SPECIFICATION

Track System **Low Headroom 250**

For Individual Door Leaves:

Max Door Weight	250kg
Door Thickness	35-48mm*
Max Door Height	3300mm

* For doors thicker than 48mm, please contact our technical sales team for further information.

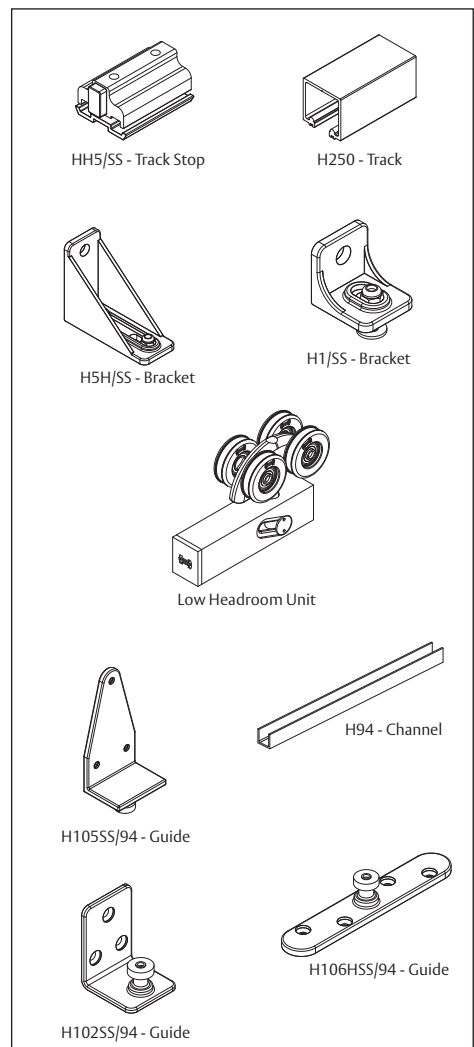
STANDARD PACK

Pack comprises of 2x Low Headroom units, 2x end caps, 2x track stops, all screws and fitting instructions.

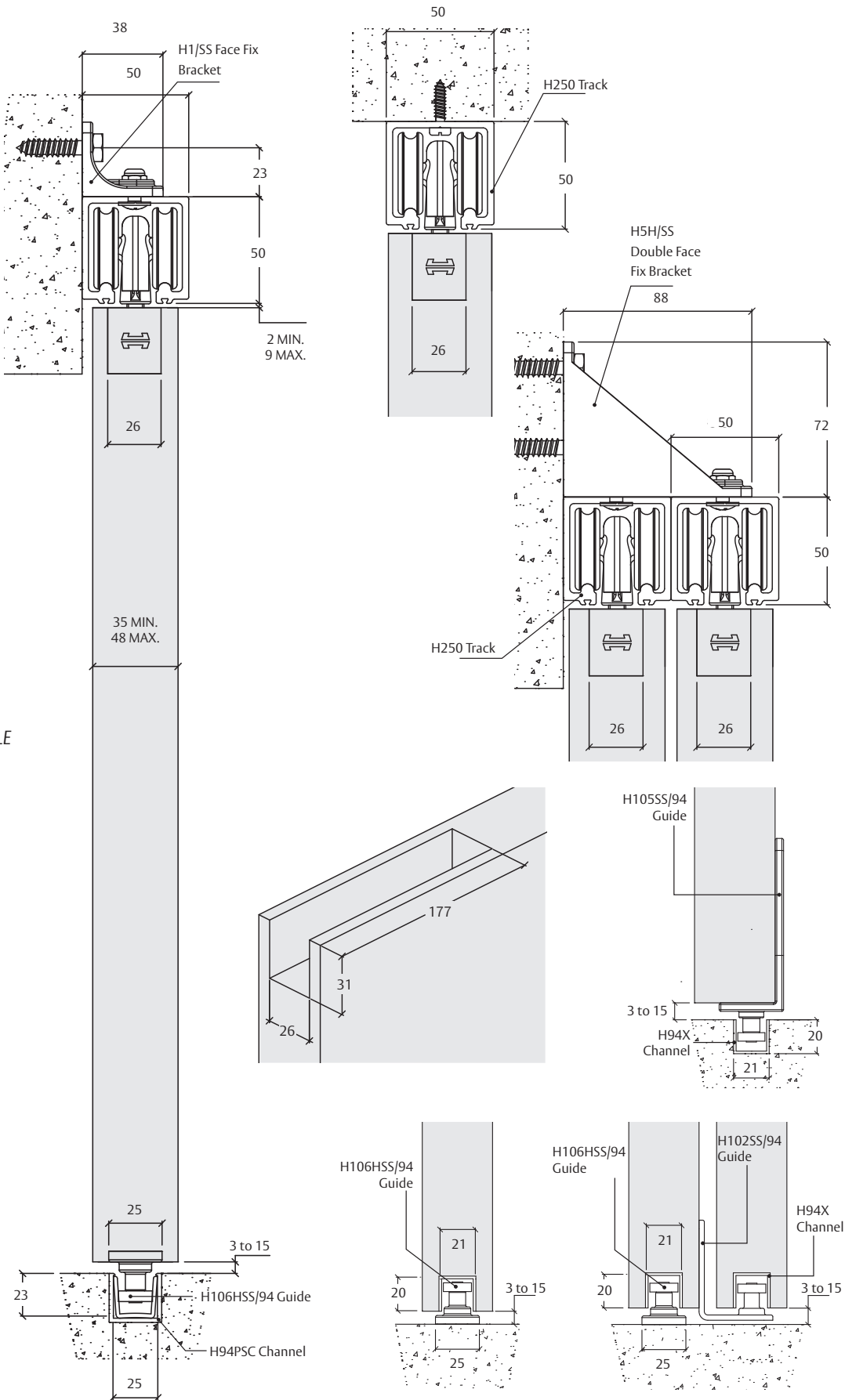
Pack No.	Application
HLH250	1 door pack

HARDWARE SPECIFICATION

Track	H250A	Anodised Aluminium (2000, 3000, 4000 & 6000mm lengths) Soffit fix spacing 900mm centres (maximum)
Brackets	H1/SS H5H/SS	Face fixed stainless steel Double face fixed stainless steel (heavy) Starting 20mm from each end of track fix at 900mm centres (max.)
Track Stop	HH5/SS	Anodised aluminium with rubber buffer
Guides	H102SS/94 H105SS/94 H106HSS/94	Timber doors - wall mounted and multiple run guide Timber doors - face mounted guide Timber doors - concealed fixing with SS bearing
Channels	H94X H94 H94P H94PSC	Aluminium (2000, 3000, 4000 & 6000mm lengths) Brass (1500 & 3000mm lengths) Polypropylene (2000, 3000, 4000 & 6000mm lengths) Aluminium supporting channel and polypropylene (2000, 3000, 4000 & 6000mm lengths)
Accessories		
Interlocking Seal	H59BZ/4800 H59CA/4800	Bronze anodised (4800mm to suit typical 2400mm door height) Clear anodised aluminium (4800mm to suit typical 2400mm door height) Drilled and countersunk. Includes brush seal.



HENDERSON



NOT TO SCALE

FLEXIROL 500

For top hung sliding timber and metal doors. Max. 500kg.

APPLICATION

- Ideally suited to hotels, conference centres, shop fronts, showrooms or any site requiring high performance and an attractive finish
- Designed for straight sliding doors in timber, metal or glass

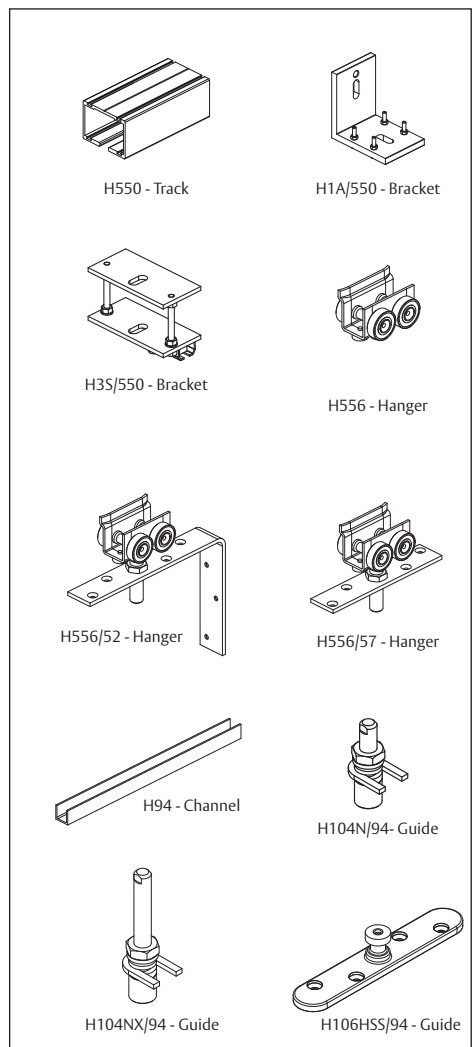
DOOR SPECIFICATION

Track System	Flexirol 500
For Individual Doors:	
Max Door Weight	500kg. 2 Hangers per leaf.
Max Door Width	6000mm
Door Thickness	40-100mm*
Max Door Height	6000mm

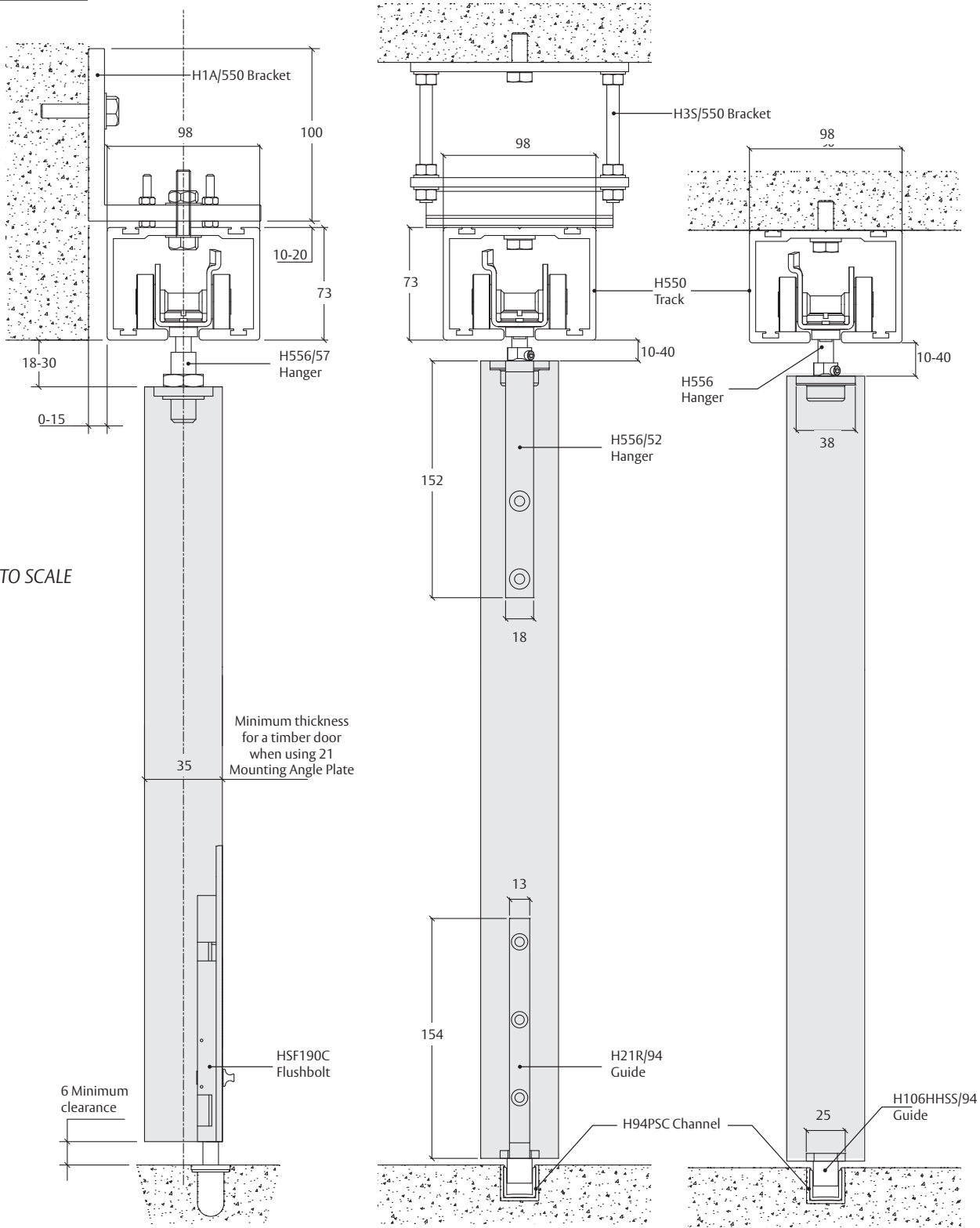
* For doors thicker than 100mm, please contact our technical sales team for further information.

HARDWARE SPECIFICATION

Track	H550	Anodised Aluminium (2000, 3000, 4000 & 6000mm lengths) For full range of finishes please contact our Technical Sales Team.
Brackets	H1A/550 H3S/550	Face fixed Soffit fixed
Hangers	H556	Metal doors - angle frame fixing
(2 per door)*	H556/52 H556/57	Timber doors - angle plate fixing Timber doors - concealed plate fixing
		* Each panel must be rigid enough to be supported by only two hangers
Track Stop	H3/301	Flexirol track stop
Guides	H104N/94 H104NX/94 H106HSS/94	Metal doors - angle frame fixing Metal doors - box frame fixing Timber doors - concealed fixing
Channels	H94X H94P H94PSC	Aluminium (2000, 3000, 4000 & 6000mm lengths) Polypropylene (2000, 3000, 4000 & 6000mm lengths) Aluminium supporting channel and polypropylene (2000, 3000, 4000 & 6000mm lengths)



HENDERSON



NOT TO SCALE

Minimum thickness for a timber door when using 21 Mounting Angle Plate

6 Minimum clearance
 HSF190C Flushbolt

STRAIGHT SLIDING 290

For timber or metal top hung sliding doors. Max 150 or 200kg

APPLICATION

- Designed for commercial and industrial applications
- Designed to accommodate single or multiple panels on one or more tracks
- Versatile range of hanger, track, bracket and guide options, allows the 290 system a wide range of applications
- Where doors are fitted externally, a canopy is recommended

DOOR SPECIFICATION

Track System	290
For Individual Doors:	
Max Door Wt Nylon Hanger	150kg
Max Door Wt Steel Hanger	200kg
Door Thickness	35-48mm
Max Door Height	3000mm

HARDWARE SPECIFICATION

Track **H290** Galvanised Steel (2000, 2500, 3000, 4000 & 6000mm lengths)
Fix spacing at 900mm centres (maximum)

Brackets **Aluminium** **Steel (Zinc plated)**

H1A/290 **H1/290S** Face fix, single track

H3A/290 - Soffit fix, single track

H4A/290 - Soffit fix (in line), single track

- **H4R/290S** Soffit fix (adjustable), single track

H5/290 - Face fix, double track

- **H9/290/S** Face fix (low headroom), single track

For jointing bracket options please contact our Technical Sales Team.

Bracket **Aluminium** **Steel (Zinc plated)**

Endclip **H1A/290EC** **H1/290EC** Creates a closed bracket

Track Stop **HH3/290** In Track Door Stop, Zinc plated Steel

Hangers **150kg** **200kg**

(2 per door)* **H52K/N** **H52K/S200** Timberdoors - angle plate fixing

H53K/N **H53K/S200** Timber doors - apron fixing

H57K/N **H57K/S200** Timber doors - concealed fixing

H56K/N **H56K/S200** Metal doors - angle frame

H56KX/N **H56KX/S200** Metal doors - box frame

H57K/N **H57K/S200** Metal doors - concealed plate

- All hangers suffixed 'N' have silent running nylon wheels and 'S' have steel wheels.

- Nylon wheeled hangers should not be used on installations involving temperatures exceeding 80°C

* Each panel must be rigid enough to be supported by only two hangers

Guides **H31D** Wall guide, double

H31S Wall guide, single

H104P/89 Metal doors – angle frame

H104PX/89 Metal doors – box frame

H105R/89 Timber doors

H106R/94 Timber doors – concealed fixing

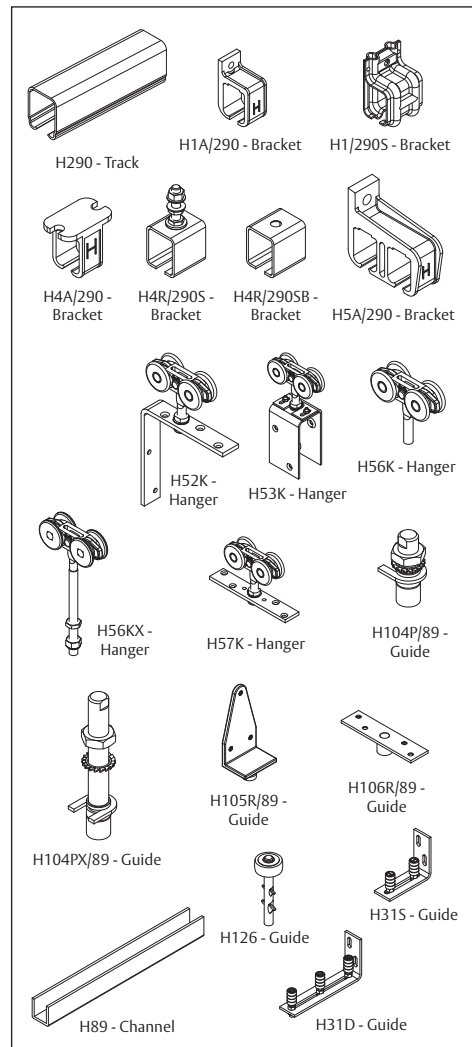
H126 Ground stay roller

Channels **H89** Galvanised steel (2000, 3000 & 4000mm lengths)

H94X Aluminium (2000, 3000, 4000 & 6000mm lengths)

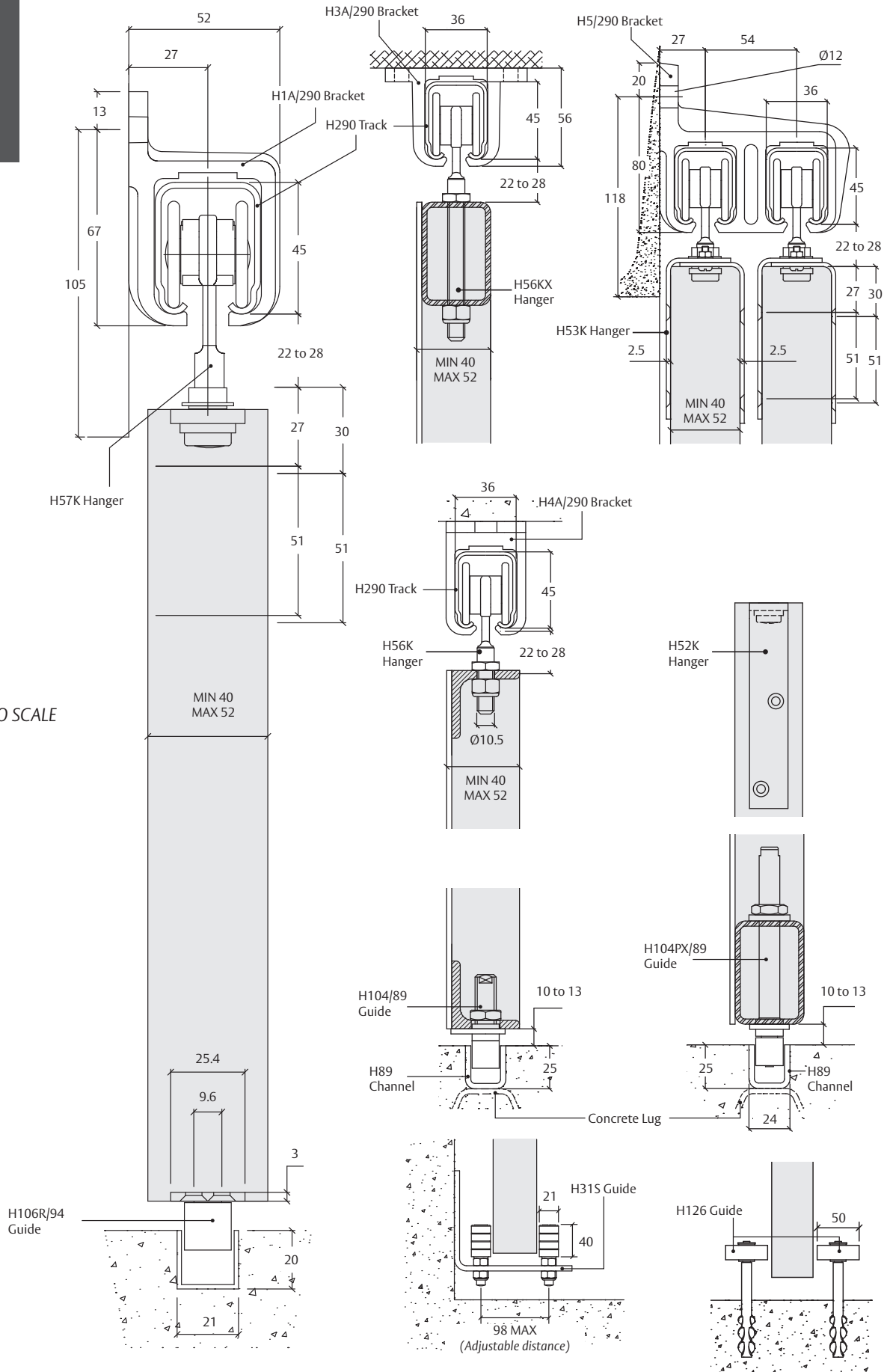
H94 Brass (1500 & 3000mm lengths)

 Pre-drilled and countersunk for wood or lugging into concrete.



HENDERSON

NOT TO SCALE



STRAIGHT SLIDING 301

For timber or metal top hung sliding doors. Max 300, 400 or 450kg

APPLICATION

- Designed for commercial, industrial and agricultural applications
- Designed to accommodate single or multiple panels on one or more tracks
- Versatile range of hanger, track, bracket and guide options, allows the 301 system to be used in a wide range of applications
- Where doors are fitted externally, a canopy is recommended
- Suitable for Fire Resistant applications

DOOR SPECIFICATION

Track System	301	301H
For Individual Doors:		
Max Door Wt Nylon Hanger	400kg	450kg
Max Door Wt Steel Hanger	300kg	360kg
Door Thickness	43-57mm*	43-57mm*
Max Door Height	3600mm	4200mm

*For doors outside the recommended door thickness, please contact our technical sales team for further information.

HARDWARE SPECIFICATION

Track **H301 or H301H** Galvanised Steel (2000, 2500, 3000, 4000 & 6000mm lengths)
Fix spacing at 900mm centres (maximum)

Brackets	Aluminium	Steel (Zinc plated)	
H1A/301	H1/301S		Face fix, single track
H3A/301	H3/301S		Soffit fix, single track
H4A/301	H4/301S		Soffit fix (in line), single track
-	H4R/301S		Soffit fix (adjustable), single track
H5/301	-		Face fix, double track
H6/301	-		Soffit fix, double track
-	H7/301S		Face fix, triple track
-	H9/301S		Face fix (low headroom), single track

For closed and jointing bracket option please contact our Technical Sales Team.

Hangers	Steel wheels	Nylon wheels	
(2 per door)* H52A/S	H52A/N		Timberdoors - angle plate fixing
H53A/S	H53A/N		Timber doors - apron fixing
H56A/S	H56A/N		Metal doors - angle frame
H56AX/S	H56AX/N		Metal doors - box frame
H57A/S	H57A/N		Timber/metal doors - concealed plate

- All hangers suffixed 'N' have silent running nylon wheels and 'S' have steel wheels.

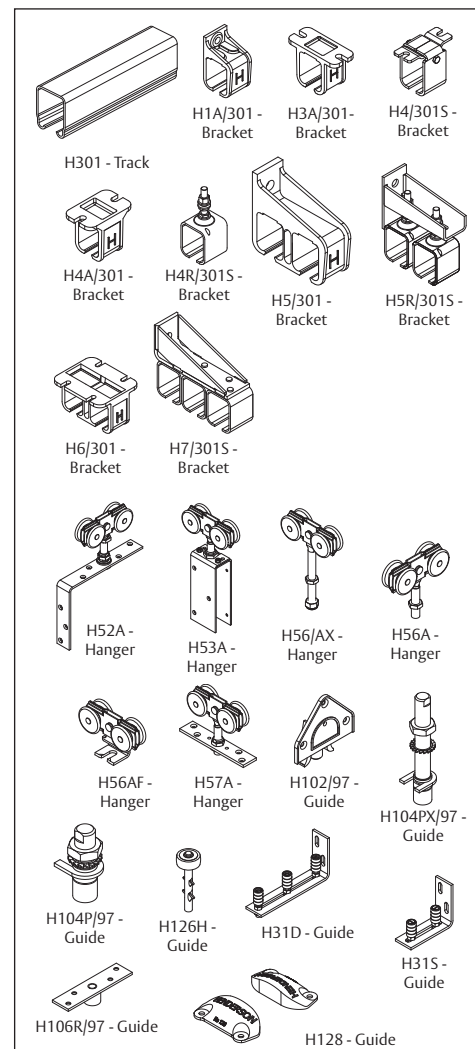
- Nylon wheeled hangers should not be used on installations involving temperatures exceeding 80°C

*Each panel must be rigid enough to be supported by only two hangers

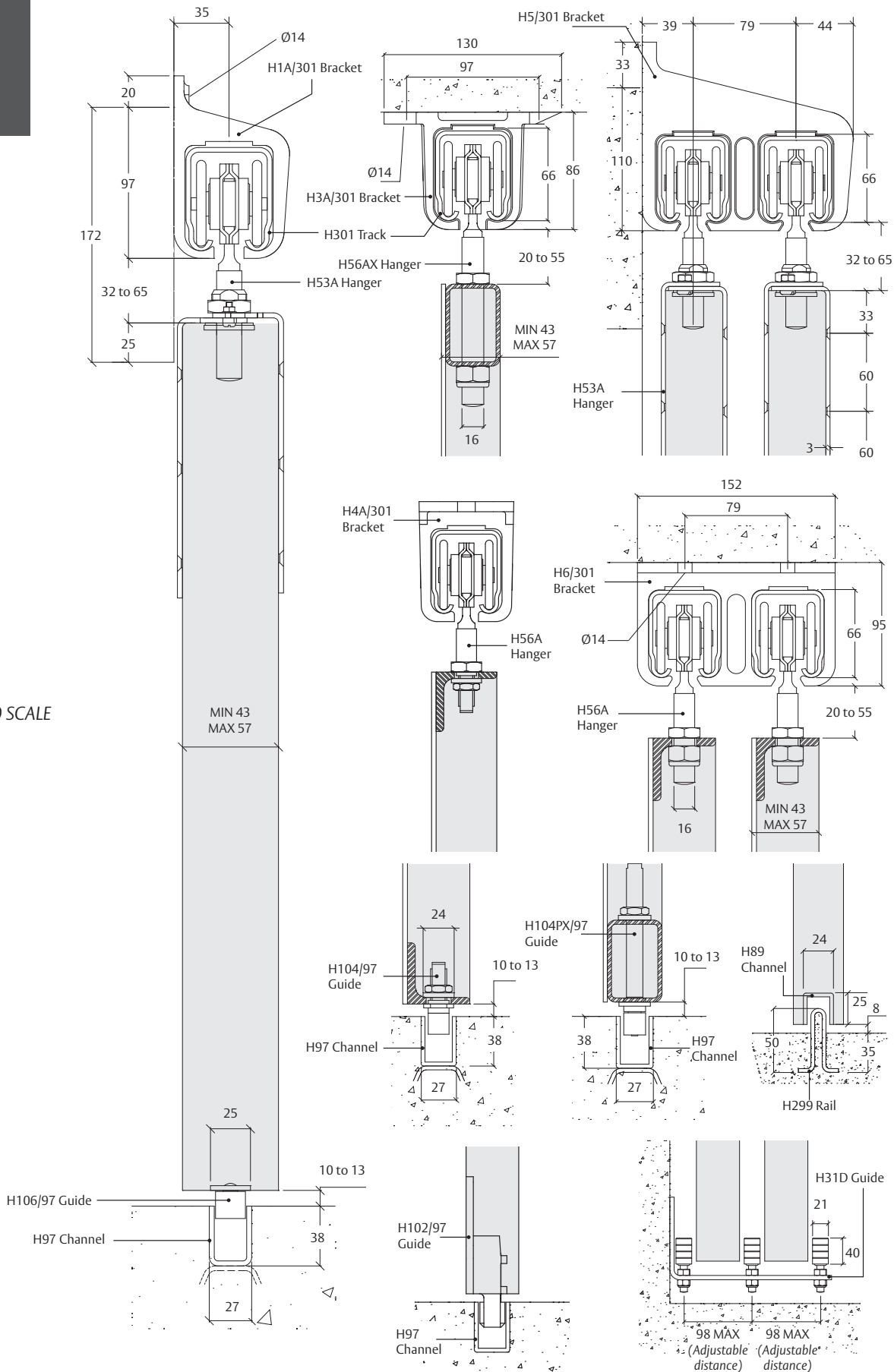
Guides		
H31D	Wall guide, double	
H31S	Wall guide, single	
H102/97	Timber doors	
H104P/97	Metal doors – angle frame	
H104PX/97	Metal doors – box frame	
H106R/97	Timber doors – concealed fixing	
H126H	Ground stay roller	
H128	Shoe guide	

All steel parts are electro zinc-plated.

Channels	H97	Galvanised steel (1800, 2000, 2500, 3000, 4000 & 6000mm lengths) Pre-drilled for lugging into concrete and for use in drainage funnel.
----------	-----	--



NOT TO SCALE



STRAIGHT SLIDING 305

For timber or metal top hung sliding doors. Max 700kg.

APPLICATION

- Used in commercial, industrial and agricultural applications where robust gear is required
- Designed to accommodate single or multiple panels on one or more tracks
- Designed for interior and exterior applications
- Versatile range of hanger, track, bracket and guide options, allows the 305 system a wide range of applications
- Where doors are fitted externally, a canopy is recommended
- Suitable for Fire Resistant applications

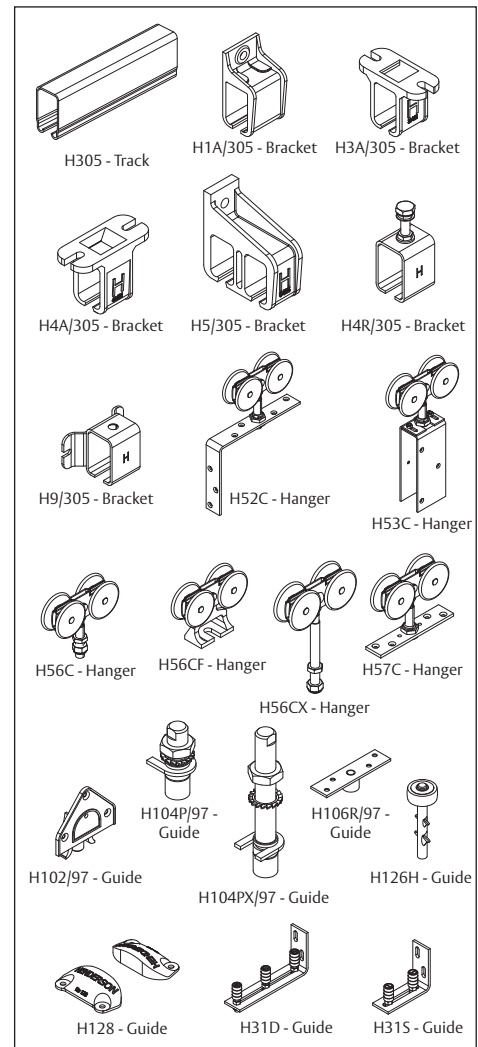
DOOR SPECIFICATION

Track System	305
For Individual Doors:	
Max Door Wt Steel Hanger	700kg
Door Thickness	43-57mm*
Max Door Height	4800mm

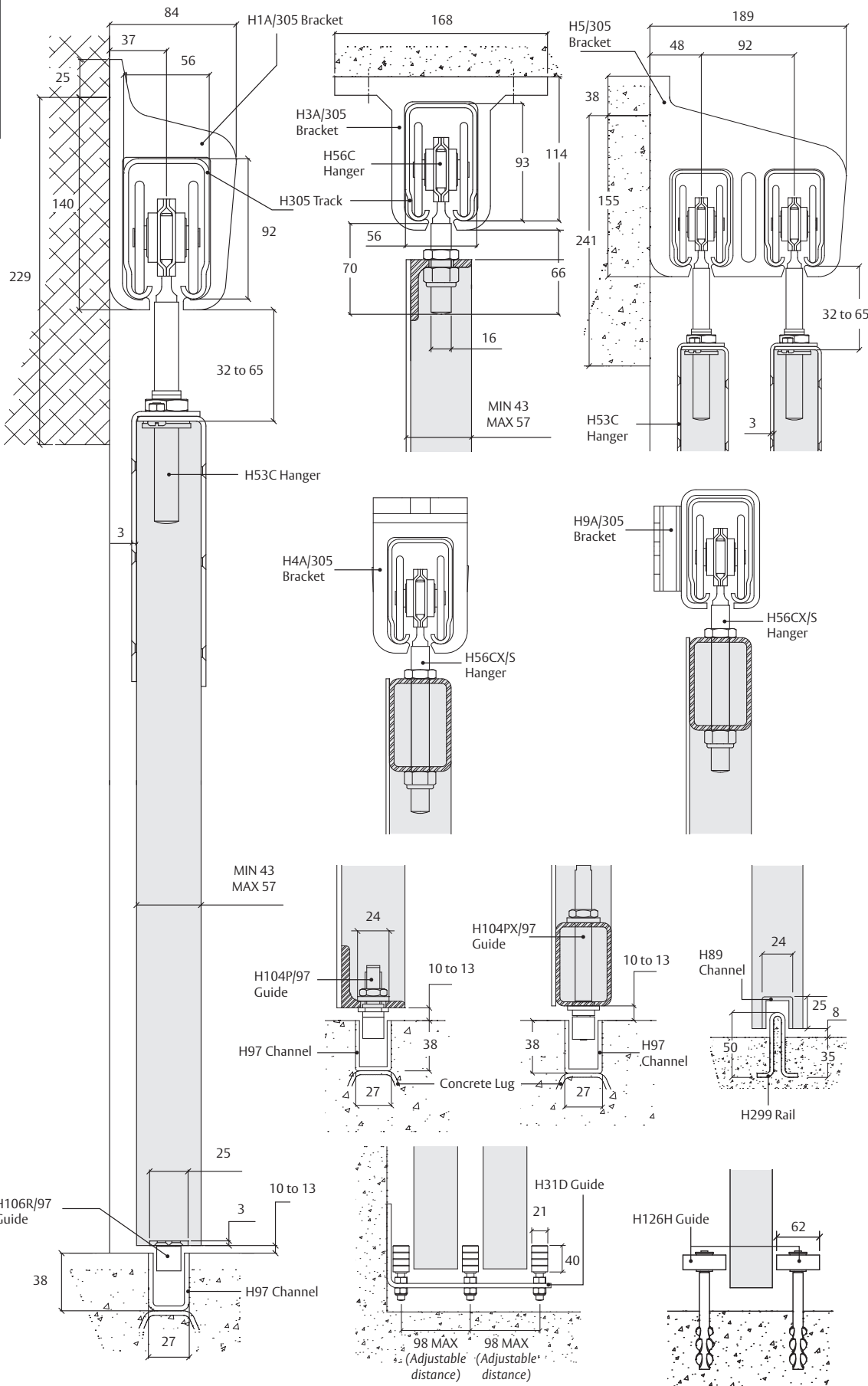
*For doors outside the recommended door thickness, please contact our technical sales team for further information.

HARDWARE SPECIFICATION

Track	H305	Galvanised Steel (2000, 2500, 3000, 4000 & 6000mm lengths) Fix spacing at 900mm centres (maximum)
Brackets	H1A/305	Face fix aluminium, single track
	H3A/305	Soffit fix aluminium, single track
	H4A/305	Soffit fix (in line) aluminium, single track
	H4R/305	Soffit fix (adjustable) steel, single track
	H5/305	Face fix aluminium, double track
	H9A/305	Face fix (low headroom) steel, single track
		<i>For closed and jointing bracket option please contact our Technical Sales Team.</i>
Fire Door Brackets	H1/305	Face fix cast iron, single track
	H1/305L	Face fix cast iron closed left, single track
	H1/305R	Face fix cast iron closed right, single track
	H1X/305	Face fix cast iron jointing, single track
Hangers	H52C/S	Timber doors - angle plate fixing
(2 per door)*	H53C/S	Timber doors - apron fixing
	H56C/S	Metal doors - angle frame
	H56CX/S	Metal doors - box frame
	H57C/S	Timber/metal doors - concealed fixing
		<i>* Each panel must be rigid enough to be supported by only two hangers</i>
Guides	H31D	Wall guide, double
	H31S	Wall guide, single
	H102/97	Timber doors
	H104P/97	Metal doors - angle frame
	H104PX/97	Metal doors - box frame
	H106/97	Timber doors - concealed fixing
	H126H	Ground stay roller
	H128	Shoe guide
		<i>All steel parts are electro zinc-plated.</i>
Channels	H89	Galvanised steel (2000, 3000 & 4000mm lengths)
	H97	Galvanised steel (2000, 3000, 4000 & 6000mm lengths)
Rail	H299	Galvanised steel (2000, 2500 & 3000mm lengths)



HENDERSON



NOT TO SCALE

STRAIGHT SLIDING 307

For timber or metal top hung sliding doors. Max 2000kg.

APPLICATION

- Designed to allow very heavy and large industrial doors to be easily moved
- Designed to accommodate single or multiple panels on one or more tracks
- Versatile range of hanger, track, bracket and guide options, allows the 307 system to be used in a wide range of applications
- Where doors are fitted externally, a canopy is recommended

DOOR SPECIFICATION

Track System 307

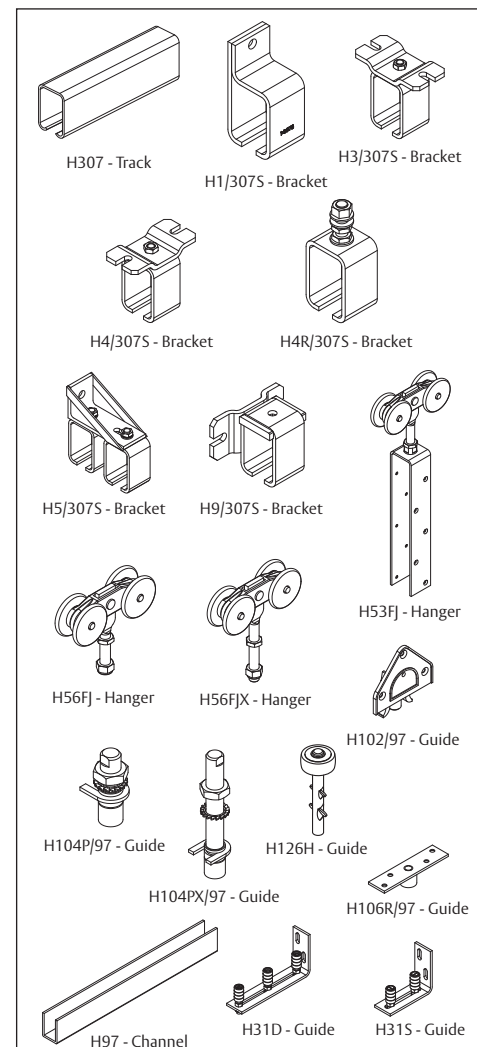
For Individual Doors:

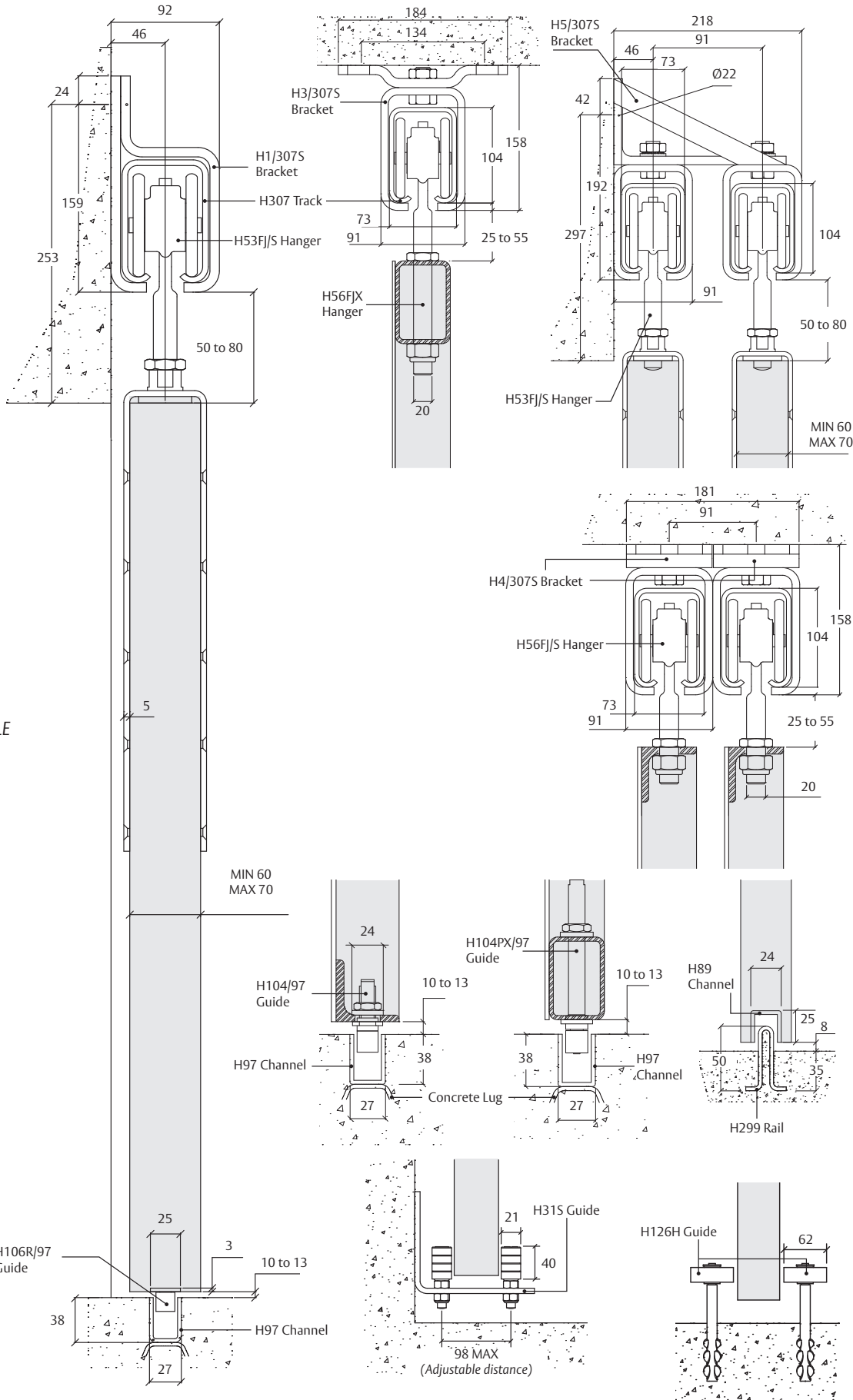
Max Door Weight 2000kg
Door Thickness 50-70mm*
Max Door Height 6000mm

*For panels thicker than 70mm, please contact our technical sales team for further information.

HARDWARE SPECIFICATION

Track	H307	Steel Zinc Plated (2000, 3000 & 4000mm lengths) Fix spacing at 900mm centres (maximum)
Brackets	H1/307S	Face fix steel, single track
	H3/307S	Soffit fix steel, single track
	H4/307S	Soffit fix (in line) steel, single track
	H4R/307S	Soffit fix (adjustable), single track
	H5/307S	Face fix steel, double track
	H9/307S	Restricted headroom face fix steel
		<i>For closed and jointing bracket option please contact our Technical Sales Team.</i>
Hangers (2 per door)	H53FJ	Timber doors - apron fixing
	H56FJ	Metal doors - angle frame
	H56FJX	Metal doors - box frame
Guides	H31D	Wall guide, double
	H31S	Wall guide, single
	H102/97	Timber doors
	H104P/97	Metal doors – angle frame
	H104PX/97	Metal doors – box frame
	H106/97	Timber doors – concealed fixing
	H126H	Ground stay roller
	H128	Shoe guide
		<i>All steel parts are electro zinc-plated.</i>
Channels	H89	Galvanised steel (2000, 3000 & 4000mm lengths)
	H97	Galvanised steel (2000, 3000, 4000 & 6000mm lengths)
Rail	H299	Galvanised steel (2000, 2500 & 3000mm lengths)





NOT TO SCALE

HENDERSON

SECTION C

straight sliding bottom
roller systems



HENDERSON

STRAIGHT SLIDING BOTTOM ROLLER SYSTEMS

Section Index and General Guide

Select system for your bottom roller application.	Residential	Commercial	Industrial	Max. Door	Product	Data Sheet
APPLICATION						
<i>Residential</i>						
For small cupboards and serving hatches	■			25kg	Cello	C20
For wardrobes or large cupboards	■			25kg	Loretto	C30
For sliding doors	■	■		170kg	Mansion	C40
<i>Commercial</i>						
For interior and exterior doors. To suit one or more doors	■	■		200kg	Imperial 200	C50
For interior and exterior doors. To suit one or more doors	■	■		270kg	Majestic 270	C60
<i>Industrial</i>						
For timber or metal doors. To suit one or more doors.		■	■	225kg	Sterling 225	C70
For timber or metal doors. To suit one or more doors			■	350kg	Sterling 350	C80
For timber or metal doors and gates			■	800kg	Sterling 800	C90
For timber or metal doors and gates			■	2000kg	Sterling 2000	C100
For heavy metal framed doors and gates			■	3600kg	Sterling 3600 & 8000	C110

CELLO

straight
sliding
bottom
roller
systems

For bottom rolling wardrobe doors. Max 25kg each leaf.

APPLICATION

- Ideal for wardrobe and cupboard doors
- For timber framed and composite doors
- Easy height adjustment
- 2 or 3 door kits are available to create an opening width of 2400mm

DOOR SPECIFICATION

Track System	Cello
For Individual Door Leaves:	
Max Panel Weight	25kg
Max Panel Width	920mm
Panel Thickness	16-40mm
Max Panel Height	2400mm

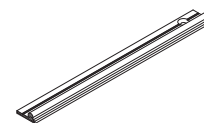
STANDARD SETS AND PACKS

Sets comprises of top/bottom rail x4 (H80X), face fix nylon guides- x4 for 2 doors, x3 for 3 doors, face fix nylon wheeled bottom rollers x4 for 2 doors, and x3 for doors

Set No	Opening width	Track length	Hardware for
HC15	1500mm	1500mm	2 doors
HC18	1800mm	1800mm	2 doors
HC24	2400mm	2400mm	3 doors
Pack No	Application		
HC1	Single Door fittings pack		

HARDWARE SPECIFICATION

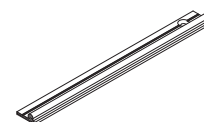
Rail	H80X	Aluminium top and bottom rail <i>Available 1200, 1500, 1800, 2400, 3600mm lengths</i>
Guides	HC/TG	Top guide
Bottom Rollers	HC/BR	Nylon wheeled bottom rollers
Accessories		



H80X - Top Guide



HC/TG - Top Guide



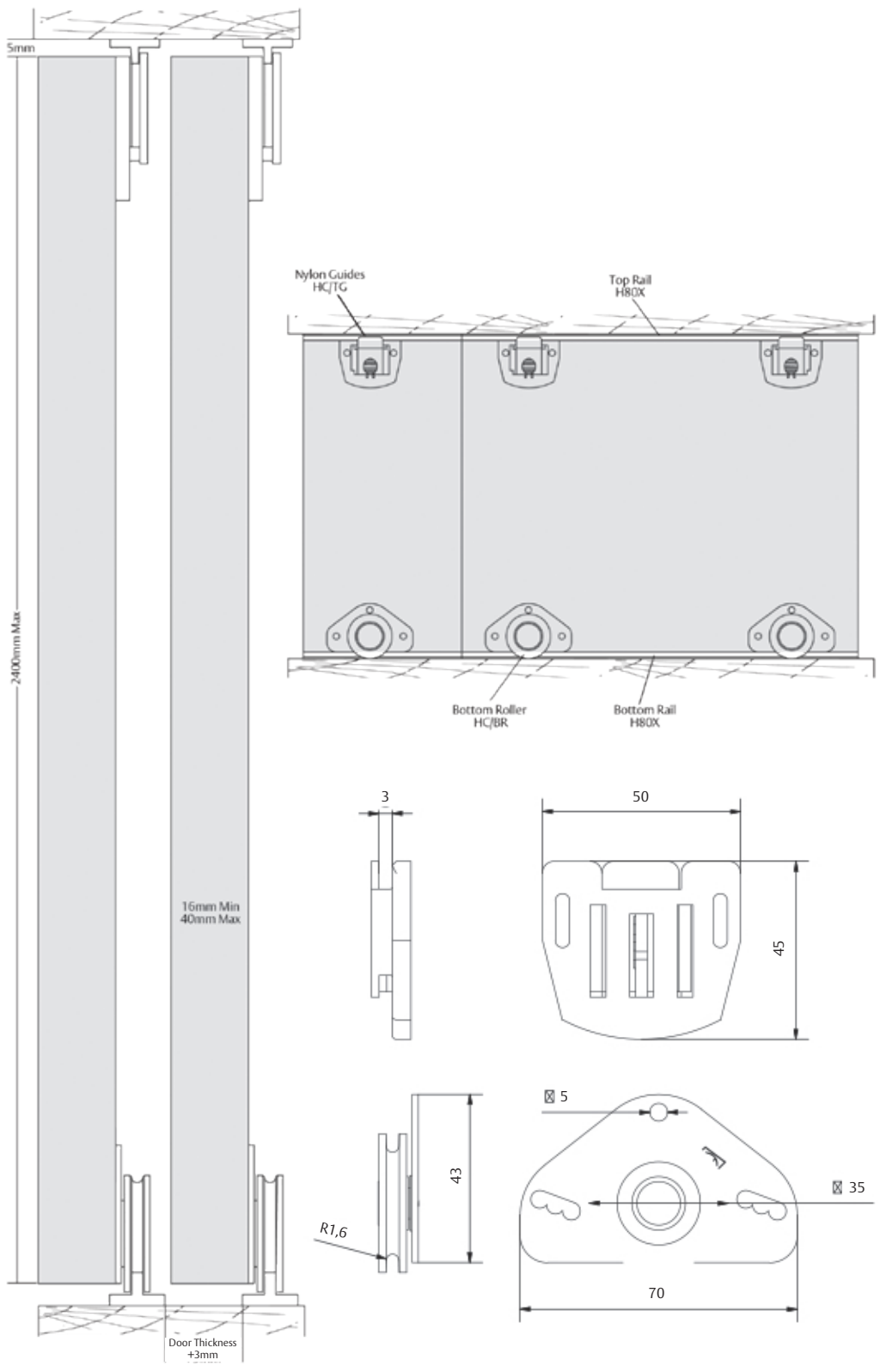
H80X - Bottom Rail



HC/BR - Bottom Roller



HENDERSON



NOT TO SCALE

LORETTO

straight
sliding
bottom
roller
systems

For bottom rolling wardrobe doors. Max 25kg each leaf.

APPLICATION

- Ideal for wardrobe and cupboard doors
- For timber framed and composite doors
- Quiet and smooth - nylon guides and rollers

DOOR SPECIFICATION

Track System	Loretto
For Individual Door Leaves:	
Max Panel Weight	25kg
Max Panel Width	900mm
Panel Thickness	20-45mm
Max Panel Height	2400mm

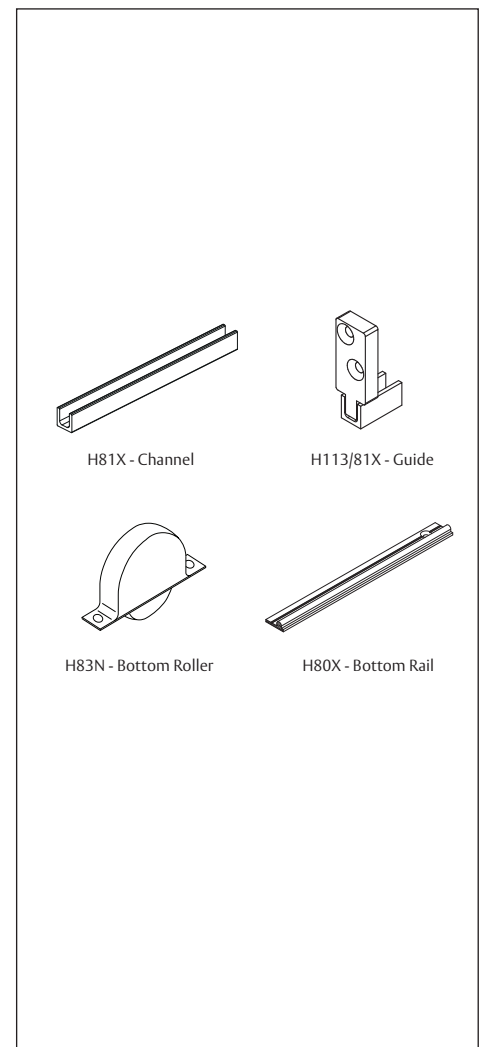
STANDARD SETS AND PACKS

Sets comprises of Bottom Rail x2 (**H80X**), Top Guide Channel x2 (**H81X**), Nylon Bottom Rollers x4 (**H83N**), Nylon Top Guides x4 (**H113/81X**) for 2 doors

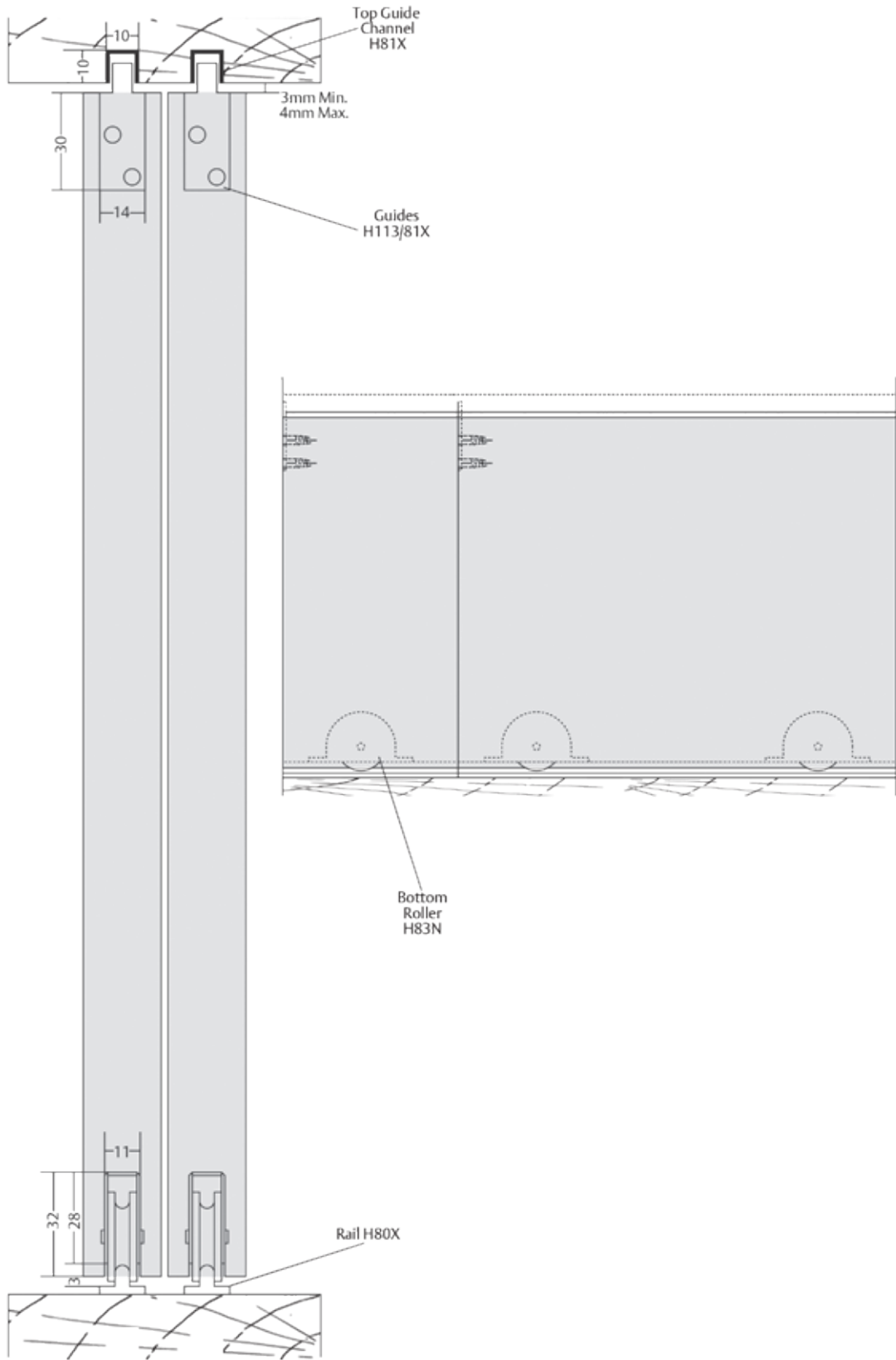
Set No	Opening width	Track length	Hardware for
HD4	1200mm	1200mm	2 doors
HD5	1500mm	1500mm	2 doors
HD6	1800mm	1800mm	2 doors

HARDWARE SPECIFICATION

Rail	H80X	Aluminium top and bottom rail <i>Available 1200, 1500, 1800, 2400, 3600mm lengths</i>
Channel	H81X	Aluminium top guide channel <i>Available 2400, 3600mm lengths</i>
Guides	H113/81X	Top guide
Bottom Rollers	H83N	Nylon wheeled bottom rollers
Accessories		



HENDERSON



NOT TO SCALE

HENDERSON

MANSION

straight
sliding
bottom
roller
systems

For bottom roller sliding residential doors. Max 80-170kg each.

APPLICATION

- For interior and exterior applications
- Ideally suited to premium joinery installations and applications where the supporting structure or lintel is insufficient for the weight of the door or where the headroom is limited
- Designed for straight sliding partitions or fully glazed patio doors, also suitable for flush or panelled doors
- To cover the width of opening, any number of doors can be used on single or multiple lines or rail, doors can slide to one or both sides
- Where fitted externally, a canopy is recommended to protect the top guide channel, brackets and top guide rollers

DOOR SPECIFICATION

Rail System	Mansion
For Individual Doors:	
Max Door Weight	80 or 170kg
Min Door Thickness	35mm
Max Door Height	2600mm

Doors must be constructed with bottom rails of at least 150mm depth to accommodate the concealed, mortised bottom rollers. Door weight is carried on the floor permitting the use of a light overhead structure.

HARDWARE SPECIFICATION

Top Guide Tee **H906TA** Aluminium
Not recommended in situations where the door is likely to warp since the door could bind on the tee. The preferred option is the top guide channel and rollers.

Top Guide Channel **H94X** Aluminium (2000, 3000, 4000 & 6000mm lengths)
H94 Brass (1500 & 3000mm lengths)
H94PSC Aluminium supporting channel and polypropylene (2000, 3000, 4000 & 6000mm lengths)
H900 Aluminium (2000, 3000, 4000 & 6000mm lengths)

Brackets **H1/SS** For single line - face fitted stainless steel
H5/SS For double line - face fitted stainless steel
Fix at 900mm centres (max.)

Top Guide Rollers **H106HSS/94** Top plate fitting - single stainless steel bearing roller
H113SS/94 Angle plate fitting - single stainless steel bearing roller
(2 per door) **H261SS/900** Top plate fitting - stainless steel with double nylon rollers one adjustable laterally to prevent rattle

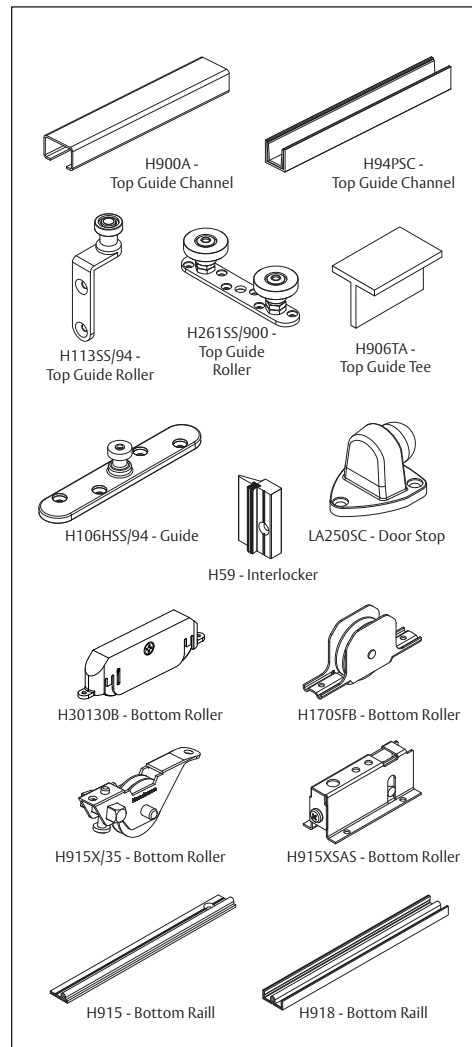
Bottom Rollers **H170SFB** Brass roller with roller bearing in stainless steel body (170kg/door)
(2 per door) **H915X/35** Brass roller with roller bearing in zinc plated body (110kg/door)
H915XSAS Stainless steel roller, bearing and body. 10mm vertical adjustment (170kg per door)
H30130B Nylon roller, carbon bearing and plastic body. 10mm vertical adjustment (100kg per door)

Bottom Rail **H915B** Brass (2000, 3000, 4000 & 6000mm lengths)
H915X Aluminium (2000, 3000, 4000 & 6000mm lengths)
H918 Brass (3000mm lengths)
Rails are drilled and countersunk for screwing to timber floor.

Interlocker *Interlocking seal as per H200 page C50*
Accessories *Please contact our Technical Sales Team for more information*

Frame Seal *Please contact our Technical Sales Team for more information*

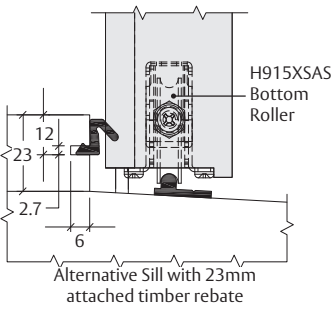
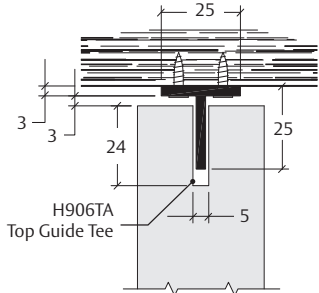
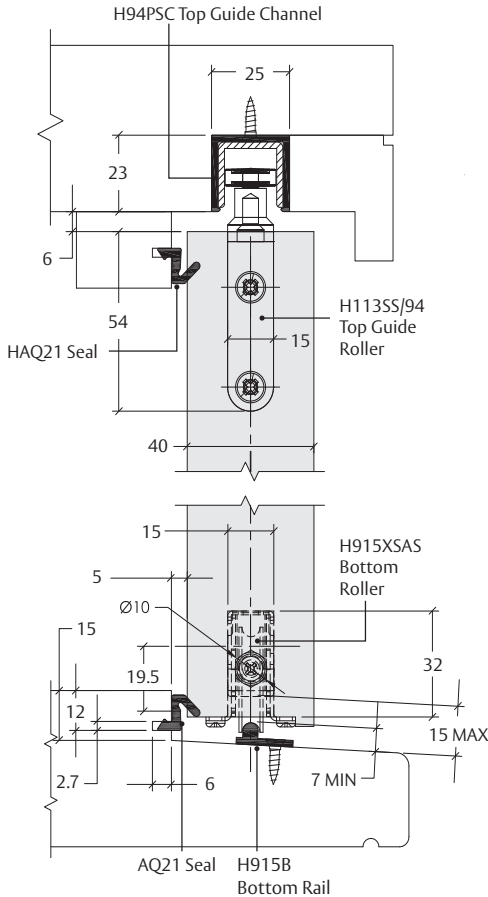
Door Stop **HH2/SS** In channel door stop to suit 900 channel
LA250C Floor mounted door stop



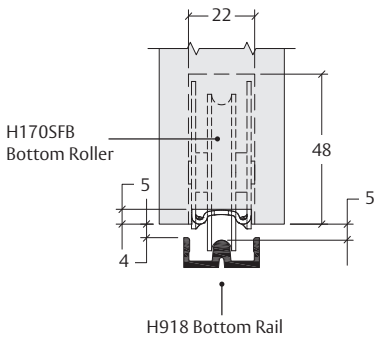
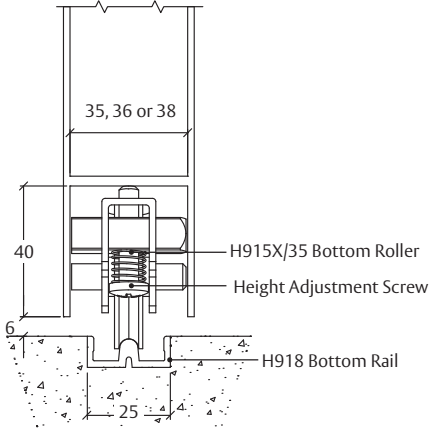
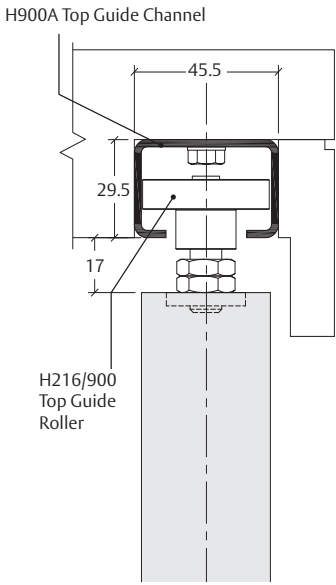
HENDERSON



HENDERSON



NOT TO SCALE



IMPERIAL 200

straight
sliding
bottom
roller
systems

For bottom roller sliding residential doors. Max 200kg each.

APPLICATION

- For timber sliding doors, interior and exterior applications
- Designed for straight sliding partitions or fully glazed patio doors and flushed panel doors
- Suited for where the supporting structure or lintel is insufficient for the weight of the door or where headroom is limited
- To cover the width of opening, any number of doors can be used on single or multiple lines or rail, doors can slide to one or both sides
- Where fitted externally, a canopy is recommended to protect the top guide channel, brackets and top guide rollers

DOOR SPECIFICATION

Rail System Imperial 200

For Individual Doors:

Max Door Weight 200kg
Min Door Thickness 40mm
Max Door Height 3000mm

Doors can be constructed with bottom rails of at least 150mm depth to accommodate the concealed, mortised bottom rollers. Door weight is carried on the floor permitting the use of a light overhead structure.

HARDWARE SPECIFICATION

Top Guide Tee **H906TA** Light Duty - Aluminium
Not recommended in situations where the door is likely to warp since the door could bind on the tee. The preferred option is the top guide channel and rollers. Top tee guide is drilled and countersunk for direct fitting to soffit.

Top Guide Channel **H94X** Aluminium (2000, 3000, 4000 & 6000mm lengths)
H94X/A Anodised aluminium (2000, 3000, 4000 & 6000mm lengths)
H94P Polypropylene (2000, 3000, 4000 & 6000mm lengths)
H94PSC Aluminium supporting channel and polypropylene (2000, 3000, 4000 & 6000mm lengths)
H900A Anodised aluminium (2000, 3000, 4000 & 6000mm lengths)

Brackets **H1/SS** For single line - face fixed stainless steel
H5H/SS For double line - face fixed stainless steel
Fix at 900mm centres (max.)

Top Guide Rollers (2 per door) **H106HSS/94** Timber doors - concealed fixing with SS bearing
H113SS/94 Corner fitting - stainless steel with stainless steel bearings
H261SS/900 Top plate fitting for 900 channels - stainless steel with anti-rattle double nylon rollers

Bottom Rollers (2 per door) **H200** Stainless steel with precision stainless steel ball bearing wheels with side access adjustment
(black and white plug included)

Bottom Rail **H915B** Brass (2000, 3000, 4000 & 6000mm lengths)
H915X Aluminium (2000, 2500, 3000 & 4000mm lengths)
H918 Brass (1500, 2000 & 3000mm lengths)
Drilled and countersunk

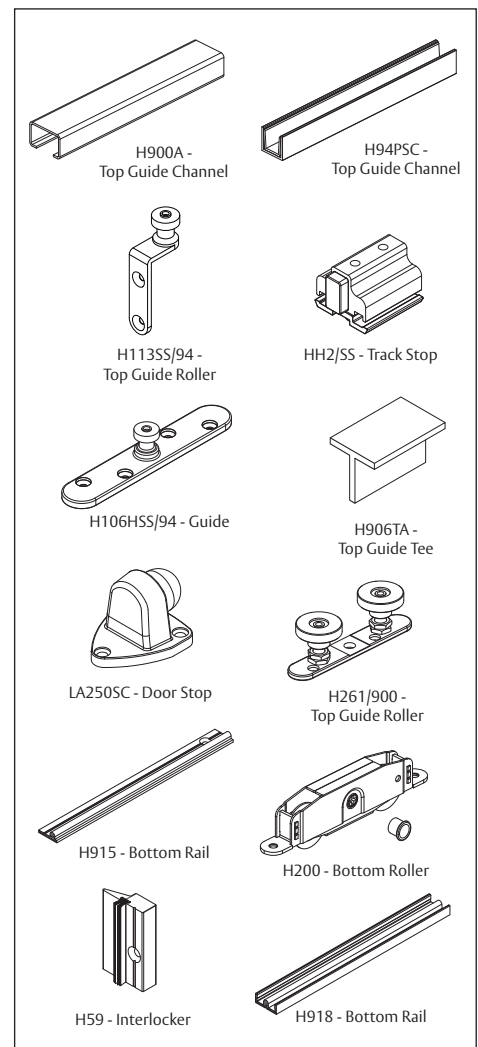
Accessories

Interlocking Seal **H59BZ/4800** Bronze anodised (4800mm to suit typical 2400mm door height)
H59CA/4800 Clear anodised aluminium (4800mm to suit typical 2400mm door height)

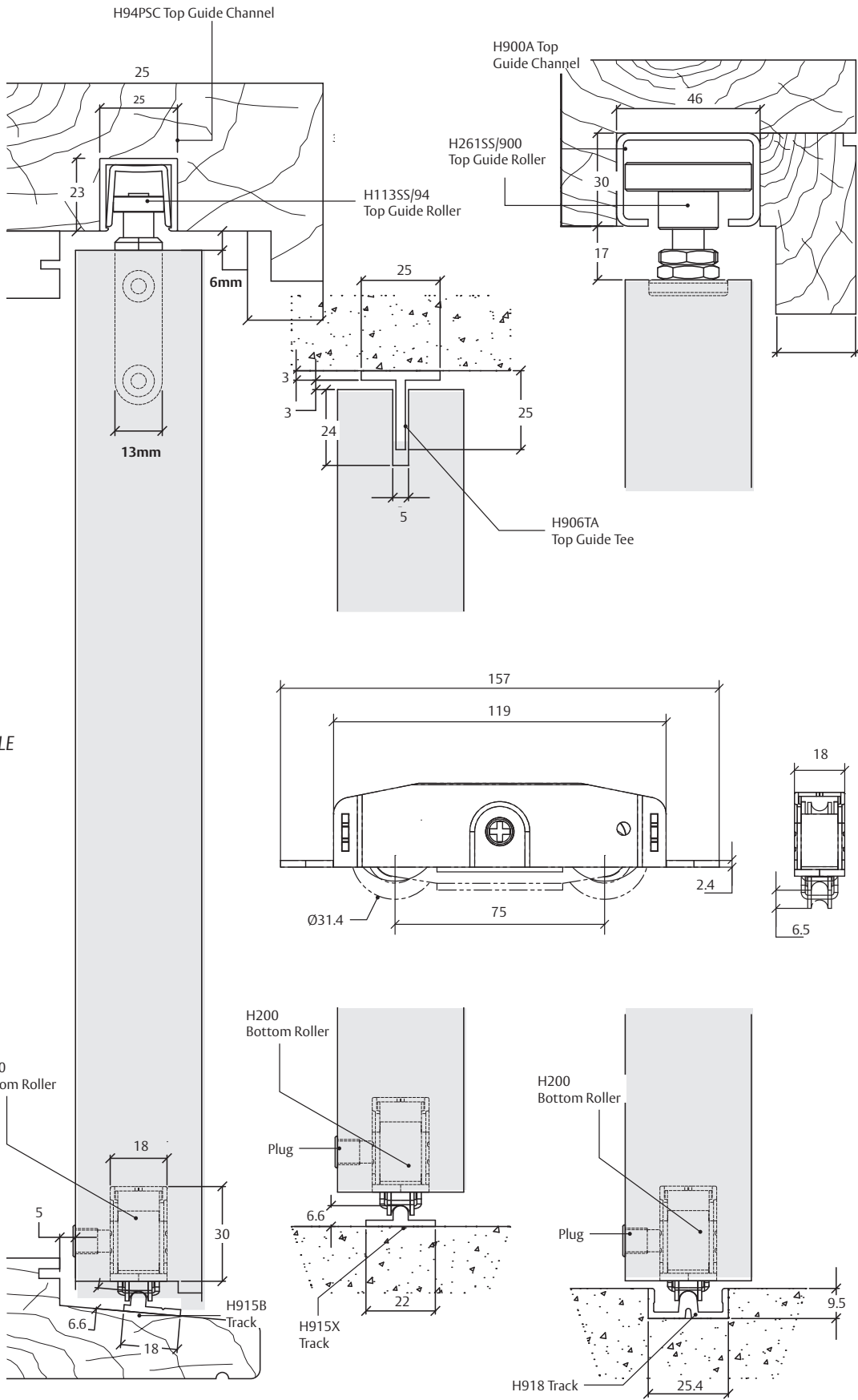
Frame Seal *Please contact our Technical Sales Team for more information*

Door Stop **HH2/SS** In channel door stop to suit 900 channel

LA250C Floor mounted door stop



HENDERSON



NOT TO SCALE

MAJESTIC 270

straight
sliding
bottom
roller
systems

For bottom roller sliding residential doors. Max 270kg each.

APPLICATION

- For timber sliding doors, interior and exterior applications
- Designed for heavy straight sliding partitions or fully glazed patio doors and flushed panel doors
- Suited for where the supporting structure or lintel is insufficient for the weight of the door or where headroom is limited
- To cover any width of opening, any number of doors can be used on single or multiple lines
- Where fitted externally, a canopy is recommended to protect the top guide channel, brackets and top guide rollers

DOOR SPECIFICATION

Rail System **Majestic 270**

For Individual Doors:

Max Door Weight 270kg
Min Door Thickness 44-57mm
Max Door Height 3300mm

Doors can be constructed with a deep bottom section of minimum depth of 175mm to accommodate the concealed, mortised bottom rollers.

HARDWARE SPECIFICATION

Top Guide Channel **H900** Galvanised steel with safety lip (2000, 2500 & 3000mm lengths)
 H900A Anodised aluminium (2000, 3000, 4000 & 6000mm lengths)

Top Guide Brackets **H1/SS** For single line - face fixed stainless steel
 H1/900 For single line - face fixed pressed steel
 H3/900 For single line - soffit fixed pressed steel
 H5/900 For double line - face fixed pressed steel
 H5H/SS For double line - face fixed stainless steel
 Fix at 900mm centres (max.)

Top Guide Rollers **H203/900** Angle plate fitting - zinc plated steel with double adjustable anti-rattle rollers
(2 per door) **H261SS/900** Top plate fitting - stainless steel with double adjustable anti-rattle nylon rollers

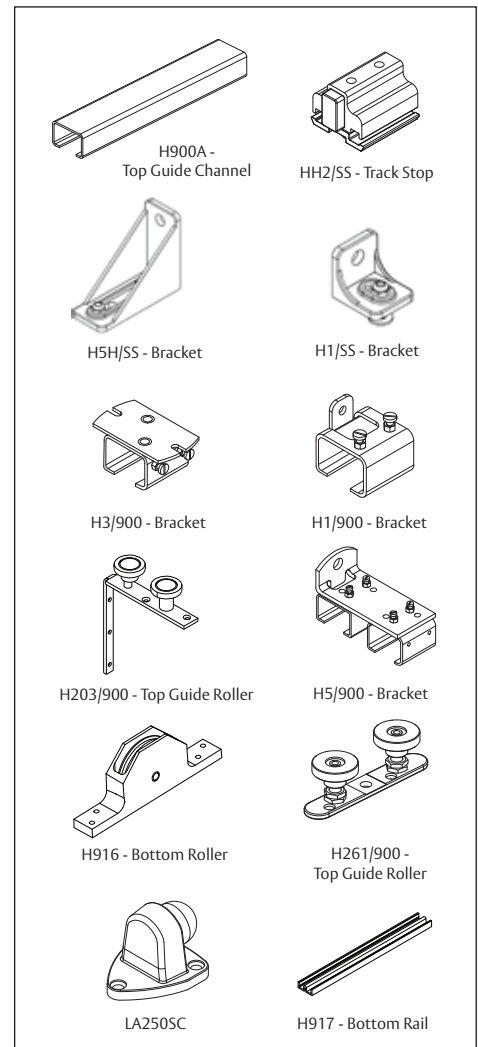
Bottom Rollers **H916** Aluminium housing with brass wheel
(2 per door)

Bottom Rail **H917** (1500, 2000, 3000 & 4000mm lengths)

Accessories

Frame Seal **HAQ21W** Frame perimeter seal - white
 HAQ21B Frame perimeter seal - brown
 HAQ48W Door seal - white
 HAQ63B Door seal - brown

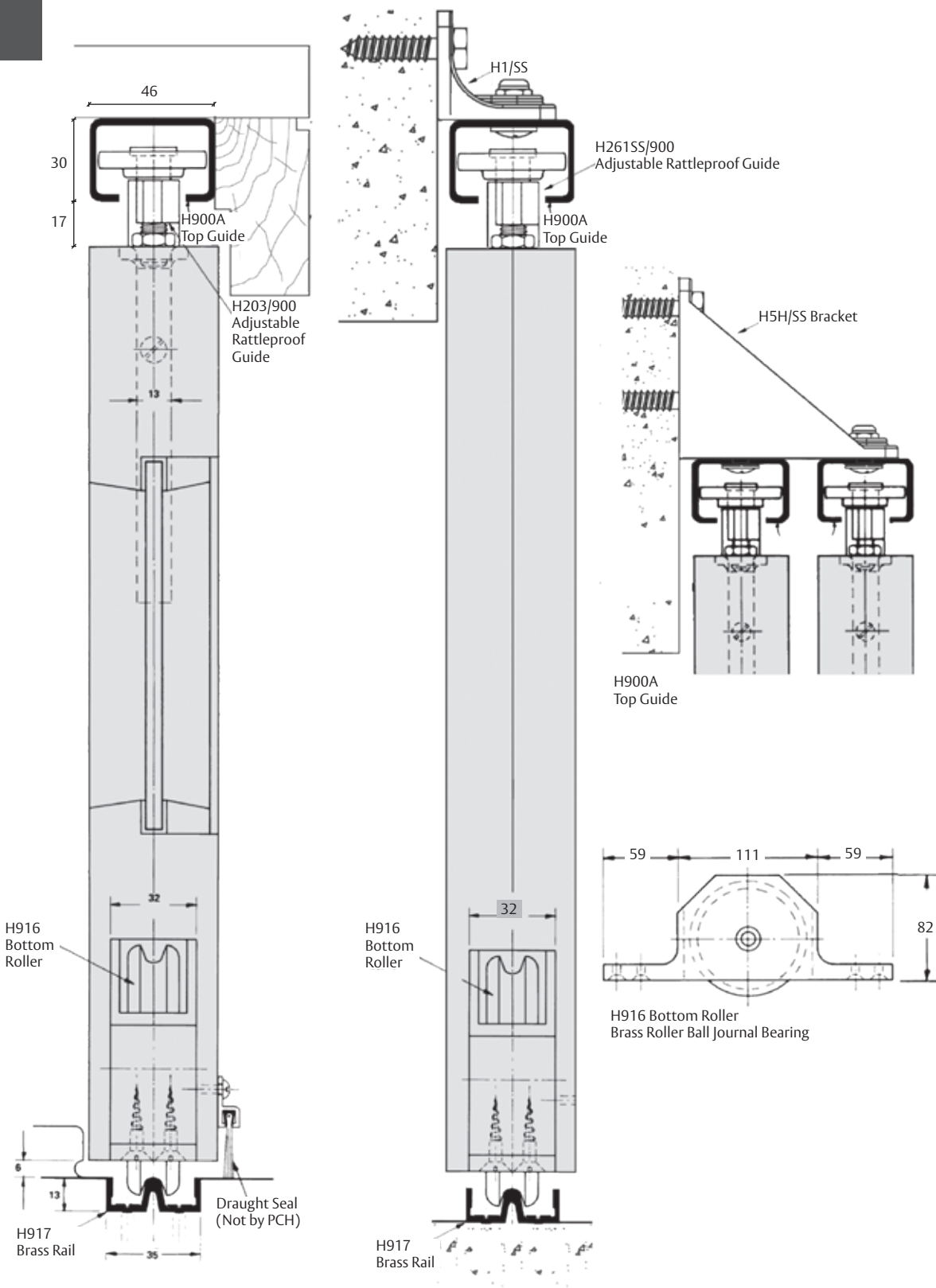
Door Stop **HH2/SS** In channel door stop to suit 900 channel
 LA250SC Floor mounted door stop



HENDERSON



HENDERSON



STERLING 225

straight
sliding
bottom
roller
systems

For bottom roller sliding commercial doors. Max 225kg each leaf.

APPLICATION

- For timber or metal doors on exterior applications
- Designed for commercial or industrial straight sliding partitions
- Suited for where the supporting structure or lintel is insufficient for the weight of the door or where headroom is limited
- To cover any width of opening, any number of doors can be used on single or multiple lines
- The bottom rail can be recessed, allowing traffic to pass over the rail without obstruction
- Where fitted externally, a canopy is recommended to protect the top guide channel, brackets and top guide rollers

DOOR SPECIFICATION

Rail System Sterling 225

For Individual Door Leaves:

Max Door Weight 225kg
Min Door Thickness 44-50mm
Max Door Height 3300mm

Doors can be constructed with a deep bottom section of minimum depth of 230mm. For ease of operation, it is recommended the door width be at least 50% of the door height.

HARDWARE SPECIFICATION

Top Guide Channel **H900** Galvanised steel with safety lip (2000, 2500 & 3000mm lengths)
H900A Anodised aluminium (2000, 3000, 4000 & 6000mm lengths)

Top Guide Brackets **H1/SS** For single line - face fixed stainless steel
H1/900 For single line - face fixed pressed steel
H3/900 For single line - soffit fixed pressed steel
H5/900 For double line - face fixed pressed steel
H5H/SS For double line - face fixed stainless steel
Fix at 900mm centres (max.)

Top Guide Rollers **H54/900** Timber doors in industrial applications
H104/900 Metal doors in industrial applications
(2 per door) H203/900 Angle plate fitting - zinc plated steel with double adjustable anti-rattle rollers
H261SS/900 Top plate fitting - stainless steel with double adjustable anti-rattle rollers

Bottom Rollers **H5** Timber doors - zinc plated steel
H5S Metal doors - zinc plated steel
(2 per door) H5SU Metal doors (bolt on) - zinc plated steel

Bottom Rail **H299** Galvanised steel (2000, 2500 & 3000mm lengths)

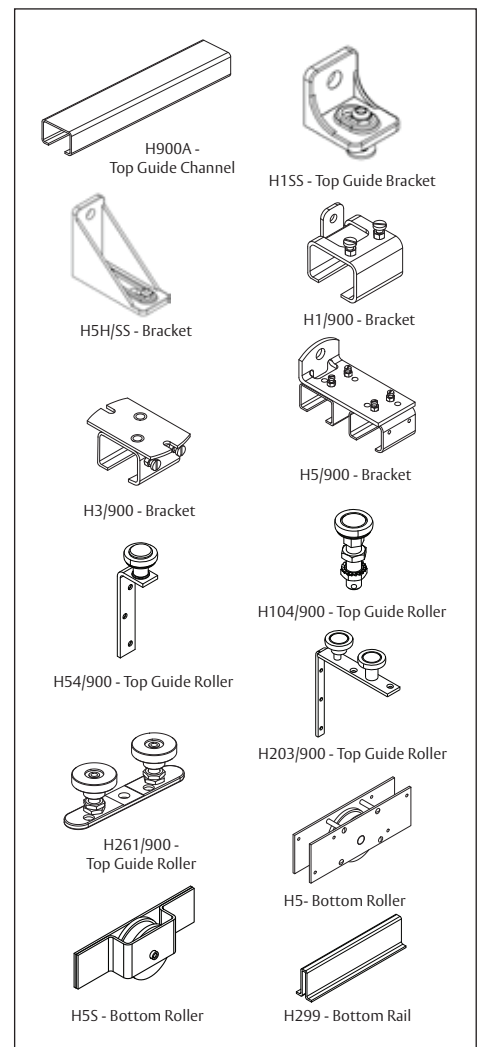
Accessories

Flush Pull **H414** Diecast aluminium

Bow Handle **H463** Zinc plated cast iron

Flushbolt **H78** Zinc plated steel

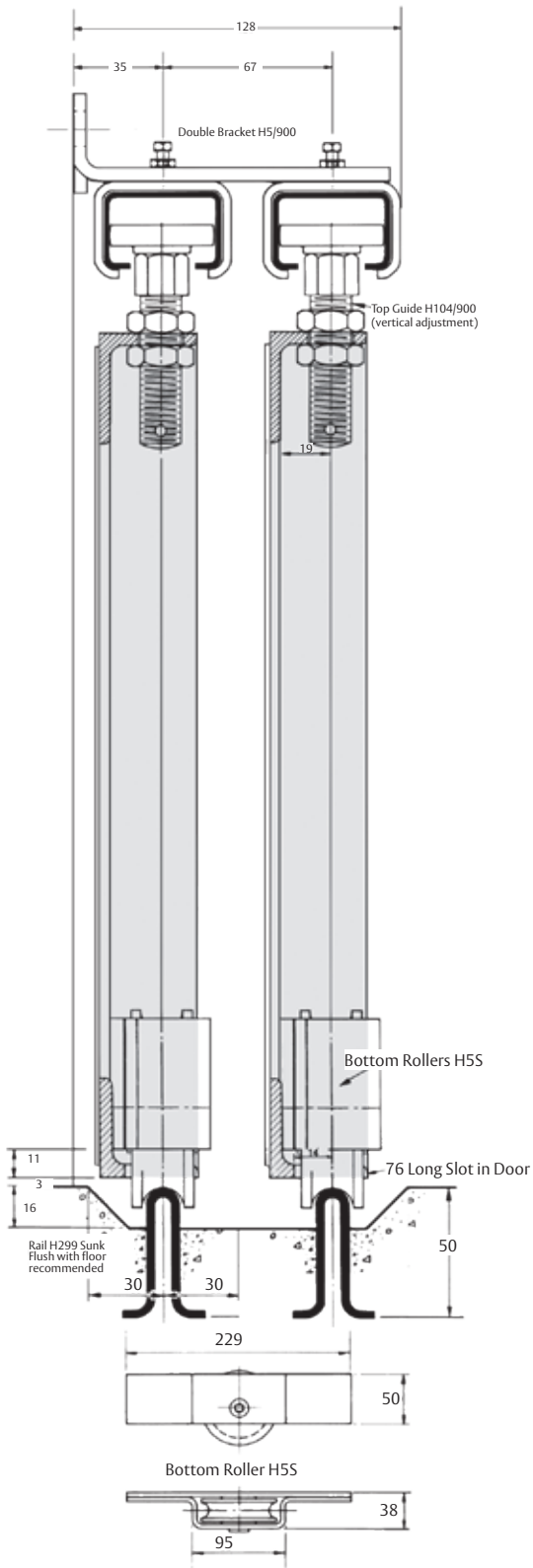
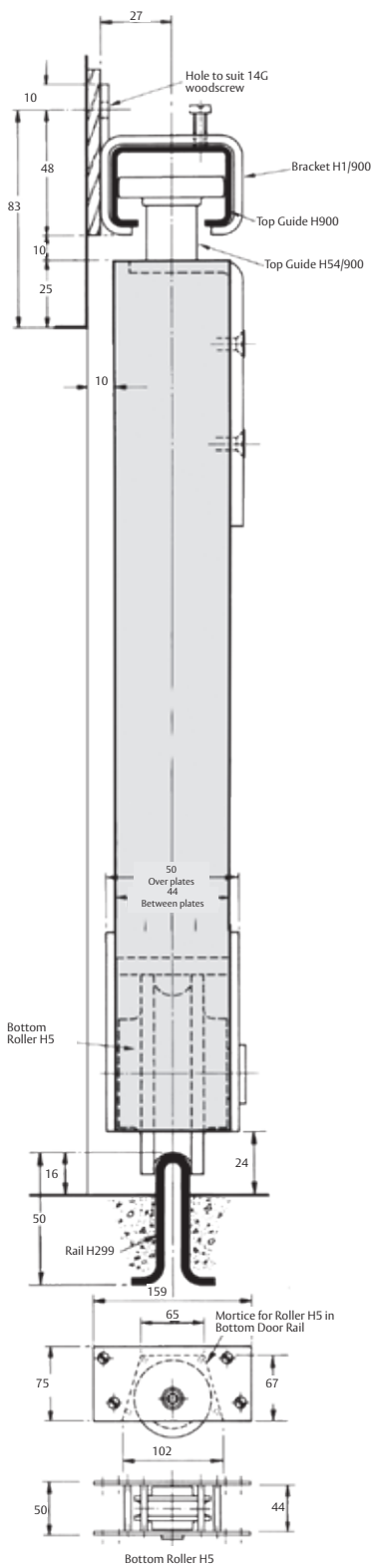
Bolts **H994** Surface bolt, 380mm, zinc plated steel
H994S Surface bolt locking, 380mm, zinc plated steel



HENDERSON



HENDERSON



STERLING 350

straight
sliding
bottom
roller
systems

For bottom roller sliding commercial doors. Max 350kg each leaf.

APPLICATION

- For timber or metal doors on exterior applications
- Designed for commercial or industrial straight sliding partitions
- Suited for where the supporting structure or lintel is insufficient for the weight of the door or where headroom is limited
- To cover any width of opening, any number of doors can be used on single or multiple lines
- The top guide channel can be soffit or face fixed
- The bottom rail can be recessed, allowing traffic to pass over the rail without obstruction
- Where fitted externally, a canopy is recommended to protect the top guide channel, brackets and top guide rollers

DOOR SPECIFICATION

Rail System Sterling 350

For Individual Door Leaves:

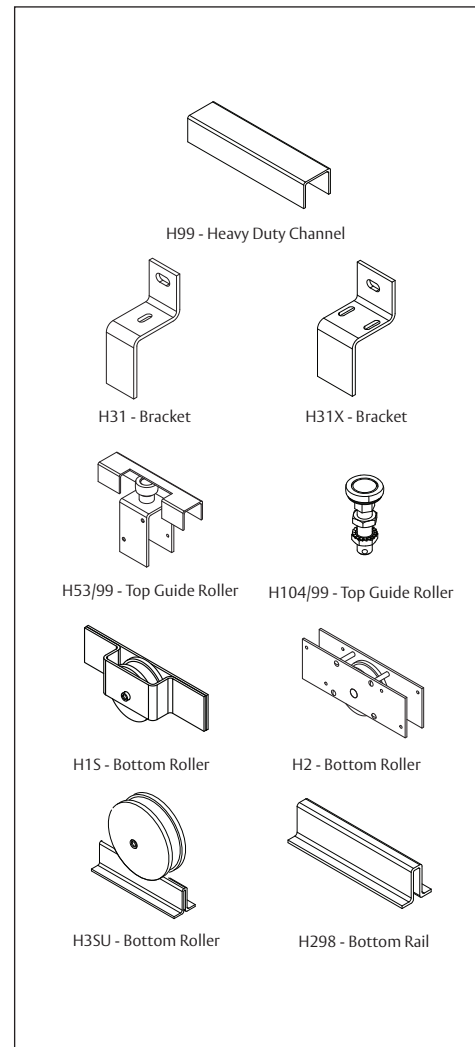
Max Door Weight	350kg
Min Door Thickness	44-54mm
Max Door Height	4000mm

Doors can be constructed with a deep bottom section of minimum depth of 230mm.

For ease of operation, it is recommended the door width be at least 50% of the door height.

HARDWARE SPECIFICATION

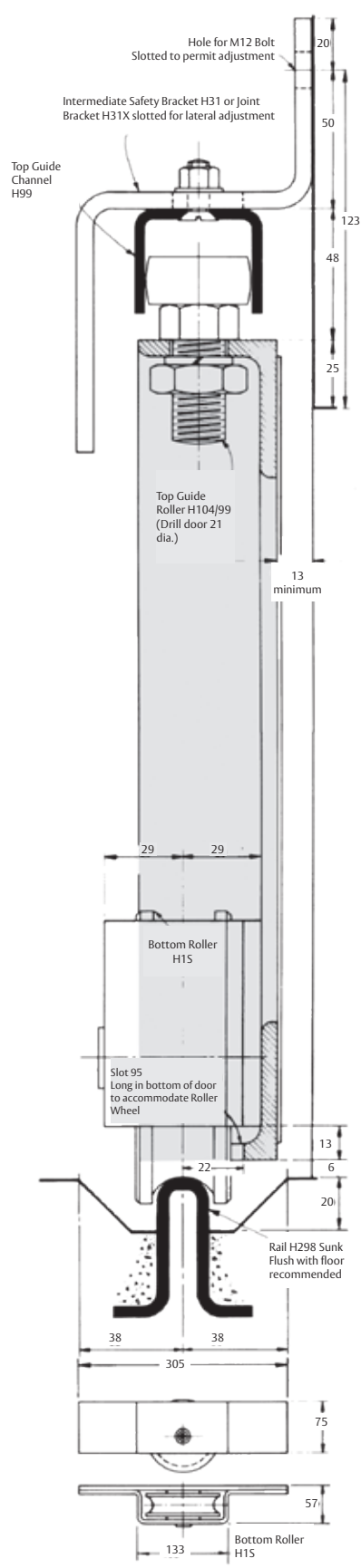
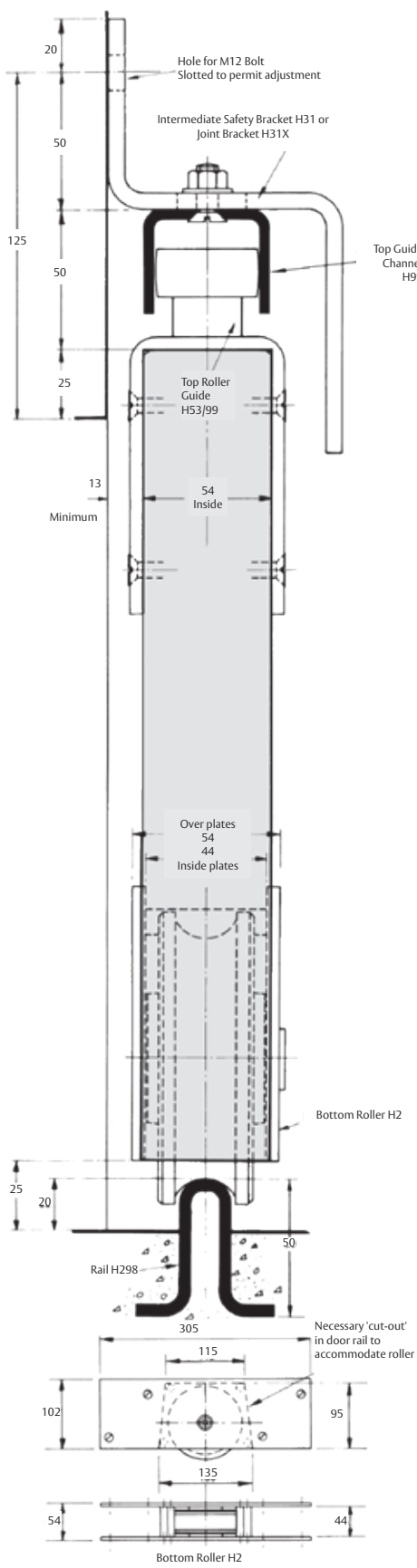
Top Guide Channel	H99	Heavy duty galvanised steel (2000, 2500 & 3000mm lengths)
Top Guide Brackets	H31	For single line - face fixed pressed steel
	H31X	Single line jointing - face fixed pressed steel
	H35	For double line - face fixed pressed steel
	H35X	Double line jointing - face fixed pressed steel Fix at 900mm centres (max.)
Top Guide Rollers (2 per door)	H53/99	Timber doors in industrial applications
	H104/99	Metal doors in industrial applications
Bottom Rollers (2 per door)	H1S	Metal doors - zinc plated
	H1SU	Metal doors (bolt on) - zinc plated
	H2	Timber doors - zinc plated
Bottom Rail	H298	Galvanised steel (2000, 2500 & 3000mm lengths)
Accessories		
Flush Pull	H414	Diecast aluminium, 133 x 60mm
Bow Handle	H463	Zinc plated cast iron, 159 x 46mm
Flushbolt	H78	Zinc plated steel, 127 x 45mm
Bolts	H994	Surface bolt, 380mm, zinc plated steel
	H994S	Surface bolt locking, 380mm, zinc plated steel



HENDERSON



HENDERSON



STERLING 800

straight
sliding
bottom
roller
systems

For bottom rolling timber or metal doors. Max 800kg each leaf.

APPLICATION

- For timber or metal doors on exterior applications
- Designed for commercial or industrial straight sliding partitions
- Suited for where the supporting structure or lintel is insufficient for the weight of the door or where headroom is limited
- To cover any width of opening, any number of doors can be used on single or multiple lines
- The top guide channel can be soffit or face fixed
- The bottom rail can be recessed allowing traffic to pass over the rail without obstruction
- Where fitted externally, a canopy is recommended to protect the top guide channel, brackets and top guide rollers

DOOR SPECIFICATION

Rail System Sterling 800

For Individual Door Leaves:

Max Door Weight	800kg
Min Door Thickness	54-63mm
Max Door Height	5200mm

Doors can be constructed with a deep bottom section of minimum depth of 230mm.

For ease of operation, it is recommended the door width be at least 50% of the door height.

HARDWARE SPECIFICATION

Top Guide Channel **H99** Heavy duty galvanised steel (2000, 2500 & 3000mm lengths)

Top Guide Brackets **H31** For single line - face fixed pressed steel
H31X Single line jointing - face fixed pressed steel
H35 For double line - face fixed pressed steel
H35X Double line jointing - face fixed pressed steel
Fix at 900mm centres (max.)

Top Guide Rollers **H53/99** Timber doors in industrial applications
H104/99 Metal doors in industrial applications
(2 per door)

Bottom Rollers **H3** Timber doors - zinc plated
H35 Metal doors - zinc plated
(2 per door) **H3SU** Metal doors (bolt on) - zinc plated

Bottom Rail **H298** Galvanised steel (2000, 2500 & 3000mm lengths)

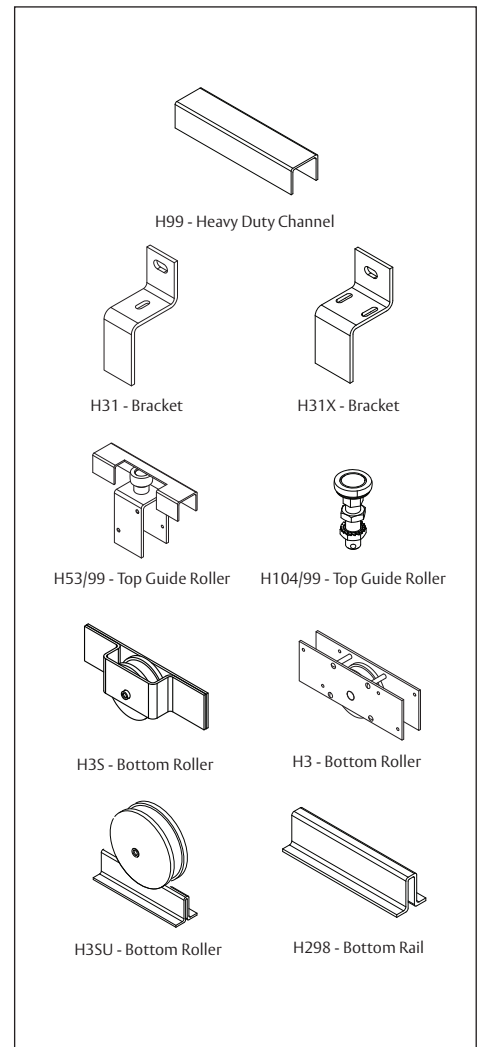
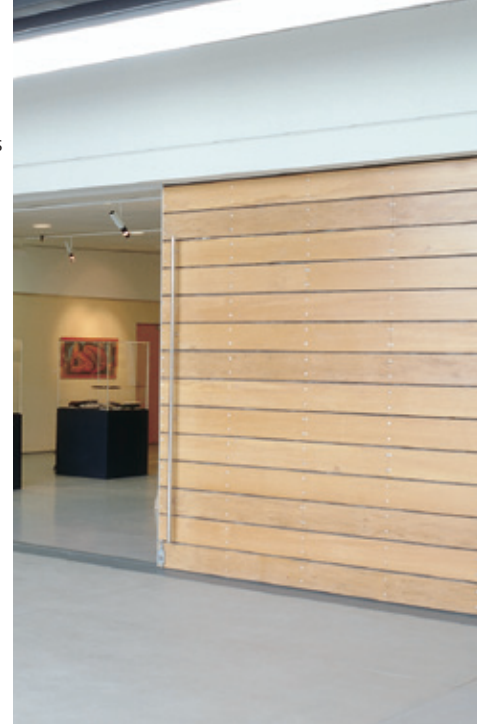
Accessories

Flush Pull **H414** Diecast aluminium, 133 x 60mm

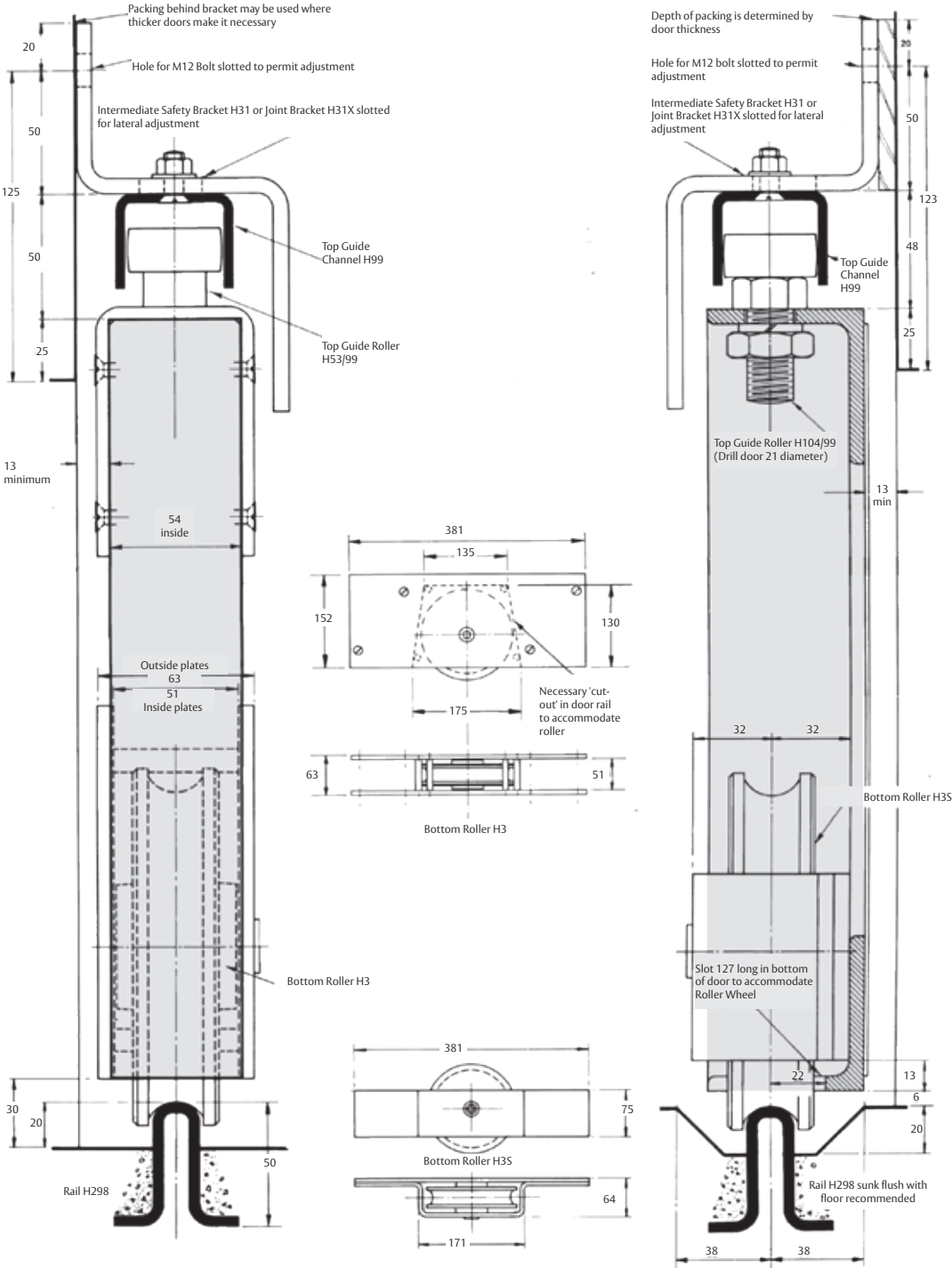
Bow Handle **H463** Zinc plated cast iron, 159 x 46mm

Flushbolt **H78** Zinc plated steel, 127 x 45mm

Bolts **H994** Surface bolt, 380mm, zinc plated steel
H994S Surface bolt locking, 380mm, zinc plated steel



HENDERSON



HENDERSON

STERLING 2000

straight
sliding
bottom
roller
systems

For bottom rolling timber or metal doors. Max 2000kg each leaf.

APPLICATION

- For timber or metal doors on exterior applications
- Designed for commercial or industrial straight sliding partitions
- Suited for where the supporting structure or lintel is insufficient for the weight of the door or where headroom is limited
- To cover any width of opening, any number of doors can be used on single or multiple lines
- The top guide channel can be soffit or face fixed
- The bottom rail can be recessed allowing traffic to pass over the rail without obstruction
- Where fitted externally, a canopy is recommended to protect the top guide channel, brackets and top guide rollers

DOOR SPECIFICATION

Rail System **Sterling 2000**

For Individual Door Leaves:

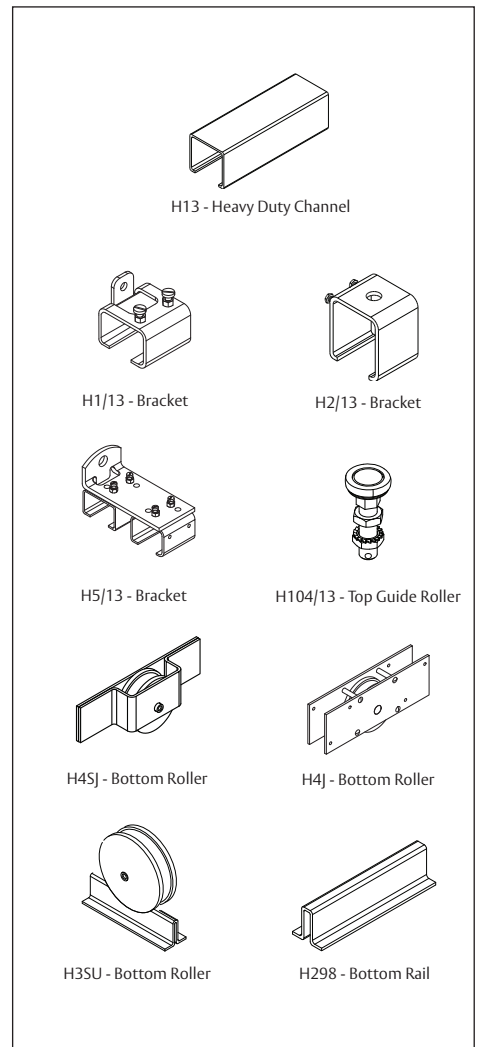
Max Door Weight	2000kg
Min Door Thickness	58-70mm
Max Door Height	7500mm

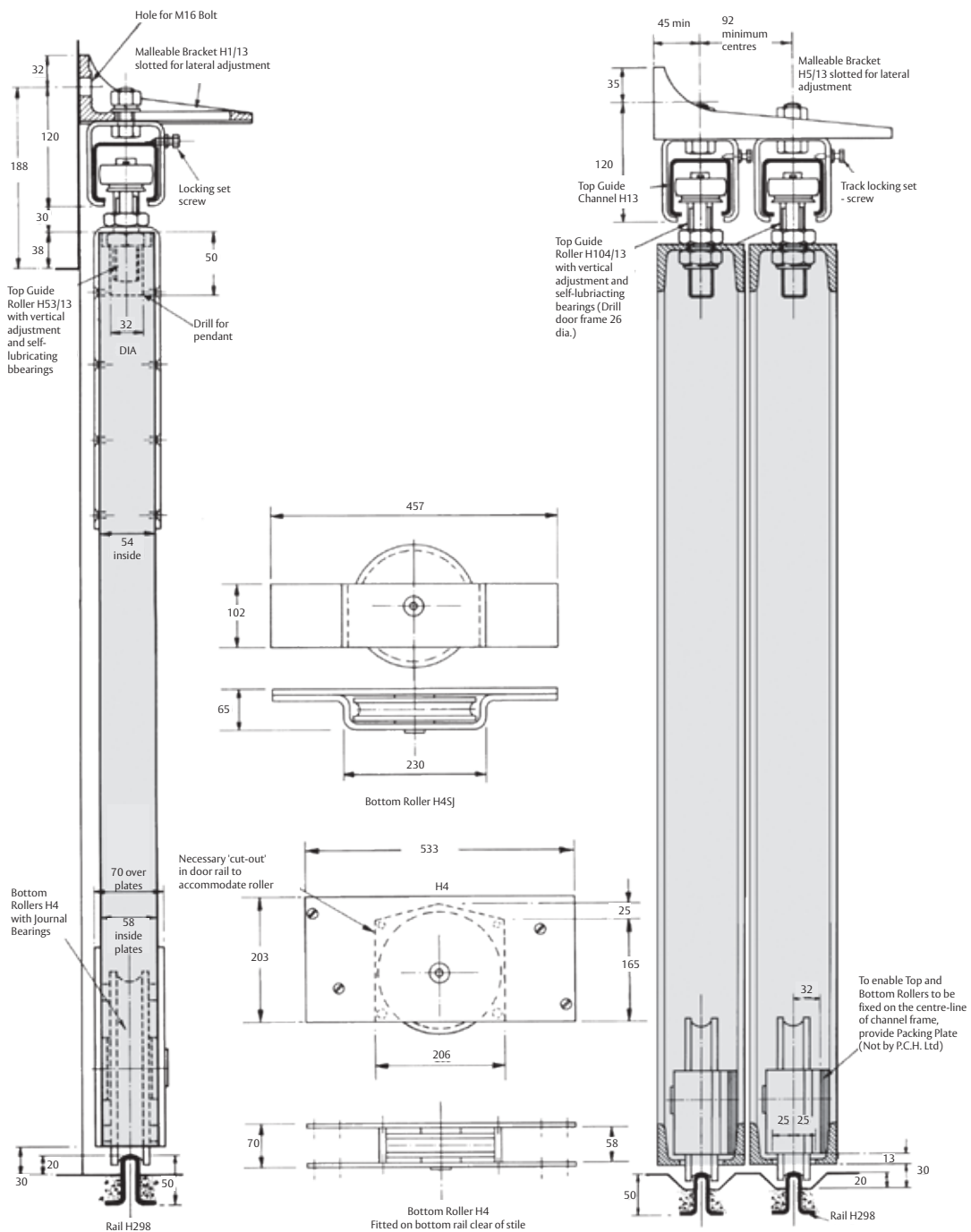
Doors can be constructed with a deep bottom section of minimum depth of 300mm.

For ease of operation, it is recommended the door width be at least 50% of the door height.

HARDWARE SPECIFICATION

Top Guide Channel	H13	Heavy duty rolled galvanised steel (2000, 2500 & 3000mm lengths)
Top Guide Brackets	H1/13 H2/13 H5/13	For single line - face fixed pressed steel For single line - soffit fixed pressed steel For double line - face fixed pressed steel Fix at 900mm centres (max.)
Top Guide Rollers (2 per door)	H53/13 H104/13	Timber doors in industrial applications Metal doors in industrial applications
Bottom Rollers (2 per door)	H4J H4SJ H4SJU	Timber doors - zinc plated Metal doors - zinc plated Metal doors (bolt on) - zinc plated
Bottom Rail	H298	Galvanised steel (2000, 2500 & 3000mm lengths)
Accessories		
Flush Pull	H414	Diecast aluminium, 133 x 60mm
Bow Handle	H463	Zinc plated cast iron, 159 x 46mm
Flushbolt	H78	Zinc plated steel, 127 x 45mm
Bolts	H994 H994S	Surface bolt, 380mm, zinc plated steel Surface bolt locking, 380mm, zinc plated steel





STERLING 3600 & 8000

For bottom rolling timber or metal doors. Max 3600kg or 8000kg each leaf.

APPLICATION

- For very high and heavy straight sliding industrial doors
- The bottom rollers are designed for each individual application and are dependent on the thickness of the door
- The top guide channel is to be designed and incorporated into the building structure. *(This is not supplied by PC Henderson)*
- To cover the width of opening, any number of doors can be used on single or multiple lines
- Doors can be manually operated via mechanical operated drive unit and can be adapted for electrical operation

DOOR SPECIFICATION

Rail System	Sterling 3600	Sterling 8000
-------------	---------------	---------------

For Individual Door Leaves:

Max Door Weight	3600kg	8000kg
Min Door Thickness	152mm (min.)	152mm (min.)
Max Door Height	12500mm	20000mm

Door design must be carried out by an engineer.

The doors should be constructed to prevent any door twist.

The bottom rail must be set level and maybe recessed for protection from traffic.

HARDWARE SPECIFICATION

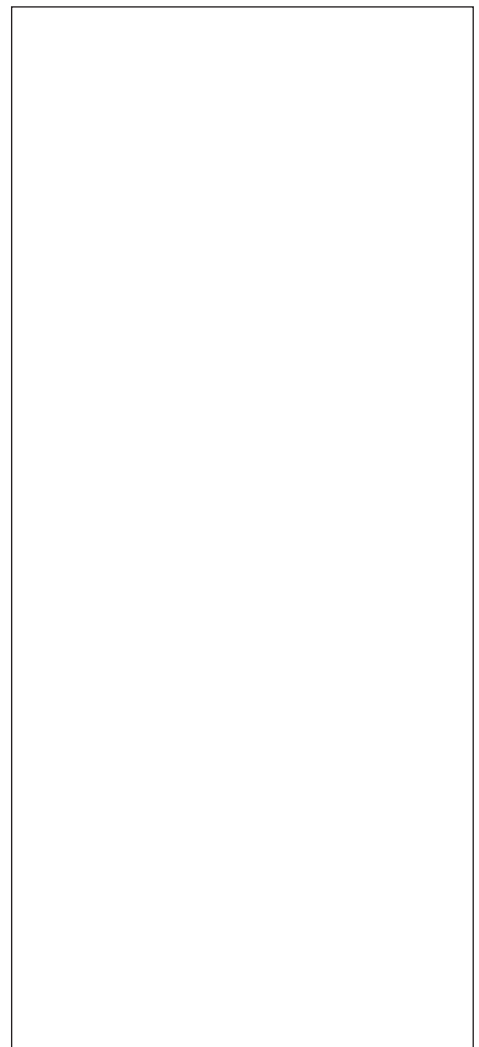
Top Guide Channel *The top guide channel should be fabricated from rolled steel section which is incorporated into the building structure*

Top Guide Rollers (4 per door) **H104S** Timber or metal doors - steel zinc plated (125, 175, and 200mm diameters to suit respective door heights 7000mm, 12500mm, 20000mm)

Bottom Rollers (2 per door) **H3600GO** Timber or metal doors - gear operated (Sterling 3600)
H3600IR Timber or metal doors - idler (Sterling 3600)
H8000GO Timber or metal doors - gear operated (Sterling 8000)
H8000IR Timber or metal doors - idler (Sterling 8000)
To enable manual operation, gear operated bottom rollers must be used in conjunction with mechanical operated drive unit and crank handle

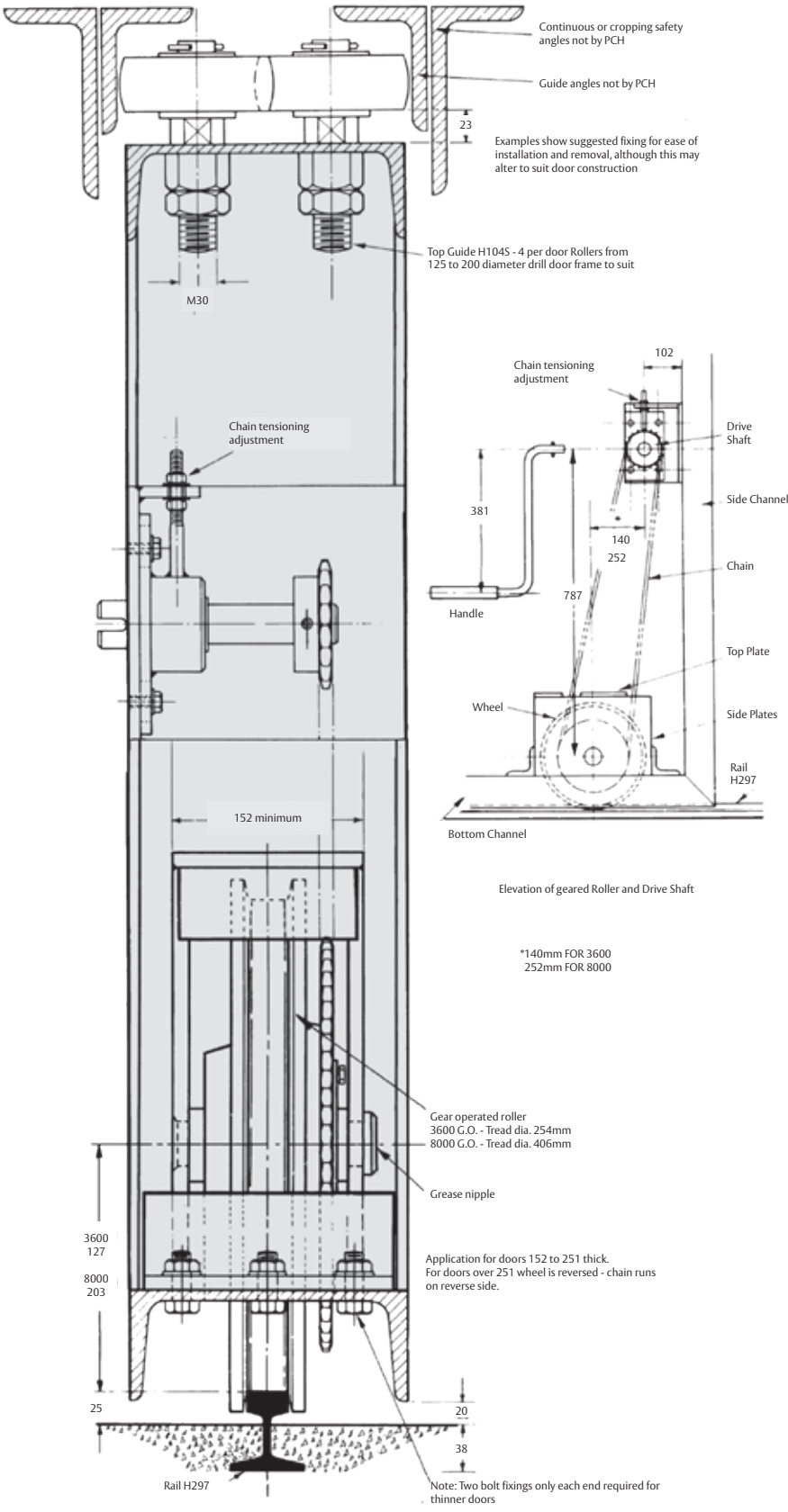
Bottom Rail **H297** Heavy duty section (2700mm standard length)

For information on Henderson parts please contact your technical sales team.





H
E
N
D
E
R
S
O
N



C110b
ISSUE 2/0619

ASSA ABLOY New Zealand Ltd. PO Box 100407, North Shore, Auckland 0745 • 6 Armstrong Road, Albany, Auckland 0632, New Zealand
Within New Zealand: Tel 09 448 9188 Fax 415 7889 www.assaabloy.co.nz • Online Catalogue: www.assaabloycatalogue.co.nz

The global leader in door opening solutions

ASSA ABLOY

SECTION D

interior folding systems



HENDERSON

INTERIOR FOLDING SYSTEMS

Section Index and General Guide

Select system for your interior folding door application.

APPLICATION	Residential	Commercial	Industrial	Max. Door	Product	Data Sheet
Residential						
For wardrobes	■			14kg	Bifold	D20
For room dividers	■			40kg	Husky 25 & 40	D30
Commercial						
For interior residential or commercial end folding partitions	■	■		65kg	Pacer Endfold	*
For interior residential or commercial centre folding partitions	■	■		65kg	Pacer Centrefold	*
For interior residential or commercial partitions. All doors equal width	■	■		75kg	Soltaire Pivotfold 45 & 75	*
For interior residential or commercial end folding partitions	■	■		75kg	Soltaire Endfold 45 & 75	*
For interior residential or commercial centre folding partitions	■	■		75kg	Soltaire Centrefold 45 & 75	*
Industrial						
For interior industrial and commercial end folding partitions			■	35kg	Council 290 Endfold	*
For interior industrial and commercial end folding partitions			■	35kg	Council 290 Pivotfold	*
For interior industrial and commercial centre folding partitions			■	35kg	Council 290 Centrefold	*
For interior industrial and commercial end folding partitions			■	70kg	Council 301 Endfold	*
For interior industrial and commercial end folding partitions			■	70kg	Council 301 Pivotfold	*
For interior industrial and commercial centre folding partitions			■	70kg	Council 301 Centrefold	*
For interior industrial and commercial end folding partitions			■	80kg	Council 305 Endfold	*
For interior industrial and commercial centre folding partitions			■	80kg	Council 305 Centrefold	*
For interior industrial and commercial folding partitions. Bottom roll.			■	70kg	College Endfold	*
For interior industrial and commercial folding partitions. Bottom roll.			■	140kg	College Endfold	*

* Please contact either your ASSA ABLOY Representative or our technical sales team for further information.

BIFOLD

For folding wardrobe doors. Max 14kg.

APPLICATION

- Stable and smooth opening system for wardrobe doors that can complement any bedroom
- System allows for doors to fold back completely
- Silent and easy to fix
- Designed for timber, timber framed or composite doors
- Suitable for jambless openings

DOOR SPECIFICATION

Track System	Bifold
For Individual Doors:	
Max Door Weight	14kg
Max Door Width	530mm
Door Thickness	20-35mm
Max Door Height	2400mm

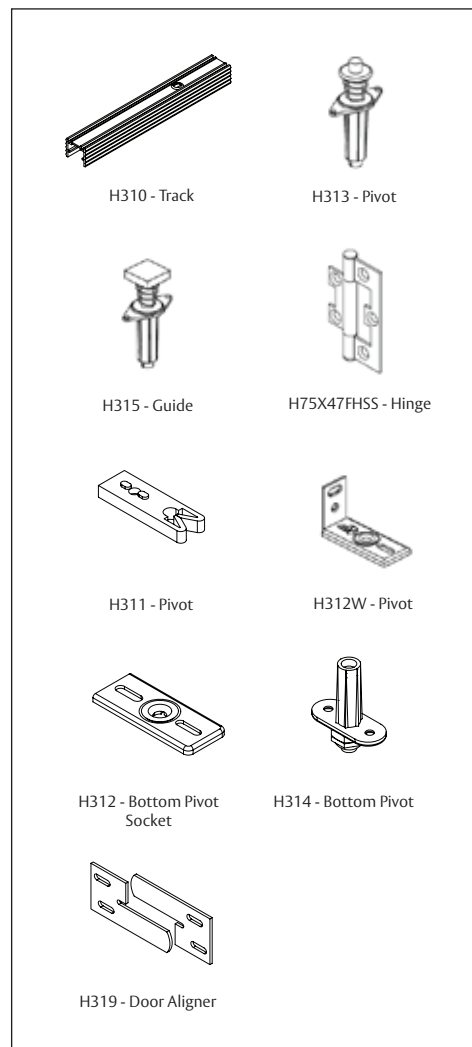
STANDARD SETS AND PACK

Sets comprise of track, top and bottom pivots, guides, hinges, all screws & fitting instructions.

Set No.	Track Length	Hardware for
HB10/2	1065mm	2 doors
HB15/4	1525mm	4 doors (2 doors to each side)
HB20/4	2135mm	4 doors (2 doors to each side)

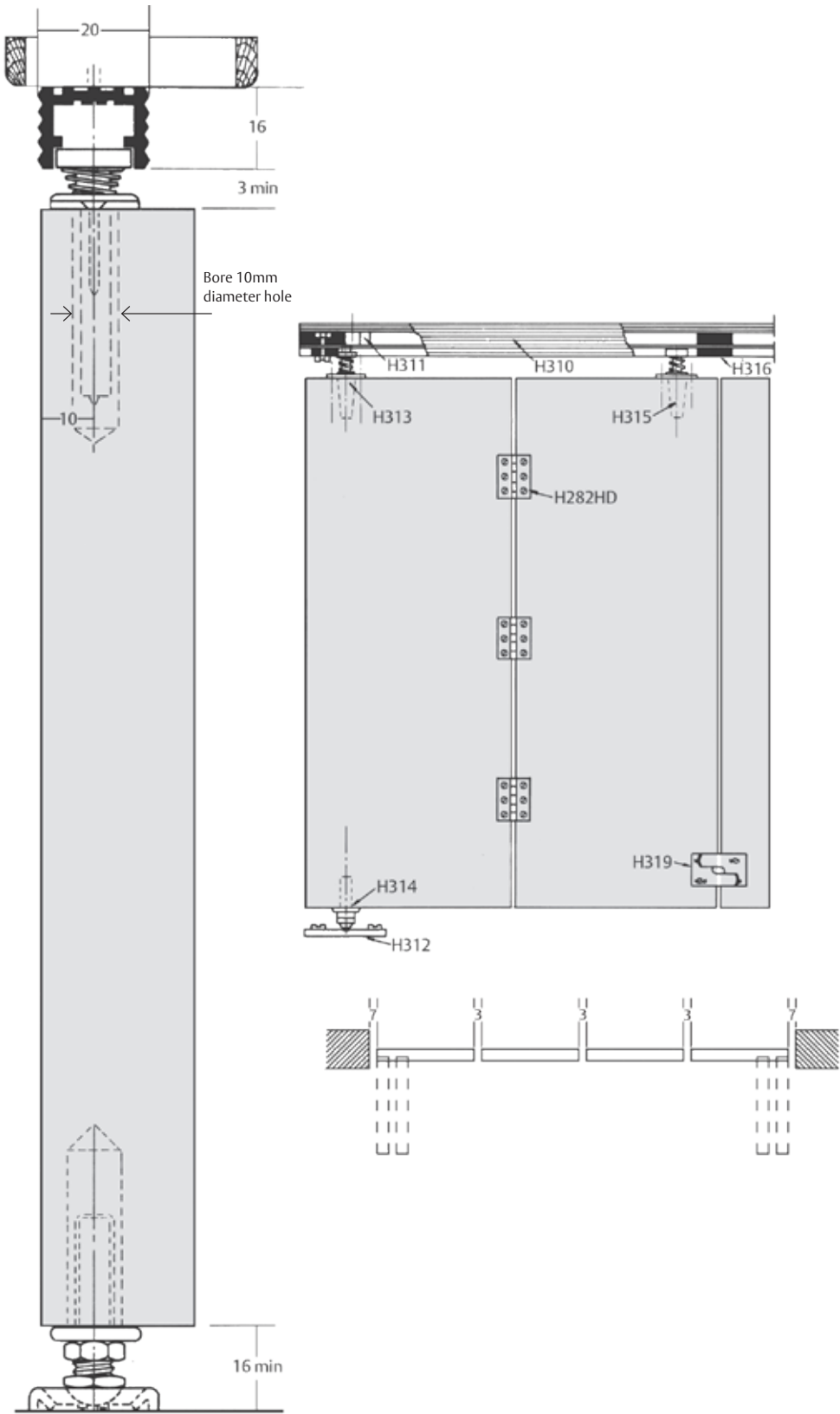
HARDWARE SPECIFICATION

Track	H310	Aluminium (762, 1067, & 3000mm lengths)
Pivots	H311	Top pivot socket
	H312	Bottom pivot socket
	H312W	Bottom pivot socket wall fix
	H313	Top pivot
	H314	Bottom pivot
Guide	H289B	Bottom pivot set
	H315	Nylon spring loaded guide
Hinge	H282	Butt hinge
	H75X47FHSS	Stainless steel face fix hinge
	H316	Rubber buffer
	H319	Door aligner





HENDERSON



NOT TO SCALE

HUSKY 25 & 40

For folding doors and room dividers. Max 25kg or 40kg.

APPLICATION

- Ideally suited for light to medium weight residential folding partitions
- Concealed fixing
- Suitable for timber, timber framed and composite doors

DOOR SPECIFICATION

Track System	Husky 25	Husky 40
For Individual Doors:		
Max Door Weight	25kg	40kg
Max Door Width	600mm	750mm
Door Thickness	20-40mm	20-40mm
Max Door Height	2400mm	2400mm

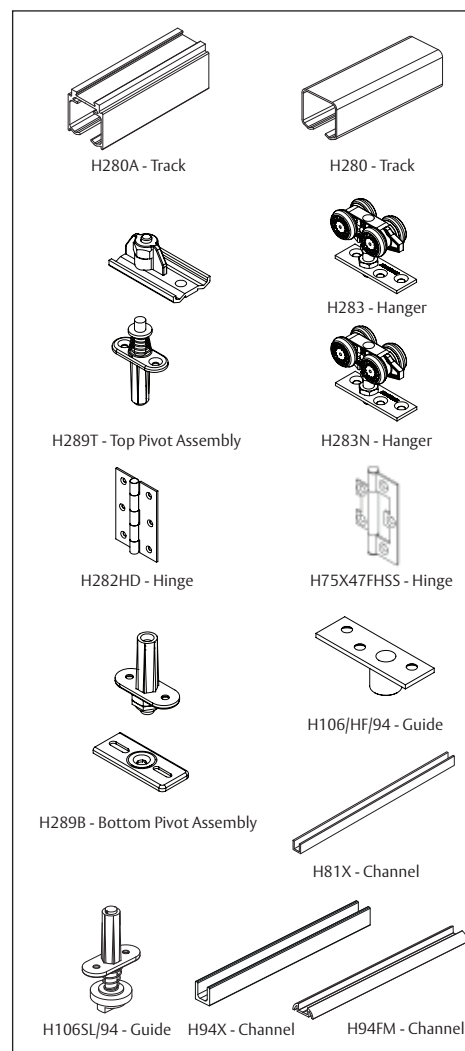
STANDARD SETS AND PACK

Sets comprise of steel track, hangers, top and bottom pivots, guides (*Husky 40*), hinges, all screws & fitting instructions.

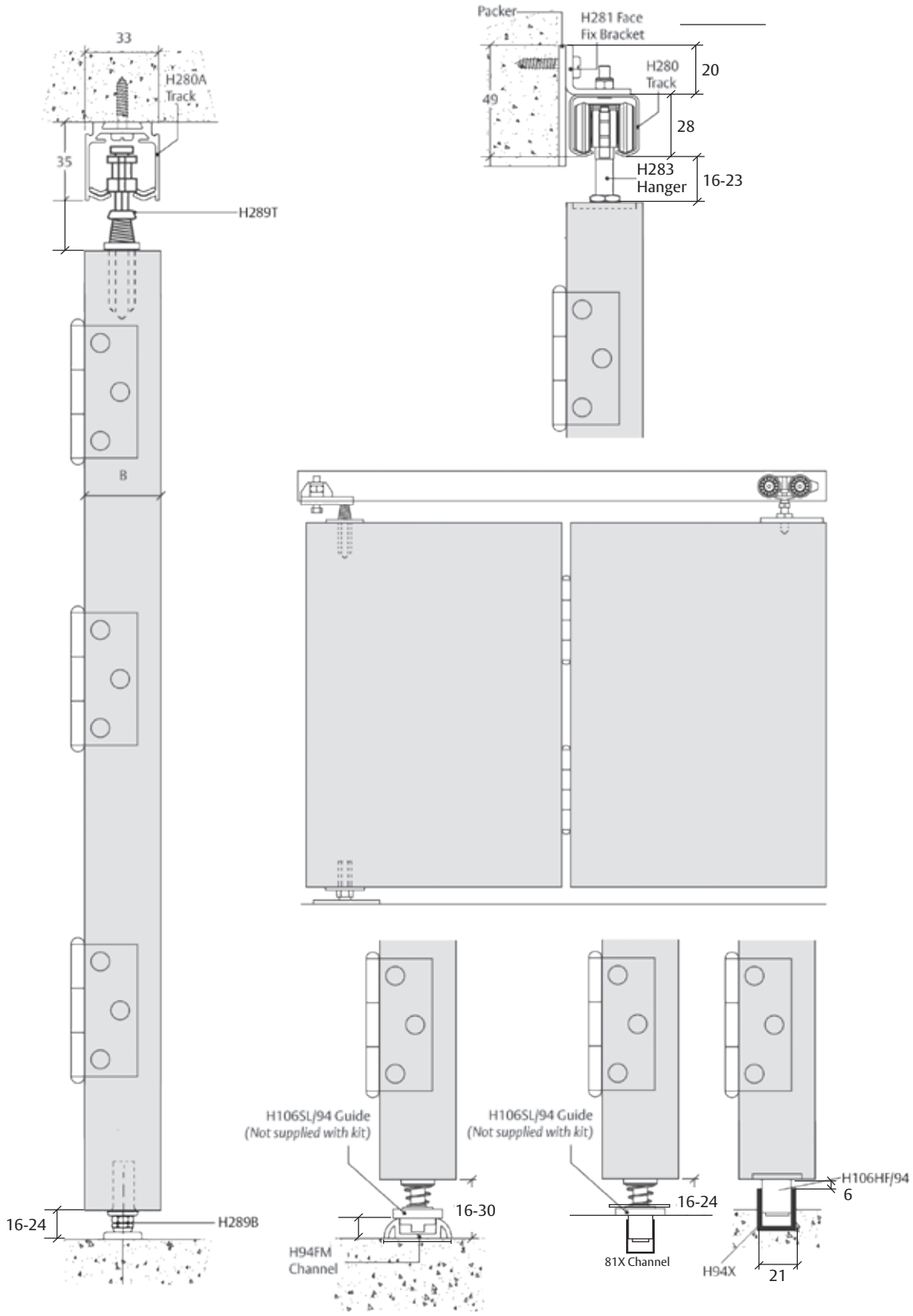
Husky 25 Set No.	Husky 40 Set No.	Track Length	Hardware for
HF25/12	-	1200mm	2 doors
HF25/24	-	2400mm	4 doors (all 4 doors to one side)
-	HF40/15	1500mm	2 doors
-	HF40/30	3000mm	4 doors (all 4 doors to one side)
Pack No.	Application		
HF2/25	Two door fittings pack 25kg.		
-	HF2/40	Two door fittings pack 40kg.	
HF4/25	Four door, one end fittings pack 25kg.		
-	HF4/40	Four door, one end fittings pack 40kg.	

HARDWARE SPECIFICATION

Track	H280	Steel (2000, 3000, 4000 & 6000mm lengths)
	H280A	Aluminium (2000, 3000, 4000 & 6000mm lengths)
	H280AN	Anodised (2000, 3000, 4000 & 6000mm lengths) Soffit fix spacing 275mm centres (maximum)
Pivots	H289T	Top pivot assembly
	H289B	Bottom pivot assembly
Hangers (2 per door)	H283N	Nylon bodied, 4-wheel adjustable hangers (<i>Husky 25</i>)
	H283	Nylon bodied, needle roller bearing hangers (<i>Husky 40</i>)
	H312	Bottom socket
	H312W	Bottom socket wall mount
	H313	Top pivot
Hinge	H314	Bottom pivot
	H282HD	Husky butt hinge
	H75X47FHSS H90X50FHSS	Stainless steel flush hinge
Guides	H106/HF/94	Roller guide
	H106SL/94	Spring loaded guide
Channels	H81X	Aluminium channel (2400 & 3600mm lengths)
	H94X	Aluminium (2000, 3000, 4000 & 6000mm lengths)
	H94FM	Aluminium (2000, 3000, 4000 & 6000mm lengths)



HENDERSON



SECTION E

exterior folding systems



HENDERSON

EXTERIOR FOLDING SYSTEMS

Section Index and General Guide

Select system for your exterior folding application.

APPLICATION	Residential	Commercial	Industrial	Max. Door	Product	Data Sheet
Residential						
For Exterior Residential folding doors and windows	■			33-40kg	Timbafold	E20
Commercial						
For Exterior Residential and Commercial folding doors and windows		■		45kg	Securefold 45 - Non-Mortice	E30
For Exterior Residential and Commercial folding doors and windows		■		50kg	Securefold 50 - Mortice	E40
For Exterior Residential and Commercial folding doors and windows		■		50kg	Securefold 50 - Radius Mort.	E50
For Exterior Residential and Commercial folding doors		■		65kg	Pacer Exterior Endfold	*
For Exterior Residential and Commercial folding doors		■		100kg	Securefold 100 - Mortice	E60
For Exterior Residential and Commercial folding doors		■		100kg	Securefold 100 - Non-Mort.	E70
For Exterior Residential and Commercial folding doors		■		100kg	Securefold 100 - Radius Mor.	E80
For Exterior Residential, Commercial or Industrial folding doors		■		150kg	Securefold 150	*
Industrial						
For Exterior Industrial folding doors			■	35kg	Tangent 290	G20
For Exterior Industrial folding doors			■	70kg	Tangent 301	G30
For Exterior Industrial folding doors			■	80kg	Tangent 305	G40

* Please contact either your ASSA ABLOY Representative or our technical sales team for further information.

TIMBAFOLD

For top hung exterior folding doors and windows. 33-40kg each leaf.

APPLICATION

- For residential folding doors and windows where waterproofing of the opening is required

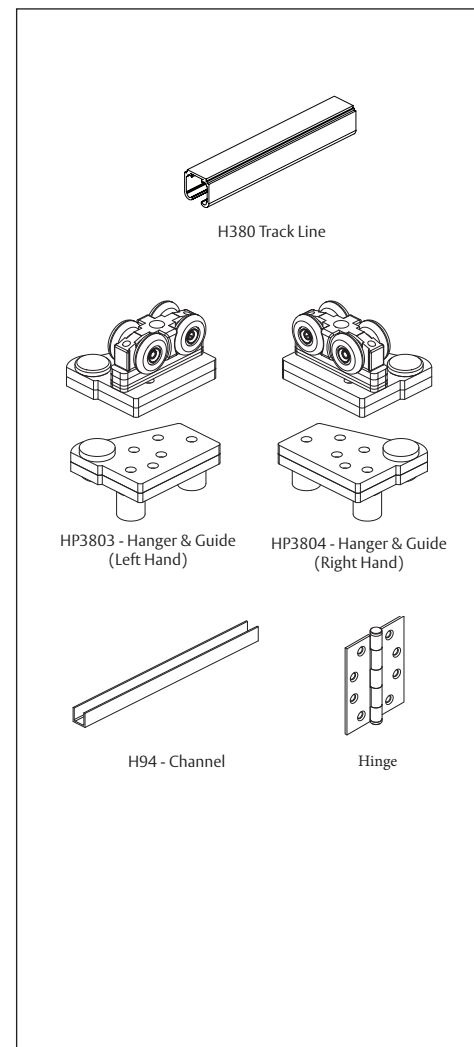
DOOR SPECIFICATION

Track System:	Timbafold (Window)	Timbafold (Door)
For Individual Leaves:		
Max Panel Height	2100mm	2700mm
Max Panel Weight	30kg (or 20kg for units with a swing sash)	40kg (or 33kg for units with a swing door)
Max Panel Width	760mm (or 660mm for free swing sash)	810mm
Min Panel Thickness	35-40mm	35-40mm
Max Number of Panels	6 each direction	6 each direction

Folding units of up to six leaves can be hinged to post.
Floating units consisting of four or six panels.

HARDWARE SPECIFICATION

Track	H380	Aluminium mill (2000, 3000, 4000 & 6000mm lengths) Soffit fix spacing 600mm centres (maximum)
Hanger Sets	HP3801	Left hand - window application (incl. hanger and guide)
	HP3802	Right hand - window application (incl. hanger and guide)
	HP3803	Left hand - door application (incl. hanger and guide)
	HP3804	Right hand - door application (incl. hanger and guide)
Hinge Sets (to suit 2 panels)	HP75*	Window hinge pack, 75 x 63mm (includes 5 hinges and 1 hinge handle)
	HP100*	Door hinge pack, 100 x 75mm (includes 5 hinges and 1 hinge handle)
* Select finish: Stainless steel (SS), polished brass (PB)		
Channels	H94X	Aluminium (2000, 3000, 4000 & 6000mm lengths)
	H94	Brass (4000 & 6000mm lengths)
	H94P	Polypropylene (2000, 3000, 4000 & 6000mm lengths)
Accessories	H75X63FP*	Window hinge, 75 x 63mm fixed pin
	H75X63DH*	Window hinge handle, 75 x 63mm
	H100X75FP*	Door hinge, 100 x 75mm fixed pin
	H100X75DH*	Door hinge handle, 100 x 75mm
* Select finish: Stainless steel (SS), polished brass (PB)		

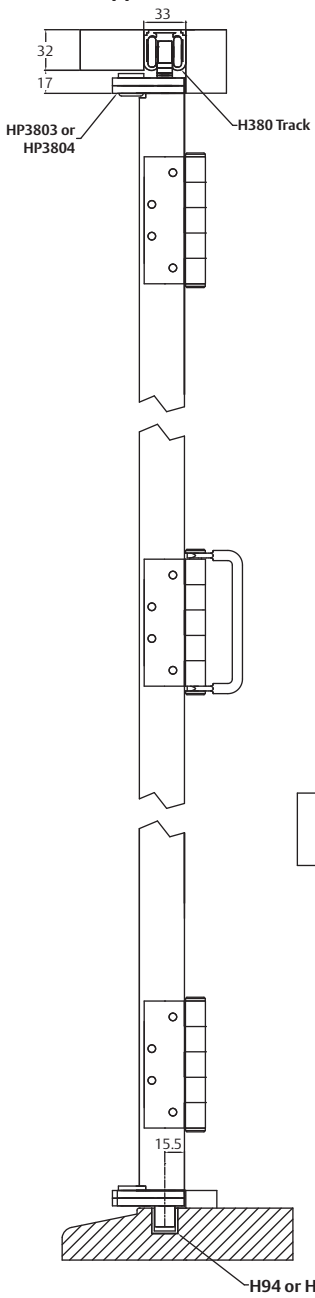


HENDERSON

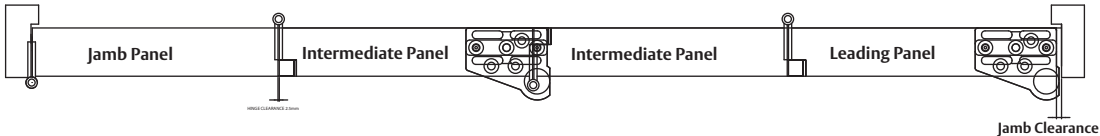
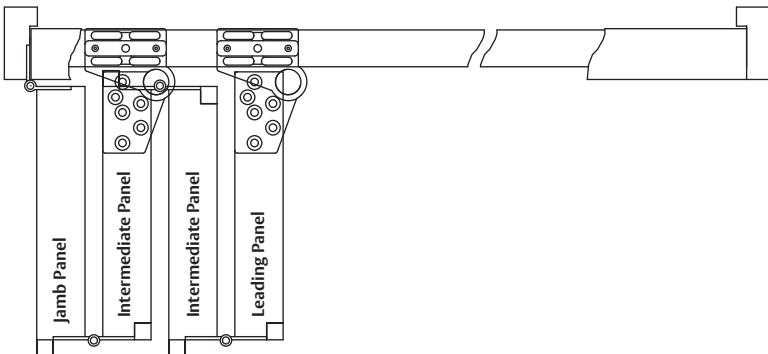
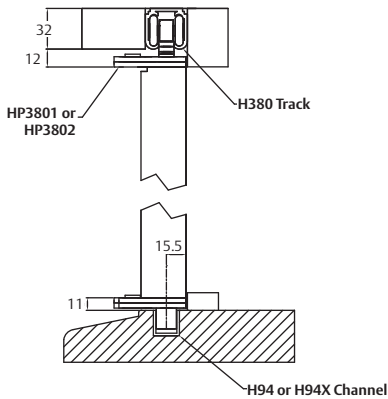


HENDERSON

Door Application



Window Application



SECUREFOLD 45 (non-mortice)

For top hung exterior folding timber and aluminium doors.
Max 45kg each leaf.

APPLICATION

- Manufactured from high grade 316 stainless steel and cutting edge polymers with anodised aluminium track
- Ideal for coastal environments or areas requiring a high level of corrosion resistance
- Designed for external outward opening timber and aluminium doors up to 45kg
- Ideal for residential or commercial applications
- Fantastic resistance to the weather. System can be customised to suit various applications

DOOR SPECIFICATION

For doors between 35-47mm thick use an alternative to the standard flushbolt

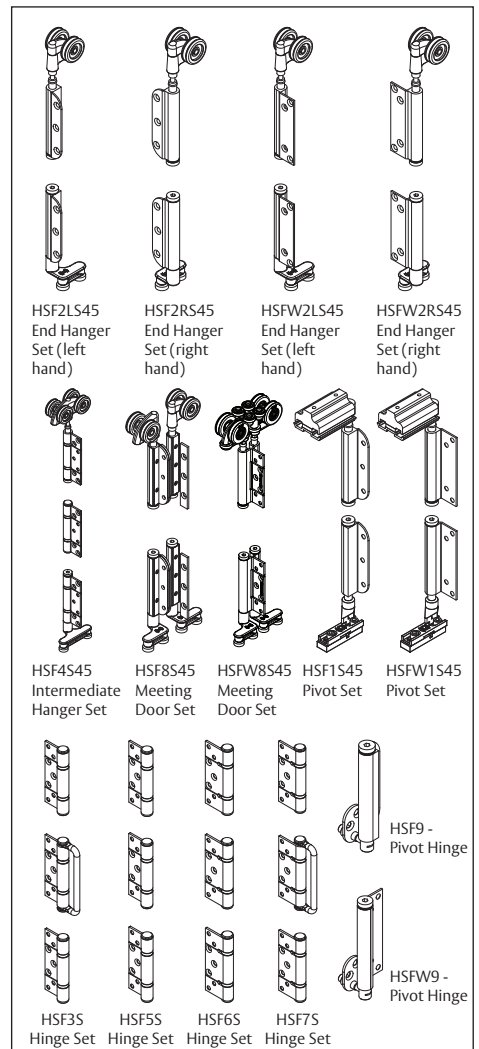
Track System **Securefold 45**

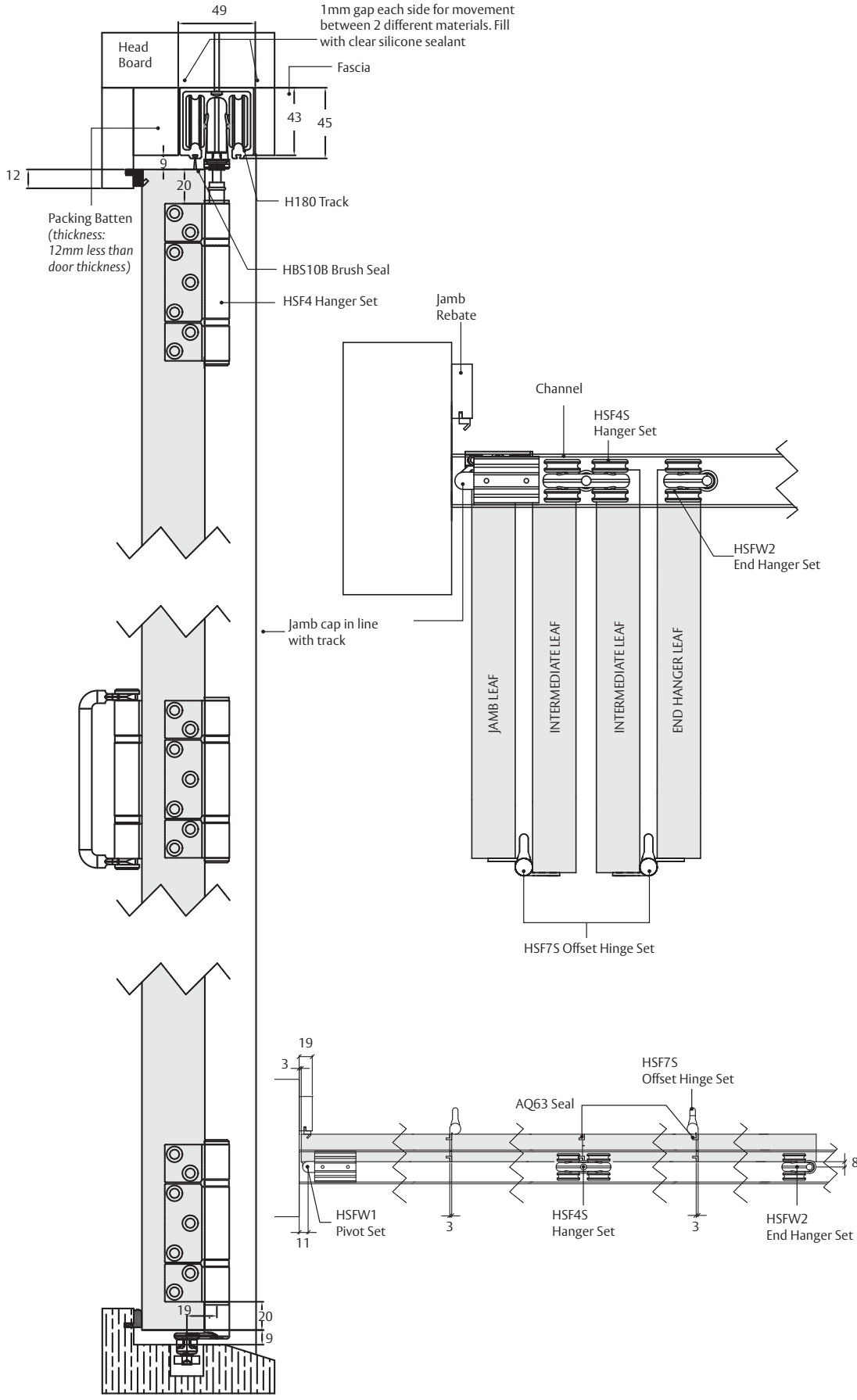
For Individual Door Leaves:

Max Panel Weight	45kg
Max Panel Width	1000mm
Panel Thickness	35-68mm
Max Panel Height	3300mm

HARDWARE SPECIFICATION

Track	H180	Anodised Aluminium (2000, 3000, 4000 & 6000mm lengths) Soffit fix spacing 900mm centres (maximum)
Hangers	HSF2LS45	End hanger set check in - left hand (incl. hanger, guide and hinge)
	HSF2RS45	End hanger set check in - right hand (incl. hanger, guide and hinge)
	HSFW2LS45	End hanger set non-mortice wrap around - left hand (incl. hanger and guide)
	HSFW2RS45	End hanger set non-mortice wrap around - right hand (incl. hanger and guide)
	HSF4S45 HSF8S45	Intermediate hanger set (includes hanger, guide and hinge) Meeting door set - rebated (incl. 2 hangers and 2 guides)
Pivot Sets	HSF1S45	Pivot set check in (incl. top and bottom pivots)
	HSFW1S45	Pivot set non-mortice wrap around (incl. top and bottom pivots)
	HSF9S HSFW9S	Intermediate pivot hinge check in (optional for doors over 2200mm high) Intermediate pivot hinge non-mortice wrap around (optional for doors over 2200mm high)
Hinge Sets	HSF3S	Hinge handle set (incl. 2 hinges and 1 hinge handle)
	HSF5S	Hinge set – inward opening (incl. 3 hinges)
	HSF6S	Offset hinge set – inward opening (incl. 3 offset hinges)
	HSF7S	Offset hinge handle set – outward opening (incl. 2 offset hinges and 1 offset hinge handle)
Channels	H89SS	Stainless steel (2000 & 3000mm length)
	H94X	Aluminium (2000, 3000, 4000 & 6000mm lengths)
	H94	Brass (4000 & 6000mm lengths)
	H94P	Polypropylene (2000, 3000, 4000 & 6000mm lengths)
	H94PSC	Aluminium supporting channel and polypropylene (2000, 3000, 4000 & 6000mm lengths)
Accessories	Flushbolts	
	HSF190S	190mm non locking flushbolt
	HSF190LS	190mm locking flushbolt
	HSF450S	450mm non locking flushbolt
	HSF450LS	450mm locking flushbolt
	HSF600S	600mm non locking flushbolt
	HSF600LS	600mm locking flushbolt





SECUREFOLD 50 (mortice)

For top hung exterior folding timber doors. Max 50kg each leaf.

APPLICATION

- Manufactured from high grade 316 stainless steel and cutting edge polymers with anodised aluminium track
- Ideal for coastal environments or areas requiring a high level of corrosion resistance
- Designed for external outward opening timber doors up to 50kg
- Ideal for residential or commercial applications
- Fantastic resistance to the weather. System can be customised to suit various applications

DOOR SPECIFICATION

For doors between 35-68mm thick use an alternative to the standard flushbolt

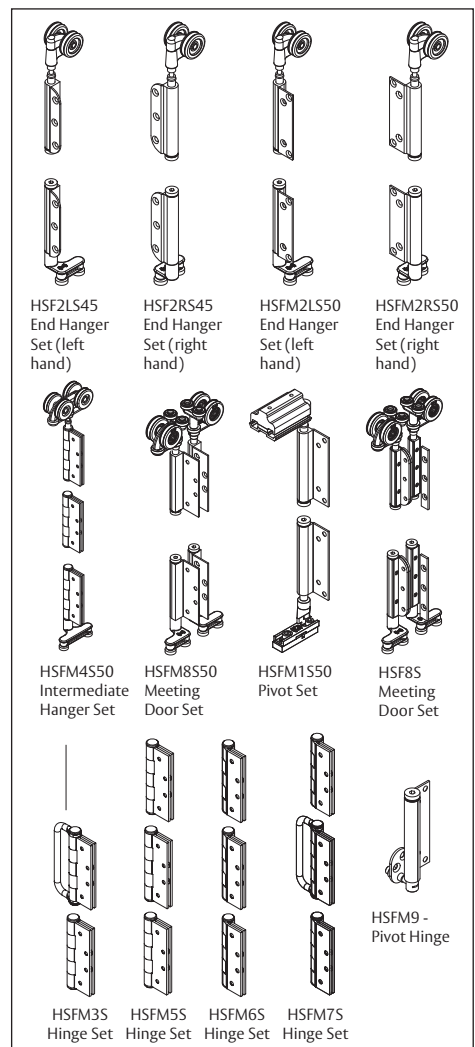
Track System **Securefold 50**

For Individual Door Leaves:

Max Panel Weight	50kg
Max Panel Width	1000mm
Panel Thickness	35-68mm
Max Panel Height	3300mm

HARDWARE SPECIFICATION

Track	H180	Anodised Aluminium (2000, 3000, 4000 & 6000mm lengths) Soffit fix spacing 900mm centres (maximum)
Hangers	HSF2LS45	End hanger set check in - left hand (incl. hanger, guide and hinge)
	HSF2RS45	End hanger set check in - right hand (incl. hanger, guide and hinge)
	HSFM2LS50	End hanger set mortice wrap around - left hand (incl. hanger and guide)
	HSFM2RS50	End hanger set mortice wrap around - right hand (incl. hanger and guide)
	HSFM4S50	Intermediate hanger set (includes hanger, guide and hinge)
	HSF8S45 HSFM8S50	Meeting door set - rebated (incl. 2 hangers and 2 guides) Mortice meeting door set - mortice for square cut doors (includes 2 hangers and 2 guides)
Pivot Sets	HSFM1S50	Pivot set mortice wrap around (incl. top and bottom pivots)
	HSFM9S	Intermediate pivot hinge mortice wrap around (optional for doors over 2200mm high)
Hinge Sets	HSFM3S	Hinge handle set (incl. 2 hinges and 1 hinge handle)
	HSFM5S	Hinge set – inward opening (incl. 3 hinges)
	HSFM6S	Offset hinge set – inward opening (incl. 3 offset hinges)
	HSFM7S	Offset hinge handle set – outward opening (incl. 2 offset hinges and 1 offset hinge handle)
Channels	H89SS	Stainless steel (2000 & 3000mm length)
	H94X	Aluminium (2000, 3000, 4000 & 6000mm lengths)
	H94	Brass (1500 & 3000mm lengths)
	H94P	Polypropylene (2000, 3000, 4000 & 6000mm lengths)
	H94PSC	Aluminium supporting channel and polypropylene (2000, 3000, 4000 & 6000mm lengths)
Accessories	Flushbolts	
	HSF190S	190mm non locking flushbolt
	HSF190LS	190mm locking flushbolt
	HSF450S	450mm non locking flushbolt
	HSF450LS	450mm locking flushbolt
	HSF600S	600mm non locking flushbolt
	HSF600LS	600mm locking flushbolt

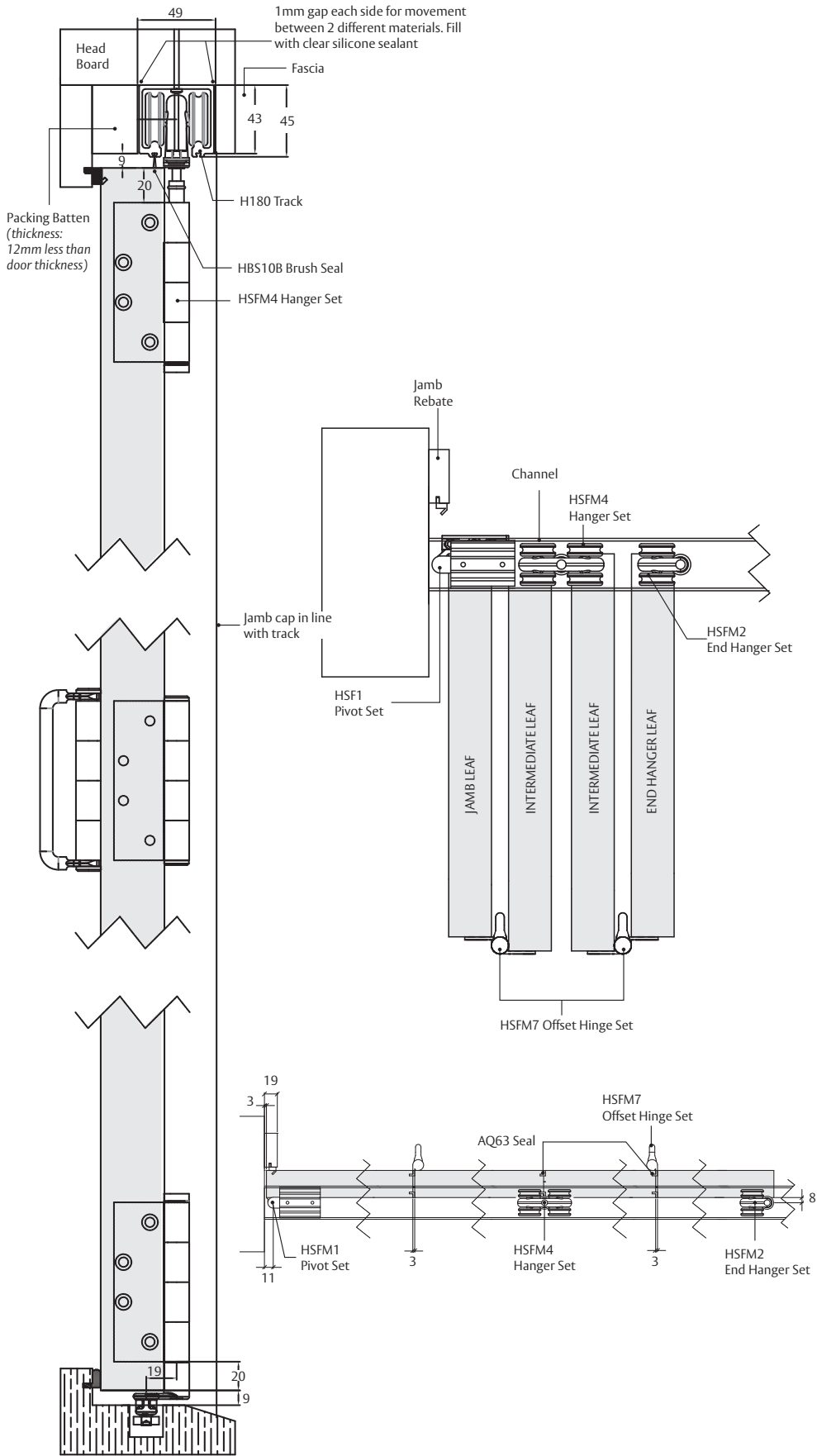


HENDERSON



HENDERSON

NOT TO SCALE



SECUREFOLD 50 (radius mortice)

For top hung exterior folding timber doors. Max 50kg each leaf.

APPLICATION

- Manufactured from high grade 316 stainless steel and cutting edge polymers with anodised aluminium track
- Ideal for coastal environments or areas requiring a high level of corrosion resistance
- Designed for external outward opening timber doors up to 50kg
- Ideal for residential or commercial applications
- Fantastic resistance to the weather. System can be customised to suit various applications

DOOR SPECIFICATION

For doors between 35-68mm thick use an alternative to the standard flushbolt

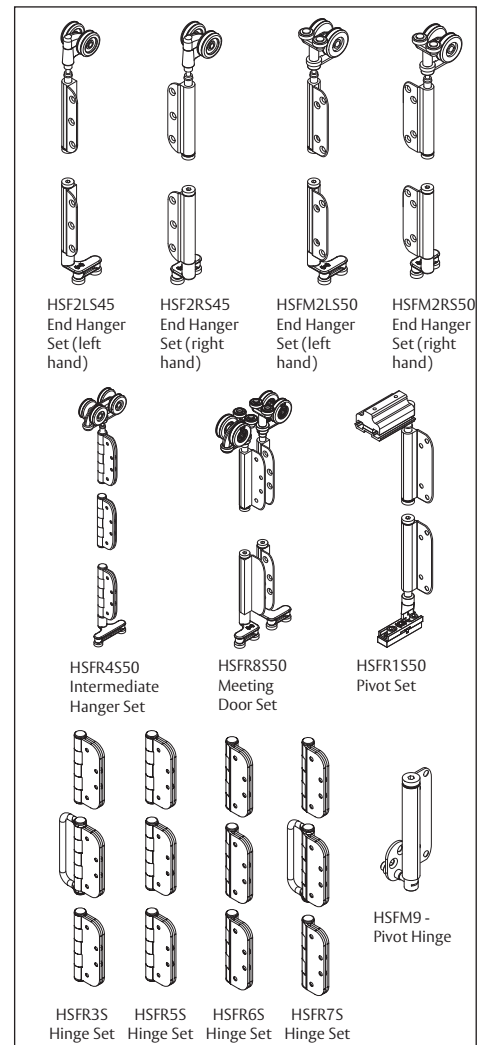
Track System **Securefold 50**

For Individual Door Leaves:

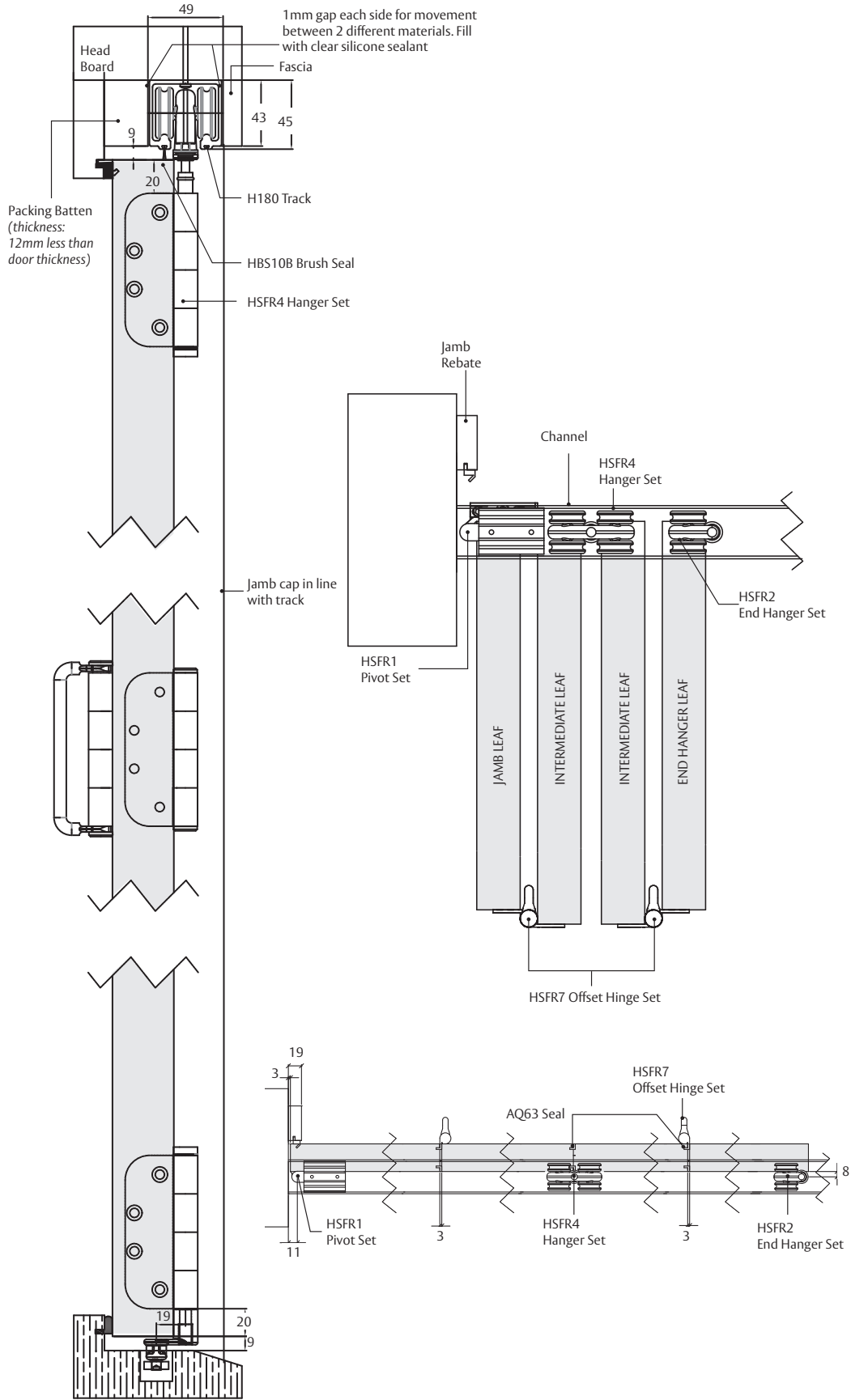
Max Panel Weight	50kg
Max Panel Width	1000mm
Panel Thickness	35-68mm
Max Panel Height	3300mm

HARDWARE SPECIFICATION

Track	H180	Anodised Aluminium (2000, 3000, 4000 & 6000mm lengths) Soffit fix spacing 900mm centres (maximum)
Hangers	HSF2LS45	End hanger set check in - left hand (incl. hanger and guide)
	HSF2RS45	End hanger set check in - right hand (incl. hanger and guide)
	HSFR2LS50	End hanger set mortice wrap around - left hand (incl. hanger and guide)
	HSFR2RS50	End hanger set mortice wrap around - right hand (incl. hanger and guide)
	HSFR4S50 HSFR8S50	Intermediate hanger set (includes hanger, guide and hinge) Mortice meeting door set - mortice for square cut doors (includes 2 hangers and 2 guides)
Pivot Sets	HSFR1S50	Pivot set mortice wrap around (incl. top and bottom pivots)
	HSFR9S	Intermediate pivot hinge mortice wrap around (optional for doors over 2200mm high)
Hinge Sets	HSFR3S	Hinge handle set (incl. 2 hinges and 1 hinge handle)
	HSFR5S	Hinge set – inward opening (incl. 3 hinges)
	HSFR6S	Offset hinge set – inward opening (incl. 3 offset hinges)
	HSFR7S	Offset hinge handle set – outward opening (incl. 2 offset hinges and 1 offset hinge handle)
Channels	H89SS	Stainless steel (2000 & 3000mm length)
	H94X	Aluminium (2000, 3000, 4000 & 6000mm lengths)
	H94	Brass (1500 & 3000mm lengths)
	H94P	Polypropylene (2000, 3000, 4000 & 6000mm lengths)
	H94PSC	Aluminium supporting channel and polypropylene (2000, 3000, 4000 & 6000mm lengths)
Accessories	Flushbolts	
	HSF190S	190mm non locking flushbolt
	HSF190LS	190mm locking flushbolt
	HSF450S	450mm non locking flushbolt
	HSF450LS	450mm locking flushbolt
	HSF600S	600mm non locking flushbolt
	HSF600LS	600mm locking flushbolt



HENDERSON



SECUREFOLD 100 (non-mortice)

For top hung exterior folding timber and aluminium doors.
Max 100kg each leaf.

APPLICATION

- Manufactured from high grade 316 stainless steel and cutting edge polymers with anodised aluminium track
- Ideal for coastal environments or areas requiring a high level of corrosion resistance
- Designed for external outward opening timber and aluminium doors up to 100kg
- Ideal for residential or commercial applications
- Fantastic resistance to the weather. System can be customised to suit various applications

DOOR SPECIFICATION

For doors between 35-47mm thick use an alternative to the standard flushbolt

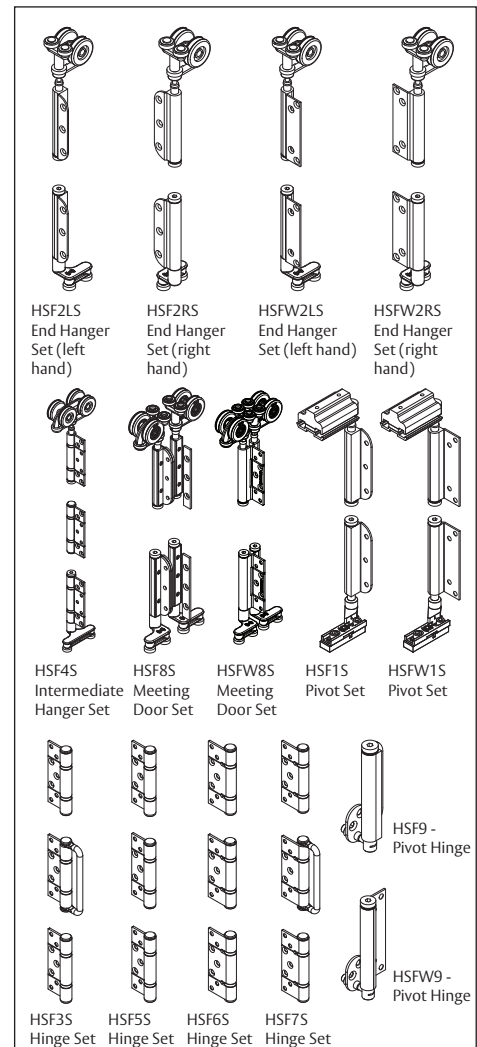
Track System **Securefold 100**

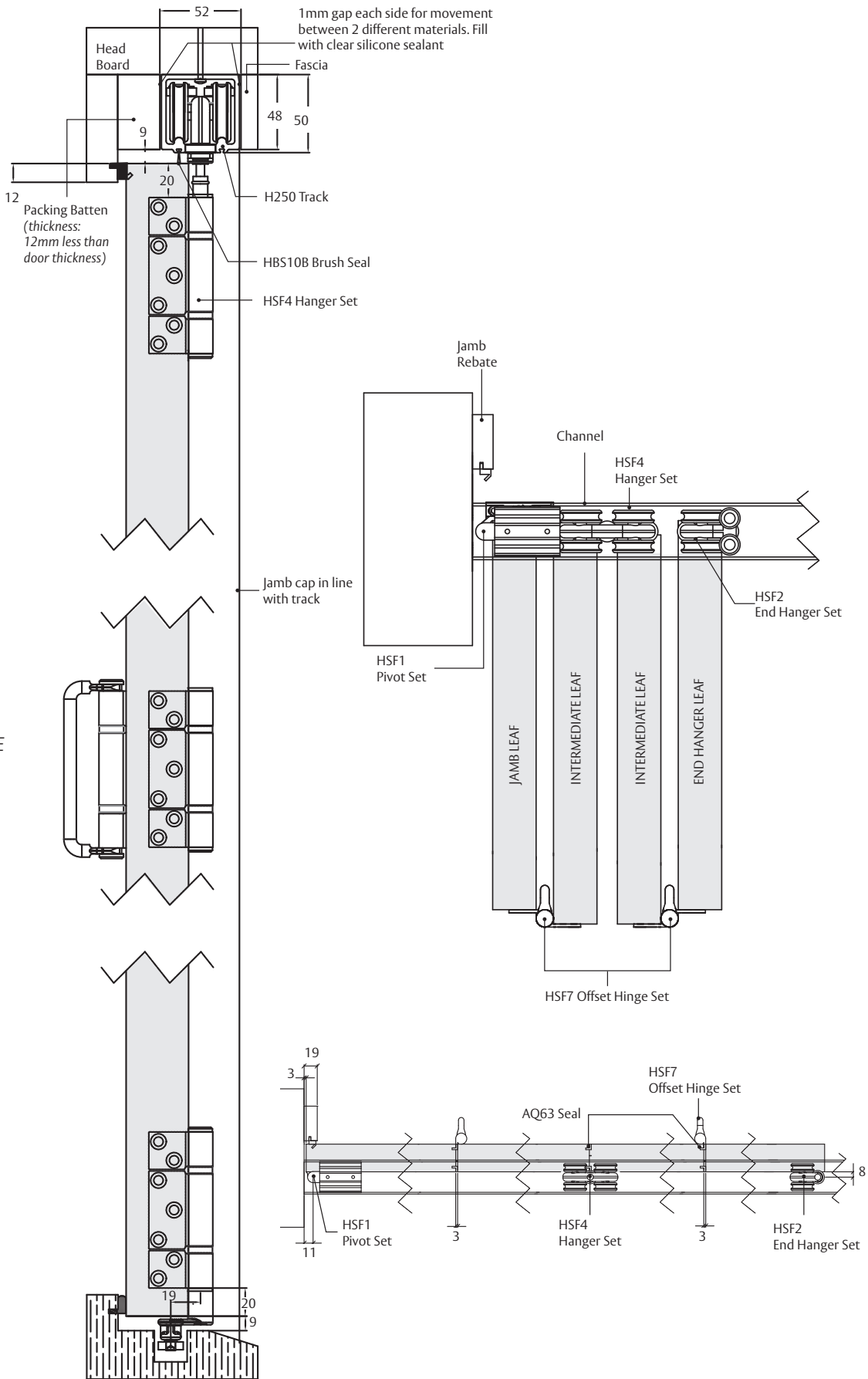
For Individual Door Leaves:

Max Panel Weight	100kg
Max Panel Width	1000mm
Panel Thickness	35-68mm
Max Panel Height	3300mm

HARDWARE SPECIFICATION

Track	H250	Anodised Aluminium (2000, 3000, 4000 & 6000mm lengths) Soffit fix spacing 900mm centres (maximum)
Hangers	HSF2LS	End hanger set check in - left hand (incl. hanger, guide and hinge)
	HSF2RS	End hanger set check in - right hand (incl. hanger, guide and hinge)
	HSFW2LS	End hanger set non-mortice wrap around - left hand (incl. hanger and guide)
	HSFW2RS	End hanger set non-mortice wrap around - right hand (incl. hanger and guide)
	HSF4S	Intermediate hanger set (includes hanger, guide and hinge)
	HSF8S	Meeting door set - rebated (incl. 2 hangers and 2 guides)
	HSFW8S	Non-mortice meeting door set - non-mortice for square cut doors (includes 2 hangers and 2 guides)
Pivot Sets	HSF1S	Pivot set check in (incl. top and bottom pivots)
	HSFW1S	Pivot set non-mortice wrap around (incl. top and bottom pivots)
	HSF9S	Intermediate pivot hinge check in (optional for doors over 2200mm high)
	HSFW9S	Intermediate pivot hinge non-mortice wrap around (optional for doors over 2200mm high)
Hinge Sets	HSF3S	Hinge handle set (incl. 2 hinges and 1 hinge handle)
	HSF5S	Hinge set - inward opening (incl. 3 hinges)
	HSF6S	Offset hinge set - inward opening (incl. 3 offset hinges)
	HSF7S	Offset hinge handle set - outward opening (incl. 2 offset hinges and 1 offset hinge handle)
Channels	H89SS	Stainless steel (2000 & 3000mm length)
	H94X	Aluminium (2000, 3000, 4000 & 6000mm lengths)
	H94	Brass (4000 & 6000mm lengths)
	H94P	Polypropylene (2000, 3000, 4000 & 6000mm lengths)
	H94PSC	Aluminium supporting channel and polypropylene (2000, 3000, 4000 & 6000mm lengths)
Accessories		
Flushbolts	HSF190S	190mm non locking flushbolt
	HSF190LS	190mm locking flushbolt
	HSF450S	450mm non locking flushbolt
	HSF450LS	450mm locking flushbolt
	HSF600S	600mm non locking flushbolt
	HSF600LS	600mm locking flushbolt

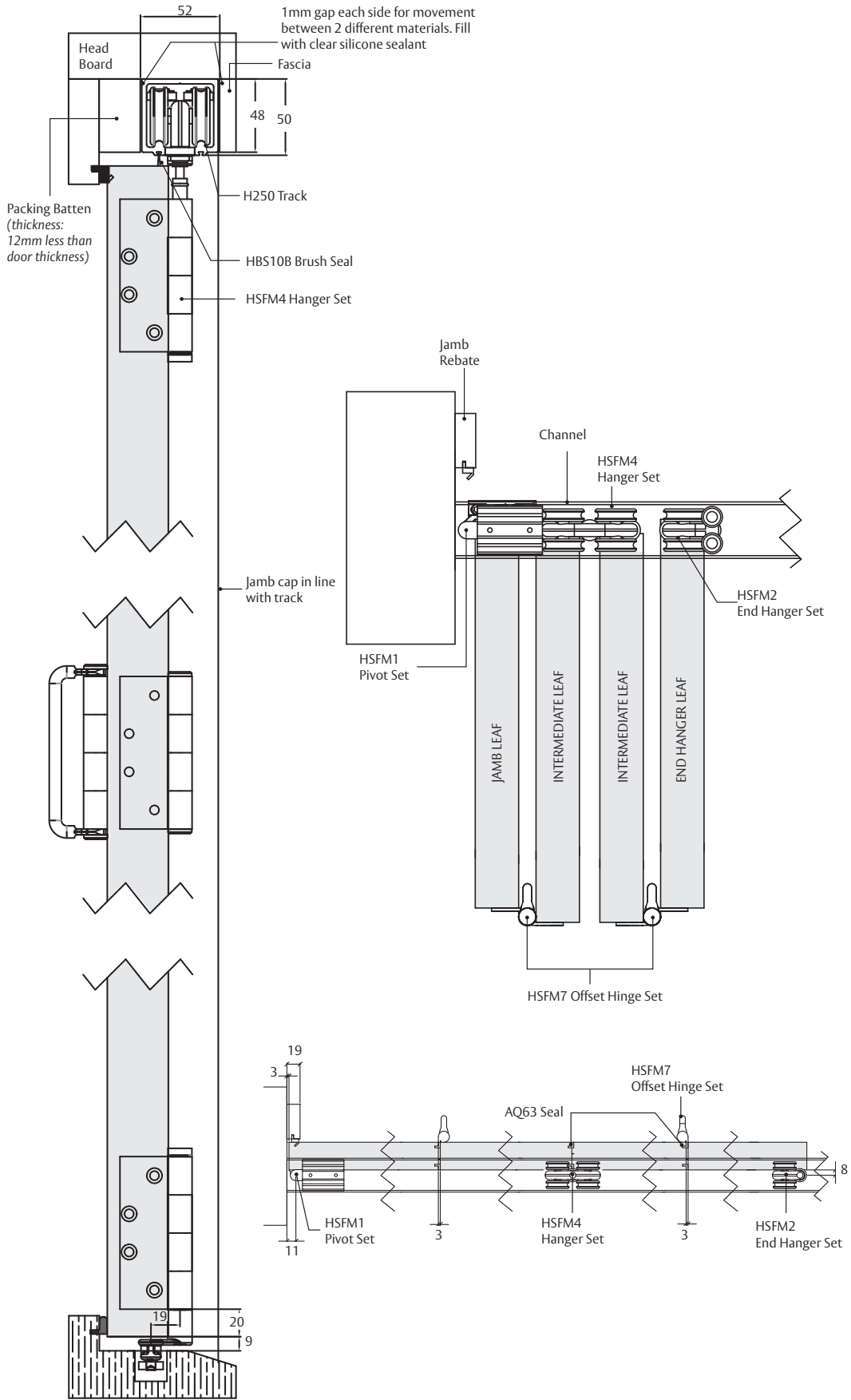




HENDERSON



HENDERSON



SECUREFOLD 100 (radius mortice)

For top hung exterior folding timber doors. Max 100kg each leaf.

APPLICATION

- Manufactured from high grade 316 stainless steel and cutting edge polymers with anodised aluminium track
- Ideal for coastal environments or areas requiring a high level of corrosion resistance
- Designed for external outward opening timber doors up to 100kg
- Ideal for residential or commercial applications
- Fantastic resistance to the weather. System can be customised to suit various applications

DOOR SPECIFICATION

For doors between 35-68mm thick use an alternative to the standard flushbolt

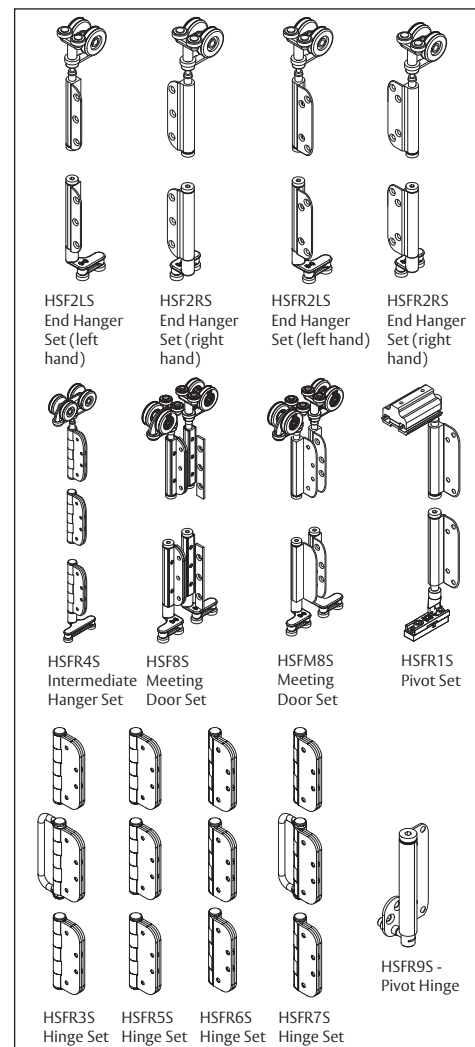
Track System **Securefold 100**

For Individual Door Leaves:

Max Panel Weight	100kg
Max Panel Width	1000mm
Panel Thickness	35-68mm
Max Panel Height	3300mm

HARDWARE SPECIFICATION

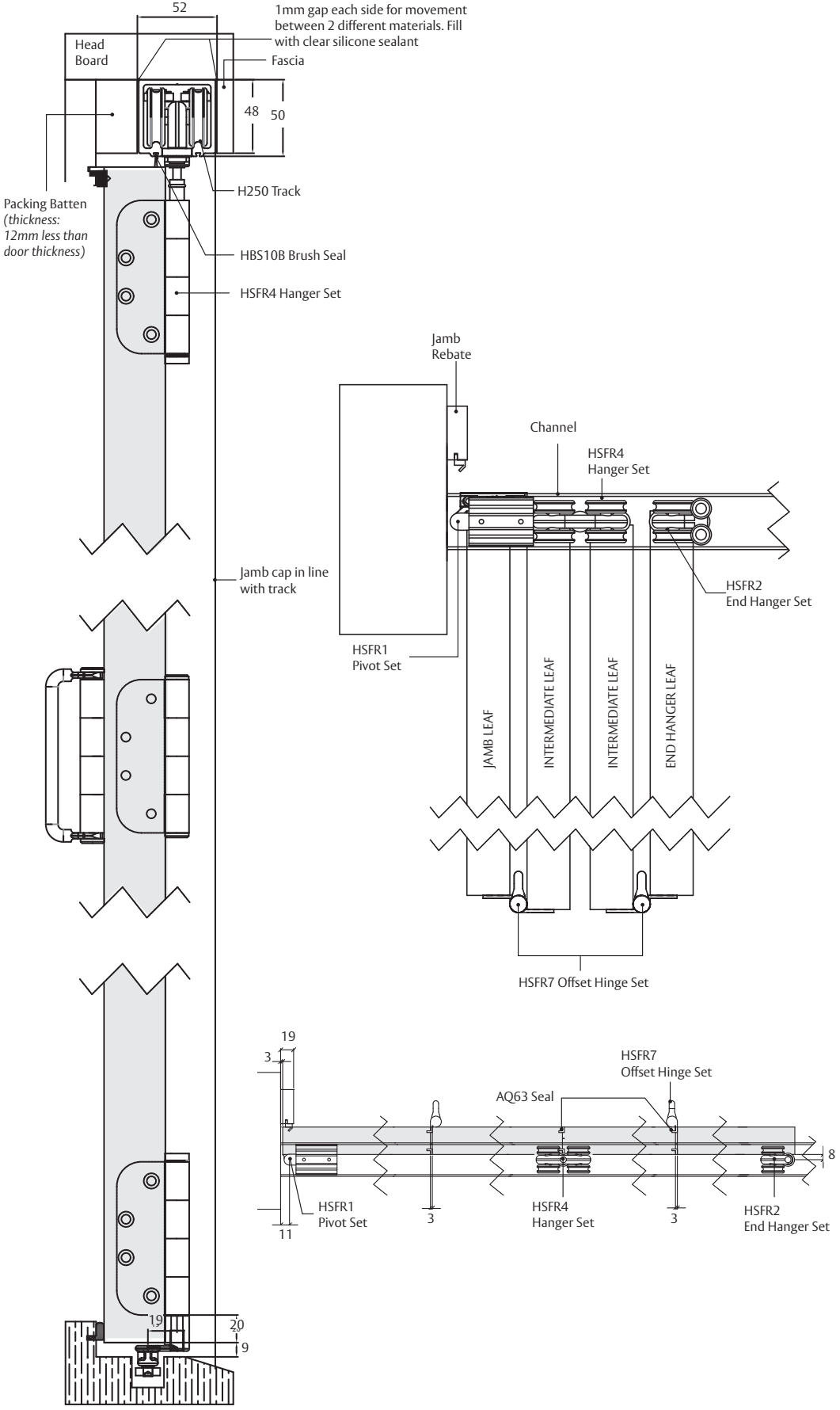
Track	H250	Anodised Aluminium (2000, 3000, 4000 & 6000mm lengths) Soffit fix spacing 900mm centres (maximum)
Hangers	HSF2LS	End hanger set check in - left hand (incl. hanger and guide)
	HSF2RS	End hanger set check in - right hand (incl. hanger and guide)
	HSFR2LS	End hanger set mortice wrap around - left hand (incl. hanger and guide)
	HSFR2RS	End hanger set mortice wrap around - right hand (incl. hanger and guide)
	HSFR4S	Intermediate hanger set (includes hanger, guide and hinge)
	HSF8S	Meeting door set - rebated (incl. 2 hangers and 2 guides)
	HSFR8S	Mortice meeting door set - mortice for square cut doors (includes 2 hangers and 2 guides)
Pivot Sets	HSFR1S	Pivot set mortice wrap around (incl. top and bottom pivots)
	HSFR9S	Intermediate pivot hinge check in (optional for doors over 2200mm high)
Hinge Sets	HSFR3S	Hinge handle set (incl. 2 hinges and 1 hinge handle)
	HSFR5S	Hinge set – inward opening (incl. 3 hinges)
	HSFR6S	Offset hinge set – inward opening (incl. 3 offset hinges)
	HSFR7S	Offset hinge handle set – outward opening (incl. 2 offset hinges and 1 offset hinge handle)
Channels	H89SS	Stainless steel (2000 & 3000mm length)
	H94X	Aluminium (2000, 3000, 4000 & 6000mm lengths)
	H94	Brass (1500 & 3000mm lengths)
	H94P	Polypropylene (2000, 3000, 4000 & 6000mm lengths)
	H94PSC	Aluminium supporting channel and polypropylene (2000, 3000, 4000 & 6000mm lengths)
Accessories	Flushbolts	
	HSF190S	190mm non locking flushbolt
	HSF190LS	190mm locking flushbolt
	HSF450S	450mm non locking flushbolt
	HSF450LS	450mm locking flushbolt
	HSF600S	600mm non locking flushbolt
	HSF600LS	600mm locking flushbolt



HENDERSON



HENDERSON



NOT TO SCALE

SECTION F

multidirectional door systems



HENDERSON

MULTIDIRECTIONAL DOOR SYSTEMS

Section Index and General Guide

Select system for your multidirectional door application.

APPLICATION	Residential	Commercial	Industrial	Max. Door	Product	Data Sheet
Commercial						
For internal partitions, moveable walls and shopfronts		■		100kg	Flexirol 90°	F20
For internal partitions, moveable walls and shopfronts, showrooms		■		500kg	Flexirol 135°	F30

FLEXIROL 90°

For top hung multidirectional stacking timber and aluminium doors. Max 100kg each.

APPLICATION

- Designed for lightweight panels for internal and external applications requiring 90° movement.
- Typical applications include internal partitions, moveable walls and shopfronts
- Suitable for sliding individual doors to dedicated areas, usually on either side of the opening where folding doors would not be suitable
- Floor channel is not necessary since the doors may be secured in position by stops, flush bolts or locks
- To cover any width of opening, any number of panels can be used

DOOR SPECIFICATION

Track System	Flexirol 90°
For Individual Doors:	
Max Door Weight	100kg-2 hangers per leaf 50kg-1 hanger per leaf
Max Door Width	6000mm
Min Door Thickness	40-100mm*
Max Door Height	6000mm
Max swing door width	1200mm

* For doors thicker than 100mm, please contact our technical sales team for further information.

HARDWARE SPECIFICATION

Track **H550** Anodised Aluminium (2000, 3000, 4000 & 6000mm lengths)
Please contact our Technical Sales Team for full range of finishes

Track Intersects & Elbows **HTW/550** Aluminium 'T' junction
HKW/550 Aluminium cross-junction
H90/550 Aluminium elbow

Brackets **H1A/550** Face fixed
H3S/550 Soffit fixed

Hangers (2 per door)* **H555/21** Timber Doors - angle plate fixing
H555/61 Timber Doors - concealed plate fixing
Vertical adjustment is simple and positive

* Each panel must be rigid enough to be supported by only two hangers

Pivot Set **H21/550P** Top and bottom pivots for single access door

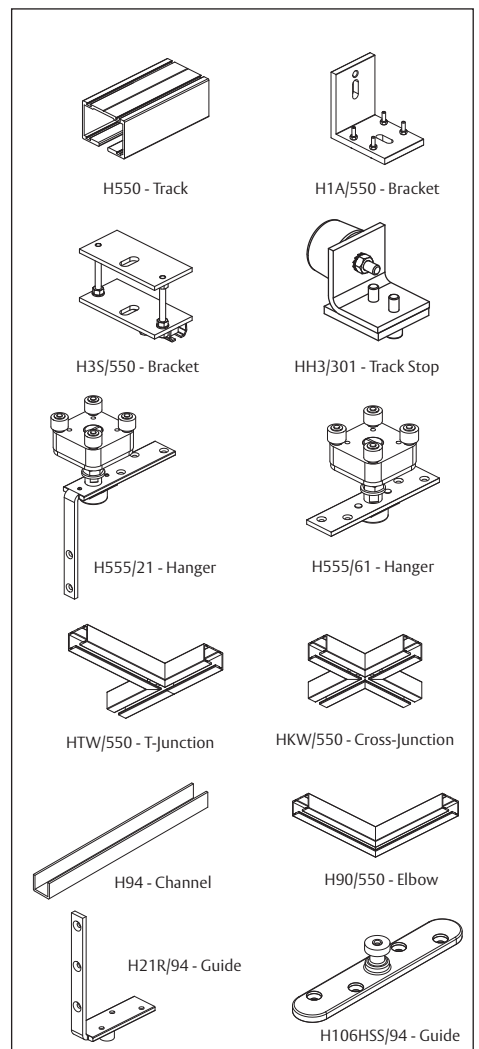
Track Stop **HH3/301** Flexirol track stop

Guides **H106HSS/94** Timber Doors - concealed fixing
H21R/94 Timber Doors - angle plate fixing
H104N/94 Metal Doors - angle frame fixing

Channels **H94X** Aluminium (2000, 3000, 4000 & 6000mm lengths)
H94P Polypropylene (2000, 3000, 4000 & 6000mm lengths)
H94PSC Aluminium supporting channel and polypropylene (2000, 3000, 4000 & 6000mm lengths)

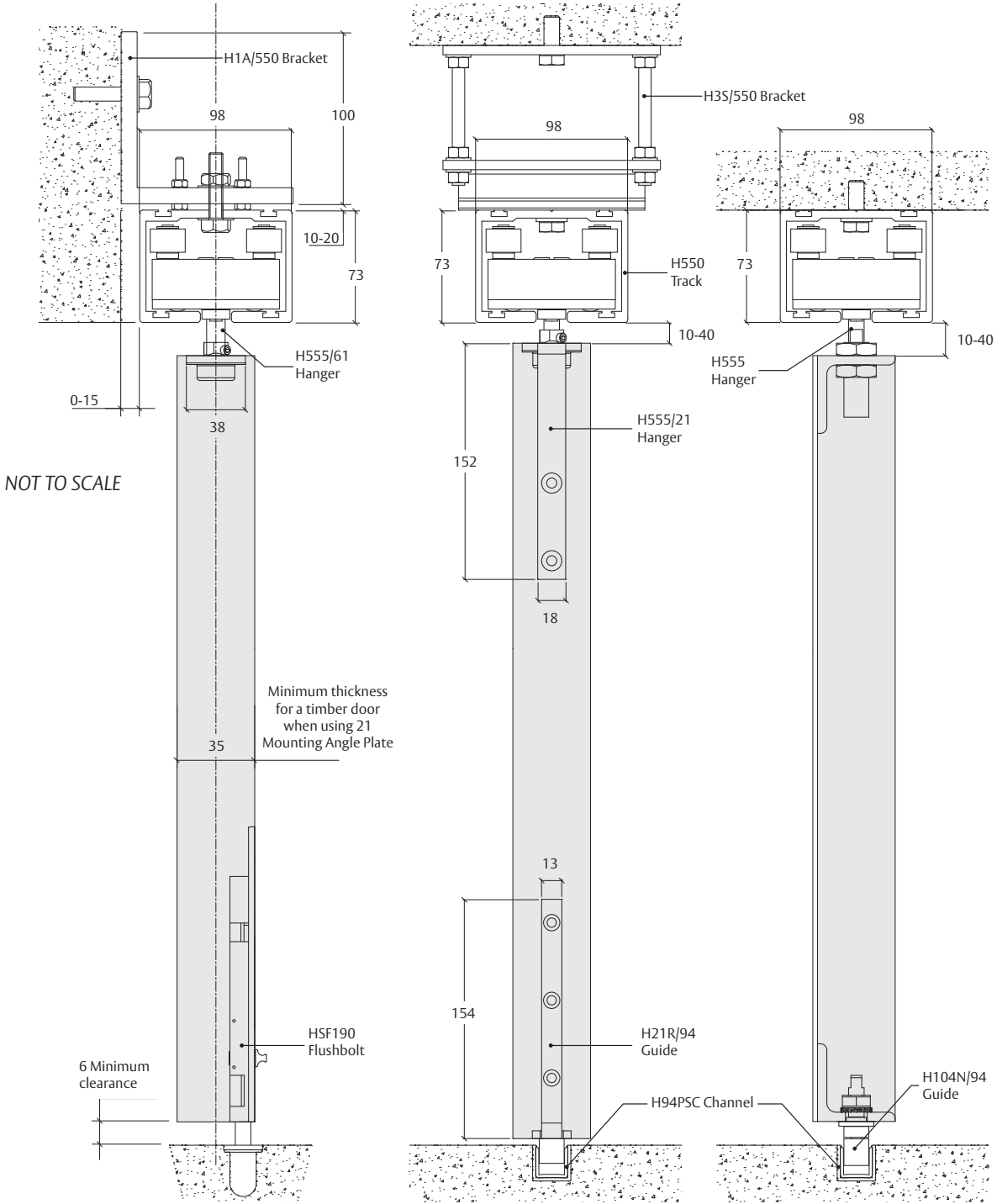
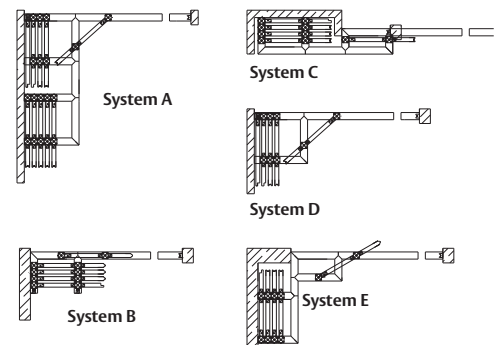
Accessories

Flush Bolts **HSF190S**
HSF190LS



HENDERSON

90° Configurations



NOT TO SCALE

Minimum thickness for a timber door when using 21 Mounting Angle Plate

6 Minimum clearance

FLEXIROL 135°

For top hung multidirectional stacking timber and aluminium doors. Max 500kg each.

APPLICATION

- Designed for heavy panels for internal applications requiring 135° movement. Typical applications include internal partitions, moveable walls and shopfronts, showrooms and conference centres
- Suitable for sliding individual doors to dedicated areas, usually on either side of the opening where folding doors would not be suitable
- Floor channel is not necessary since the doors may be secured in position by stops, flush bolts or locks
- To cover any width of opening, any number of panels can be used
- Can be configured in a number of different stacking designs/systems

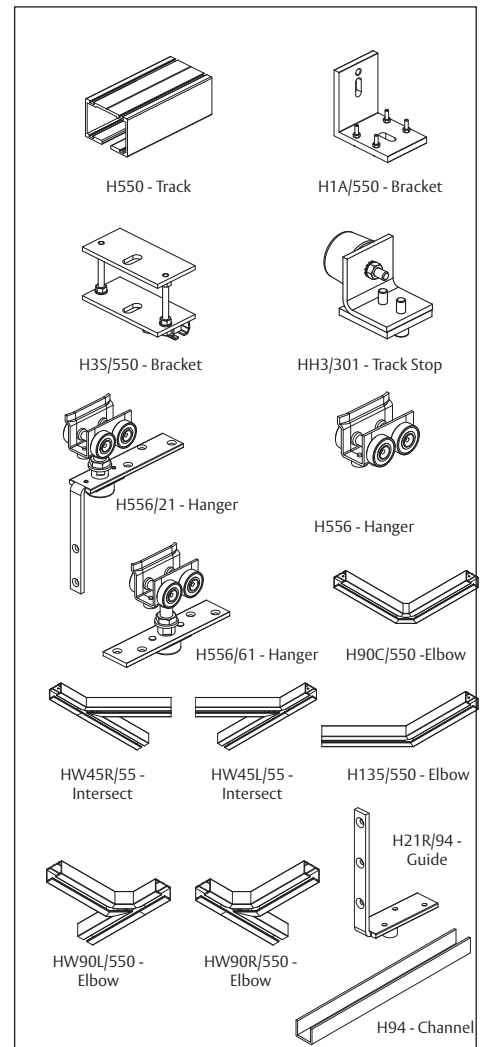
DOOR SPECIFICATION

Track System	Flexirol 135°
For Individual Doors:	
Max Door Weight	500kg – 2 hangers per leaf 250kg – 1 hanger per leaf
Max Door Width	6000mm
Min Door Thickness	40-100mm*
Max Door Height	6000mm
Max swing door width	6000mm

* For doors thicker than 100mm, please contact our technical sales team for further information.

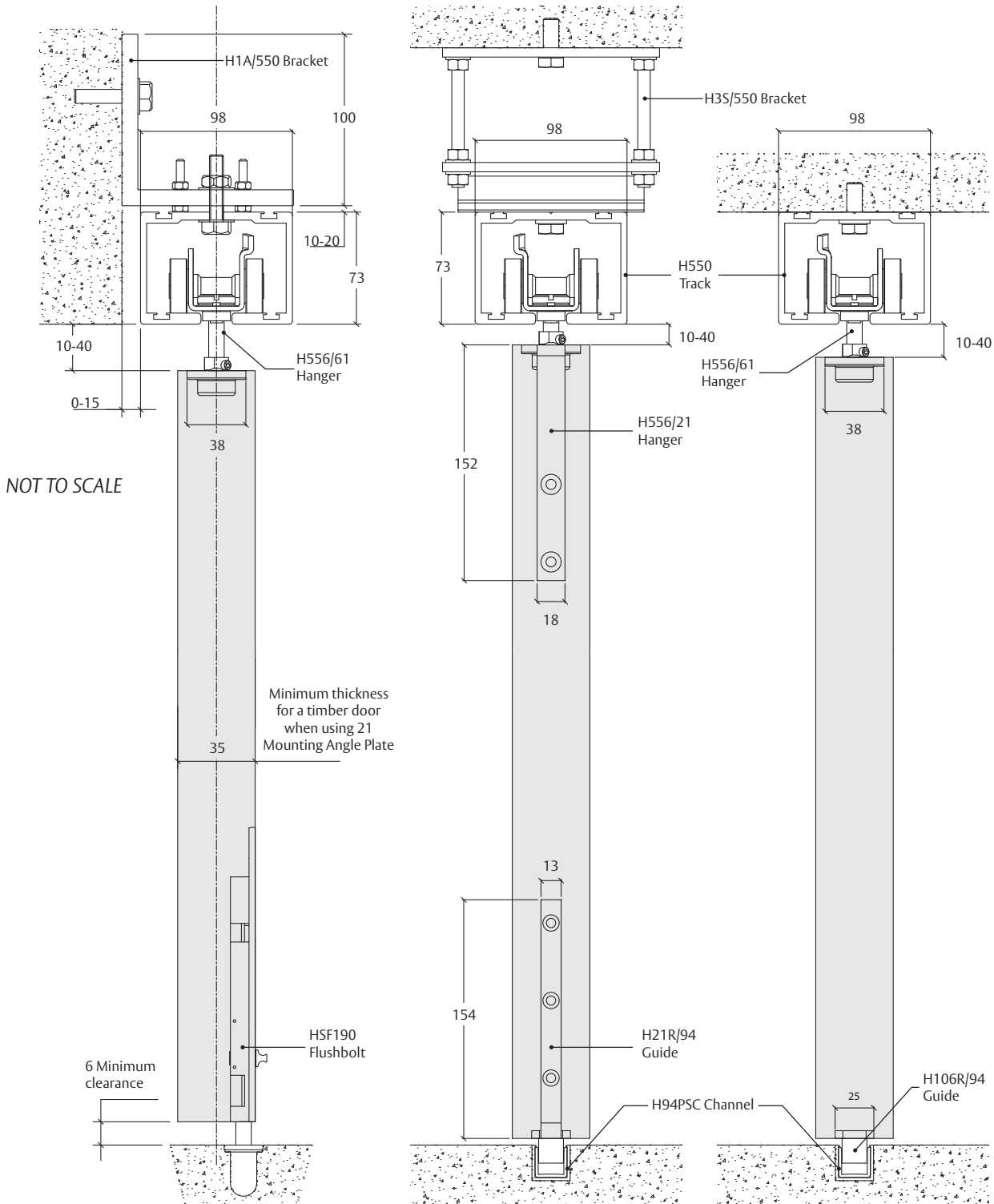
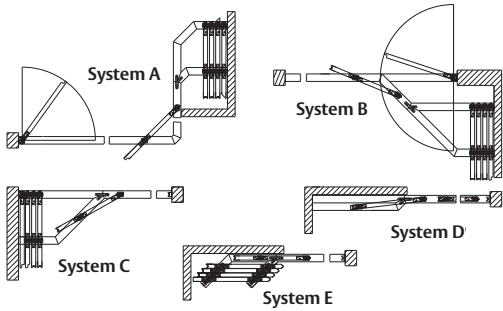
HARDWARE SPECIFICATION

Track	H550	Anodised Aluminium (2000, 3000, 4000 & 6000mm lengths) Please contact our Technical Sales Team for full range of finishes
Track Intersects & Elbows	H45(LorR)/550 H135/550 H90L/550 HW90(LorR)/550	Anodised Aluminium 135° intersect (LH or RH) Anodised Aluminium elbow Anodised Aluminium 90° swept elbow for 135° hanger Anodised Aluminium 90° swept elbow for 135 hanger (LH or RH)
Brackets	H1A/550 H3S/550	Face fixed Soffit fixed
Hangers (2 per door)*	H556 H556/21 H556/61	Metal doors - angle frame fixing Timber Doors - angle plate fixing Timber Doors - concealed plate fixing
* Each panel must be rigid enough to be supported by only two hangers		
Pivot Set	H21/550P	Top and bottom pivots for single access door
Track Stop	HH3/301	Flexirol track stop
Guides	H106R/94 H21R/94	Timber Doors - concealed fixing Timber Doors - angle plate fixing
Channels	H94X H94P H94PSC	Aluminium (2000, 3000, 4000 & 6000mm lengths) Polypropylene (2000, 3000, 4000 & 6000mm lengths) Aluminium supporting channel and polypropylene (2000, 3000, 4000 & 6000mm lengths)
Accessories		
Flush Bolts	HSF190S HSF190LS	



HENDERSON

135° Configurations



SECTION G

round the corner &
overhead runway systems



HENDERSON

ROUND THE CORNER & OVERHEAD RUNWAY SYSTEMS

round the corner & overhead runway systems

Section Index and General Guide

Select system for your top hung application.

APPLICATION	Residential	Commercial	Industrial	Max. Door	Product	Data Sheet
Industrial						
For residential garages, commercial and light industrial applications			■	35kg	Tangent 290	G20
For residential garages, commercial and light industrial applications	■	■	■	70kg	Tangent 301	G30
For larger or heavier applications where robust gear is required	■	■	■	80kg	Tangent 305	G40
For light overhead track for industrial curtains		■	■	40kg	290 Industrial Curtain	G50
For residential garages, commercial and light industrial applications			■	190kg	301 Overhead Runway	G60
For larger or heavier applications where robust gear is required			■	225kg	305 Overhead Runway	G70

HENDERSON

TANGENT 290

round the corner & overhead runway systems

For round the corner straight sliding top hung doors. Max 35kg

APPLICATION

- Designed for doors that slide clear of the opening and park along the adjacent side wall, suitable where a bunched unit of parked leaves would be impractical
- Ideal for residential garages, commercial and light industrial applications
- The end leaf of the system nearest the track curve can form a swinging access door

DOOR SPECIFICATION

Track System Tangent 290

For Individual Doors:

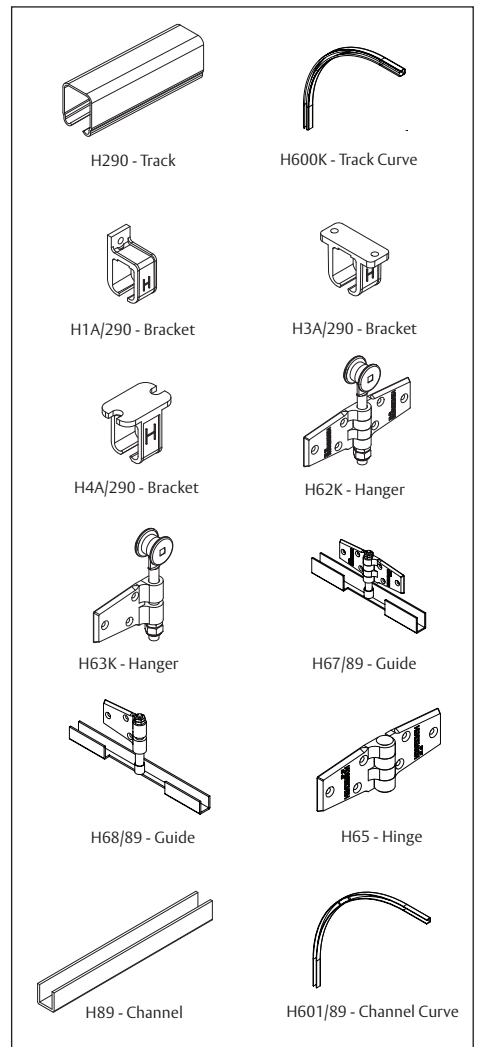
Max Panel Weight 35kg
 Max Panel Width 711-900mm
 Panel Thickness 35-50mm
 Max Panel Height 2400mm

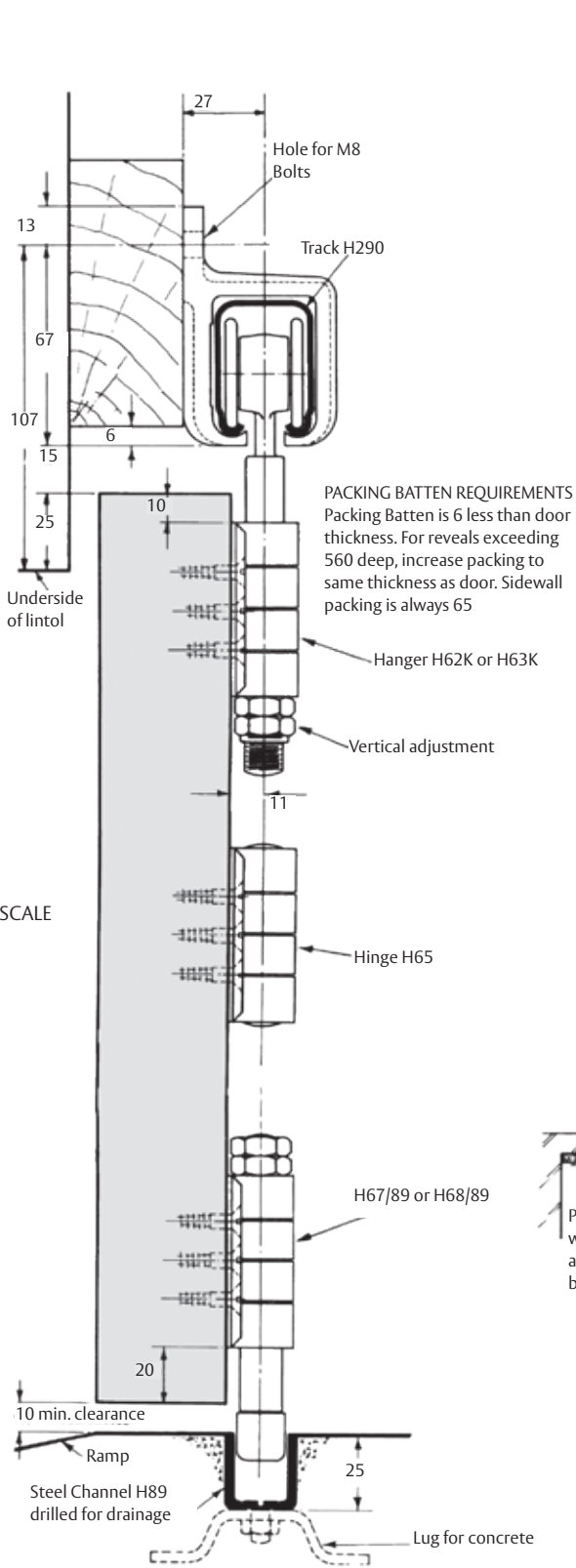
Minimum clearance between leaves to be 2mm

Door leaves to be constructed to provide secure fixing for hanger, hinges and guides and can be flush, paneled or glazed. Door units should consist of 3 to 5 leaves.

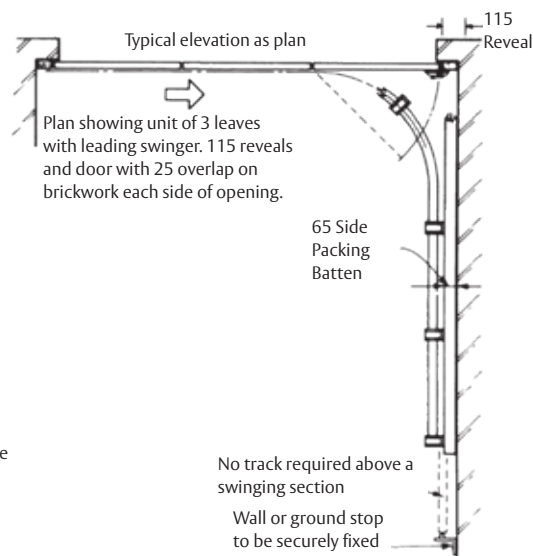
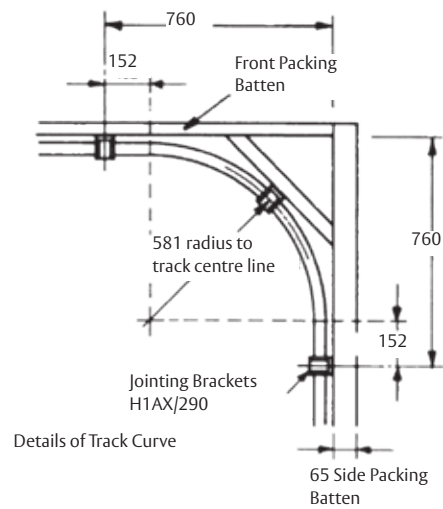
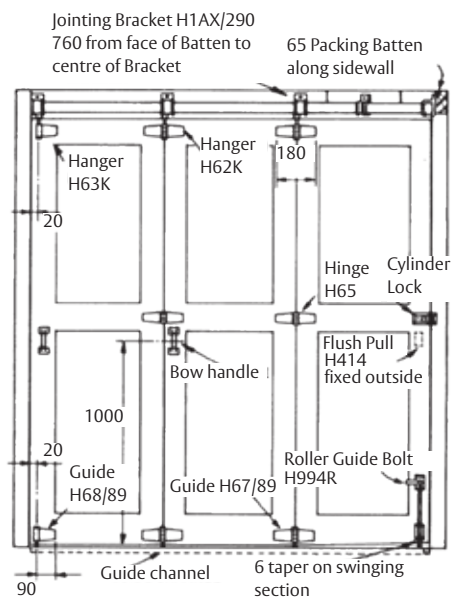
HARDWARE SPECIFICATION

Track	H290	Galvanised Steel (2000, 3000, 4000 & 6000mm lengths) Fix spacing at 900mm centres (maximum)
Track Curve	H600K	Galvanised steel 90 degree track curve
Brackets	H1/290S H1A/290 H3A/290 H4A/290	Steel (zinc plated) face fix, single track bracket Aluminium face fix, single track bracket Aluminium soffit fix, single track bracket Aluminium soffit fix (in line), single track bracket
Hangers	H62K H63K	Intermediate hanger End hanger
Guides	H67/89 H68/89	Intermediate guide End guide
Hinges	H65	Aluminium alloy hinge
Channels	H89	Galvanised steel (2000, 3000 & 4000mm lengths)
Channel Curve	H601/89	Galvanised steel 90 degree track curve
Accessories		
Flush Pull	H414	Diecast aluminium
Bow Handle	H463	Zinc plated cast iron
Flushbolt	H78	Zinc plated steel
Bolts	H994 H994S	Surface bolt, 380mm, zinc plated steel Surface bolt locking, 380mm, zinc plated steel





NOT TO SCALE



TANGENT 301

round the corner & overhead runway systems

For round the corner straight sliding top hung doors. Max 55kg or 70kg each leaf

APPLICATION

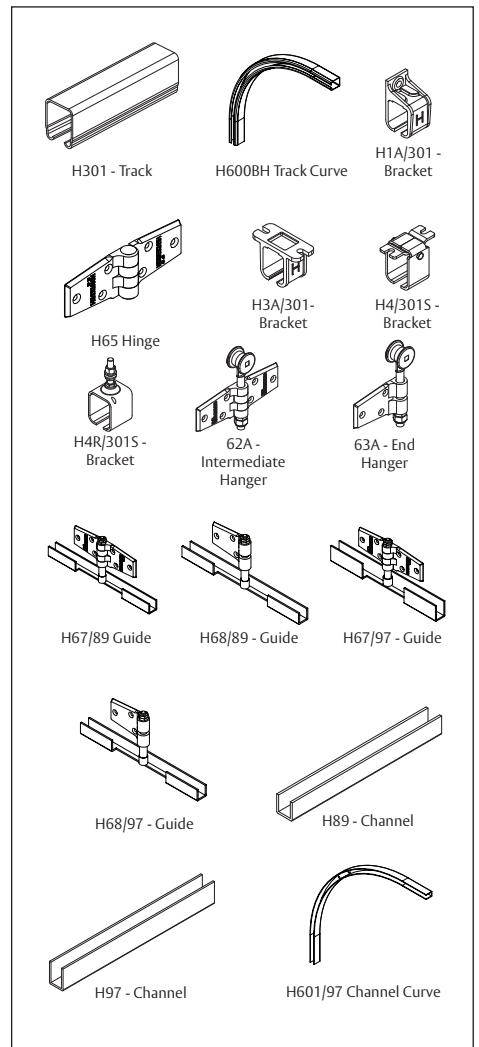
- Designed for doors that slide clear of the opening and park along the adjacent side wall, suitable where a bunched unit of parked leaves would be impractical
- Ideal for residential garages, commercial and light industrial applications
- The end leaf of the system nearest the track curve can form a swinging access door

DOOR SPECIFICATION

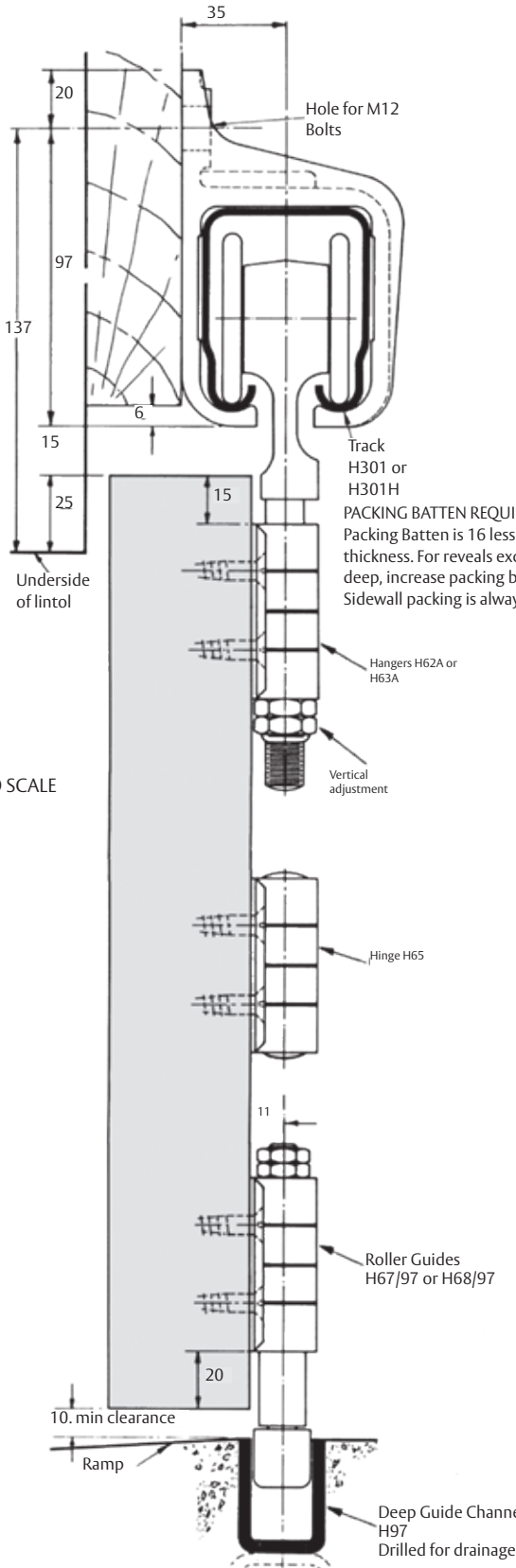
Track System	Tangent 301	Tangent 301H
For Individual Doors:		
Max Panel Weight	55kg	70kg
Max Panel Width	711-900mm	711-900mm
Panel Thickness	35-50mm	35-50mm
Max Panel Height	2400mm	2400mm
Minimum clearance between leaves to be 2mm		
Door leaves to be constructed to provide secure fixing for hanger, hinges and guides and can be flush, paneled or glazed. Door units should consist of 3 to 5 leaves.		

HARDWARE SPECIFICATION

Track	H301 or H301H	Galvanised Steel (2000, 2500, 3000, 4000 & 6000mm lengths) Fix spacing at 900mm centres (maximum)
Track Curve	H600B H600BH	H301 Galvanised steel 90 degree track curve H301 Galvanised steel 90 degree track curve
Brackets	H1/301S H1A/301 H3A/301 H4A/301 H4R/301	Steel (zinc plated) face fix, single track bracket Aluminium face fix, single track bracket Aluminium soffit fix, single track bracket Aluminium soffit fix (in line), single track bracket Steel soffit fix (adjustable) single track bracket
Hangers	H62A H63A	Intermediate hanger End hanger
Guides	H67/89 H68/89 H67/97 H68/97	Intermediate guide End guide Intermediate guide End guide
Hinges	H65	Aluminium alloy hinge
Channels	H89 H97	Galvanised steel (2000, 3000 & 4000mm lengths) Galvanised steel (1800, 2000, 2500, 3000, 4000 & 6000mm lengths) Pre-drilled for lugging into concrete and for use in drainage funnel.
Channel Curve	H601/89	Galvanised steel 90 degree track curve
Accessories		
Flush Pull	H414	Diecast aluminium
Bow Handle	H463	Zinc plated cast iron
Flushbolt	H77J	Zinc plated steel
Bolts	H994 H994S	Surface bolt, 380mm, zinc plated steel Surface bolt locking, 380mm, zinc plated steel

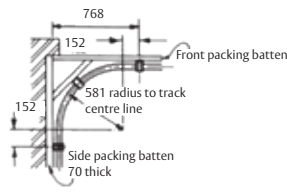
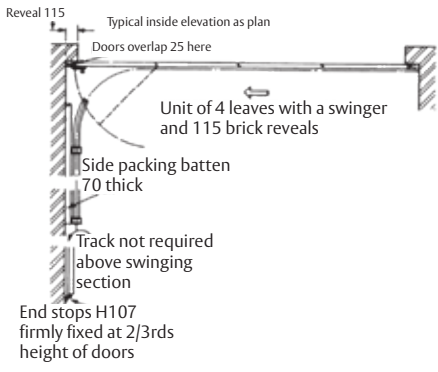
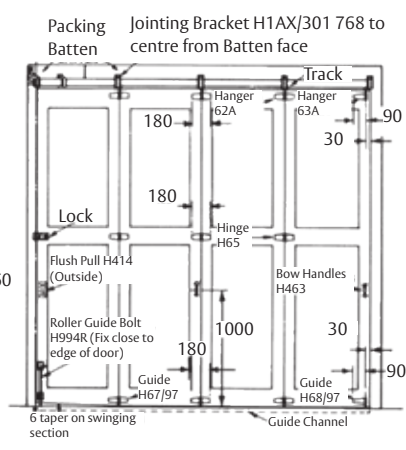


HENDERSON



NOT TO SCALE

PACKING BATTEN REQUIREMENTS
 Packing Batten is 16 less than door thickness. For reveals exceeding 560 deep, increase packing by 6
 Sidewall packing is always 70



TANGENT 305

round the corner & overhead runway systems

For round the corner straight sliding top hung doors. Max 80kg

APPLICATION

- Designed for doors that slide clear of the opening and park along the adjacent side wall, suitable where a bunched unit of parked leaves would be impractical
- Ideal for larger or heavier commercial or industrial applications where a robust gear is required
- To cover any width opening any number of units can use on a single track

DOOR SPECIFICATION

Track System **Tangent 305**

For Individual Doors:

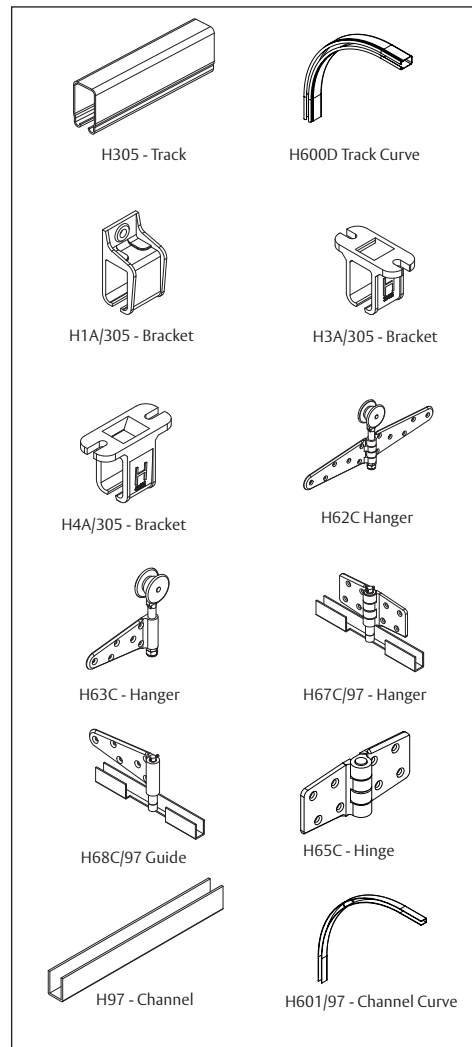
Max Panel Weight	80kg
Max Panel Width	711-900mm
Panel Thickness	45-55mm
Max Panel Height	4500mm

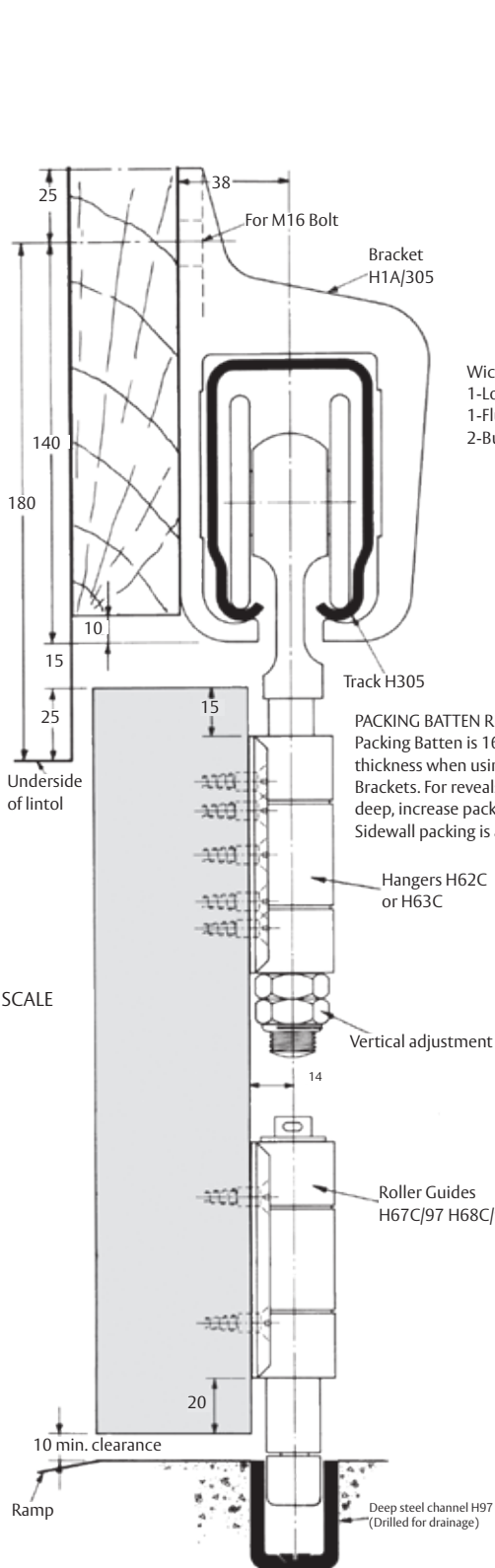
Minimum clearance between leaves to be 2mm

Door leaves to be constructed to provide secure fixing for hanger, hinges and guides and can be flush, paneled or glazed. Door units should consist of 3 to 5 leaves.

HARDWARE SPECIFICATION

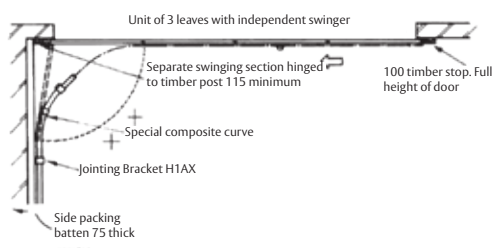
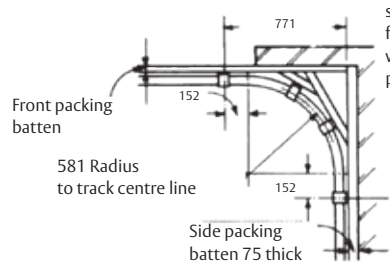
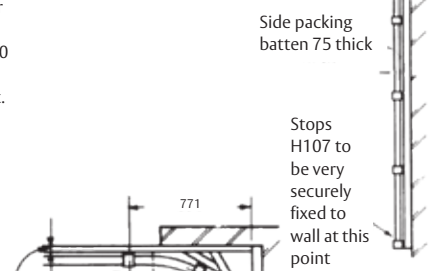
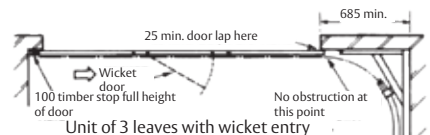
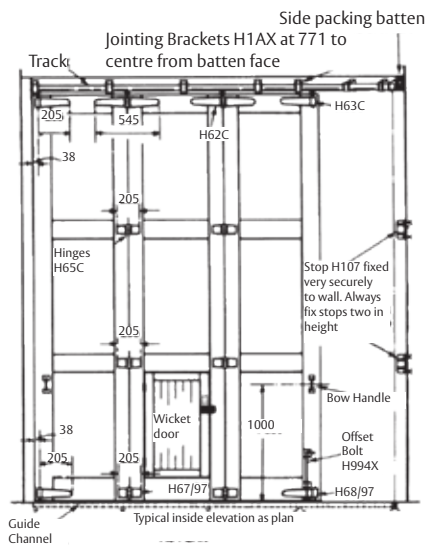
Track	H305	Galvanised Steel (2000, 2500, 3000, 4000 & 6000mm lengths) Fix spacing at 900mm centres (maximum)
Track Curve	H600D	Galvanised steel 90 degree track curve
Brackets	H1A/305 H1AX/305 H3A/305 H4A/305	Aluminium face fix, single track Joining bracket Aluminium soffit fix, single track Aluminium soffit fix (in line), single track
Hangers	H62C H63C	Intermediate hanger End hanger
Guides	H67C/97 H68C/97	Intermediate guide End guide
Hinges	H65C	Intermediate hinge
Channels	H97	Galvanised steel (2000, 3000, 4000 & 6000mm lengths)
Channel Curve	H601/97	Galvanised steel 90 degree channel curve
Accessories		
Flush Pull	H414	Diecast aluminium, 133 x 60mm
Bow Handle	H463	Zinc plated cast iron, 159 x 46mm
Flushbolt	H78	Zinc plated steel, 127 x 45mm
Bolts	H994 H994S	Surface bolt, 380mm, zinc plated steel Surface bolt locking, 380mm, zinc plated steel





Wicket Gear
 1-Lock H444
 1-Flush Pull H414
 2-Butts H41

NOT TO SCALE



INDUSTRIAL CURTAINS

round the corner & overhead runway systems

Top hung curtain and cable carrying sliding track system. Max 5kg, 20kg or 40kg

APPLICATION

- Light overhead track for industrial curtains
- The track will support electrical or other cables required for travelling cranes, gantries or moving machinery
- The track will also carry small hand machinery leaving working areas clear

LOAD SPECIFICATION

For Track	H280	H290
Industrial Curtains:		
Max Hanger Capacity	5kg	20kg
Cable Carriers:		
Max Hanger Capacity		40kg

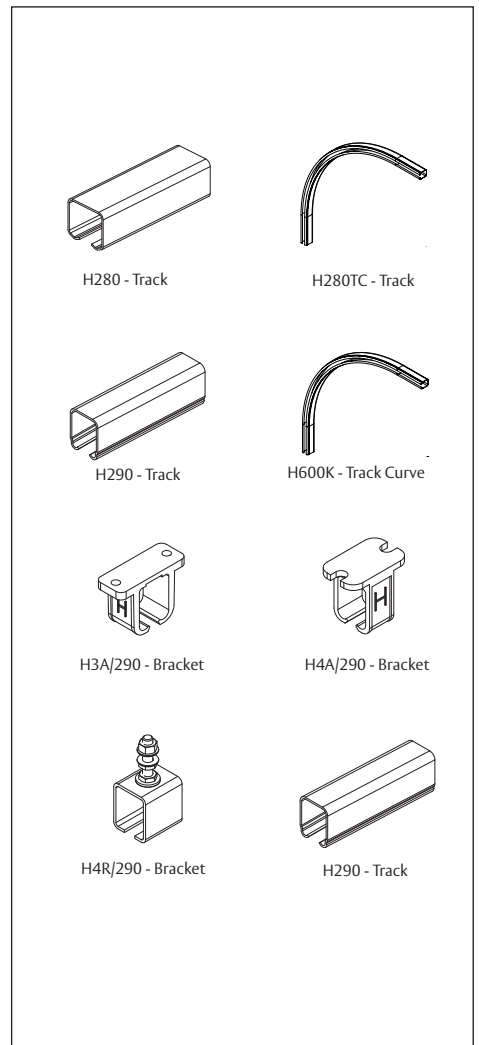
HARDWARE SPECIFICATION

Track	H280	Steel (2000, 3000, 4000 & 6000mm lengths)
	H290	Galvanised Steel (2000, 2500, 3000, 4000 & 6000mm lengths) Fix spacing at 900mm centres (maximum)
Track Curve	H280TC*	Galvanised steel 90 degree track curve (for H280 track)
	H600K**	Galvanised steel 90 degree track curve (for H290 track)
		* 381 radiuses with 230mm straight ends for joining up to straight track sections
		** 581 radiuses with 152mm straight ends for joining up to straight track sections
Brackets	H3/290S	Steel soffit fix, single track
	H3A/290	Aluminium soffit fix, single track
	H3AX/290	Aluminium soffit fix jointing, single track
	H4/290S	Steel soffit fix (in line), single track
	H4A/290	Aluminium soffit fix (in line), single track
	H4AX/290	Aluminium soffit fix (in line) jointing, single track
	H4R/290	Steel soffit fix (adjustable), single track
	H4RX/290	Steel soffit fix (adjustable) jointing, single track
		Fix spacing at 900mm centres (maximum) - (600mm or less for heavier loads)

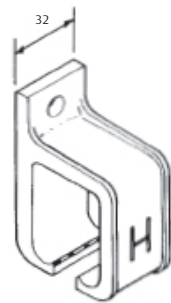
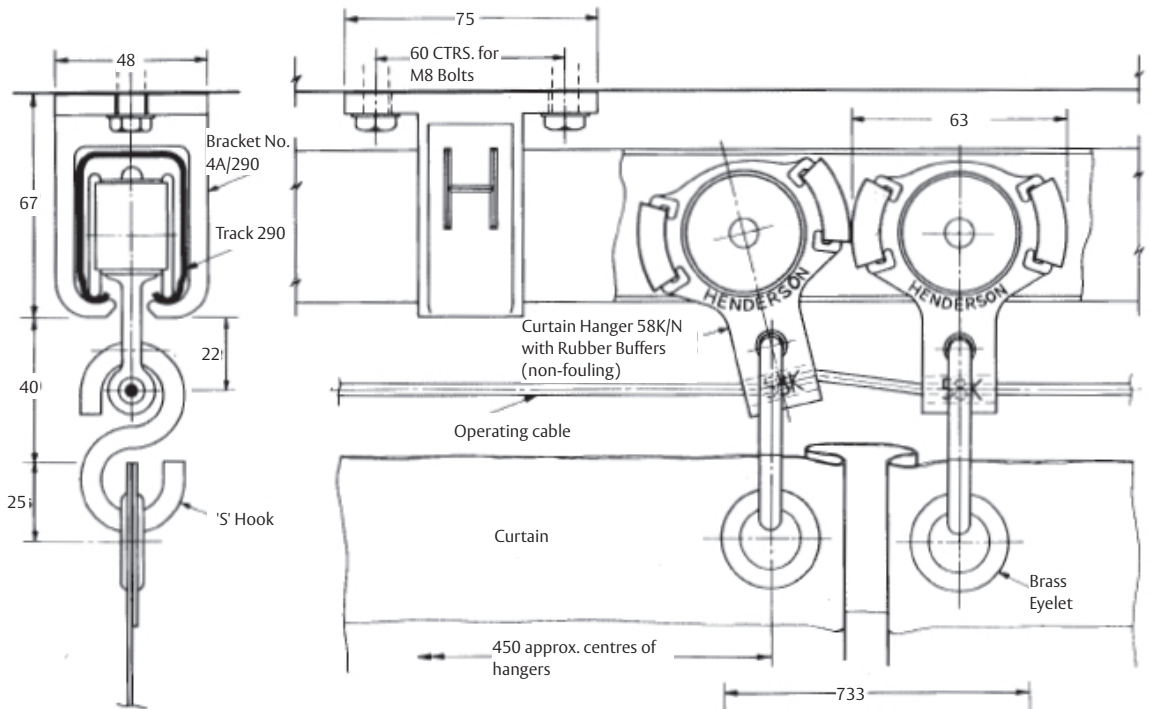
The fixing may be direct to the existing overhead structure but it is important that bracket centres are maintained and provision made for curves where required. A check should be made to ensure the structure is capable of supporting the track with its moving loads.

Hangers	H288H	For industrial curtains on 280 track, supplied with S hook
	H58K/N	For industrial curtains on 290 track, supplied with S hook
	H56K/N	For cable carriers on H290 track, 4 nylon wheels with threaded bolt

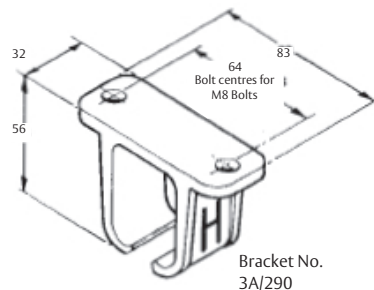
For information on Henderson parts please contact your technical sales team.



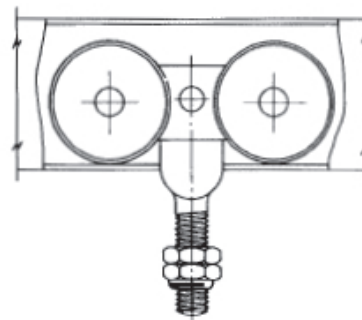
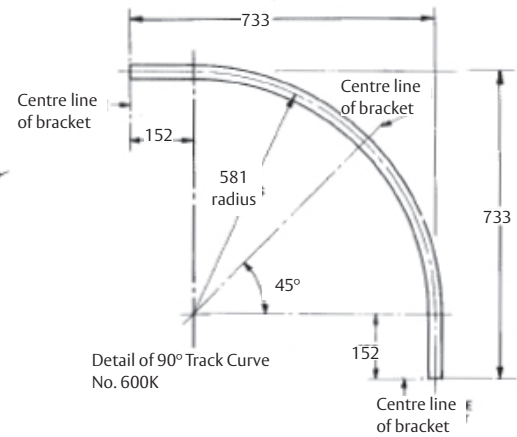
HENDERSON



Bracket No. 1A/290



Alternative Brackets



Hanger No. 56K/N
(Cable carrier)

OVERHEAD RUNWAY GEAR 301

round the corner & overhead runway systems

Top hung overhead sliding track system. Max 140kg or 190kg

APPLICATION

- Overhead track systems allow easy movement of equipment throughout the work place
- Suitable for commercial, industrial and agricultural applications

LOAD SPECIFICATION

For Track	H301	H301H
Straight Run:		
Max Load Weight	135kg	190kg
Curve Run:		
Max Load Weight	110kg	140kg

HARDWARE SPECIFICATION

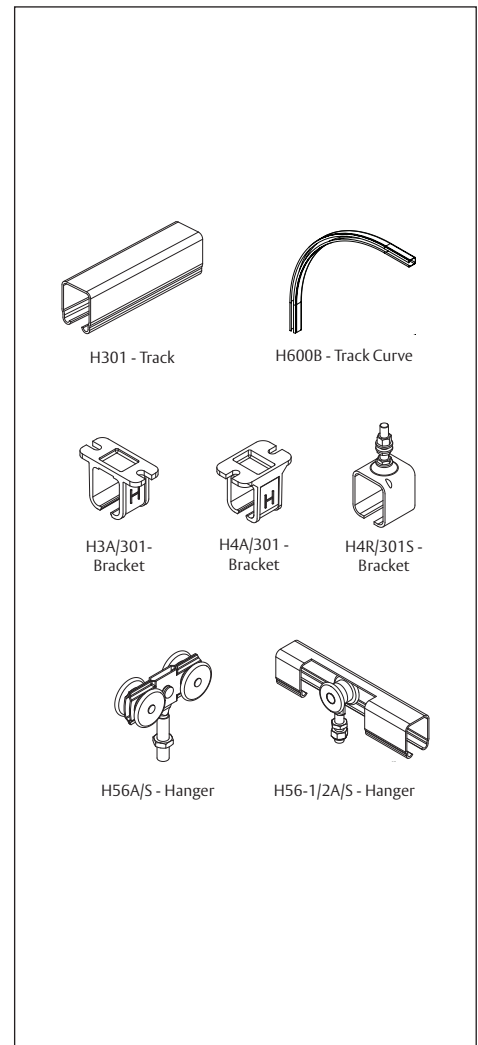
Track **H301 or H301H** Galvanised Steel (2000, 2500, 3000, 4000 & 6000mm lengths)
Fix spacing at 900mm centres (maximum)

Track Curve **H600B** Galvanised steel 90 degree track curve (for H301 track)
H600BH Galvanised steel 90 degree track curve (for H301H track)
581 radiuses with 152mm straight ends for joining up to straight track sections

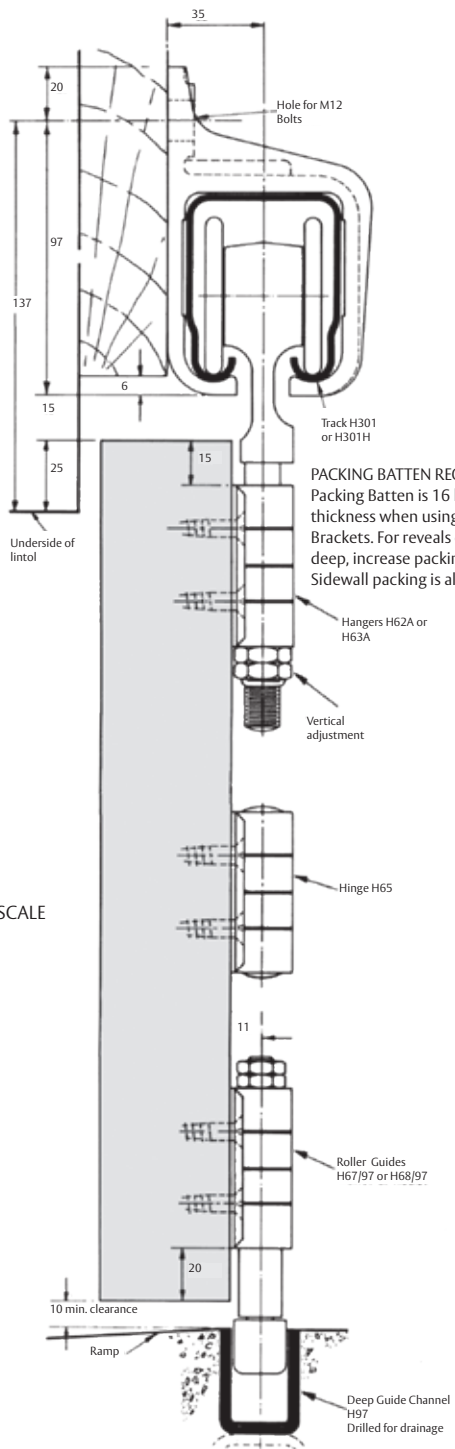
Brackets **H3/301S** Steel soffit fix, single track
H3A/301 Aluminium soffit fix, single track
H3AX/301 Aluminium soffit fix jointing, single track
H4/301S Steel soffit fix (in line), single track
H4A/301 Aluminium soffit fix (in line), single track
H4AX/301 Aluminium soffit fix (in line) jointing, single track
H4R/301 Steel soffit fix (adjustable), single track
H4RX/301 Steel soffit fix (adjustable) jointing, single track
Fix spacing at 900mm centres (maximum) - (600mm or less for heavier loads)

The fixing may be direct to the existing overhead structure but it is important that bracket centres are maintained and provision made for curves where required. A check should be made to ensure the structure is capable of supporting the track with its moving loads.

Hangers **H56A/S** 4 wheel hanger with threaded bolt
(for direct fixing to load or special fabricated carrier, on straight track)
H56-1/2 A/S 2 wheel hanger with threaded bolt
(for direct fixing to load or special fabricated carrier, on straight or curved track)
H70/301 2 wheel hanger with ring (for straight or curve track)
H71P/301 4 wheel hanger with flat plate (for straight track)

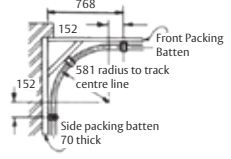
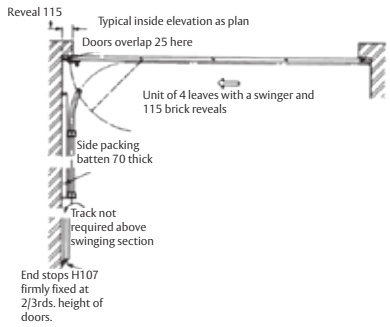
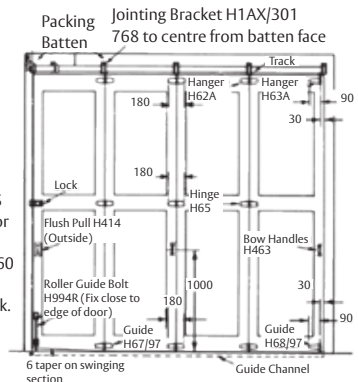


HENDERSON



PACKING BATTEN REQUIREMENTS
 Packing Batten is 16 less than door thickness when using H1A/305 Brackets. For reveals exceeding 560 deep, increase packing by 6
 Sidewall packing is always 75 thick.

NOT TO SCALE



OVERHEAD RUNWAY GEAR 305

round the corner & overhead runway systems

Top hung overhead sliding track system. Max 200kg or 225kg

APPLICATION

- Overhead track systems allow easy movement of equipment throughout the work place
- Suitable for heavier commercial, industrial and agricultural applications

LOAD SPECIFICATION

For Track	H305
Straight Run:	
Max Load Weight	225kg
Curve Run:	
Max Load Weight	200kg

HARDWARE SPECIFICATION

Track **H600D** Galvanised Steel (2000, 2500, 3000, 4000 & 6000mm lengths)
Fix spacing at 900mm centres (maximum)

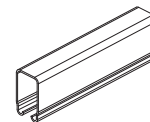
Brackets

H3A/305	Aluminium soffit fix, single track
H3AX/305	Aluminium soffit fix jointing, single track
H4A/305	Aluminium soffit fix (in line), single track
H4AX/305	Aluminium soffit fix (in line) jointing, single track
H4R/305	Steel soffit fix (adjustable), single track
H4RX/305	Steel soffit fix (adjustable) jointing, single track

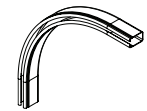
Fix spacing at 900mm centres (maximum) - (600mm or less for heavier loads)

The fixing may be direct to the existing overhead structure but it is important that bracket centres are maintained and provision made for curves where required. A check should be made to ensure the structure is capable of supporting the track with its moving loads.

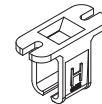
Hangers **H56C/S** 4 wheel hanger with threaded bolt
(for indirect fixing to load on straight or track)



H305 - Track



H600D Track Curve



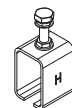
H4A/305 - Bracket



H3A/305 - Bracket



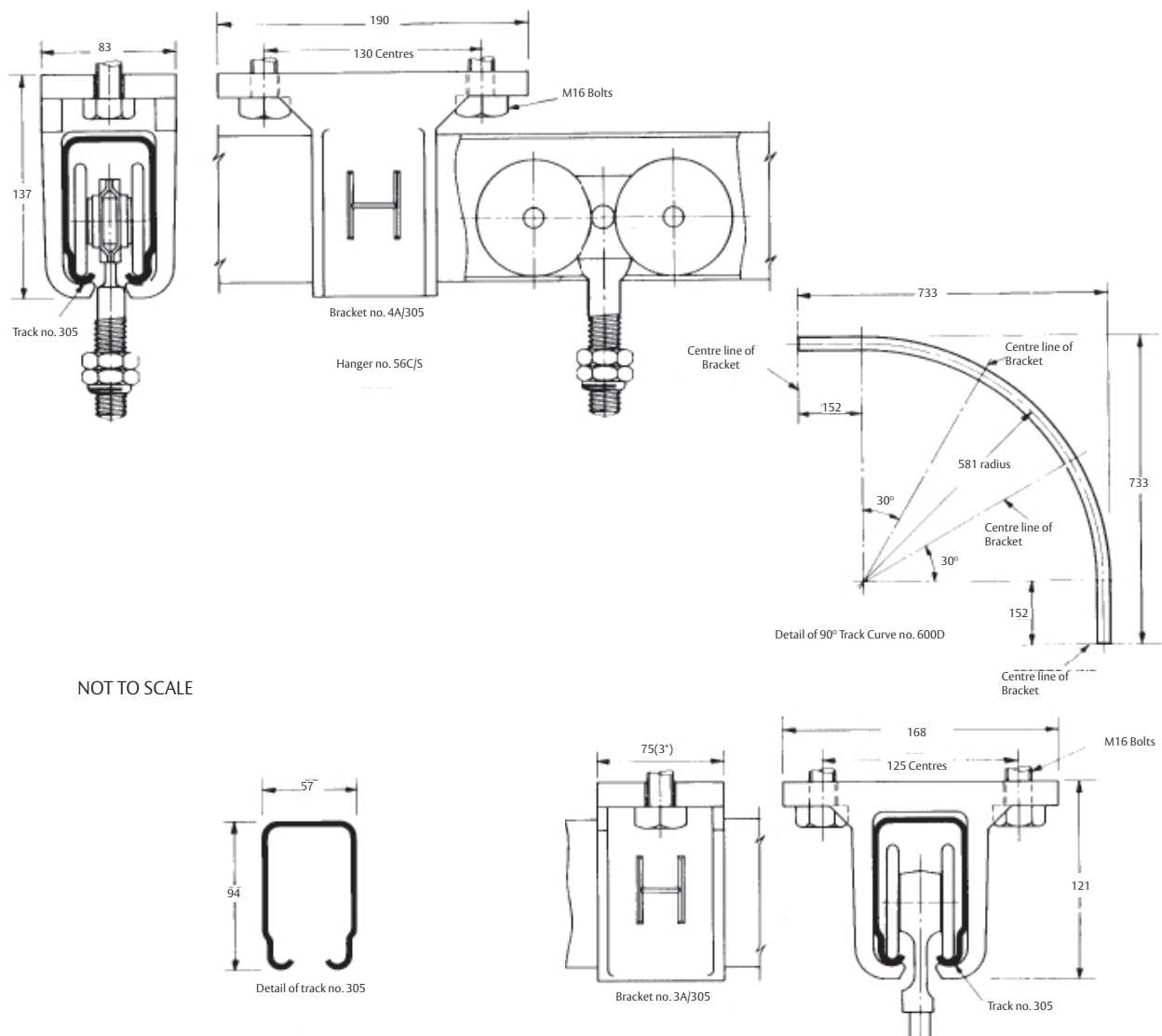
H56C/S - Hanger



H4R/305 - Bracket

HENDERSON

HENDERSON



SECTION H

glass door systems



HENDERSON

GLASS DOOR SYSTEMS

Section Index and General Guide

Select system for your top hung application.

APPLICATION	Residential	Commercial	Industrial	Max. Door	Product	Data Sheet
Commercial						
For interior frameless glass panels display cabinets sliding windows	■	■		25kg	Zenith	H20
For residential doors, office doors and small glass partitions	■	■		75kg	Husky Glass	H30
For interior residential or commercial applications	■	■		80kg	Velaro	H40
For interior residential or commercial applications	■	■		80kg	Velaro Soft Stop	H50
For interior residential or commercial applications	■	■		120kg	Sienna Glass	H60
For interior residential or commercial applications	■	■		130kg	Pacer Glass	H70
For interior residential or commercial applications		■		250kg	Traverse Glass	H80
For interior residential or commercial applications		■		500kg	Flexirol Glass	H90

ZENITH

For bottom rolling glass sliding doors. Max 25kg each leaf.

APPLICATION

- Suitable for interior sliding frameless glass or panels of mirror, plastic veneered timber.
- For showcases bathroom cabinets, product display cabinets, hatches and reception counter windows
- Double run system to suit bi passing panels with bottom rollers with jump proof design
- Manufactured using satin anodised aluminium with brush pile strips
- Silent and easy glide motion
- Panels can be secured by a specially designed cylinder lock

DOOR SPECIFICATION

Track System	Zenith
For Individual Door Leaves:	
Max Panel Weight	25kg
Max Panel Width	916mm
Panel Thickness	6mm
Max Panel Height	1800mm

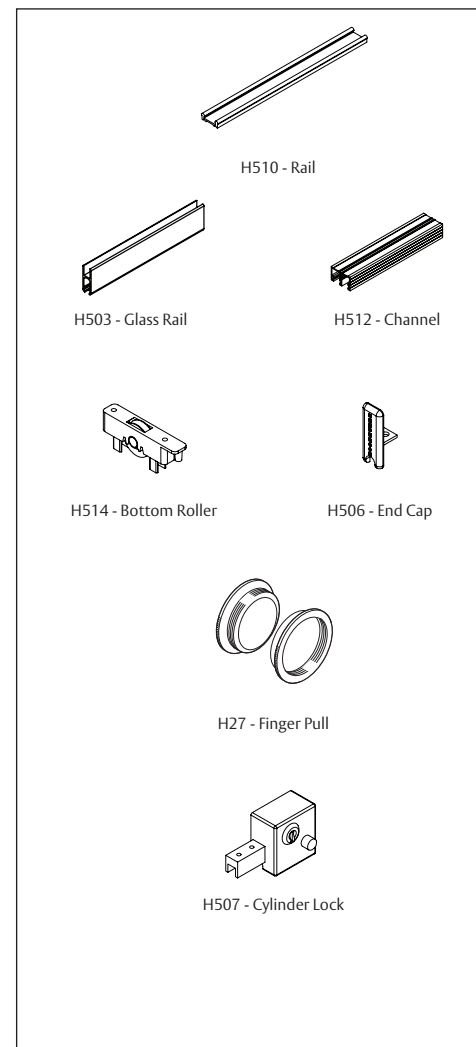
STANDARD SETS AND PACK

Set comprises of 1 bottom rail, 1 glass rail, 1 top channel including brush pile, 4 bottom rollers and 4 end caps and glazing rubber

Set no	Opening width	Track length	Hardware for
HZ12	1200mm	1200mm	2 doors
HZ15	1500mm	1500mm	2 doors
HZ18	1800mm	1800mm	2 doors

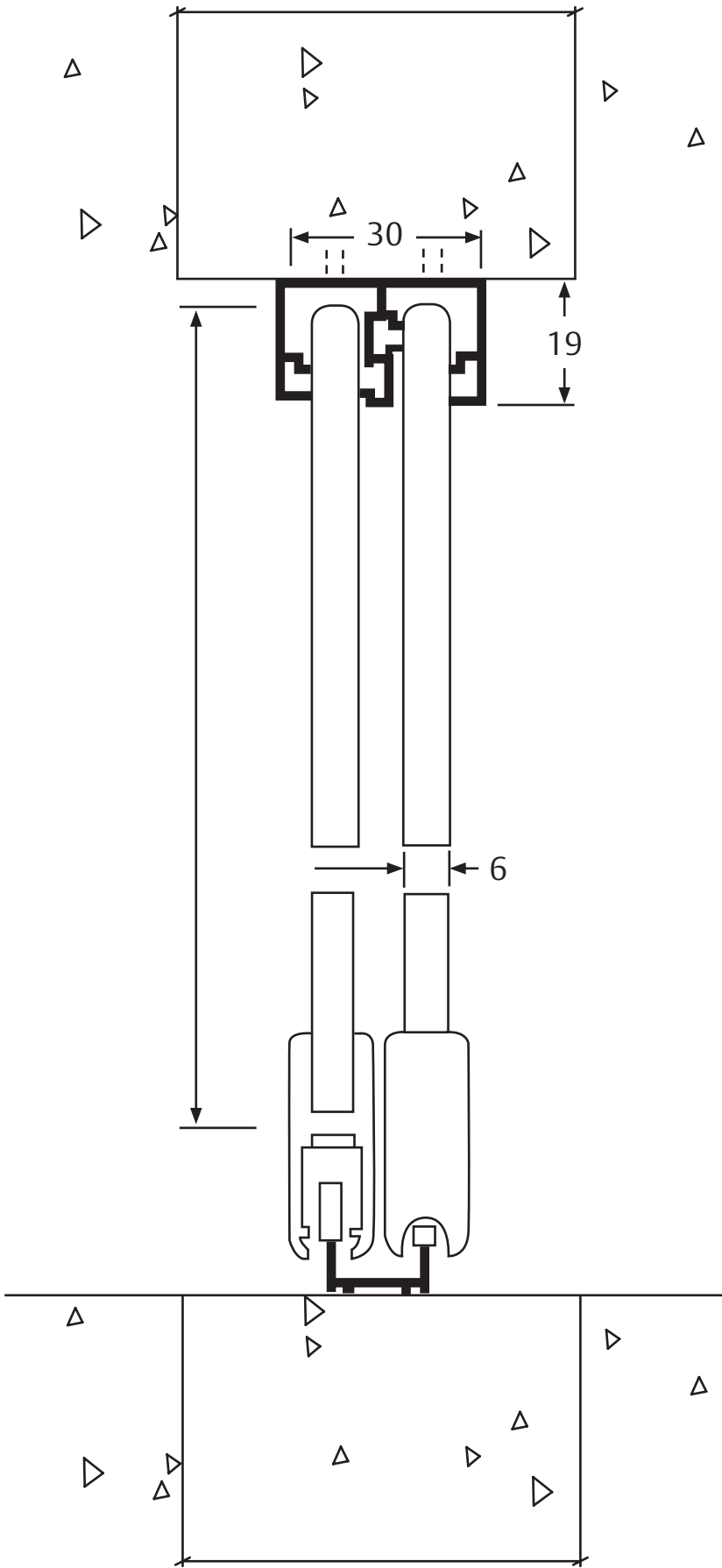
HARDWARE SPECIFICATION

Rail	H510/3000	Anodised aluminium bottom rail double run 3000mm lengths
Glass Rail	H503/3000	Anodised aluminium glazing rail 3000mm lengths
Channel	H512/3000	Anodised aluminium top channel double headed guide with brush pile 3600mm lengths
Bottom Roller	H514/N	Bottom roller with nylon tyre and precision bearing
End Cap	H506	Black plastic end caps
Glazing Strip	H509	Black glazing rubber
Accessories		
Finger Pull	H27	Plastic chrome finish designed to fit into a 22mm diameter hole in the panel
Cylinder Lock	H507	Cylinder lock (right or left hand)





HENDERSON



NOT TO SCALE

HUSKY GLASS

For top hung glass sliding doors. Max 75kg each leaf.

APPLICATION

- Ideal solution for light weight glass applications such as residential doors, office doors and small glass partitions
- Quiet operation, Aluminium track with nylon rollers
- Glass clamp eliminates the need for holes in glass
- Suitable for both toughened and laminated glass

DOOR SPECIFICATION

Track System	Husky Glass	Glass Weight
For Individual Doors:		Value is approximate based on
Max Door Weight	75kg	8mm glass panel = 20kg/m ²
Max Door Width	1200mm	10mm glass panel = 25kg/m ²
Door Thickness	8, 10, 12mm	12mm glass panel = 30kg/m ²
Max Door Height	2400mm	

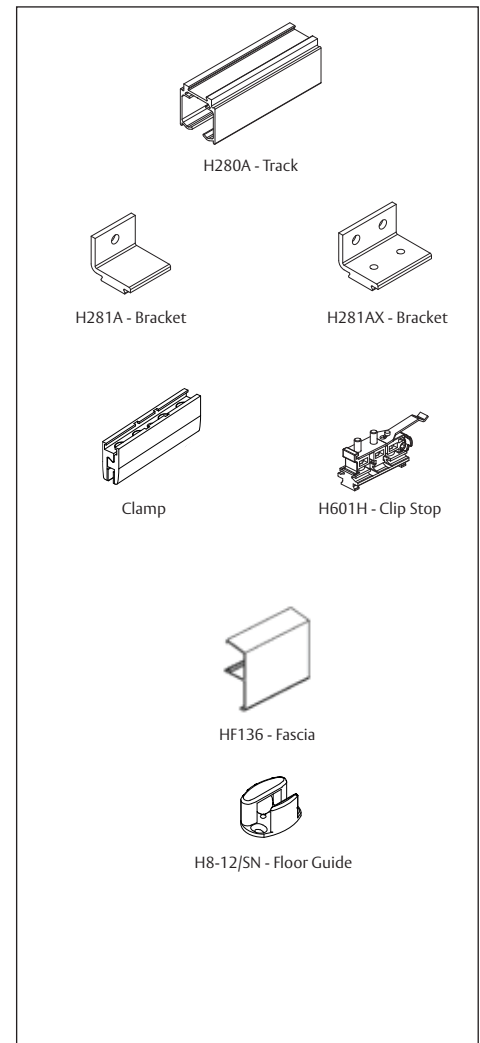
STANDARD SETS AND PACK

Sets comprise of 2 hangers, 2 glass clamps, 2 clip stops & 1 adjustable floor guide

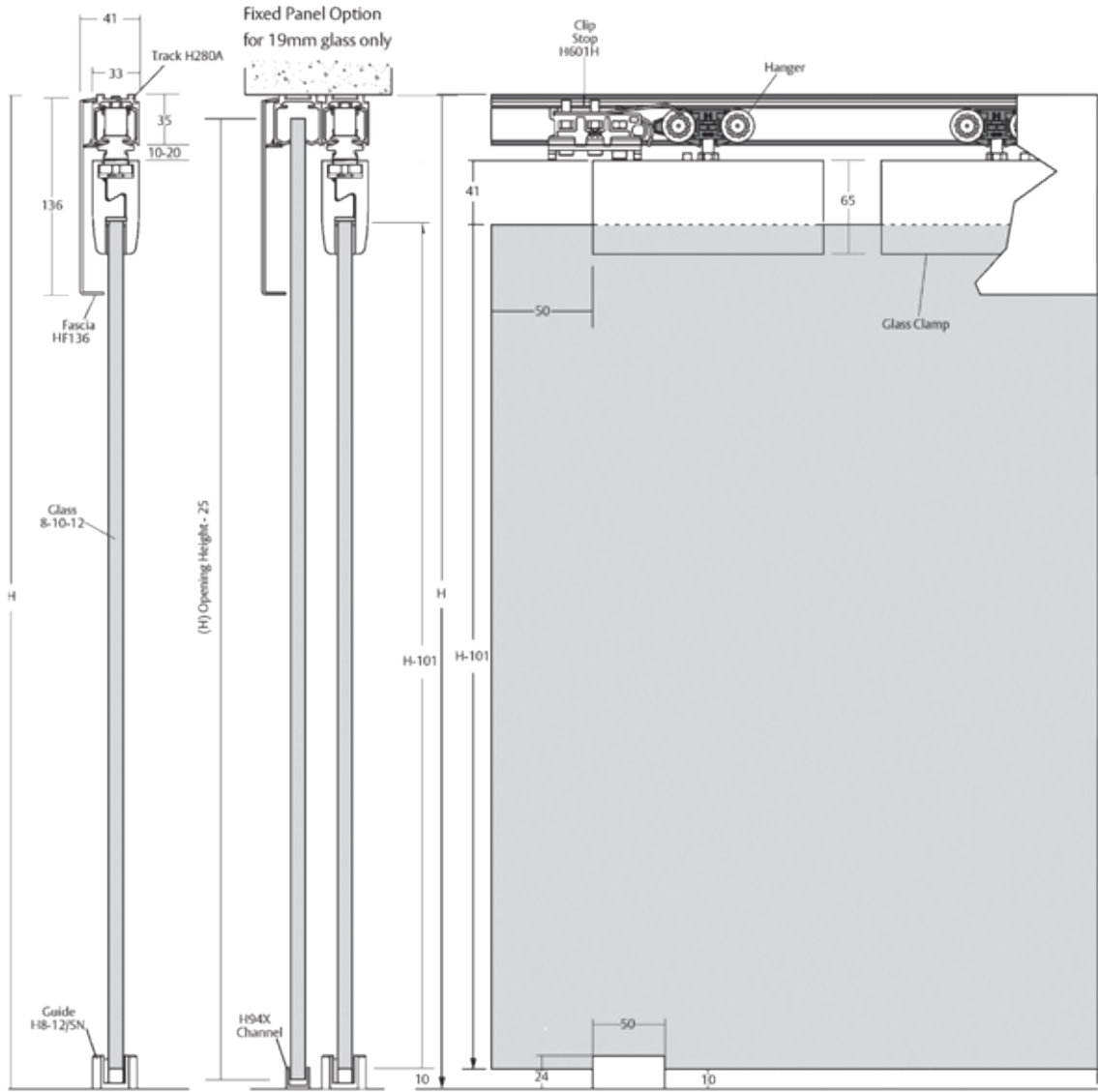
Clamp Set No.	Hardware for
H8/HY/75	75kg 8mm glass door
H10/HY/75	75kg 10mm glass door
H12/HY/75	75kg 12mm glass door

HARDWARE SPECIFICATION

Tracks	H280A	Aluminium (2000, 3000, 4000 & 6000mm lengths)
	H280AN	Anodised aluminium (2000, 3000, 4000 & 6000mm lengths)
Brackets	H281A	Face fixed aluminium (for aluminium track)
	H281AX	End and jointing bracket aluminium (for aluminium track) Spacing 275mm centres (maximum)
Guide	H8-12/SN	Brushed stainless steel adjustable floor guide to suit 8, 10 or 12mm glass
Fascia	HF136	Fascia for soffit fixed applications
Accessories		
Handles	Refer to your Lockwood Catalogue for a full range of handles	



NOT TO SCALE



REFER TO HUSKY INSTRUCTIONS FOR GENERAL TRACK INSTALLATION DETAILS

HENDERSON

VELARO

For top hung glass sliding doors. Max 80kg each leaf.

APPLICATION

- Stylish design with a modern and minimalistic finish, all parts concealed within the track
- Designed for glass doors of up to 80kg and suits 8, 10 and 12mm door thicknesses
- For interior residential or commercial applications
- Ideal for soffit, soffit panel and face fixed installations
- Polymer rollers and brush strip within the track ensure a quiet and smooth operation
- High quality stainless steel hangers and brackets
- Compact glass clamp requires no holes in glass panels

DOOR SPECIFICATION

Track System	Velaro	Glass Weight
For Individual Doors:		Value is approximate based on
Max Door Weight	80kg	8mm glass panel = 20kg/m ²
Max Door Width	1200mm	10mm glass panel = 25kg/m ²
Door Thickness	8, 10, 12mm	12mm glass panel = 30kg/m ²
Max Door Height	2500mm	

STANDARD SETS AND PACK

Sets comprise of 2 clamps with gaskets, 2 wheel carriages (handed), 2 clip stops & 1 brushed stainless steel adjustable floor guide

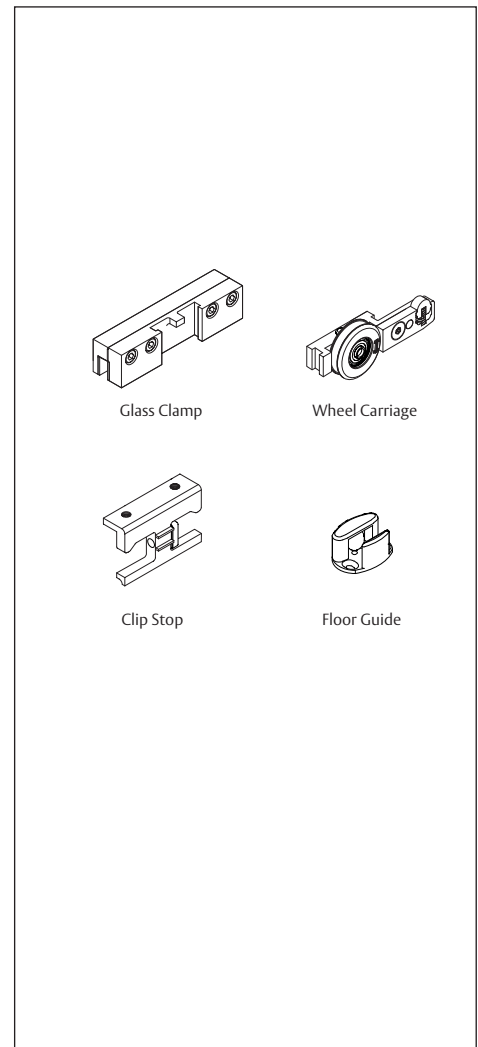
Clamp Set No.	Hardware for
HV80/10	1 door
HV80/12	1 door

HARDWARE SPECIFICATION

Tracks	HV80FF	Anodised aluminium face fix track (2000, 2500, 3000, 3500, 4000 & 5000mm lengths)
	HV80SF	Anodised aluminium soffit fix track (2000, 2500, 3000, 3500, 4000 & 5000mm lengths)
	HV80FP	Anodised aluminium fixed panel track (2000, 2500, 3000, 3500, 4000 & 5000mm lengths) <i>Lengths include brush strips and end caps</i>
Guide	H8-12/SN	Brushed stainless steel adjustable floor guide to suit 8, 10 or 12mm glass

Accessories

Handles Refer to your **Lockwood Catalogue** for a full range of handles



HENDERSON

NOT TO SCALE



VELARO SOFT STOP

For top hung glass sliding doors. Max 80kg each leaf.

APPLICATION

- Stylish design with a modern and minimalistic finish, all parts concealed within the track
- The soft stop decelerates sliding glass panels and pulls them to their final position
- Single and double dampers available
- Designed for glass doors of up to 80kg and suits 8, 10 and 12mm door thicknesses
- For interior residential or commercial applications
- Ideal for soffit, soffit panel and face fixed installations
- Polymer rollers and brush strip within the track ensure a quiet and smooth operation
- High quality stainless steel hangers and brackets
- Compact glass clamp requires no holes in glass panels

DOOR SPECIFICATION

Track System	Velaro
For Individual Door Leaves:	
Max Door Weight	80kg
Max Door Width	1200mm
Glass Thickness	8, 10, 12mm
Max Door Height	2500mm

Glass Weight
Value is approximate based on
8mm glass panel = 20kg/m ²
10mm glass panel = 25kg/m ²
12mm glass panel = 30kg/m ²

Single damper	
Min Panel Width	806mm
Double damper	
Min panel width	1140mm

STANDARD SINGLE DAMPER SETS AND PACK

Sets comprise of 2 clamps with gaskets, LH and RH wheel carriage, single damper assembly
Activation bracket, end stop block, floor guide

8mm	HVS80/8
10mm	HVS8/10
12mm	HVS8/12

STANDARD DOUBLE DAMPER SETS AND PACK

Sets comprise of 2 clamps with gaskets, LH and RH wheel carriage, double damper assembly
Activation bracket, end stop block, floor guide

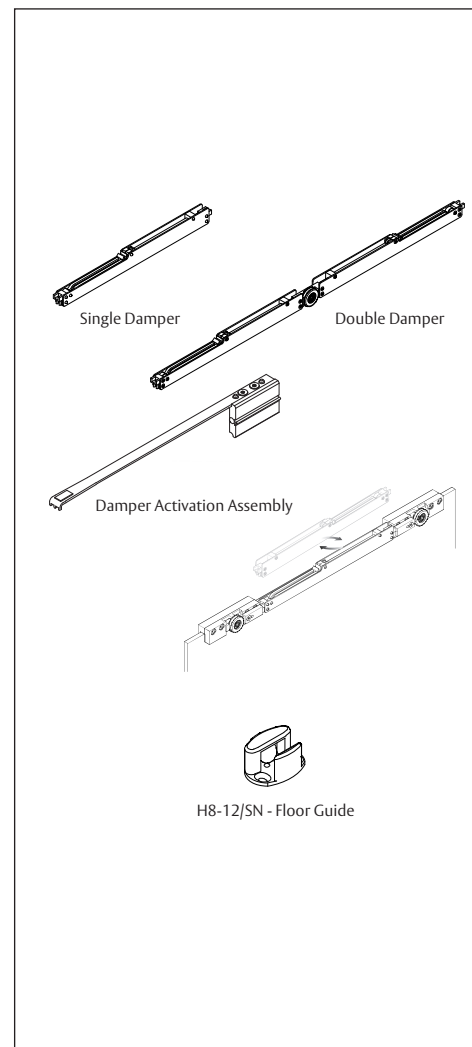
8mm	HVD80/8
10mm	HVD8/10
12mm	HVD8/12

HARDWARE SPECIFICATION

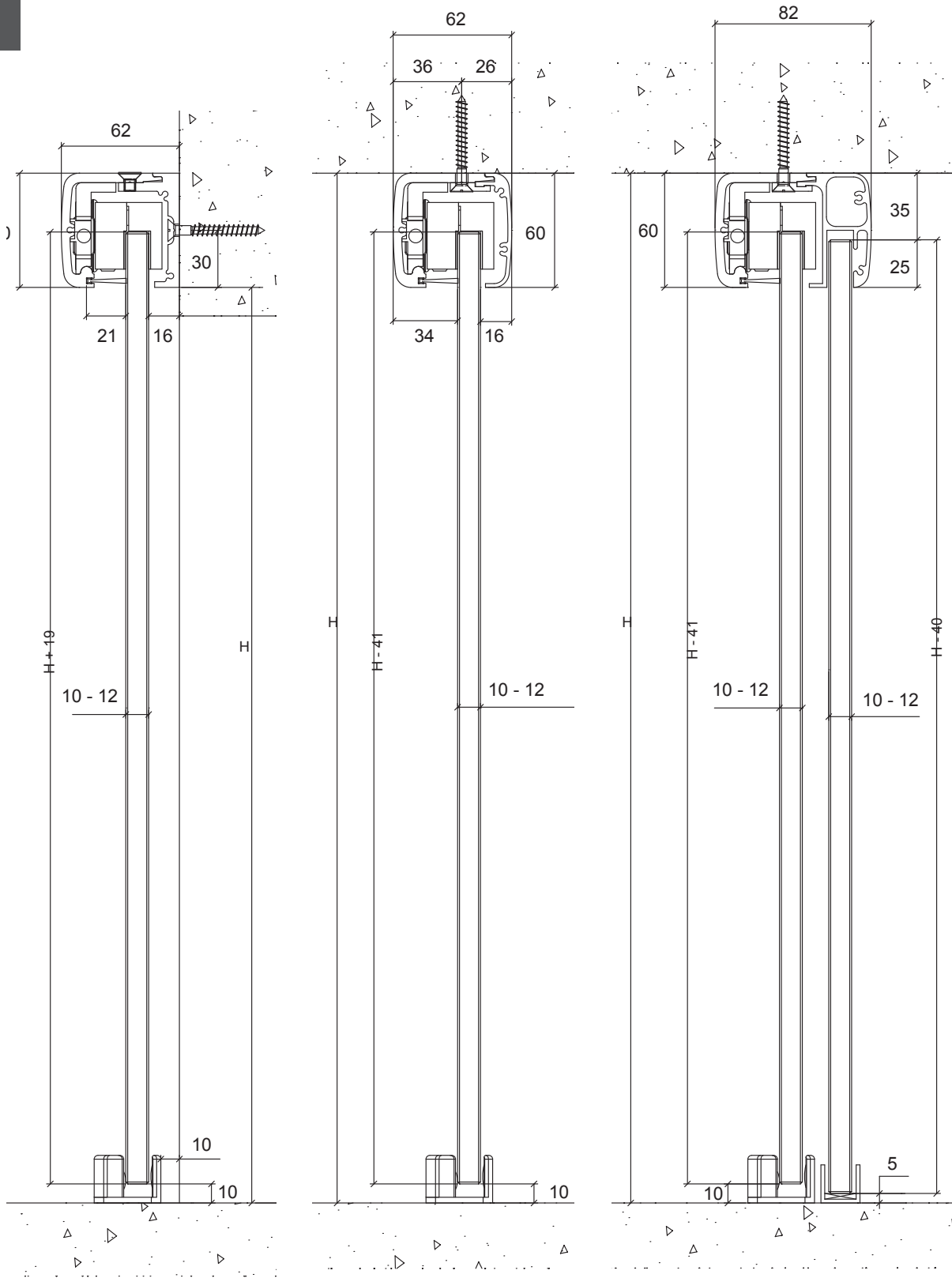
Tracks	HV80FF	Anodised aluminium face fix track (2000, 2500, 3000, 3500, 4000 & 5000mm lengths)
	HV80SF	Anodised aluminium soffit fix track (2000, 2500, 3000, 3500, 4000 & 5000mm lengths)
	HV80FP	Anodised aluminium fixed panel track (2000, 2500, 3000, 3500, 4000 & 5000mm lengths)
		Lengths include brush strips and end caps
Guide	H8-12/SN	Brushed stainless steel adjustable floor guide to suit 8, 10 or 12mm glass

Accessories

Handles Refer to your **Lockwood Catalogue** for a full range of handles



HENDERSON



H50B

ASSA ABLOY New Zealand Ltd. PO Box 100407, North Shore, Auckland 0745 • 6 Armstrong Road, Albany, Auckland 0632, New Zealand
 Within New Zealand: Tel 09 448 9188 Fax 415 7889 www.assaabloy.co.nz • Online Catalogue: www.assaabloycatalogue.co.nz

H50b

ISSUE 2/0619

SIENNA GLASS

For top hung glass sliding doors. Max 120kg each leaf.

APPLICATION

- Elegant frameless glass door system that creates a minimalistic look
- Designed for glass doors of up to 120kg and suits 8, 10 and 12mm door thicknesses
- Ideal for residential or commercial applications
- Rollers have been engineered to run effortlessly along a brushed stainless steel track
- Stops are positioned on the track to limit door travel
- High quality stainless steel hangers and brackets

DOOR SPECIFICATION

Track System	Sienna
For Individual Doors:	
Max Door Weight	120kg
Min Door Width	700mm
Door Thickness	8, 10, 12mm
Max Door Height	2500mm

Glass Weight
Value is approximate based on
8mm glass panel = 20kg/m ²
10mm glass panel = 25kg/m ²
12mm glass panel = 30kg/m ²

STANDARD SETS AND PACK

Sets comprise of 2 hangers, 2 door stops (left & right), one guide & 2 bar end caps

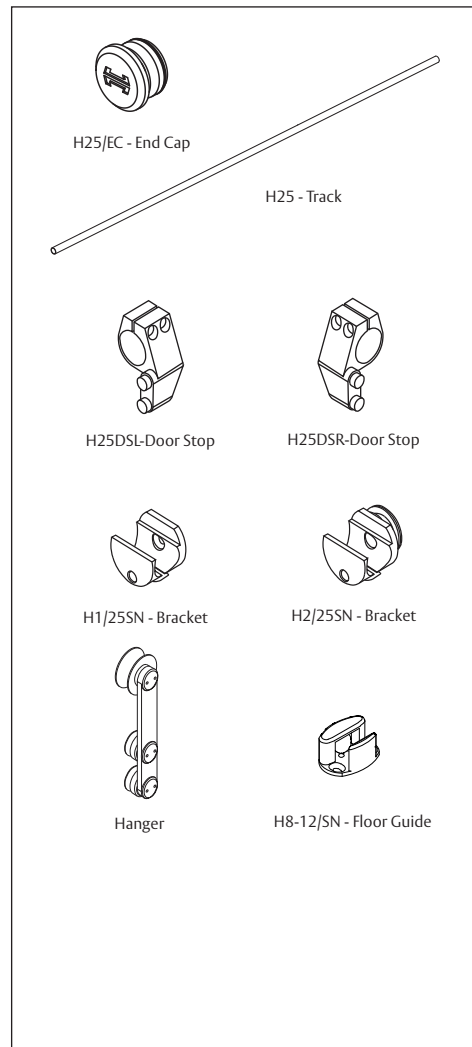
Pack No.	Hardware for
HSN120G	1 door

HARDWARE SPECIFICATION

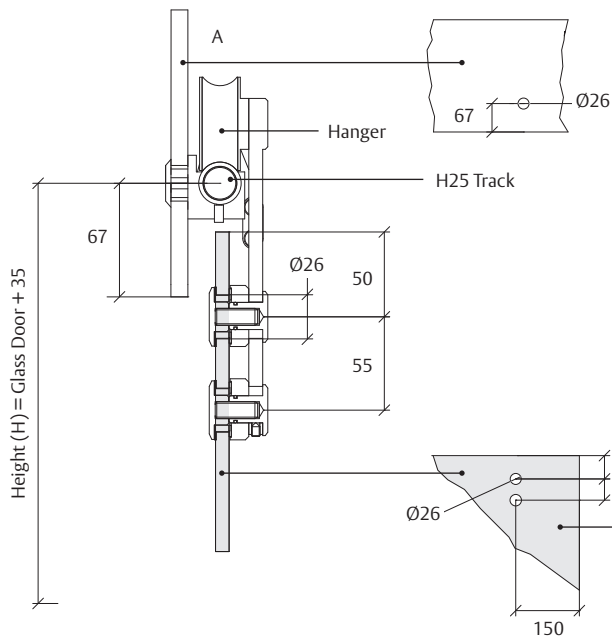
Track	H25	Stainless steel Ø25mm tubular track (2000, 2500, 3000, 3500, 4000 & 5000mm lengths)
Brackets	H1/25SN H2/25SN	Face fixed for solid wall Face fixed for glass wall
Guide	H8-12/SN	Brushed stainless steel adjustable floor guide to suit 8, 10 or 12mm glass
Door Stop	H25DSL H25DSR	Left hand door stop Right hand door stop

Accessories

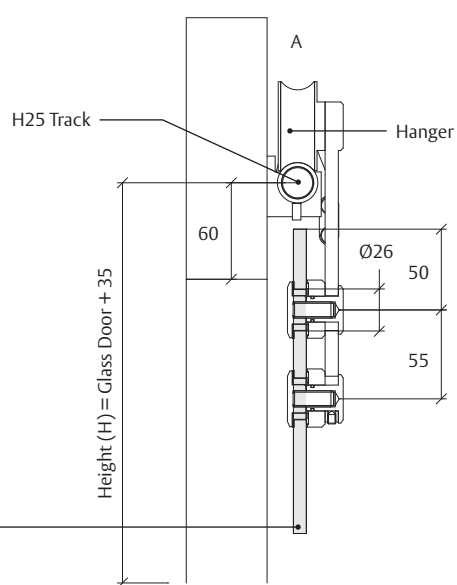
Handles Refer to your **Lockwood Catalogue** for a full range of handles



Fixing Glass to Glass

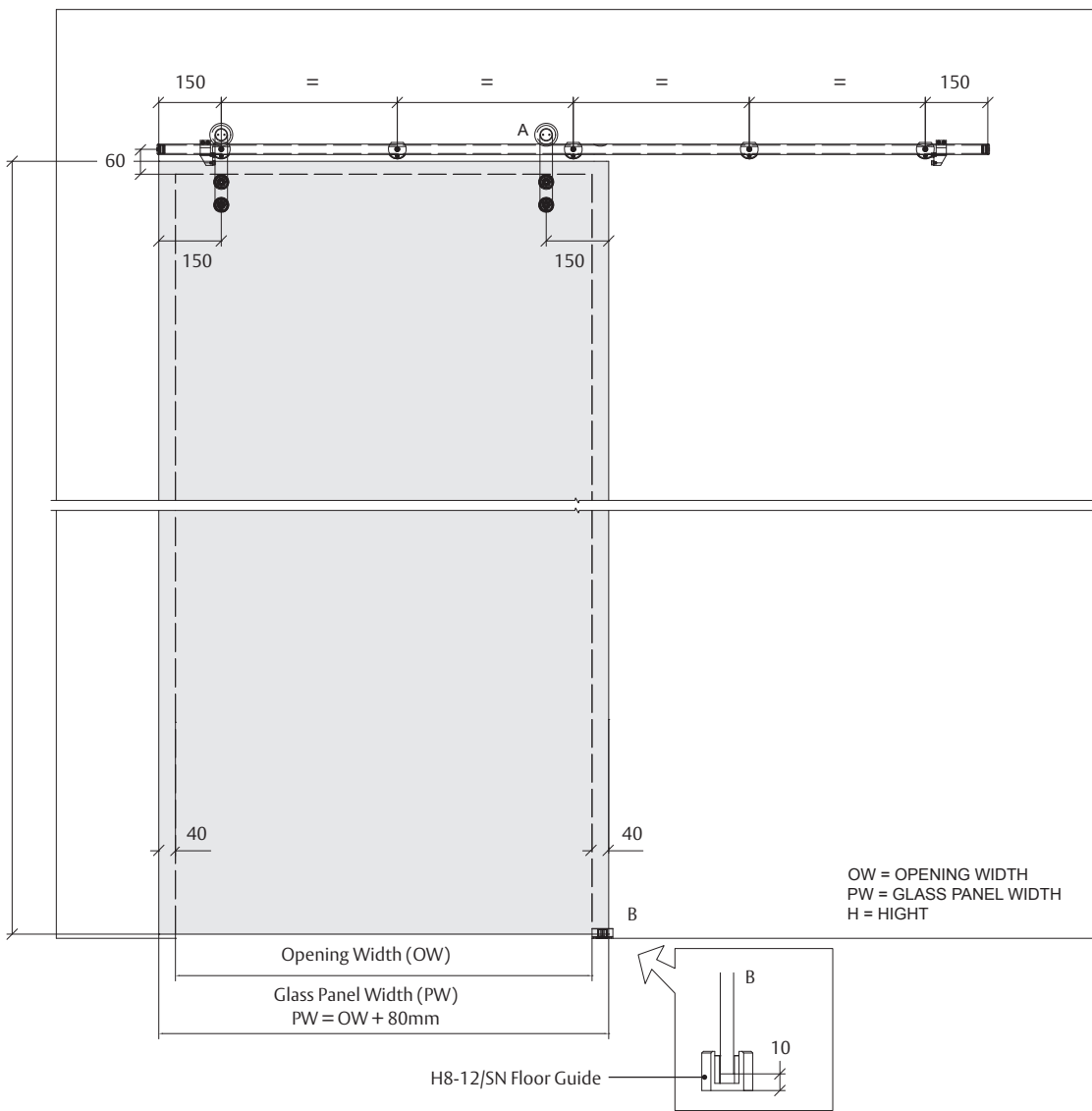


Fixing Glass to Wall



NOT TO SCALE

2500 MAX.



PACER GLASS

For top hung glass sliding doors weighing 130 and 180kg each leaf

APPLICATION

- Ideal solution for commercial glass applications such as office doors and glass partitions
- Quiet operation, aluminium track with nylon rollers
- Glass clamp eliminates the need for holes in glass
- Suitable for both toughened and laminated glass

DOOR SPECIFICATION

Track System	130kg	180kg
For Individual Door Leaves:		
Max Door Weight	130kg	180kg
Max Door Width	3000mm	3000mm
Glass Thickness	8-10-12mm	8-10-12mm
Max Panel Height	3000mm	3000mm

Glass Weight
Value is approximate based on
8mm glass panel = 20kg/m ²
10mm glass panel = 25kg/m ²
12mm glass panel = 30kg/m ²

HARDWARE SPECIFICATION

Track	H600A	Aluminium (2000, 3000, 4000 & 6000mm lengths)
	H600AN	Aluminium anodized (2000, 3000, 4000 & 6000mm lengths)
Fixed Glass Panel Profile	HF600FPB	Aluminium bracket to allow glass side light to be fitted
Brackets	H1B	Face fix aluminium
	H1BX	Face fix jointing bracket

Glass Clamp Kits

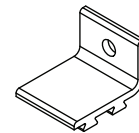
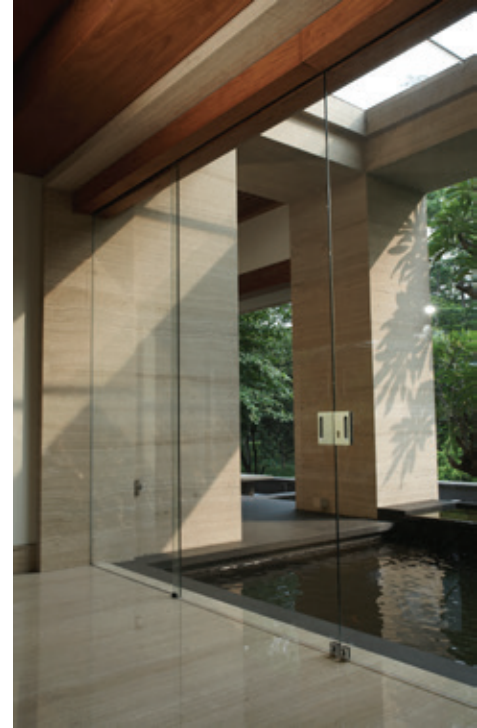
Kits of 2x 56 hangers, 2x glass clamps, 2x 601P clip stops and an adjustable guide

130kg		180kg	
H8/PA/130	130kg	8mm glass	H8/PA/180 180kg 8mm glass
H10/PA/130	130kg	10mm glass	H8/PA/180 180kg 8mm glass
H12/PA/130	130kg	12mm glass	H8/PA/180 180kg 8mm glass

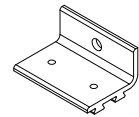
Guides	H8-12/SN	Brushed stainless steel adjustable floor guide for 8-10-12mm glass
Facias	HF160X	Facia for soffit fixed track
	HF200X	Facia for face fixed track

Accessories

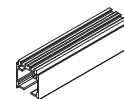
Handles Refer to your **Lockwood Catalogue** for a full range of handles



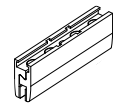
H1B - Bracket



H1BX - Bracket



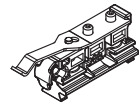
H600 - Track



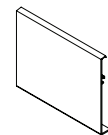
Pacer Glass Clamp



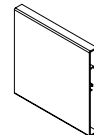
H56 - Hanger



H601P - Pacer Clip Stop



HF160X - Facia



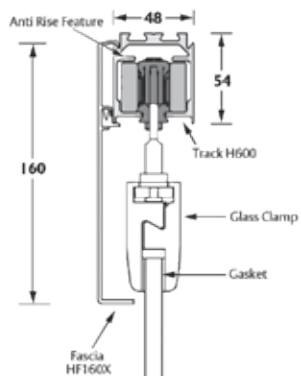
HF200X - Facia



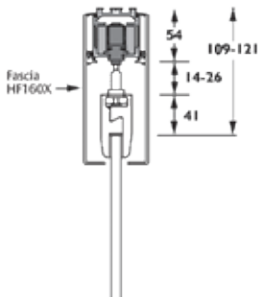
H8-12/SN - Floor Guide

HENDERSON

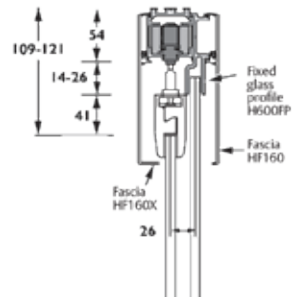
HENDERSON



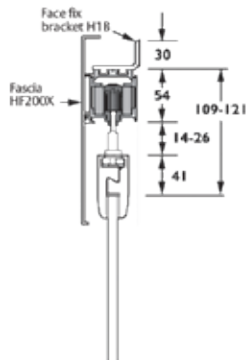
Pacer double fascia



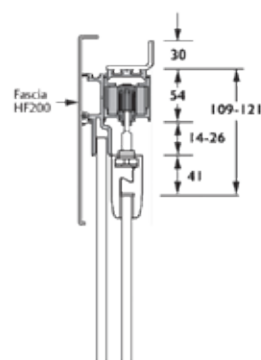
Pacer fixed panel



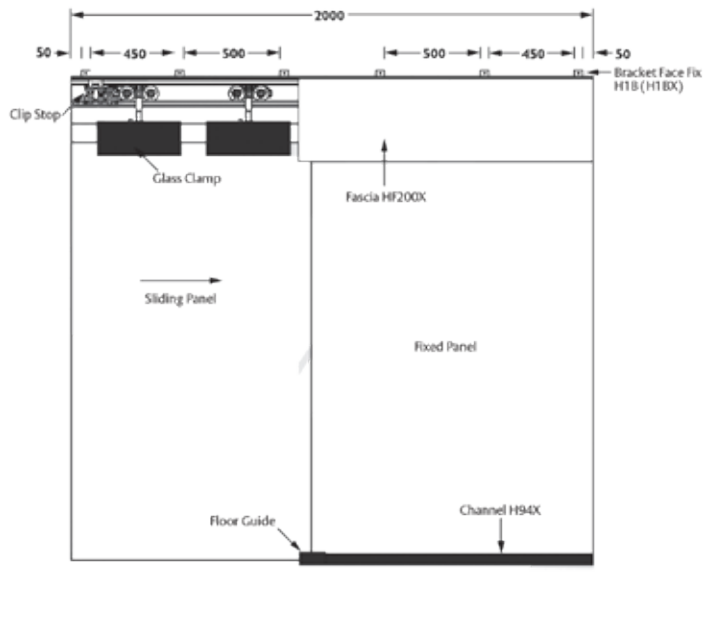
Pacer bracket



Pacer fixed panel fascia bracket



NOT TO SCALE



TRAVERSE GLASS

For top hung straight sliding and multidirectional glass doors.
Max 250kg each leaf.

APPLICATION

- Ideally suited to Hotels, conference centres, shop fronts and showrooms that require
- high performance and an attractive finish
- The system is designed for internal heavy panels that can either be straight sliding or applications where 135° movement is required.
- Suitable for individual sliding doors to dedicated areas usually on either side of an opening where folding doors would not be suitable.
- Floor channel is not necessary since the doors can be secured in position by stops, flush bolts or locks.
- To cover any width of opening, any number of panels can be used.

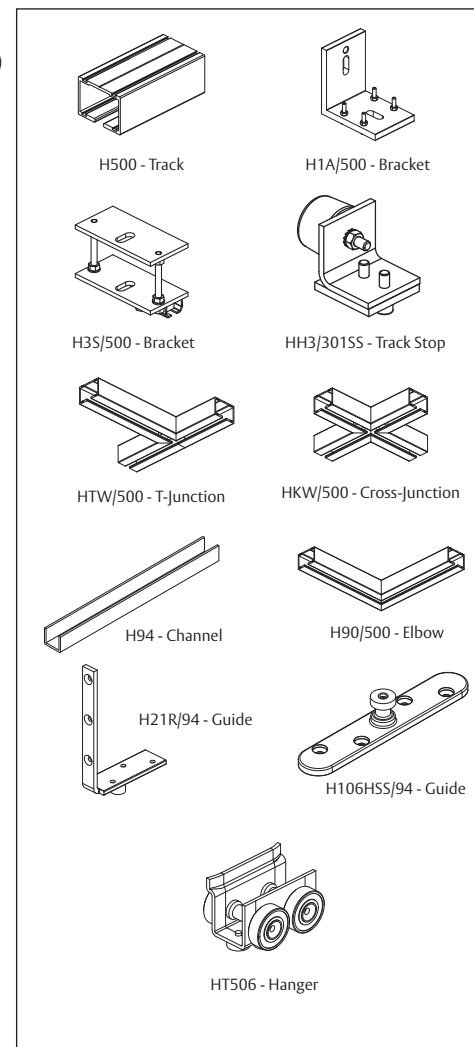
DOOR SPECIFICATION

Track System	Traverse	Glass Weight
For Individual Door Leaves:		Value is approximate based on
Max Door Weight	250kg	8mm glass panel = 20kg/m ²
Min Door Width	1000mm	10mm glass panel = 25kg/m ²
Door Thickness	10 & 12mm	12mm glass panel = 30kg/m ²
Max Door Height	3000mm	

HARDWARE SPECIFICATION

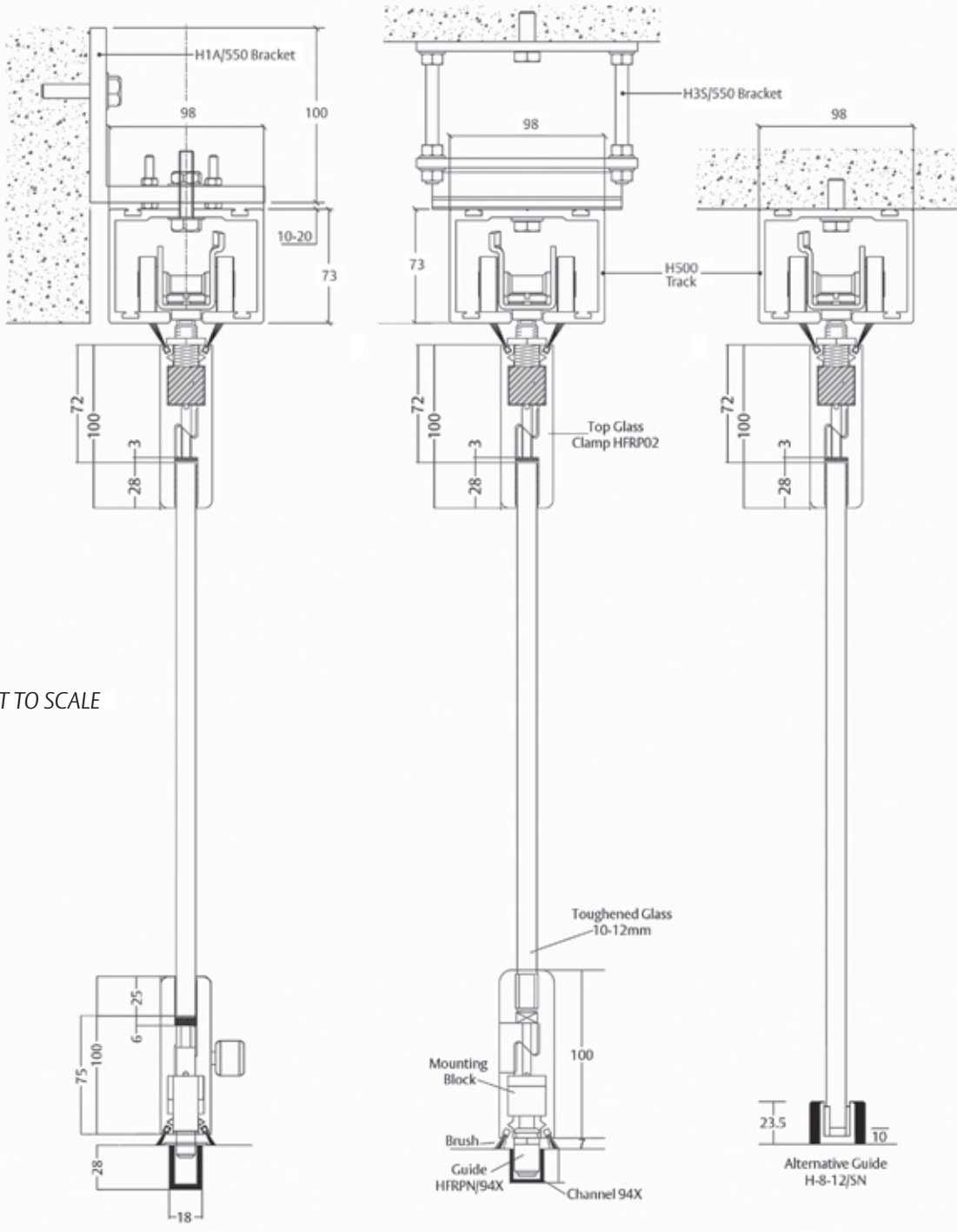
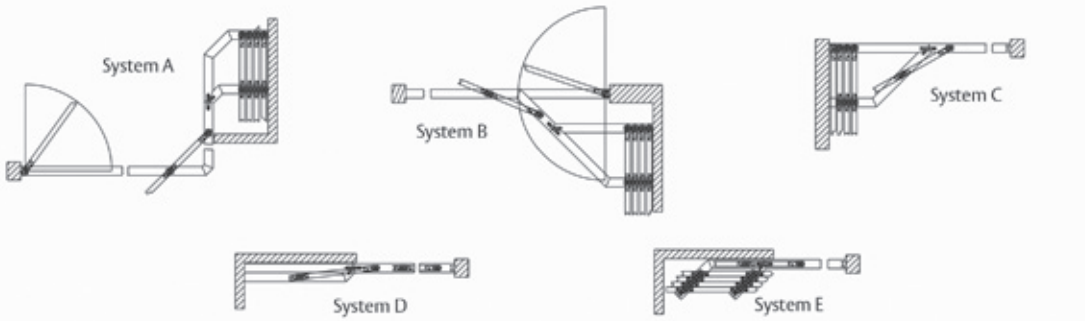
Track	H500	Anodised Aluminium (2000, 3000, 4000 & 6000mm lengths)
Track Intersects & Elbows	H45(LorR)/500 H135/500 H90L/500	Anodised Aluminium 135° intersect (LH or RH) Anodised Aluminium elbow Anodised Aluminium 90° swept elbow for 135° hanger Anodised Aluminium 90° swept elbow for 135 hanger (LH or RH)
Brackets	H1A/500 H3S/500	Face fixed Soffit fixed
Hangers	HT506	Hanger with mounting block
Profile Rail	FRP02 FRPN/94 FRE12 FRE13	Aluminium anodised glass clamp top rail Aluminium anodised glass clamp bottom rail Glass top rail end cap Glass bottom rail end cap
Pivots	H21/550GP	Glass pivot set
Channels	H94X H94PSC H94T	Aluminium (2000, 3000, 4000 & 6000mm lengths) Aluminium supporting channel and polypropylene (2000, 3000, 4000 & 6000mm lengths) Aluminium threshold (2000, 3000, 4000 & 6000mm lengths)
Track Stop	HH3/301SS	Track stop stainless steel
Brush Strip	HB010 HB012	Brush strip 9mm Brush strip 12mm

Accessories



HENDERSON

HENDERSON



NOT TO SCALE

FLEXIROL GLASS

For top hung straight sliding and multidirectional glass doors.
Max 500kg each leaf.

APPLICATION

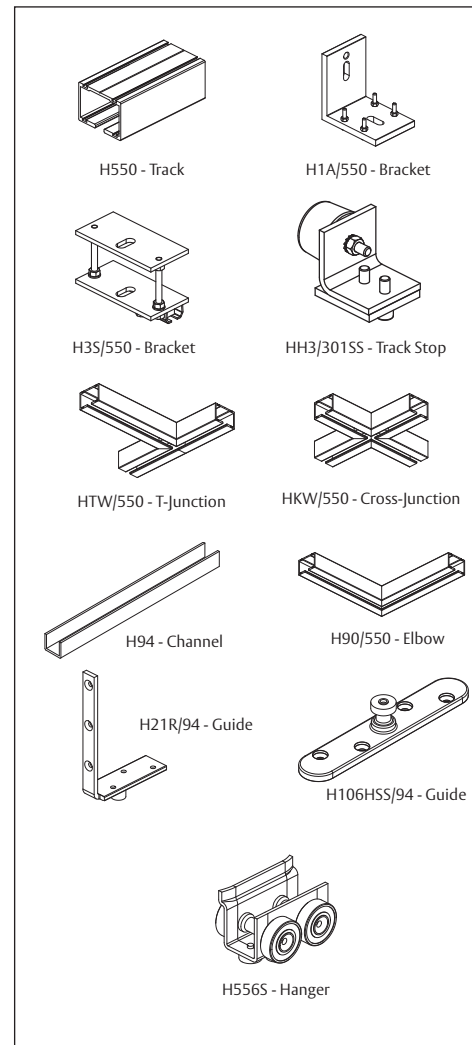
- Ideally suited to Hotels, conference centres shop fronts and showrooms that require high performance and an attractive finish
- The system is designed for internal heavy panels that can either be straight sliding or applications where 135 movement is required
- Suitable for individual sliding doors to dedicated areas usually on either side of an opening where folding doors would not be suitable
- Floor channel is not necessary since the doors can be secured in position by stops, flush bolts or locks
- To cover any width of opening, any number of panels can be used

DOOR SPECIFICATION

Track System	Flexirol	Glass Weight
For Individual Door Leaves:		
Max Door Weight	500kg	Value is approximate based on 8mm glass panel = 20kg/m ²
Min Door Width	1000mm	10mm glass panel = 25kg/m ²
Door Thickness	10 & 12mm	12mm glass panel = 30kg/m ²
Max Door Height	4000mm	

HARDWARE SPECIFICATION

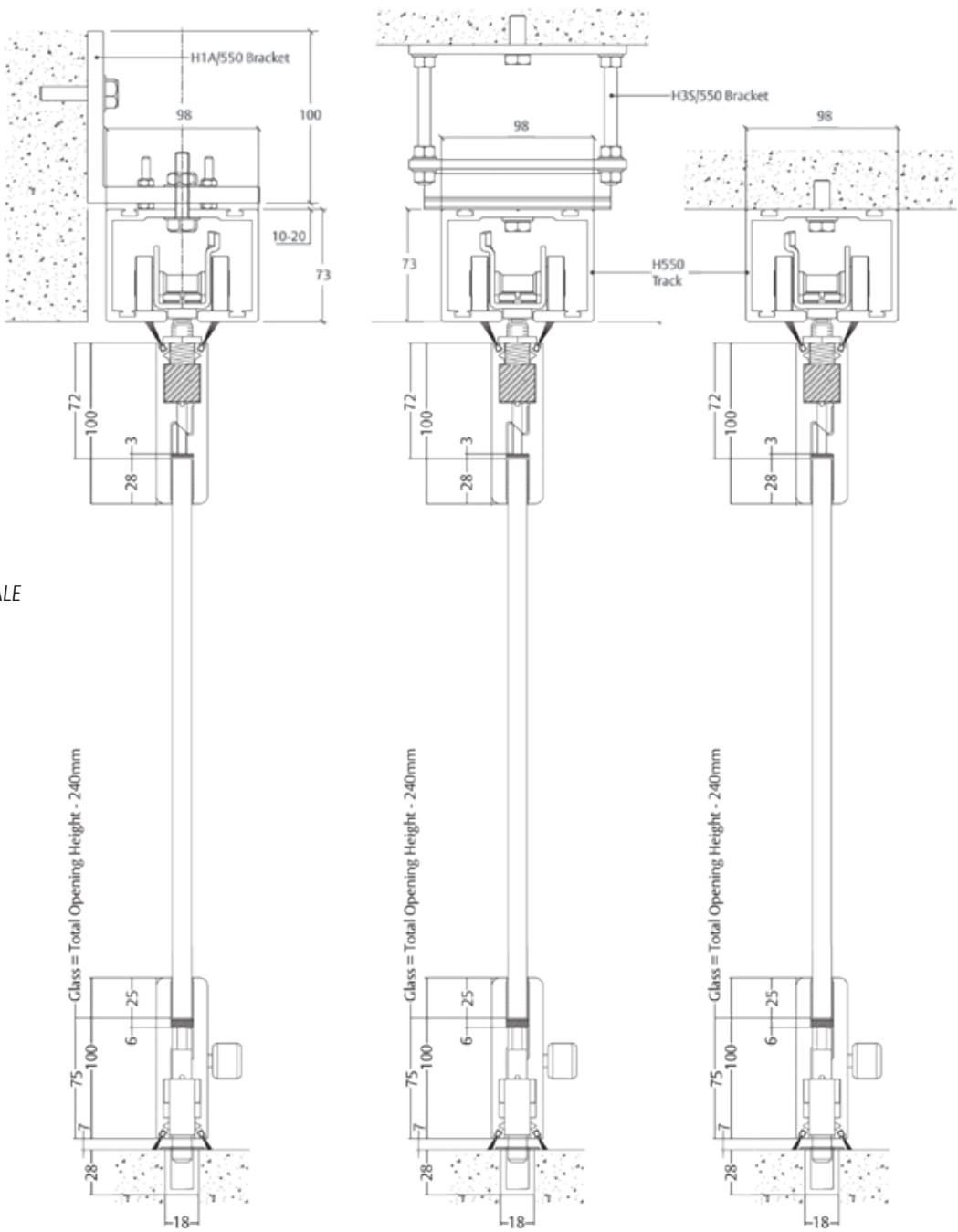
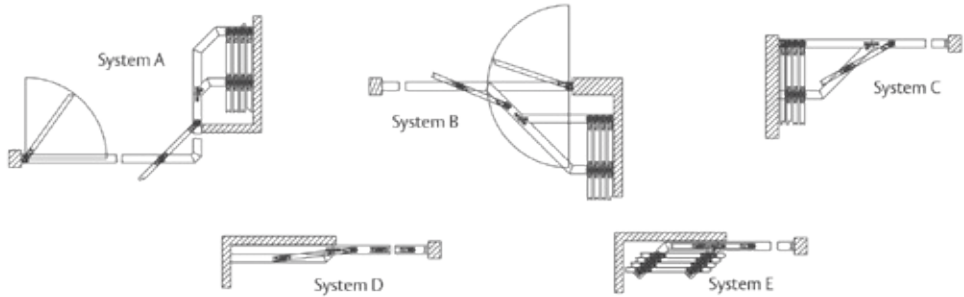
Track	H550	Anodised Aluminium (2000, 3000, 4000 & 6000mm lengths) See Components Section for full range of finishes
Track Intersects & Elbows	H45(LorR)/550 H135/550 H90L/550	Anodised Aluminium 135° intersect (LH or RH) Anodised Aluminium elbow Anodised Aluminium 90° swept elbow for 135° hanger Anodised Aluminium 90° swept elbow for 135 hanger (LH or RH)
Brackets	H1A/550 H3S/550	Face fixed Soffit fixed
Hangers	H556S	Hanger with mounting block
Profile Rail	FRP02 FRPN/94 FRE12 FRE13	Aluminium anodised glass profile clamp top rail Aluminium anodised glass profile clamp bottom rail Glass profile top rail end cap Glass profile bottom rail end cap
Pivots	H21/550GP	Glass pivot set
Channels	H94X H94PSC H94T	Aluminium (2000, 3000, 4000 & 6000mm lengths) Aluminium supporting channel and polypropylene (2000, 3000, 4000 & 6000mm lengths) Aluminium threshold (2000, 3000, 4000, 6000mm lengths)
Track Stop	HH3/301SS	Track stop stainless steel
Brush Strip	HB010 HB012	Brush strip 9mm Brush strip 12mm



HENDERSON



HENDERSON



NOT TO SCALE

SECTION I

automation



HENDERSON

AUTOMATION

Section Index and General Guide

Select system for your top hung application.

APPLICATION	Residential	Commercial	Industrial	Max. Door	Product	Data Sheet
Residential						
For a wide variety of openings and applications	<input type="checkbox"/>	<input type="checkbox"/>	<input type="checkbox"/>	80kg	Evolve 80	I20
For larger openings, doorways and room dividers	<input type="checkbox"/>	<input type="checkbox"/>	<input type="checkbox"/>	80kg	Evolve 80 SIM	I30

HENDERSON

EVOLVE 80

Automation system for husky sliding door system. Max 80kg

APPLICATION

- Automation can be added to most common installations including soffit and face fix
- Applications on timber, composite and metal doors to 80kg
- Designed for quick and easy installation and commission
- Convenient operation with Obstacle detection and safety low voltage
- A wide range of wired and wireless accessories to enhance the operation of the unit

GEAR SPECIFICATION

Kit	Timber	Glass
	HE80/2000	H10/E80/2000 H12/E80/2000
Track - anodised aluminium		
4 Wheel Hangers	284	284
Floor guide	102N	8-12/SN
Track stop	287	287
Face fix brackets	281A & 281AX	281A & 281AX

DOOR SPECIFICATION

Track System	Evolve 80	
For Individual Doors Leaves:		
Maximum Leaf weight	80kg	80kg
Door thickness	30/55mm	10 or 12mm only
Door material	Timber	Toughened glass only
Maximum leaf width	1100mm	1100mm
Minimum leaf width	750mm	868mm

STANDARD SETS AND PACK

Set comprises of drive unit, tension wheel, drive belt, clutch, power unit, manual transmitter, 2000mm track (H280A), 2 hangers (H284), floor guide (H102N), stop (H287) and face fix brackets (H281A and H281AX).

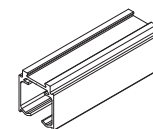
Set No. **HE80/20UK**

DRIVE UNIT SPECIFICATION

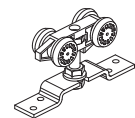
Drive rating	50W
Operation voltage	24VDC safety low voltage via an external power unit protection class IP55
Maximum operating speed	Approximately 0.3m/ per second, variable
Running performance	Soft start and soft stop adjustable
Safety functions	Obstacle detection in both directions and can be decoupled from clutch base on top of the door
Options	Automatic closing with adjustable timed intervals

Optional Accessories

Rocker Switch	HES/WF	Flush white
	HES/AF	Flush aluminium
	HES/WB	Surface mount white
Radar Motion Detector	HER/W	White finish sensor
	HER/S	Aluminium finish sensor
	HER/B	Black finish sensor
Remote Transmitter	HRS/1	1 channel
	HRS/4	4 channel
Fascia	HF128ESIM	Soffit fix fascia
	HF140ESM	Face fix fascia



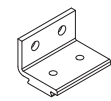
H280A - Track



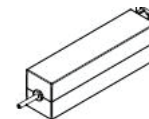
H284 - Hanger



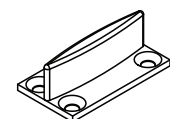
H281A - Bracket



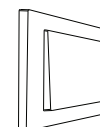
H281AX - Bracket



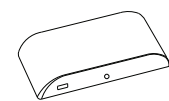
Drive Unit



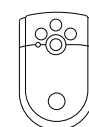
H102N - Floor Guide



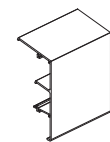
Rocker Switch



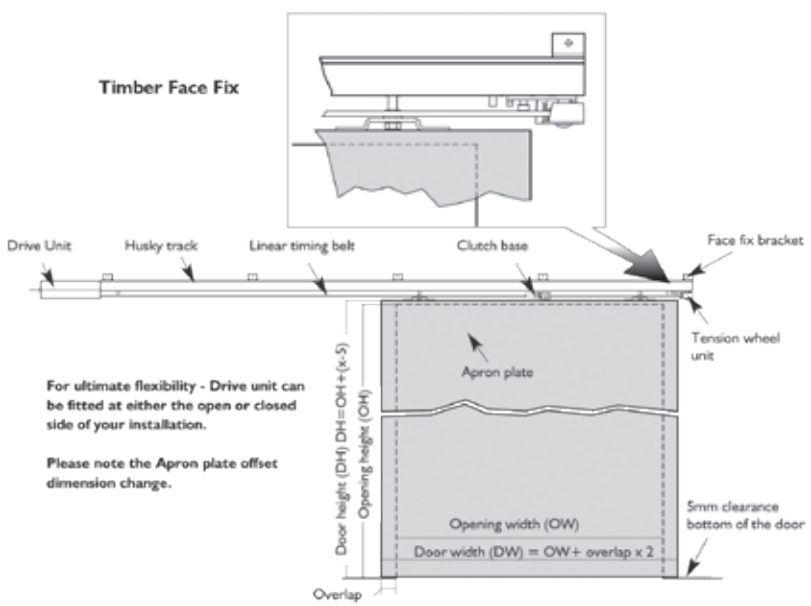
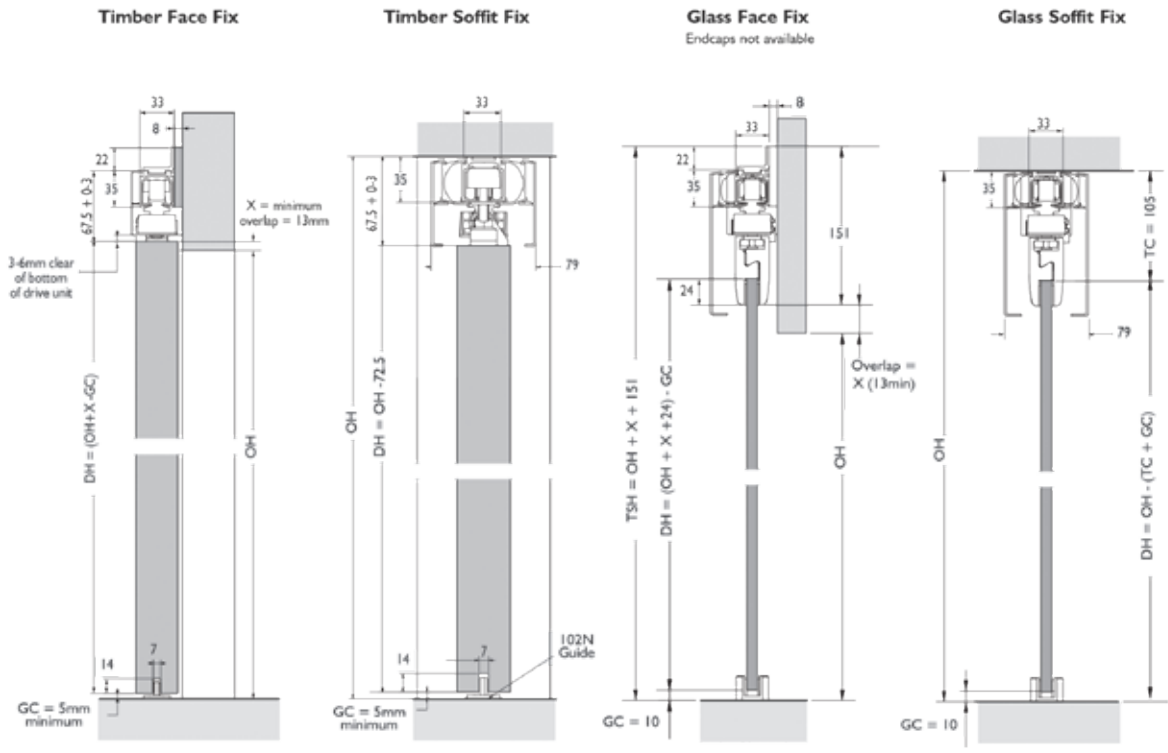
Radar Motion Detector



Remote Transmitter



HF140ESM - Fascia



EVOLVE 80 SIM

Automated system simultaneous action for husky sliding door system. Max 80kg

APPLICATION

- For timber and glass doors
- Automation can be added to most common installations including soffit and face fix
- Applications on timber, composite and metal doors to 40kg each leaf
- Designed for quick and easy installation and commission
- Convenient operation with Obstacle detection and safety low voltage
- A wide range of wired and wireless accessories to enhance the operation of the unit

GEAR SPECIFICATION

Kit	Timber	Glass
	HESIM/4000	H10/ESIM/4000 H12/ESIM/4000
Track - anodised aluminium		
4 Wheel Hangers	284	284
Floor guide	102N	8-12/SN
Track stop	287	287
Face fix brackets	281A & 281AX	281A & 281AX

DOOR SPECIFICATION

Track System	Evolve 80 SIM	
For Individual Doors Leaves:		
Maximum Leaf weight (per leaf)	40kg	40kg
Door thickness	30-50mm	10 or 12mm only
Door material	Timber	Toughened glass only
Maximum leaf width	1100mm	1000mm
Minimum leaf width	750mm	868mm

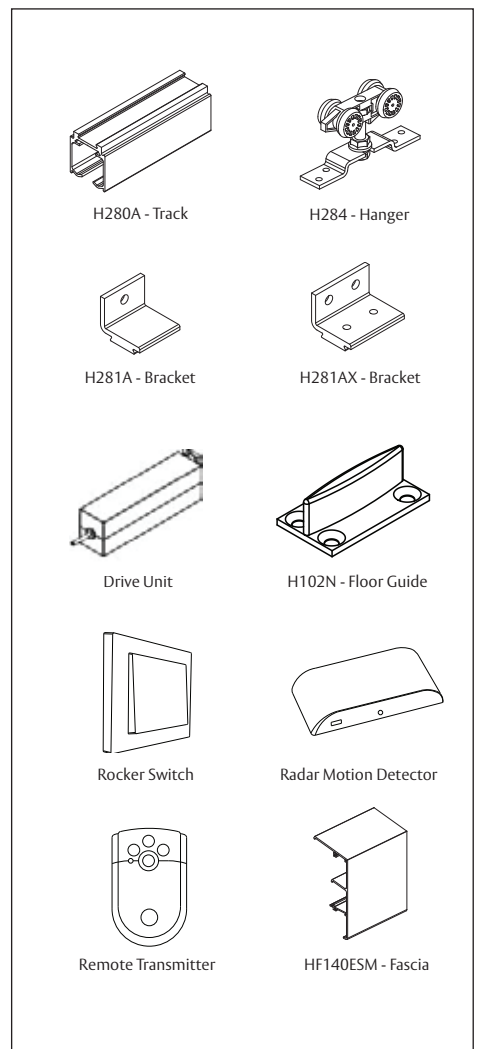
STANDARD SETS AND PACK

Set comprises of drive unit, tension wheel, drive belt, clutch, power unit, manual transmitter, 4000mm track (H280A), 4 hangers (H284), 2 floor guides (H102N), 2 stops (H287) and face fix brackets (H281A and H281AX).

Set No. *HE80/20UK*
 Simultaneous Action Kit *HSIM*

DRIVE UNIT SPECIFICATION

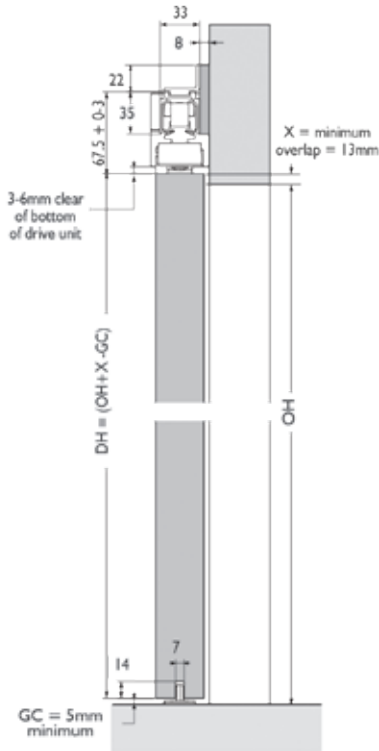
Drive rating	50W
Operation voltage	24VDC safety low voltage via an external power unit protection class IP55
Maximum operating speed	Approximately 0.3m/ per second, variable
Running performance	Soft start and soft stop adjustable
Safety functions	Obstacle detection in both directions and can be decoupled from clutch base on top of the door
Options	Automatic closing with adjustable timed intervals
Optional Accessories	
Rocker Switch	<i>HES/WF</i> Flush white <i>HES/AF</i> Flush aluminium <i>HES/WB</i> Surface mount white
Radar Motion Detector	<i>HER/W</i> White finish sensor <i>HER/S</i> Aluminium finish sensor <i>HER/B</i> Black finish sensor
Remote Transmitter	<i>HRS/1</i> 1 channel <i>HRS/4</i> 4 channel
Fascia	<i>HF128ESIM</i> Soffit fix fascia <i>HF140ESM</i> Face fix fascia



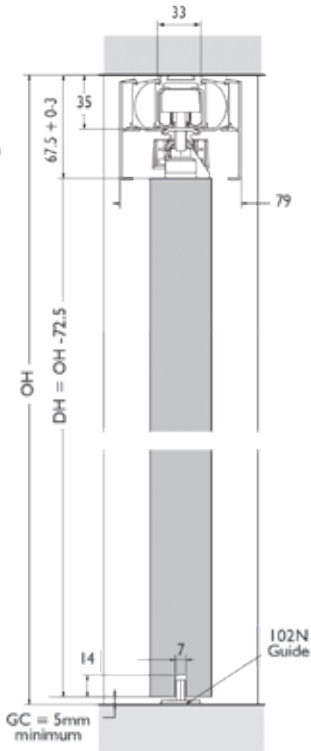
HENDERSON



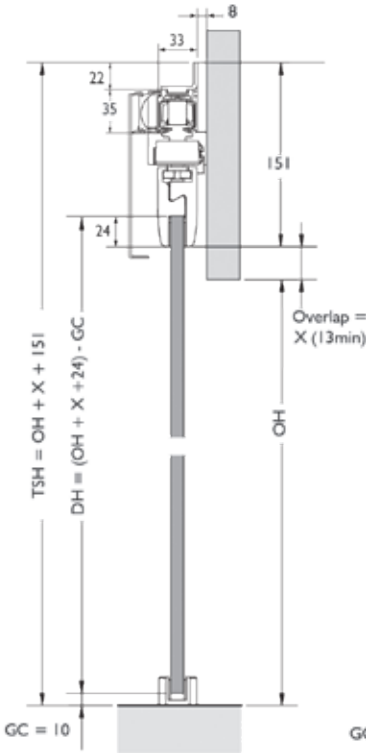
Timber Face Fix



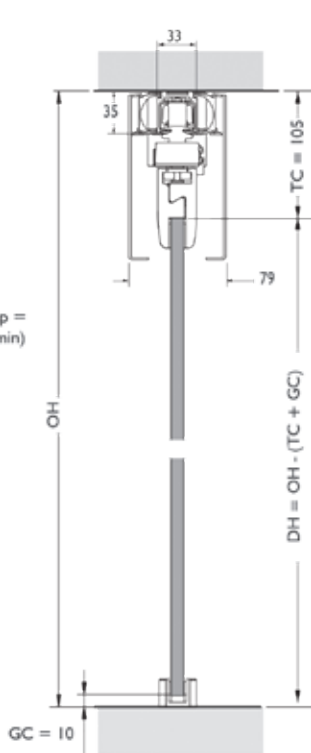
Timber Soffit Fix



Glass Face Fix
Endcaps not available



Glass Soffit Fix





HENDERSON PRODUCT CATALOGUE

Sliding and Folding Door Hardware