

# MANROSE®

## INSTALLATION INSTRUCTIONS

### MRSLF100, MRSLF125, MRSLF150 and MRSLF150T Standard and Timer Extractor Fans

**Switch off mains supply before making any electrical connections.**

**Installation must be supervised by a qualified electrician.**

**A double pole fused spur having contact separation of at least 3mm in all pole must be used and fitted with a 3A fuse.**

**This appliance can be used by children aged from 8 years and above and persons with reduced physical, sensory and mental capabilities or lack of experience and knowledge if they have been given supervision or instruction concerning the use of the appliance in a safe way and understand the hazards involved.**

**Children shall not play with the appliance.**

**Cleaning and user maintenance shall not be made by children without supervision.**

**Precautions must be taken to avoid the back-flow of gases into the room from the open flue of gas or other open-fire appliances when mounted in outside windows or walls.**

**Fan must be disconnected from electrical power before any maintenance is carried out.**

#### **Location**

1. When installing fan through an external wall, an external wall grille must be fitted at all times.
2. For best results this Extractor Fan should be fitted as high on the wall as possible, or if preferred, on the ceiling. Note: Pullcord models should not be installed in a ceiling.
3. When installing a **Timer** fan ensure the electronic circuit board is at the top of the fan.
4. Do not install the unit within a shower cubicle or anywhere else where there is a risk of being sprayed with water (Please see our range of IPX5 or inline fans for these installations).
5. If the fan is installed in a room containing a fuel burning appliance, the installer must ensure that the air replacement is adequate for both the fan and the fuel burning appliance.
6. Where ducted fans are used to handle moisture-laden air, such as a bathroom, a condensation trap should be fitted in any vertical exhaust ducts.

#### **Wiring**

1. Switch off mains supply before making electrical connections. If in any doubt contact a qualified electrician.
2. These units are for fixed wiring only. A flexible cord must not be used. All wiring must be fixed securely and the cable to the fan should be a minimum of 1mm<sup>2</sup> in section. All wiring must comply with current I.E.E. Regulations or local regulations if outside the UK.
3. A double pole fused spur having contact separation of at least 3mm in all pole must be used and fitted with a 3A fuse.
4. This fan is double insulated and does not require an earth connection.
5. The fan should not be accessible to a person using either the shower or the bath.

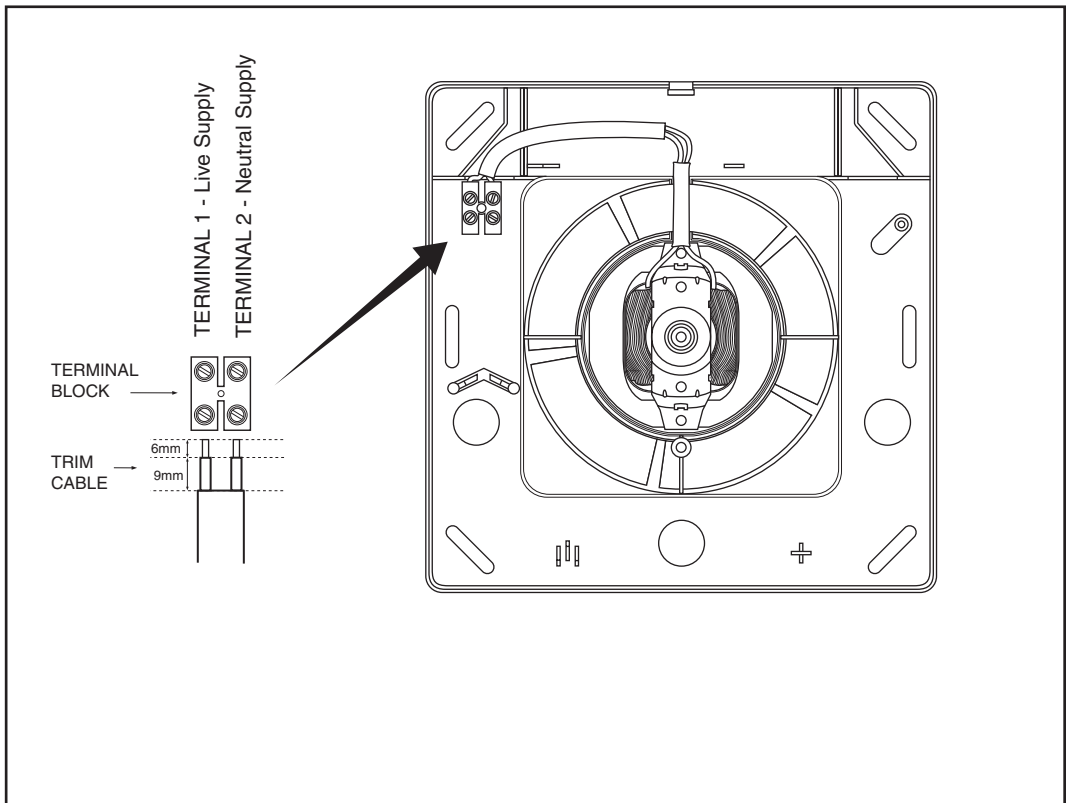
## Installation

1. Cut a hole in the wall to suit the fan and ducting. If the fan is to be fixed in the ceiling ensure that the hole is between the joists.
2. Fix ducting flush to the plaster of the wall or ceiling.
3. Remove the front cover. To remove the front cover, first remove the hole plug, then using screw driver, remove the self tapping screw, the cover can then be unclipped.
4. Hold the body of the fan against the wall or ceiling and mark the four screw holes and the cable entry.  
**IMPORTANT:** Ensure that the fan is square on the wall or ceiling.
5. Bring the power cable into position, as marked. Allow an extra 230mm (9") protruding to facilitate connection.  
Connect as shown in the following diagrams.
6. Replace front cover and secure using the front cover screw and insert the hole plug in screw hole.  
(screw and plug clipped on chassis)

Fan Size	Hole Size
100mm / 4"	112mm / 4 <sup>1/2</sup> "
125mm / 5"	140mm / 5 <sup>1/2</sup> "
150mm / 6"	173mm / 6 <sup>3/4</sup> "

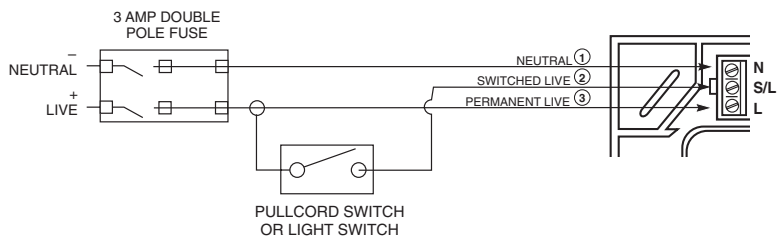
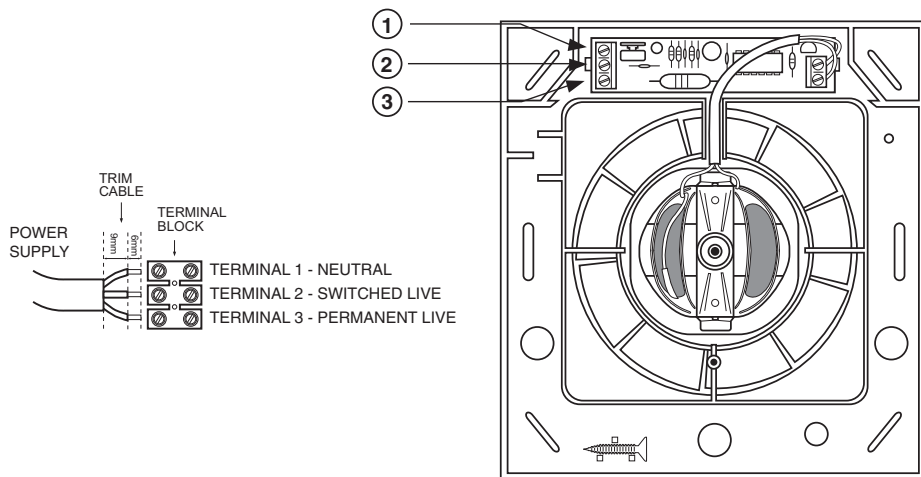
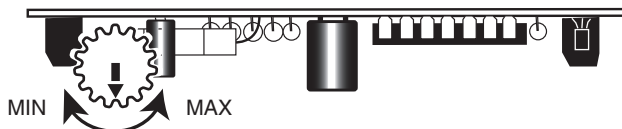
## Standard models

Standard fans can be wired into the lighting circuit to turn and off with the lights or into a remote pullcord switch for manual activation.



## Timer Adjustment

The Timer fan will run for approximately one minute after it has been switched off. This time delay can be increased by firstly switching off the power to the fan. Remove the outer cover and carefully turn the thumb wheel left / clockwise to reduce the time and right / anti-clockwise to increase the time. **Only adjust with power switched off.** The minimum the timer will run for is approximately 1 minute and the maximum is about 40 minutes. **NB Timer delay is adjustable as indicated on the timer strip cover.**



# **MANROSE<sup>®</sup>**

**MANROSE  
BY VENTAIR PTY LTD  
4 Capital Place  
Carrum Downs VIC 3201  
Made in the UK.**